

# HONDA

## PARTS CATALOG

VF1100C'83,'84,'85,'86

V65 Magna

AMERICAN HONDA MOTOR CO., INC.

May, 1994

Second Edition

© American Honda Motor Co., Inc. 1994

PRINTED IN USA

14MB4DM

### TABLE OF CONTENTS

	<b>Grid</b>	<b>Page</b>
How To Use This Catalog .....	A 2	iv
Serial Numbers .....	A 3	vi
Construction Of Vehicle Identification Number (V.I.N.) ..	A 3	vii
Color Tables .....	A 4	viii
Manuals .....	A 4	ix
Model ID Photos .....	A 5	x
Specifications .....	A 5	xi
Bulk Hose .....	A 7	xiv
Commonly Required Replacement Parts .....	A 8	xvi
Contents By Page No. Sequence .....	A 10	xx
Contents In Alphabetical Order .....	A 10	1
<b>Part Groups</b>		
Engine Group .....	1-B1	2
Frame Group .....	1-F1	78
<b>Index</b>		
Part Number Index .....	1-L1	206
Description Index .....	2-B1	222

© American Honda Motor Co., Inc. 1994 iii

GRID

A1

# HOW TO USE THIS CATALOG

This parts catalog is to be used when ordering replacement parts for the model (s) specified on the microfiche strip

## CATALOG PAGE BREAKDOWN

MODEL(S)	MODEL APPLICATION						AREA CODE	ENGINE SERIAL NUMBER	QTY REQ	PART NUMBER	HONDA CODE
	1	1	1	1	1	1					
	9	8	8	8	8	8					
	4	5	6	7	4	5	6	7			

REF. NO.	BLOCK NO.	E-1	DESCRIPTION	3	4	5	6	7	8
1	2	3a		3	4	5	6	7	8

**1 REF NO** — Reference number corresponding with the reference numbers on the illustrations \*  
 \* All illustrations are representative only and do not necessarily correspond exactly to the actual part. "N" signifies the part is not illustrated

**2 DESCRIPTION** — Describes the part for the related part number

Abbreviations

ASSY	- Assembly	L (100L)	- Link (100 Link)
COMP	- Complete	A C	- Alternating Current
R	- Right		
L	- Left	D C	- Direct Current
STD	- Standard	IN	- Inlet
MM	- Millimeter	EX	- Exhaust
G	- Gram	FR	- Front
T (22T)	- Tooth (22 Teeth)	RR	- Rear
A	- Ampere	HEX	- Hexagonal
V	- Volt	A M	- Attaching Mark
W	- Watt	T M	- Transcript Mark
KPH	- Kilometer Per Hour	C D I	- Capacitive Discharge Ignition
MSH	- Miles Per Hour	WL	- With Labeling
		WOL	- Without Labeling

**Decision for 'R' or 'L'**  
 'R' or 'L' in the description of a part stands for the Right hand side or the Left hand side which is decided by the forward direction of travel of the vehicle

**3 MODEL APPLICATION** — Model application for the various models listed within the catalog. Single model applications will not require this section.

**3a MODEL YEAR GUIDE** — A guide to the part application. (prior to 1976 the guide reference is the model designation i.e., K0, K1, etc... For 1976 and above the guide reference is the last digit of the model year i.e., 1976=6; 1977=7; 1985=5 etc...)

**4 AREA CODE** — Area codes for parts that are unique to a particular area. Area codes are defined in the Serial Number application chart when applicable. This column will not be used in catalogs which do not include unique area codes

**5 SERIAL NUMBER** — Applies to Engine or Frame serial numbers depending on the section.

The serial number of the vehicle (frame, engine, carburetor) should be checked prior to ordering parts for a specific unit. In cases where a part has been modified, the serial number of the vehicle bearing the modification is listed in the 'SERIAL NUMBER' column.

The modification parts are controlled by each pertinent serial number below

**Engine serial number** — Engine group parts (Block numbers beginning with 'E').

**Carburetor identification number** — Carburetor component parts.

**Frame serial numbers** — Frame group parts (Block numbers beginning with 'F'). Serial number application chart and Serial number locations are provided.

Note: Some models may be controlled by one serial number only

# HOW TO USE THIS CATALOG

**6. QTY REQ** — Quantity required per unit as specified.  
 A. "N" in place of the quantity indicates AS REQUIRED.  
 B. "( )" or "(\*" by the quantity required indicates "optional".

**7. PART NUMBER** — Part number corresponding to the reference numbers and application. Several part numbers may be listed under one (1) reference number. For your convenience the current supersede chain, as of print date, has been listed for you. Supersede chains are subject to change without notice

## MAKE-UP OF PART NUMBERS

All parts are classified into two groups consisting of GENERAL PARTS and STANDARD PARTS. All parts are numbered in accordance with system described below:

### General Parts

Example: Fork comp Part No. .... 51105-GR1 700ZA  
 Function No. .... 51  
 Component No. .... 105  
 Parts Classification No. .... -GR1-  
 Classification No. .... 700  
 \*Color Code .... ZA

### Standard Parts

Example: 8 x 8 Hex., Bolt Part No. .... 92000-08018-1A  
 Function No. .... 92  
 Type No. .... 000  
 Dimensions .... -08018  
 ISO Standard Designation .... 1  
 Chemical Surface Treatment .... A

\* The color code at the end of a General Part's part number indicate the color. However, color codes such as ZA, ZB, ZC onward except ZZ, do not indicate the color directly but refer to the notes "" in the Description Column of this Parts Catalog Microfiche. If the color description is not indicated in the text refer to the color table.

**8. HONDA CODE** — The Honda Code is listed to the right of each Part Number.

**A. ADDITIONAL INFORMATION** — The table of contents located at the right of each microfiche grid lists sectioned titles in alphabetical order. Some microfiche will require separate tables of contents for the Engine and Frame sections which will be noted in a sub-heading; the introduction section (Row "A") of these microfiche will have the contents of the Engine Section on even number grids and the contents of the Frame Section on odd number grids

## NOTE:

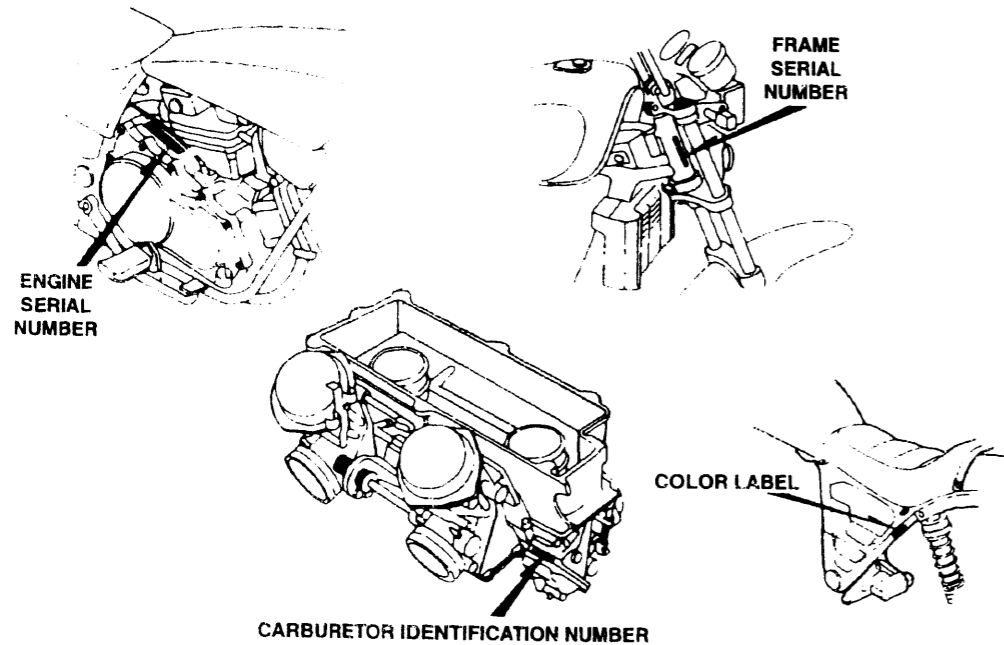
- The Block No. listed in the upper right hand corner of the Description heading refers to a complete illustration page and it's text, and should not be confused with the GRID NO. when using microfiche.
- Rear view mirrors are standard equipment on all street legal models

# SERIAL NUMBERS

## Models and applicable serial numbers

Models and applicable serial Nos. given in this parts catalog can be identified as follows.  
Parts with types are exclusive for models destined for countries designated  
If no types are listed, parts are for common use.

Model	Area Code	Unique Area	Applicable Engine Serial No.	Applicable Frame Serial No.	Applicable Carburetor Identification No.
VF1100C'83	A		SC12E-2000039 ~ 2018597	SC120*DM000029 ~ DM017677	VD70A
VF1100C'84		EXCEPT CALIFORNIA	SC12E-2100001 ~ 2116075	SC120*EA100001 ~ EA117064	VD70C
	AC	CALIFORNIA	SC12E-2102298 ~ 2114635	SC121*EA100004 ~ EA117067	VD76A
VF1100C'85	A	EXCEPT CALIFORNIA	SC12E-2200001 ~ 2208055	SC120*FA200006 ~ FA208465	VD70C
	AC	CALIFORNIA	SC12E-2200001 ~ 2206580	SC121*FA200001 ~ FA206845	VD76A
VF1100C'86	A	EXCEPT CALIFORNIA	SC12E-2300020 ~ 2304336	SC120*GM300101 ~ GM304425	VD70C
	AC	CALIFORNIA	SC12E-2300001 ~ 2302532	SC121*GM301306 ~ GM302625	VD79A



# CONSTRUCTION OF VEHICLE IDENTIFICATION NUMBER (V.I.N.)

(Example) W.M.I. JH2 V.D.S. RC040 V.I.S. 200001  
 W.M.I. ... World manufacturer identifier  
 V.D.S. ... Vehicle descriptor section  
 V.I.S. ... Vehicle indicator section

Sequential Production number

### Plant representation

- A ... OHIO factory in U.S.A
- B ... AALST factory in BELGIUM
- C ... SAITAMA factory in JAPAN
- D ... GUADALAJARA factory in MEXICO
- E ... MONTESA factory in SPAIN
- F ... ATESSA factory in ITALY
- K ... KUMAMOTO factory in JAPAN
- M ... HAMAMATSU factory in JAPAN
- R ... MANAUS factory in BRAZIL
- S ... SUZUKA factory in JAPAN
- T ... TOCHIGI factory in JAPAN

### Model year

(Example)  
 B. 1981 C. 1982 D. 1983 x 1999  
 <Except I.O.Q.U.>

### Check digit

This code is used to detect errors in the V.I.N. and consists of a single-digit number (0-9) or a letter "X". It has no direct bearing upon the V.D.S. and V.I.S.

### Vehicle description code

(Example) RC040 .. CB750F NC030 CB400T  
 Refer to: SERIAL NUMBERS

### Make and Type of vehicle

- JH2 ... HONDA, Motorcycle (Manufactured in JAPAN)
- 1HF ... HONDA, Motorcycle (Manufactured in U.S.A.)
- YC1 ... HONDA, Motorcycle (Manufactured in BELGIUM)
- 9C2 ... HONDA, Motorcycle (Manufactured in BRAZIL)
- 3H1 ... HONDA, Motorcycle (Manufactured in MEXICO)
- VTM ... HONDA, Motorcycle (Manufactured in SPAIN)
- ZDC ... HONDA, Motorcycle (Manufactured in ITALY)
- JH3 ... HONDA, All terrain vehicle (Manufactured in JAPAN)
- 478 ... HONDA, All terrain vehicle (Manufactured in U.S.A.)

Any change or modification of parts is directly related to the V.D.S. and V.I.S.  
 A V.I.S. number will appear in the "Serial No." column of the Parts Catalog if a part is changed or modified

### COMMENT

This example is generic and applies to 1981 and newer vehicles. 1980 models and prior are referred to as "FRAME NUMBERS" and the construction is designed by using the model designation or code followed by a sequential number.

## COLOR TABLES

### Color chart

- (WL) = Stripes and labels other than caution labels are included in parts whose part name end in (WL).
- (WOL) = Stripes and labels are not included in parts whose part name end in (WOL).

COLOR CODE TABLE (Color descriptions omitted from the main text of the catalog)

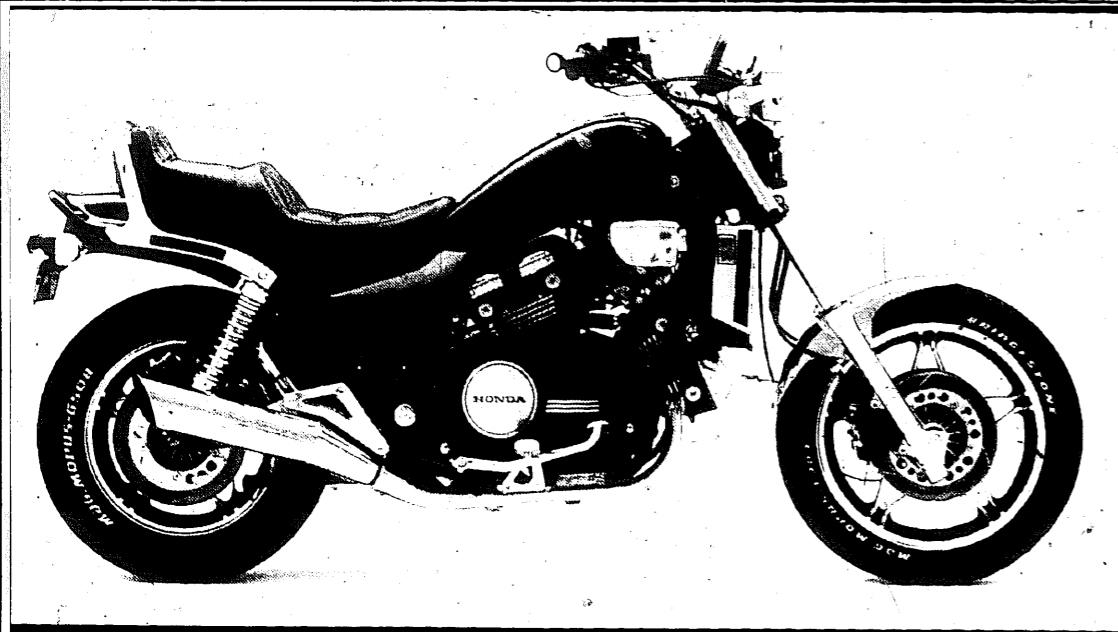
TYPE OF PARTS	COLOR CODE	COLOR DESCRIPTION
PAINTED PARTS	A	WHITE
	B	BLACK
	C	SCARLET
	E	ROYAL BLUE
	N	DARK BLUE
	Q	MARUEM BLUE
	R	IVORY YELLOW
	S	DARK SILVER
	T	METALLIC SILVER
	Z	PRIMER
	ZZ	PRIMER
	XW	CHROME
	VINYL PARTS	A
B		BLUE
D		LIGHT BLUE
E		SCARLET
G		DARK ROSE
N		ELEPHANT GRAY & IVORY
Q		WHITE
V		IVORY

## MANUALS

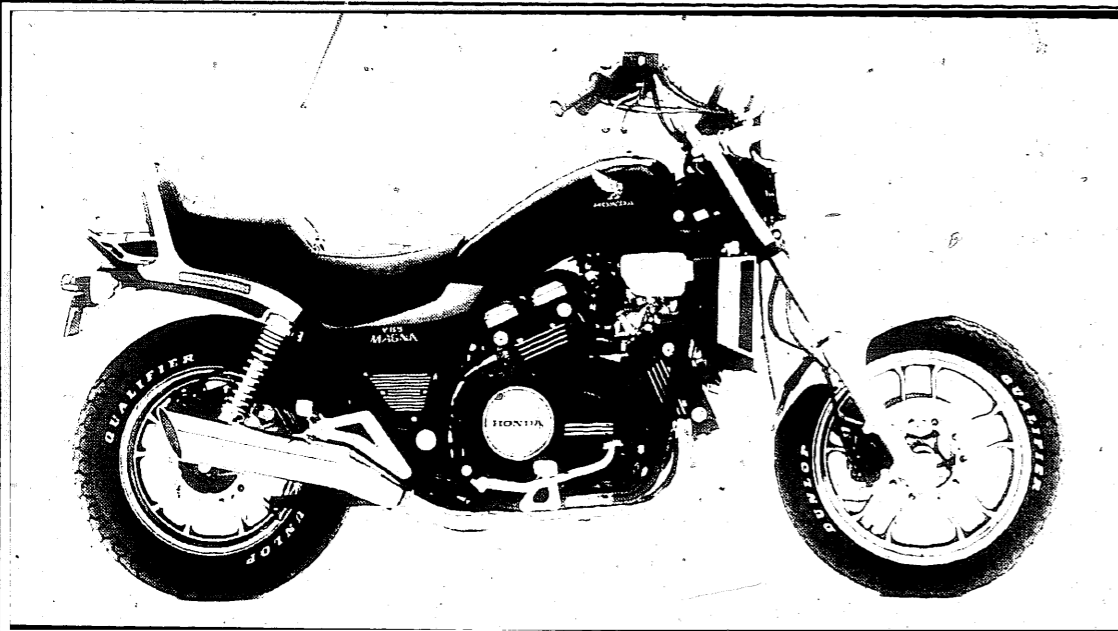
DESCRIPTION	PART NUMBER	H/C
VF1100C'83,'84,'85,'86 V65 MICROFICHE .....	14MB4DM	4419149
VT1100C'83-'86 SERVICE MANUAL .....	61MB403	2150977
VF1100C'83 OWNER'S MANUAL .....	31MB4600	1377019
VF1100C'84 OWNER'S MANUAL .....	31MB4610	1671775
VF1100C'85 OWNER'S MANUAL .....	31MB4620	1813716
VF1100C'86 OWNER'S MANUAL .....	31MB4630	2150985



## MODEL ID PHOTO



**VF1100C'83 V65 MAGNA**

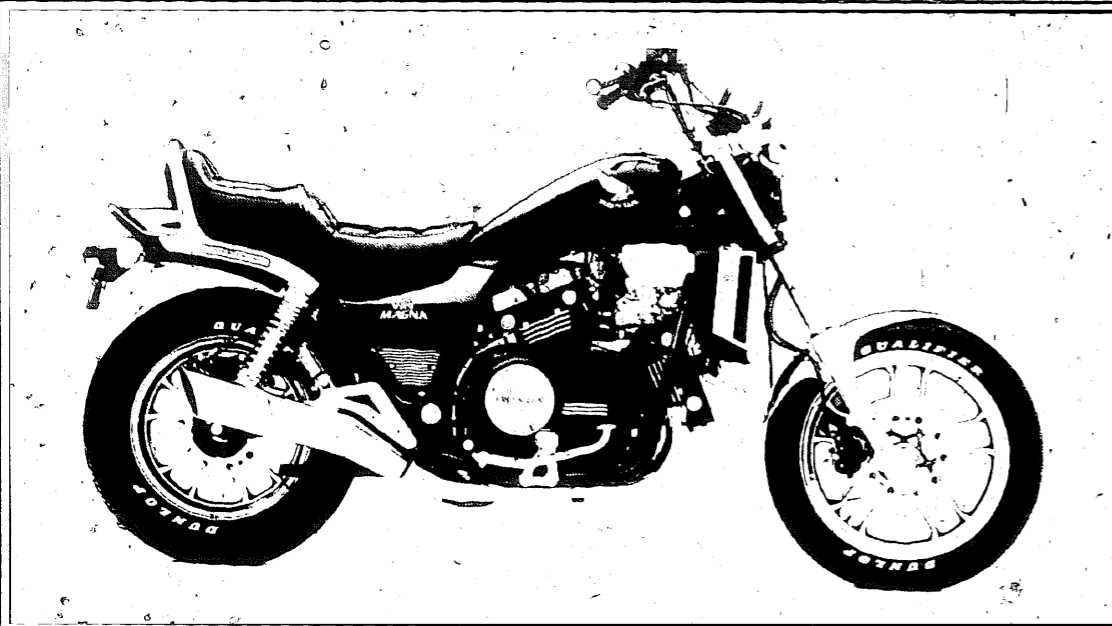


**VF1100C'84 V65 MAGNA**

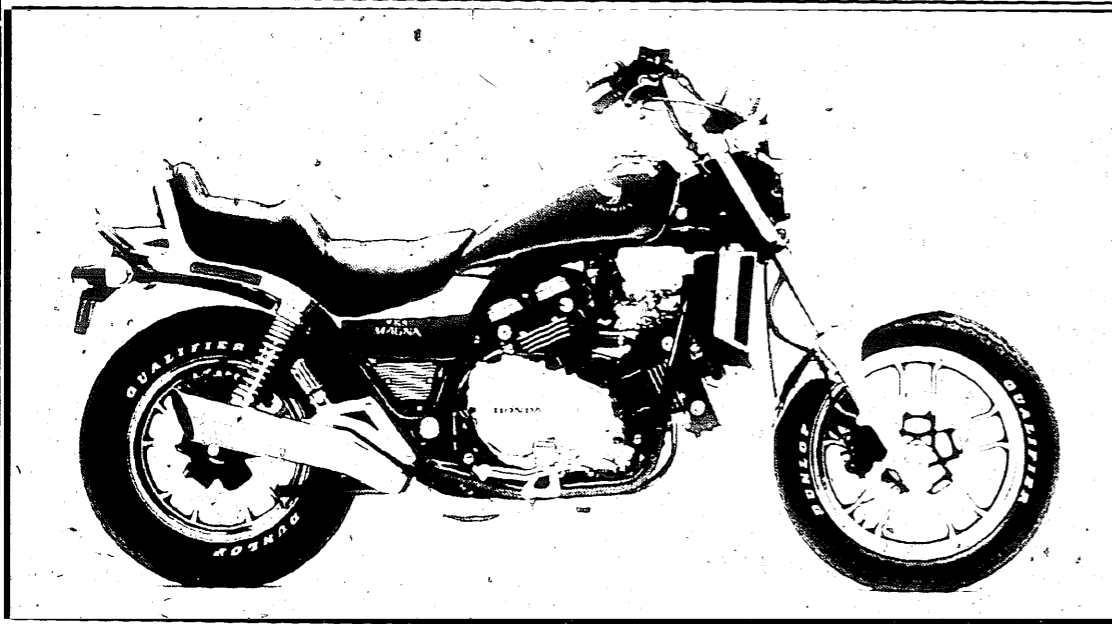
## SPECIFICATIONS

SECTION SUBJECT	VF1100C'83	VF1100C'84
<b>ENGINE</b>		
Cylinder .....	Four Cylinder	Four Cylinder
Strokes .....	4-Stroke	4-Stroke
Cooling .....	Liquid Cooled	Liquid Cooled
Camshaft .....	DOHC	DOHC
Valves per cylinder .....	4-Valve	4-Valve
Displacement .....	1098cc	1098cc
Lubrication system .....	Wet Sump	Wet Sump
Carburetor .....	C.V.VD70A.36mm	C.V.A-ACVD70C V.D76A.36mm
Main jet .....	FR/RR = 14C	FR RR = 118 = 120
Slow jet .....	= 45	= 45
<b>TRANSMISSION</b>		
Transmission type .....	Manual	Manual
Transmission speeds .....	6-Speed	6-Speed
Clutch .....	Manual	Manual
Shift pattern .....	1-N-2-3-4-5-OD	1-N-2-3-4-5-OD
<b>CHASSIS</b>		
Fuel tank capacity (Std) .....	4.5gal	4.5gal
Fuel tank capacity (Res) .....	0.8gal	0.8gal
Air filter type .....	Paper	Paper
Drive chain .....	Shaft Drive	Shaft Drive
Front Brake .....	Double Disc	Double Disc
Rear Brake .....	Single Disc	Single Disc
Front tire .....	M110'90X16	M110'90X16
Tire pressure .....	32PSI	32PSI
Rear tire .....	M140'90X16	M140'90X16
Tire pressure .....	32-40PSI	32-40PSI
<b>SERVICE TUNING</b>		
Valve clearance:		
Intake .....	0.15mm (0.006")	0.15mm (0.006")
Exhaust .....	0.15mm (0.006")	0.15mm (0.006")
Ignition type .....	Fully Transitionized	Fully Transitionized
Spark plug gap .....	0.8-0.9mm (0.031"-0.035")	0.8-0.9mm (0.031"-0.035")
<b>LUBRICATION</b>		
Recommended fuel .....	86 + Octane	86 + Octane
Engine oil - Pro Honda:		
GN4 10W40 .....	08C35-A141M01	08C35-A141M01
GN4 20W50 .....	08C35-A251M01	08C35-A251M01
Engine oil capacity		
After draining .....	3.2qts	3.2qts
After reassembly .....	3.7qts	3.7qts
Coolant type .....	08C50-C321S01	08C50-C321S01
Coolant ratio .....	50/50	50/50
Drive shaft and final gear case:		
Pro Honda shaft drive oil .....	08208-0080	08208-0080
Fork oil:		
Pro Honda (5W SS-7) .....	08208-0005	08208-0005
Pro Honda (10W SS-8) .....	08208-0010	08208-0010
Capacity after draining .....	R L 565 565cc	R L 565 580cc

## MODEL ID PHOTO



**VF1100C'85 V65 MAGNA**



**VF1100C'86 V65 MAGNA**

## SPECIFICATIONS

SECTION SUBJECT	VF1100C'85	VF1100C'86
<b>ENGINE</b>		
Cylinder	Four Cylinder	Four Cylinder
Strokes	4-Stroke	4-Stroke
Cooling	Liquid Cooled	Liquid Cooled
Camsshaft	DOHC	DOHC
Valves per cylinder	4-Valve	4-Valve
Displacement	1098cc	1098cc
Lubrication system	Wet Sump	Wet Sump
Carburetor	C.V.A-ACVD70C VD76A,36mm	C.V.VD79A,36mm
Main jet	FR RR = 118 = 120	FR RR = 115 = 118
Slow jet	= 45	= 45
<b>TRANSMISSION</b>		
Transmission type	Manual	Manual
Transmission speeds	6-Speed	6-Speed
Clutch	Manual	Manual
Shift pattern	1-N-2-3-4-5-OD	1-N-2-3-4-5-OD
<b>CHASSIS</b>		
Fuel tank capacity (Std)	4.5gal	4.5gal
Fuel tank capacity (Res)	0.8gal	0.8gal
Air filter type	Paper	Paper
Drive chain	Shaft Drive	Shaft Drive
Front Brake	Double Disc	Double Disc
Rear Brake	Single Disc	Single Disc
Front tire	M110 90X16	M110 90X16
Tire pressure	32PSI	32PSI
Rear tire	M140 90X16	M140 90X16
Tire pressure	32-40PSI	32-40PSI
<b>SERVICE TUNING</b>		
Valve clearance		
Intake	0.15mm (0.006")	0.15mm (0.006")
Exhaust	0.15mm (0.006")	0.15mm (0.006")
Ignition type	Fully Transitionized	Fully Transitionized
Spark plug gap	0.8-0.9mm (0.031-0.035")	0.8-0.9mm (0.031-0.035")
<b>LUBRICATION</b>		
Recommended fuel	86 + Octane	86 + Octane
Engine oil - Pro Honda		
GN4 10W40	08C35-A141M01	08C35-A141M01
GN4 20W50	08C35-A251M01	08C35-A251M01
Engine oil capacity		
After draining	3.2qts	3.2qts
After reassembly	3.7qts	3.7qts
Coolant type	08C50-C321S01	08C50-C321S01
Coolant ratio	50 50	50 50
Drive shaft and final gear case		
Pro Honda shaft drive oil	08208-0080	08208-0080
Fork oil		
Pro Honda (5W SS-7)	08208-0005	08208-0005
Pro Honda (10W SS-8)	08208-0010	08208-0010
Capacity after draining	R L 565 580cc	R L 565 580cc

# BULK HOSE

## Bulk Hose Cross Reference Chart

To convert a cut hose part number to the equivalent of roll hose simply match the two part numbers using the following chart, cutting the required length indicated by the cut hose part number.

FUEL HOSE		VACUUM HOSE	
CURRENT CATALOG LISTING	BULK HOSE PART NUMBER	CURRENT CATALOG LISTING	BULK HOSE PART NUMBER
95001-35 -- -- -2	95001-35003-20M	95005-35 -- -- -2	95001-35003-20M
95001-35 -- -- -4	95001-35003-40M	95005-35 -- -- -3	
95001-45 -- -- -2	95001-45003-20M	95005-35 -- -- -1	
95001-45 -- -- -4	95001-45008-40M		
95001-55 -- -- -2	95001-55008-20M	95005-45 -- -- -2	95001-35003-20M
95001-55 -- -- -4	95001-55008-40M	95005-45 -- -- -3	
95001-75 -- -- -4	95001-75008-40M		
		95005-50 -- -- -3	95005-50003-30M
		95005-55 -- -- -2	95005-55003-20M
		95005-70 -- -- -3	95005-70003-30M
		95005-75 -- -- -1	95005-75003-10M
		95005-75 -- -- -2	
		95005-80 -- -- -1	95005-80008-10M
		95005-80 -- -- -2	
		95005-80 -- -- -3	
		95005-12 -- -- -2	95005-12003-10M

### ORDERING INFORMATION

#### FUEL HOSE

PART NUMBER	H/C	INSIDE DIAMETER	ROLL LENGTH
95001-35003-20M	2380533	3.5 (mm)	3M (9.9ft)
95001-35003-40M	2380541	3.5 (mm)	3M (9.9ft)
95001-45003-20M	2380558	4.5 (mm)	3M (9.9ft)
95001-45008-30M	2324986	4.5 (mm)	5M (26.4ft)
95001-55008-20M	2386134	5.3 (mm)	8M (26.4ft)
95001-55008-30M	2385896	5.3 (mm)	8M (26.4ft)
95001-75008-20M	2385094	7.5 (mm)	3M (9.9ft)
95001-75003-30M	2385904	7.5 (mm)	3M (9.9ft)

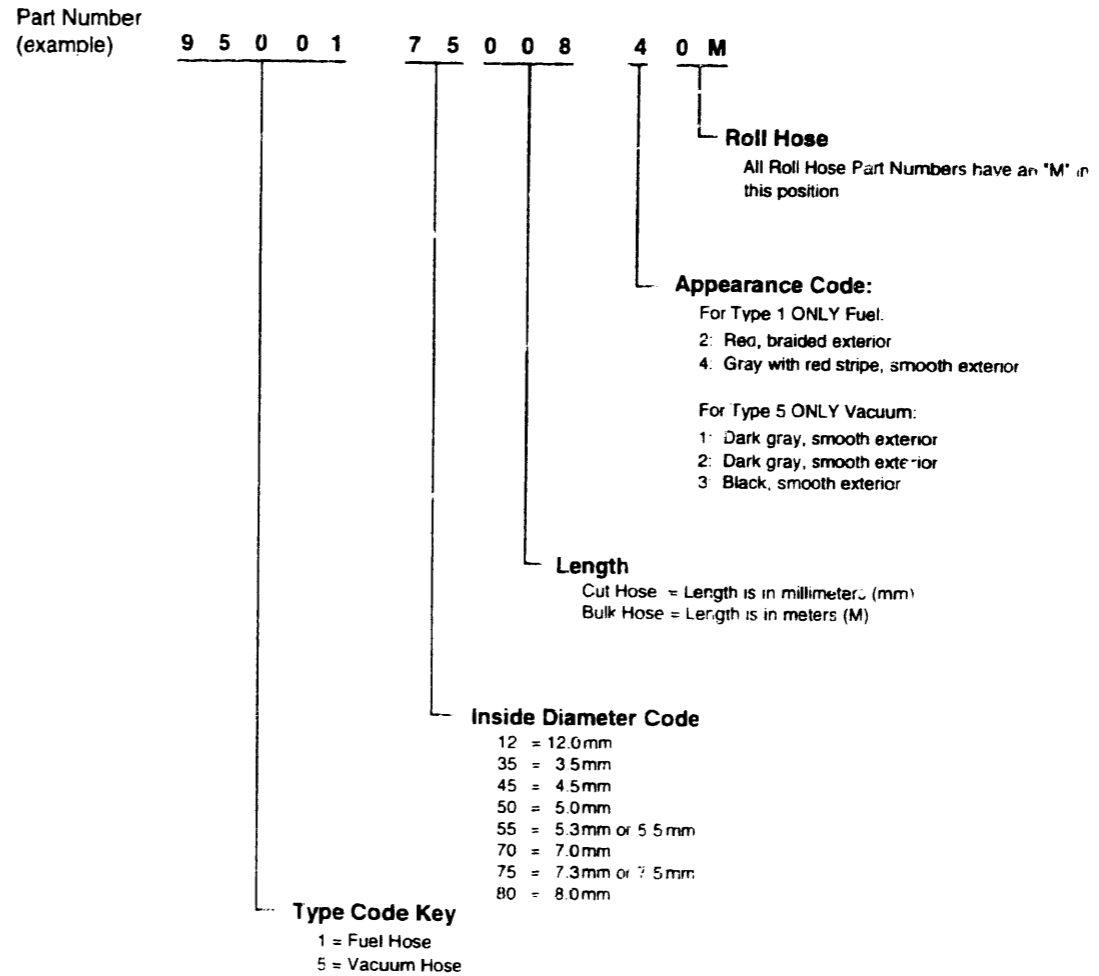
#### VACUUM HOSE

PART NUMBER	H/C	INSIDE DIAMETER	ROLL LENGTH
95001-35003-10M	2325058	3.5 (mm)	3M (26.4ft)
95001-35003-10M	2325082	4.5 (mm)	3M (26.4ft)
95001-45003-30M	2383608	5.0 (mm)	3M (9.9ft)
95001-45008-10M	2386886	5.5 (mm)	8M (26.4ft)
95001-55008-20M	2380624	6.5 (mm)	8M (9.9ft)
95001-55008-10M	2380640	7.3 (mm)	8M (9.9ft)
95001-75008-10M	2325108	8.0 (mm)	3M (26.4ft)
95001-75003-10M	2383657	12.0 (mm)	3M (9.9ft)
95005-14003-20M	2380665	14.0 (mm)	3M (9.9ft)

CAUTION. Damage to vacuum hose will result from contact with fuel. Do not use vacuum hose in place of fuel hose.

# BULK HOSE

## Construction of Fuel and Vacuum Hose Part Number



CAUTION: Damage to vacuum hose will result from contact with fuel. Do not use vacuum hose in place of fuel hose.

### COMMONLY REQUIRED REPLACEMENT PARTS

Ref. No.	DESCRIPTION	VF1100C				AREA CODE	SERIAL NUMBER		QTY REQ	PART NUMBER	HONDA CODE
		1	1	1	1		FROM	TO			
		983	984	985	986						
3 = VF1100C'83 4 = VF1100C'84 5 = VF1100C'85 6 = VF1100C'86											
BATTERY (YB18-A)	3				A			1	31500-MB4-773	3046414	
BATTERY (YB18-A)	3				A			1	31500-MB4-671	1512474	
		4	5	6				1	31500-MB4-671	1512474	
		4	5	6				1	31500-MB4-773	3046414	
BATTERY (YB18A)	3				A			1	31500-MB4-772	1809672	
		4	5	6				1	31500-MB4-772	1809672	
BULB, HEADLIGHT (H4 JA12V60/55W)	3				A			1	34901-MC7-601	1288612	
		4	5	6				1	34901-MC7-601	1288612	
BULB, TAILLIGHT (12V27/7W 2057HD)	3				A			1	34906-MG9-771	1700301	
		4	5	6				1	34906-MG9-771	1700301	
BULB, TAILLIGHT (12V 27/8W)	3				A			1	34906-341-671	0273540	
		4	5	6				1	34906-341-671	0273540	
BULB, TURN SIGNAL (12V 23W)	3				A			2	34905-268-671	0145318	
		4	5	6				2	34905-268-671	0145318	
FILTER, OIL	3				A			1	15410-MJ0-004	3481355	
FILTER, OIL	3				A			1	15410-MJ0-003	1689611	
FILTER, OIL	3				A			1	15410-MB0-003	1241702	
		4	5	6				1	15410-MJ0-003	1689611	
		4	5	6				1	15410-MB0-003	1241702	
		4	5	6				1	15410-MJ0-004	3481355	
FUSE B (10A)	3				A			2	98200-21000	0562793	
		4	5	6				2	98200-21000	0562793	
FUSE B (15A)	3				A			5	38231-SA5-003	1131119	
		4	5	6				5	38231-SA5-003	1131119	
FUSE F (30A)	3				A			2	98200-53000	0412676	
		4	5					2	98200-53000	0412676	
FUSE, BLADE (15A)	3				A			5	98200-31500	1644244	
		4	5	6				5	98200-31500	1644244	
FUSE, BLADE (30A)				6				2	98200-33000	1644251	
GASKET SET		4	5					4	16010-MB4-621	1426014	
GASKET SET	3				A			4	16010-MB0-871	3516416	
GASKET SET	3				A			4	16010-MB0-671	1241736	
		4	5	6				4	16010-MB6-681	2076362	
		4	5	6				4	16010-MB6-305	3911518	
		4	5	6				4	16010-MB4-622	2249340	
GASKET, EX. PIPE	3				A			4	18291-MN4-920	2916997	

### COMMONLY REQUIRED REPLACEMENT PARTS

Ref. No.	DESCRIPTION	VF1100C				AREA CODE	SERIAL NUMBER		QTY REQ	PART NUMBER	HONDA CODE
		1	1	1	1		FROM	TO			
		983	984	985	986						
3 = VF1100C'83 4 = VF1100C'84 5 = VF1100C'85 6 = VF1100C'86											
GASKET, EX. PIPE	3				A			4	18291-236-000	0148593	
GASKET, EX. PIPE	3				A			4	18291-236-000	0148593	
GASKET, EX. PIPE	3				A			4	18291-MN4-920	2916997	
		4	5	6				4	18291-236-000	0148593	
		4	5	6				4	18291-MN4-920	2916997	
		4	5	6				4	18291-236-000	0148593	
		4	5	6				4	18291-MN4-920	2916997	
GRIP, L. HANDLEBAR	3				A			1	53166-MB1-000	1249796	
		4	5					1	53166-MB1-000	1249796	
GRIP, R. HANDLEBAR				6				1	53168-MK3-315	2391266	
GRIP, R. HANDLEBAR				6				1	53168-MK3-305	2098002	
GRIP, R. HANDLEBAR	3				A			1	53165-MB1-000	1249788	
		4	5					1	53165-MB1-000	1249788	
HANDLEBAR			5	6				1	53100-MB4-680	1852698	
HANDLEBAR		4						1	53100-MB4-770	1550169	
HANDLEBAR, COMP., R.	3				A	DM001949		1	53175-MJ6-006	1776590	
		4						1	53175-MJ6-006	1776590	
HEADLIGHT UNIT	3				A			1	33120-ME5-670	1390517	
		4	5	6				1	33120-ME5-670	1390517	
KEY, BLANK (TYPE 1)			5	6				(1)	35121-MA6-811	1246750	
KEY, BLANK (TYPE 1)			5	6				(1)	35121-KW3-771	3029840	
KEY, BLANK (TYPE 2)	3				A			(1)	35122-MA6-811	1246768	
KEY, BLANK (TYPE 2)	3				A			(1)	35122-KW3-771	3029857	
		4	5	6				(1)	35122-MA6-811	1246768	
		4	5	6				(1)	35122-KW3-771	3029857	
LENS, TURN SIGNAL	3				A			4	33402-MB1-003	1260397	
		4	5	6				4	33402-MB1-003	1260397	
MIRROR, L.		4	5	6				1	88120-MB1-702	2094779	
MIRROR, L.		4	5					1	88120-MB1-701	1292069	
MIRROR, L.	3				A			1	88120-MB4-013	2754224	
MIRROR, L.	3				A			1	88120-MB4-003	1390558	
MIRROR, R.		4	5	6				1	88110-MB1-702	2094761	
MIRROR, R.		4	5					1	88110-MB1-701	1292051	
MIRROR, R.	3				A			1	88110-MB4-013	2295970	
MIRROR, R.	3				A			1	88110-MB4-003	1390541	

xvi © American Honda Motor Co., Inc. 1994

VF1100C'83 ENGINE NO.; SC12E-2000039 TO 2018597  
 VF1100C'83 FRAME NO.; SC120-DM000029 TO DM017677  
 VF1100C'84 ENGINE NO.; SC12E-2100001 TO 2116075  
 VF1100C'84 FRAME NO.; SC120-EA100001 TO EA117064

VF1100C'84 ENGINE NO.; SC12E-2102298 TO 2114635  
 VF1100C'84 FRAME NO.; SC121-EA100004 TO EA117067  
 VF1100C'85 ENGINE NO.; SC12E-2200001 TO 2208055  
 VF1100C'85 FRAME NO.; SC120-FA200006 TO FA208465

© American Honda Motor Co., Inc. 1994 xvii

VF1100C'85 ENGINE NO.; SC12E-2200001 TO 2206580  
 VF1100C'85 FRAME NO.; SC121-FA200001 TO FA206845  
 VF1100C'86 ENGINE NO.; SC12E-2300020 TO 2304336  
 VF1100C'86 FRAME NO.; SC120-GM300101 TO GM304425

VF1100C'86 ENGINE NO.; SC12E-2300001 TO 2302532  
 VF1100C'86 FRAME NO.; SC121-GM301306 TO GM302625



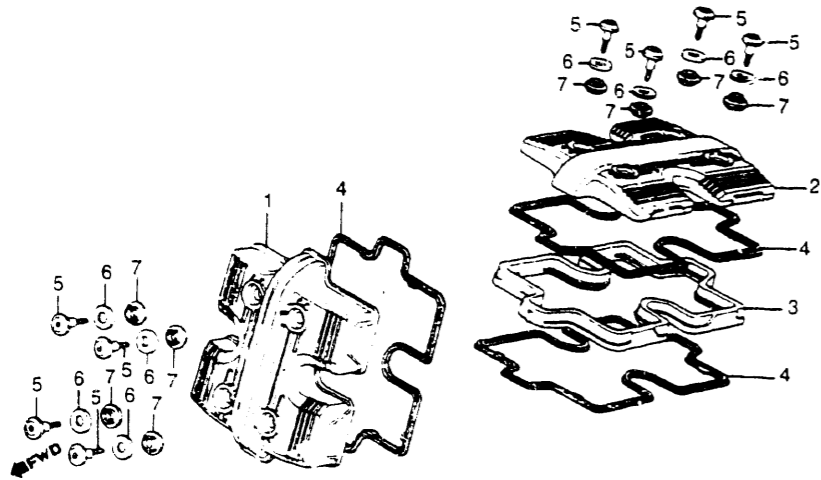
## CONTENTS BY PAGE NO. SEQUENCE

PAGE TITLE	PAGE	GRID	PAGE TITLE	PAGE	GRID
CYLINDER HEAD COVER	2	1-B1	CANISTER-84-85	202	1-K3
FRONT CYLINDER	3	1-B1	CANISTER-86	204	1-K4
REAR CYLINDER	8	1-B4			
CAMSHAFT • VALVE	12	1-B6			
CAM CHAIN • TENSIONER	15	1-B7			
RIGHT CRANKCASE COVER	20	1-B10			
CLUTCH	22	1-B11			
PULSE ALTERNATOR • STARTER CLUTCH	26	1-C1			
ALTERNATOR	28	1-C2			
REAR COVER • WATER PUMP	30	1-C3			
STARTER MOTOR	32	1-C4			
OIL FILTER • OIL PAN • OIL PUMP	34	1-C5			
CYLINDER BLOCK	38	1-C7			
CRANKSHAFT • PISTON	42	1-C9			
TRANSMISSION	48	1-C12			
GEARSHIFT DRUM	52	1-D2			
WATER PIPE • THERMOSTAT	56	1-D4			
CROSS SHAFT	60	1-D6			
CARBURETOR (ASSY. LINK)	64	1-D8			
CARBURETOR (COMP. PARTS)	70	1-D11			
GASKET KIT A	74	1-E1			
GASKET KIT B	75	1-E1			
HEADLIGHT	78	1-F1			
INSTRUMENTS	80	1-F2			
SWITCHES • CABLES	85	1-F4			
FRONT BRAKE MASTER CYL. • BRAKE CONTROL LEVER	88	1-F6			
CLUTCH MASTER CYLINDER • CLUTCH CONTROL LEVER	92	1-F8			
HANDLEBAR • TOP BRIDGE	96	1-F10			
STEERING STEM • HORN	100	1-F12			
FRONT FENDER	105	1-G2			
FRONT SHOCK ABSORBER	106	1-G3			
FRONT BRAKE CALIPER	114	1-G7			
FRONT WHEEL	118	1-G9			
REAR BRAKE MASTER CYL.	121	1-G10			
REAR BRAKE CALIPER	124	1-G12			
REAR WHEEL	127	1-H1			
FINAL DRIVEN GEAR	130	1-H3			
FUEL TANK	136	1-H6			
SEAT	141	1-H8			
SIDE COVER • RECTIFIER	144	1-H10			
BATTERY • FUEL PUMP	152	1-I2			
AIR CLEANER	156	1-I4			
MUFFLER	160	1-I6			
BRAKE PEDAL • GEARSHIFT PEDAL	164	1-I8			
FOOTPEGS	166	1-I9			
MAIN STAND • SIDE STAND	169	1-I10			
SWINGARM • DRIVE SHAFT	172	1-I12			
SHOCK ABSORBER	175	1-J1			
REAR FENDER • SPARK UNIT	178	1-J3			
TURN SIGNAL	180	1-J4			
TAILLIGHT	185	1-J6			
WIRE HARNESS • IGNITION COIL	188	1-J8			
RADIATOR	191	1-J9			
FRAME	196	1-J12			
TOOLS	200	1-K2			

## CONTENTS IN ALPHABETICAL ORDER

PAGE TITLE	PAGE	GRID	PAGE TITLE	PAGE	GRID
AIR CLEANER	156	1-I4	SIDE STAND	169	1-I10
ALTERNATOR	28	1-C2	SPARK UNIT	178	1-J3
BATTERY	152	1-I2	STARTER CLUTCH	26	1-C1
BRAKE CALIPER, FR.	114	1-G7	STARTER MOTOR	32	1-C4
BRAKE CALIPER, RR.	124	1-G12	STEERING STEM	100	1-F12
BRAKE CONTROL LEVER	88	1-F6	SWINGARM	172	1-I12
BRAKE MASTER CYL, FR.	88	1-F6	SWITCHES	85	1-F4
BRAKE MASTER CYL, RR.	121	1-G10	TAILLIGHT	185	1-J6
BRAKE PEDAL	164	1-I8	TENSIONER	15	1-B7
CABLES	85	1-F4	THERMOSTAT	56	1-D4
CAM CHAIN	15	1-B7	TOOLS	200	1-K2
CAMSHAFT	12	1-B6	TOP BRIDGE	96	1-F10
CANISTER 84-85	202	1-K3	TRANSMISSION	48	1-C12
CANISTER 86	204	1-K4	TURN SIGNAL	180	1-J4
CARBURETOR (ASSY. LINK)	64	1-D8	VALVE	12	1-B6
CARBURETOR (COMP. PARTS)	70	1-D11	WATER PIPE	56	1-D4
CLUTCH	22	1-B11	WATER PUMP	30	1-C3
CLUTCH CONTROL LEVER	92	1-F8	WHEEL, FR.	118	1-G9
CLUTCH MASTER CYLINDER	92	1-F8	WHEEL, RR.	127	1-H1
COVER, RR.	30	1-C3	WIRE HARNESS	188	1-J8
CRANKCASE COVER, R.	20	1-B10			
CRANKSHAFT	42	1-C9			
CROSS SHAFT	60	1-D6			
CYLINDER BLOCK	38	1-C7			
CYLINDER HEAD COVER	2	1-B1			
CYLINDER, FR.	3	1-B1			
CYLINDER, RR.	8	1-B4			
DRIVE SHAFT	172	1-I12			
FENDER, FR.	105	1-G2			
FENDER, RR.	178	1-J3			
FINAL DRIVEN GEAR	130	1-H3			
FOOTPEGS	166	1-I9			
FRAME	196	1-J12			
FUEL PUMP	152	1-I2			
FUEL TANK	136	1-H6			
GASKET KIT A	74	1-E1			
GASKET KIT B	75	1-E1			
GEARSHIFT DRUM	52	1-D2			
GEARSHIFT PEDAL	164	1-I8			
HANDLEBAR	96	1-F10			
HEADLIGHT	78	1-F1			
HORN	100	1-F12			
IGNITION COIL	188	1-J8			
INSTRUMENTS	80	1-F2			
MAIN STAND	169	1-I10			
MUFFLER	160	1-I6			
OIL FILTER	34	1-C5			
OIL PAN	34	1-C5			
OIL PUMP	34	1-C5			
PISTON	42	1-C9			
PULSE ALTERNATOR	26	1-C1			
RADIATOR	191	1-J9			
RECTIFIER	144	1-H10			
SEAT	141	1-H8			
SHOCK ABSORBER	175	1-J1			
SHOCK ABSORBER, FR.	106	1-G3			
SIDE COVER	144	1-H10			

# CYLINDER HEAD COVER



E14MB4DC1

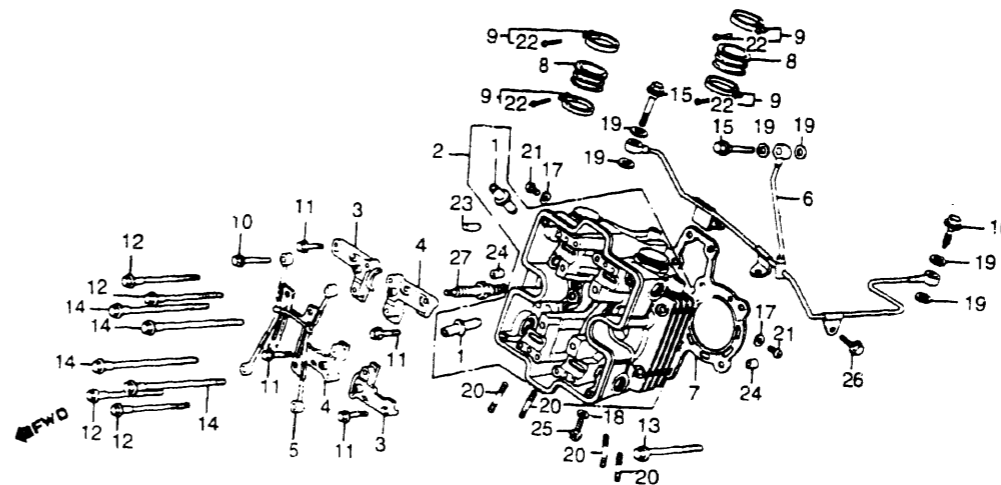
Ref No	BLOCK NO. DESCRIPTION	E-1	VF1100C				AREA	ENGINE SERIAL NUMBER		QTY REQ	PART NUMBER	HONDA CODE
			1	2	3	4		FROM	TO			
	3 = VF1100C'83 4 = VF1100C'84 5 = VF1100C'85 6 = VF1100C'86		1	1	1	1	A					
			9	9	9	9	C					
			8	8	8	8	D					
			3	4	5	6	E					
1	COVER A, CYLINDER HEAD	3	---	---	---	---	A	-----	-----	1	12311-MB4-000	1385608
	COVER A, CYLINDER HEAD	3	---	---	---	---	A	-----	-----	1	12311-MB4-770	1663137
			4	5	6					1	12311-MB4-770	1663137
2	COVER B, CYLINDER HEAD	3	---	---	---	---	A	-----	-----	1	12321-MB4-000	1385616
			4	5	6					1	12321-MB4-000	1385616
3	BASE, HEAD COVER	3	---	---	---	---	A	-----	-----	1	12341-MB4-000	1385632
			4	5	6					1	12341-MB4-000	1385632
4	GASKET A, CYLINDER HEAD COVER	3	---	---	---	---	A	-----	-----	3	12391-MB4-000	1385640
			4	5	6					3	12391-MB4-000	1385640
5	BOLT, SPECIAL, 6X29	3	---	---	---	---	A	-----	-----	8	90017-MB0-000	1243427
			4	5	6					8	90017-MB0-000	1243427
6	WASHER, SETTING RUBBER	3	---	---	---	---	A	-----	-----	8	90541-MB0-000	1243690
			4	5	6					8	90541-MB0-000	1243690
7	RUBBER, SETTING	3	---	---	---	---	A	-----	-----	8	90542-MB0-000	1243708
			4	5	6					8	90542-MB0-000	1243708

2 AMERICAN HONDA MOTOR CO. INC. 1994

VF1100C'83 ENGINE NO.; SC12E-2000039 TO 2018597  
 VF1100C'83 FRAME NO.; SC120-DM000029 TO DM012677  
 VF1100C'84 ENGINE NO.; SC12E-2100001 TO 2116075  
 VF1100C'84 FRAME NO.; SC120-EA100001 TO EA117064

VF1100C'84 ENGINE NO.; SC12E-2102298 TO 2114635  
 VF1100C'84 FRAME NO.; SC121-EA100004 TO EA117067  
 VF1100C'85 ENGINE NO.; SC12E-2200001 TO 2208055  
 VF1100C'85 FRAME NO.; SC120-FA200006 TO FA208465

# FRONT CYLINDER



E14MB4D02

Ref No	BLOCK NO. DESCRIPTION	E-2	VF1100C				AREA	ENGINE SERIAL NUMBER		QTY REQ	PART NUMBER	HONDA CODE
			1	2	3	4		FROM	TO			
	3 = VF1100C'83 4 = VF1100C'84 5 = VF1100C'85 6 = VF1100C'86		1	1	1	1	A					
			9	9	9	9	C					
			8	8	8	8	D					
			3	4	5	6	E					
1	GUIDE, EX. VALVE	3	---	---	---	---	A	-----	-----	8	12204-MB0-405	1390087
			4	5	6					8	12204-MB0-405	1390087
	GUIDE, VALVE (O.S.)	3	---	---	---	---	A	-----	-----	8	12204-MS2-305	3371465
			4	5	6					8	12204-MS2-305	3371465
2	HEAD COMP., FR.	3	---	---	---	---	A	-----	-----	1	12210-MB4-000	1385541
			4	---	---	---				1	12210-MB4-000	1385541
			---	5	---	---				1	12210-MB4-000	1385541
											2207310	
	HEAD COMP., FR.	3	---	---	---	---	A	-----	-----	1	12210-MB4-020	3142957
			4	---	---	---				1	12210-MB4-020	3142957
			---	5	---	---				1	12210-MB4-020	3142957
											2207310	
	HEAD COMP., FR.	---	---	5	---	---				1	12210-MB4-010	2260008
										1	12210-MB4-830	2249050
3	HOLDER A, CAMSHAFT	3	---	---	---	---	A	-----	-----	2	12211-MB4-000	1385558
			4	---	---	---				2	12211-MB4-010	1517192
			---	5	---	---				2	12211-MB4-010	1517192
											2204055	
										2	12211-MB4-010	1517192

AMERICAN HONDA MOTOR CO. INC. 1994 3

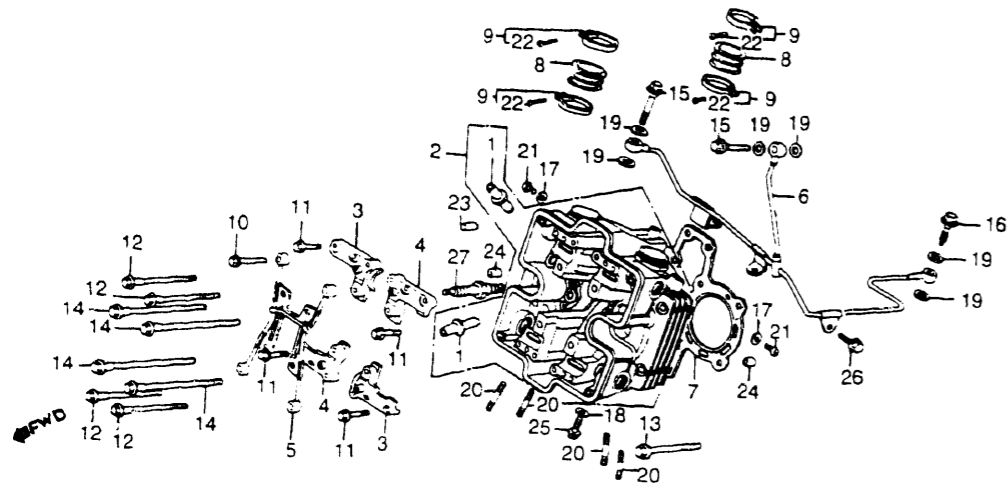
VF1100C'85 ENGINE NO.; SC12E-2200001 TO 2206580  
 VF1100C'85 FRAME NO.; SC121-FA200001 TO FA206845  
 VF1100C'86 ENGINE NO.; SC12E-2300020 TO 2304336  
 VF1100C'86 FRAME NO.; SC120-GM300101 TO GM304425

VF1100C'86 ENGINE NO.; SC12E-2300001 TO 2302532  
 VF1100C'86 FRAME NO.; SC121-GM301306 TO GM302625

# CONTENTS

TITLE	PAGE	GRID
ALTERNATOR	28	1-C2
CAM CHAIN	15	1-B7
CAMSHAFT	12	1-B6
CARBURETOR (ASSY. LINK)	64	1-D8
CARBURETOR /COMP. PARTS)	70	1-D11
CLUTCH	22	1-B11
COVER, RR.	30	1-C3
CRANKCASE COVER, R.	20	1-B10
CRANKSHAFT	42	1-C9
CROSS SHAFT	60	1-D6
CYLINDER BLOCK	38	1-C7
CYLINDER HEAD COVER	2	1-B1
CYLINDER, FR.	3	1-B1
CYLINDER, RR.	8	1-B4
GASKET KIT A	74	1-E1
GASKET KIT B	75	1-E1
GEARSHIFT DRUM	52	1-D2
OIL FILTER	34	1-C5
OIL PAN	34	1-C5
OIL PUMP	34	1-C5
PISTON	42	1-C9
PULSE ALTERNATOR	26	1-C1
STARTER CLUTCH	26	1-C1
STARTER MOTOR	32	1-C4
TENSIONER	15	1-B7
THERMOSTAT	56	1-D4
TRANSMISSION	48	1-C12
VALVE	12	1-B6
WATER PIPE	56	1-D4
WATER PUMP	30	1-C3

# FRONT CYLINDER



14MB4D02

Ref No.	BLOCK NO. DESCRIPTION	E-2	VF1100C				AREA	ENGINE SERIAL NUMBER	QTY	PART NUMBER	HONDA CODE
			1	1	1	1					
			9	9	9	9					
			8	8	8	8					
			3	4	5	6					
3	HOLDER A, CAMSHAFT		3	--	--	A	----	2	12211-MB4-020	1831338	
			--	4	--		----	2	12211-MB4-020	1831338	
			--	5	--		2204055	2	12211-MB4-020	1831338	
			--	5	--		2207310	2	12211-MB4-020	1831338	
	HOLDER A, CAMSHAFT		3	--	--	A	----	2	12211-MB4-030	2089589	
			--	4	5	6	----	2	12211-MB4-030	2089589	
			--	5	--		2204055	2	12211-MB4-030	2089589	
			--	5	--		2207310	2	12211-MB4-030	2089589	
4	HOLDER B, CAMSHAFT		3	--	--	A	----	2	12212-MB4-000	1385566	
	HOLDER B, CAMSHAFT		3	--	--	A	----	2	12212-MB4-010	1513605	
			--	4	--		----	2	12212-MB4-010	1513605	
			--	5	--		2204055	2	12212-MB4-010	1513605	
	HOLDER B, CAMSHAFT		3	--	--	A	----	2	12212-MB4-020	1831346	
			--	4	--		----	2	12212-MB4-020	1831346	
			--	5	--		2204055	2	12212-MB4-020	1831346	
			--	5	--		2207310	2	12212-MB4-020	1831346	
	HOLDER B, CAMSHAFT		3	--	--	A	----	2	12212-MB4-030	2099372	
			--	4	5	6	----	2	12212-MB4-030	2099372	
			--	5	--		2204055	2	12212-MB4-030	2099372	
			--	5	--		2207310	2	12212-MB4-030	2099372	

Ref No.	BLOCK NO. DESCRIPTION	E-2	VF1100C				AREA	ENGINE SERIAL NUMBER	QTY	PART NUMBER	HONDA CODE
			1	1	1	1					
			9	9	9	9					
			8	8	8	8					
			3	4	5	6					
5	PIPE A, OIL PATH		3	--	--	A	----	1	12230-MB4-010	2027688	
			--	4	5	6	----	1	12230-MB4-010	2027688	
6	PIPE B, OIL PATH		3	--	--	A	----	1	12240-MB4-000	1385590	
			--	4	5	6	----	1	12240-MB4-000	1385590	
7	GASKET, CYLINDER HEAD		3	--	--	A	----	1	12251-MB4-000	1385624	
			--	4	5	6	----	1	12251-MB4-000	1385624	
	GASKET, CYLINDER HEAD		3	--	--	A	----	1	12251-MB4-306	4367967	
			--	4	5	6	----	1	12251-MB4-306	4367967	
8	INSULATOR, CARBURETOR		3	--	--	A	----	2	16211-MB4-000	1426105	
			--	4	--		----	2	16211-MB4-000	1426105	
	INSULATOR, CARBURETOR		--	--	5	6	----	2	16212-MB6-000	1741503	
	INSULATOR, CARBURETOR		--	--	5	6	----	2	16212-MB6-010	2333177	
9	BAND, INSULATOR		3	--	--	A	----	4	16219-ME9-000	1367515	
			--	4	--		----	4	16219-ME9-000	1367515	
	BAND, INSULATOR		--	--	5	6	----	4	16219-MB0-770	1312701	
	BAND, INSULATOR		--	--	5	6	----	4	16223-KS5-000	3355138	
10	BOLT, FLANGE, 6X52		3	--	--	A	----	4	90001-MB0-000	1243336	
			--	4	5	6	----	4	90001-MB0-000	1243336	
11	BOLT, FLANGE, 6X54		3	--	--	A	----	4	90003-MB0-770	1292077	
			--	4	5	6	----	4	90003-MB0-770	1292077	
12	BOLT, UBS, 8X151		3	--	--	A	----	4	90006-MB0-000	1243351	
			--	4	--		2110944	4	90006-MB0-000	1243351	
	BOLT, UBS, 8X151		3	--	--	A	----	4	90006-MB0-010	1762137	
			--	4	5	6	----	4	90006-MB0-010	1762137	
13	BOLT, UBS, 10X94		3	--	--	A	----	4	90011-MB4-000	1388669	
			--	4	5	6	----	4	90011-MB4-000	1388669	
14	BOLT, UBS, 10X177		3	--	--	A	----	4	90012-MB4-000	1388677	
			--	4	--		----	4	90012-MB4-000	1388677	
	BOLT, UBS, 10X177		--	--	5	6	----	4	90012-MB3-000	1745124	
15	BOLT, OIL		3	--	--	A	----	2	90025-MB0-771	1316975	
			--	4	5	6	----	2	90025-MB0-771	1316975	
16	BOLT COMP., OIL CONTROL		3	--	--	A	----	1	90045-MB4-000	1390095	
			--	4	--		----	1	90045-MB4-000	1390095	
	BOLT, OIL CONTROL		--	--	5	6	----	1	90045-MB2-000	1539014	
17	WASHER, THRUST, 5MM		3	--	--	A	----	2	90452-323-000	0255224	
			--	4	5	6	----	2	90452-323-000	0255224	
18	WASHER, SEALING, 6.5X12		3	--	--	A	----	1	90461-357-000	0350215	
			--	4	5	6	----	1	90461-357-000	0350215	

CONTENTS		
TITLE	PAGE	GRID
ALTERNATOR	28	1-C2
CAM CHAIN	15	1-B7
CAMSHAFT	12	1-B6
CARBURETOR (ASSY LINK)	64	1-D8
CARBURETOR (COMP PARTS)	70	1-D11
CLUTCH	22	1-B11
COVER, RR	30	1-C3
CRANKCASE COVER, R	20	1-B10
CRANKSHAFT	42	1-C9
CROSS SHAFT	60	1-D6
CYLINDER BLOCK	38	1-C7
CYLINDER HEAD COVER	2	1-B1
CYLINDER, FR	3	1-B1
CYLINDER, RR	8	1-B4
GASKET KIT A	74	1-E1
GASKET KIT B	75	1-E1
GEARSHIFT DRUM	52	1-D2
OIL FILTER	34	1-C5
OIL PAN	34	1-C5
OIL PUMP	34	1-C5
PISTON	42	1-C9
PULSE ALTERNATOR	26	1-C1
STARTER CLUTCH	26	1-C1
STARTER MOTOR	32	1-C4
TENSIONER	15	1-B7
THERMOSTAT	56	1-D4
TRANSMISSION	48	1-C12
VALVE	12	1-B6
WATER PIPE	56	1-D4
WATER PUMP	30	1-C3

VF1100C'83 ENGINE NO.; SC12E-2000039 TO 2018597  
 VF1100C'83 FRAME NO.; SC120-DM000029 TO DM017677  
 VF1100C'84 ENGINE NO.; SC12E-2100001 TO 2116075  
 VF1100C'84 FRAME NO.; SC120-FA100001 TO EA117064

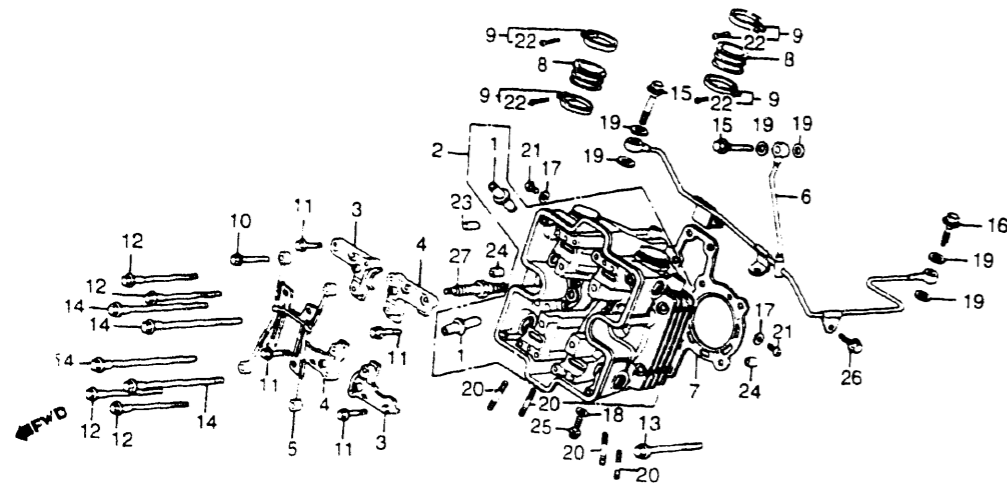
VF1100C'84 ENGINE NO.; SC12E-2102298 TO 2114635  
 VF1100C'84 FRAME NO.; SC121-EA100004 TO EA117067  
 VF1100C'85 ENGINE NO.; SC12E-2200001 TO 2208055  
 VF1100C'85 FRAME NO.; SC120-FA200006 TO FA208465

VF1100C'85 ENGINE NO.; SC12E-2200001 TO 2206580  
 VF1100C'85 FRAME NO.; SC121-FA200001 TO FA206845  
 VF1100C'86 ENGINE NO.; SC12E-2300020 TO 2304336  
 VF1100C'86 FRAME NO.; SC120-GM300101 TO GM304425

VF1100C'86 ENGINE NO.; SC12E-2300001 TO 2302532  
 VF1100C'86 FRAME NO.; SC121-GM301306 TO GM302625



# FRONT CYLINDER



E14MB4D02

Ref. No.	BLOCK NO. DESCRIPTION	E-2	VF1100C				AREA CODE	ENGINE SERIAL NUMBER	QTY REQ	PART NUMBER	HONDA CODE
			1	1	1	1					
	3 = VF1100C'83 4 = VF1100C'84 5 = VF1100C'85 6 = VF1100C'86		1	1	1	1					
			9	9	9	9					
			8	8	8	8					
			3	4	5	6					
19	WASHER, OIL BOLT	3	---	---	---	---	A	---	6	90545-300-000 0189902	
		---	4	---	---	---		---	6	90545-300-000 0189902	
		---	---	5	---	---		---	6	90545-300-000 0189902	
	WASHER, SEALING, 10MM	---	---	5	---	---		---	6	2206333 90443-MB0-000 2072924	
		---	---	---	6	---		---	6	90443-MB0-000 2072924	
20	BOLT, STUD, 6X45	3	---	---	---	---	A	---	4	92700-06045 0156943	
		---	4	---	---	---		---	4	92700-06045 0156943	
	BOLT, STUD, 6X45	3	---	---	---	---	A	---	4	92700-06045-0B 1296987	
		---	4	---	---	---		---	4	92700-06045-0B 1296987	
	BOLT, STUD, 6X32	3	---	---	---	---	A	---	4	92900-06032-0B 2601912	
		---	4	---	---	---		---	4	92900-06032-0B 2601912	
	BOLT 2, STUD, 6X32	3	---	---	---	---	A	---	4	92900-06032-0E 2532687	
		---	4	---	---	---		---	4	92900-06032-0E 2532687	
	BOLT, STUD, 6X50	---	---	5	6	---		---	4	90063-235-000 0171454	
	BOLT, STUD, 6X45	---	---	5	6	---		---	4	92700-06045-0E 0167163	
	BOLT, STUD, 6X50	---	---	5	6	---		---	4	92700-06050-0E 0688879	
21	SCREW, PAN, 5X8	3	---	---	---	---	A	---	2	93500-05008-0G 0331363	
		---	4	5	6	---		---	2	93500-05008-0G 0331363	

Ref. No.	BLOCK NO. DESCRIPTION	E-2	VF1100C				AREA CODE	ENGINE SERIAL NUMBER	QTY REQ	PART NUMBER	HONDA CODE
			1	1	1	1					
	3 = VF1100C'83 4 = VF1100C'84 5 = VF1100C'85 6 = VF1100C'86		1	1	1	1					
			9	9	9	9					
			8	8	8	8					
			3	4	5	6					
22	SCREW-WASHER, 5X25	3	---	---	---	---	A	---	4	93891-05025-07 1089622	
		---	4	---	---	---		---	4	93891-05025-07 1089622	
	SCREW-WASHER, 5X25	3	---	---	---	---	A	---	4	93891-05025-17 1716133	
		---	4	---	---	---		---	4	93891-05025-17 1716133	
	SCREW, PAN, 5X28	---	---	5	6	---		---	4	93500-05028-06 0923821	
23	PIN A, DOWEL, 8X14	3	---	---	---	---	A	---	4	94301-08140 0069310	
		---	4	5	6	---		---	4	94301-08140 0069310	
24	PIN A, DOWEL, 12X20	3	---	---	---	---	A	---	6	94301-12200 0165324	
		---	4	5	6	---		---	6	94301-12200 0165324	
25	BOLT, FLANGE, 6X12	3	---	---	---	---	A	---	1	95700-06012-00 0487025	
		---	4	5	6	---		---	1	95700-06012-00 0487025	
	BOLT, FLANGE, 6X12	3	---	---	---	---	A	---	1	95701-06012-00 2105799	
		---	4	5	6	---		---	1	95701-06012-00 2105799	
26	BOLT, FLANGE, 6X14	3	---	---	---	---	A	---	1	96000-06014-07 1390293	
		---	4	5	6	---		---	1	96000-06014-07 1390293	
	BOLT, FLANGE, 6X14	3	---	---	---	---	A	---	1	96001-06014-07 2532729	
		---	4	5	6	---		---	1	96001-06014-07 2532729	
27	PLUG, SPARK (DPR7EA-9 NGK)	3	---	---	---	---	A	---	(2)	98069-57916 1103076	
		---	4	5	6	---		---	(2)	98069-57916 1103076	
	PLUG, SPARK (X22EPR-U9 ND)	3	---	---	---	---	A	---	(2)	98069-57926 1096817	
		---	4	5	6	---		---	(2)	98069-57926 1096817	
	PLUG, SPARK (DPR8EA-9 NGK)	3	---	---	---	---	A	---	2	98069-58916 1103084	
		---	4	5	6	---		---	2	98069-58916 1103084	
	PLUG, SPARK (X24EPR-U9 ND)	3	---	---	---	---	A	---	2	98069-58926 1096825	
		---	4	5	6	---		---	2	98069-58926 1096825	
	PLUG, SPARK (DPR9EA-9 NGK)	3	---	---	---	---	A	---	(2)	98069-59916 1103092	
		---	4	5	6	---		---	(2)	98069-59916 1103092	
	PLUG, SPARK (X27EPR-U9 ND)	3	---	---	---	---	A	---	(2)	98069-59926 1096833	
		---	4	5	6	---		---	(2)	98069-59926 1096833	

# CONTENTS

TITLE	PAGE	GRID
ALTERNATOR	28	1-C2
CAM CHAIN	15	1-B7
CAMSHAFT	12	1-B6
CARBURETOR (ASSY. LINK)	64	1-D8
CARBURETOR (COMP. PARTS)	70	1-D11
CLUTCH	22	1-B11
COVER, RR	30	1-C3
CRANKCASE COVER, R	20	1-B10
CRANKSHAFT	42	1-C9
CROSS SHAFT	60	1-D6
CYLINDER BLOCK	38	1-C7
CYLINDER HEAD COVER	2	1-B1
CYLINDER, FR	3	1-B1
CYLINDER, RR	8	1-B4
GASKET KIT A	74	1-E1
GASKET KIT B	75	1-E1
GEARSHIFT DRUM	52	1-D2
OIL FILTER	34	1-C5
OIL PAN	34	1-C5
OIL PUMP	34	1-C5
PISTON	42	1-C9
PULSE ALTERNATOR	26	1-C1
STARTER CLUTCH	26	1-C1
STARTER MOTOR	32	1-C4
TENSIONER	15	1-B7
THERMOSTAT	56	1-D4
TRANSMISSION	48	1-C12
VALVE	12	1-B6
WATER PIPE	56	1-D4
WATER PUMP	30	1-C3

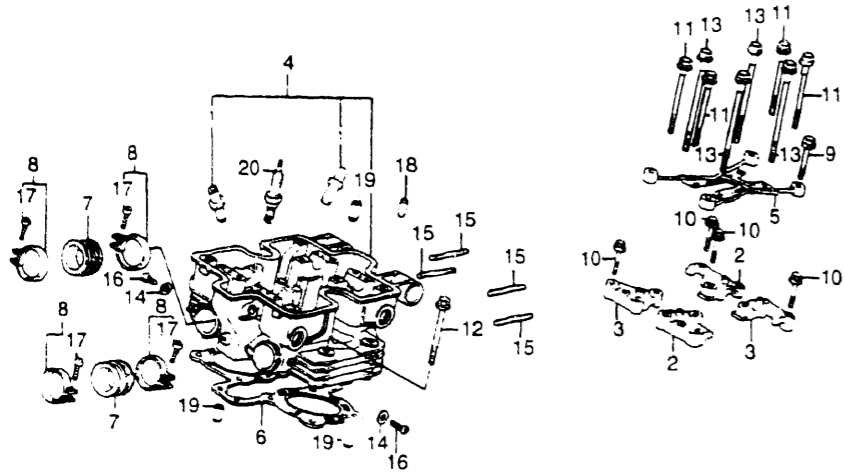
VF1100C'83 ENGINE NO.; SC12E-2000039 TO 2018597  
 VF1100C'83 FRAME NO.; SC120-DM000029 TO DMO17677  
 VF1100C'84 ENGINE NO.; SC12E-2100001 TO 2116055  
 VF1100C'84 FRAME NO.; SC120-EA100001 TO EA117054

VF1100C'84 ENGINE NO.; SC12E-2102298 TO 2114635  
 VF1100C'84 FRAME NO.; SC121-EA100004 TO EA117067  
 VF1100C'85 ENGINE NO.; SC12E-2200001 TO 2208055  
 VF1100C'85 FRAME NO.; SC120-FA200006 TO FA208465

VF1100C'85 ENGINE NO.; SC12E-2200001 TO 2206580  
 VF1100C'85 FRAME NO.; SC121-FA200001 TO FA206845  
 VF1100C'86 ENGINE NO.; SC12E-2300020 TO 2304336  
 VF1100C'86 FRAME NO.; SC120-GM300101 TO GM304425

VF1100C'86 ENGINE NO.; SC12E-2300001 TO 2302532  
 VF1100C'86 FRAME NO.; SC121-GM301306 TO GM302625

# REAR CYLINDER



E14MB4D0201

3 = VF1100C'83  
 4 = VF1100C'84  
 5 = VF1100C'85  
 6 = VF1100C'86

Ref. No.	BLOCK NO. DESCRIPTION	VF1100C				AREA CODE	ENGINE SERIAL NUMBER		QTY REQ	PART NUMBER	HONDA CODE
		1	2	3	4		FROM	TO			
3	HOLDER B, CAMSHAFT	3	---	---	---	A	---	---	2	12212-MB4-020	1831346
		---	4	5	---		---	---	2	12212-MB4-020	1831346
		---	---	5	---		2204055	---	2	12212-MB4-020	1831346
	HOLDER B, CAMSHAFT	3	---	---	---	A	---	---	2	12212-MB4-030	2099372
		---	4	5	6		---	---	2	12212-MB4-030	2099372
		---	---	5	---		2204055	---	2	12212-MB4-030	2099372
4	HEAD COMP., RR.	3	---	---	---	A	---	---	1	12220-MB4-000	1385574
		---	4	---	---		---	---	1	12220-MB4-000	1385574
		---	---	5	---		2207310	---	1	12220-MB4-000	1385574
	HEAD COMP., RR.	3	---	---	---	A	---	---	1	12220-MB4-010	2260024
		---	4	5	---		---	---	1	12220-MB4-010	2260024
		---	---	5	---		2207310	---	1	12220-MB4-010	2260024
	HEAD COMP., RR.	3	---	---	---	A	---	---	1	12220-MB4-020	2289114
		---	4	5	---		---	---	1	12220-MB4-020	2289114
		---	---	5	---		2207310	---	1	12220-MB4-020	2289114
	HEAD COMP., RR.	---	---	---	6		---	---	1	12220-MB4-830	2249068
5	PIPE A, OIL PATH	3	---	---	---	A	---	---	1	12230-MB4-010	2027688
		---	4	5	6		---	---	1	12230-MB4-010	2027688
6	GASKET, CYLINDER HEAD	3	---	---	---	A	---	---	1	12251-MB4-000	1385624
		---	4	5	6		---	---	1	12251-MB4-000	1385624
	GASKET, CYLINDER HEAD	3	---	---	---	A	---	---	1	12251-MB4-306	4367967
		---	4	5	6		---	---	1	12251-MB4-306	4367967
7	INSULATOR, CARBURETOR	3	---	---	---	A	---	---	2	16211-MB4-000	1426105
		---	4	---	---		---	---	2	16211-MB4-000	1426105
	INSULATOR, CARBURETOR	---	---	5	6		---	---	2	16212-MB6-000	1741503
	INSULATOR, CARBURETOR	---	---	5	6		---	---	2	16212-MB6-010	2333177
8	BAND, INSULATOR	3	---	---	---	A	---	---	4	16219-ME9-000	1367515
		---	4	---	---		---	---	4	16219-ME9-000	1367515
	BAND, INSULATOR	---	---	5	6		---	---	4	16219-MB0-770	1312701
	BAND, INSULATOR	---	---	5	6		---	---	4	16223-KS5-000	3355138
9	BOLT, FLANGE, 6X52	3	---	---	---	A	---	---	4	90001-MB0-000	1243336
		---	4	5	6		---	---	4	90001-MB0-000	1243336
10	BOLT, FLANGE, 6X54	3	---	---	---	A	---	---	4	90003-MB0-770	1292077
		---	4	5	6		---	---	4	90003-MB0-770	1292077
11	BOLT, UBS, 8X151	3	---	---	---	A	---	---	4	90006-MB0-000	1243351
		---	4	---	---		2110944	---	4	90006-MB0-000	1243351
	BOLT, UBS, 8X151	3	---	---	---	A	---	---	4	90006-MB0-010	1762137
		---	4	5	6		---	---	4	90006-MB0-010	1762137

# CONTENTS

TITLE	PAGE	GRID
ALTERNATOR	28	1-C2
CAM CHAIN	15	1-B7
CAMSHAFT	12	1-B6
CARBURETOR (ASSY. LINK)	64	1-D3
CARBURETOR (COMP. PARTS)	70	1-D11
CLUTCH	22	1-B11
COVER, RR.	30	1-C3
CRANKCASE COVER, R.	20	1-B10
CRANKSHAFT	42	1-C9
CROSS SHAFT	60	1-D6
CYLINDER BLOCK	38	1-C7
CYLINDER HEAD COVER	2	1-B1
CYLINDER, FR.	3	1-B1
CYLINDER, RR.	8	1-B4
GASKET KIT A	74	1-E1
GASKET KIT B	75	1-E1
GEARSHIFT DRUM	52	1-D2
OIL FILTER	34	1-C5
OIL PAN	34	1-C5
OIL PUMP	34	1-C5
PISTON	42	1-C9
PULSE ALTERNATOR	26	1-C1
STARTER CLUTCH	26	1-C1
STARTER MOTOR	32	1-C4
TENSIONER	15	1-B7
THERMOSTAT	56	1-D4
TRANSMISSION	48	1-C12
VALVE	12	1-B6
WATER PIPE	56	1-D4
WATER PUMP	30	1-C3

Ref. No.	BLOCK NO. DESCRIPTION	VF1100C				AREA CODE	ENGINE SERIAL NUMBER		QTY REQ	PART NUMBER	HONDA CODE
		1	2	3	4		FROM	TO			
1	GUIDE, EX. VALVE	3	---	---	---	A	---	---	8	12204-MB0-405	1390087
		---	4	5	6		---	---	8	12204-MB0-405	1390087
	GUIDE, VALVE (O.S.)	3	---	---	---	A	---	---	8	12204-MS2-305	3371465
		---	4	5	6		---	---	8	12204-MS2-305	3371465
2	HOLDER A, CAMSHAFT	3	---	---	---	A	---	---	2	12211-MB4-000	1385558
		---	4	---	---		---	---	2	12211-MB4-010	1517192
		---	---	5	---		2204055	---	2	12211-MB4-010	1517192
	HOLDER A, CAMSHAFT	3	---	---	---	A	---	---	2	12211-MB4-020	1831338
		---	4	5	---		---	---	2	12211-MB4-020	1831338
		---	---	5	---		2204055	---	2	12211-MB4-020	1831338
	HOLDER A, CAMSHAFT	3	---	---	---	A	---	---	2	12211-MB4-030	2089589
		---	4	5	6		---	---	2	12211-MB4-030	2089589
		---	---	5	---		2204055	---	2	12211-MB4-030	2089589
3	HOLDER B, CAMSHAFT	3	---	---	---	A	---	---	2	12212-MB4-000	1385566
		---	4	---	---		---	---	2	12212-MB4-010	1513605
		---	---	5	---		2204055	---	2	12212-MB4-010	1513605
	HOLDER B, CAMSHAFT	3	---	---	---	A	---	---	2	12212-MB4-010	1513605
		---	4	---	---		---	---	2	12212-MB4-010	1513605
		---	---	5	---		2204055	---	2	12212-MB4-010	1513605

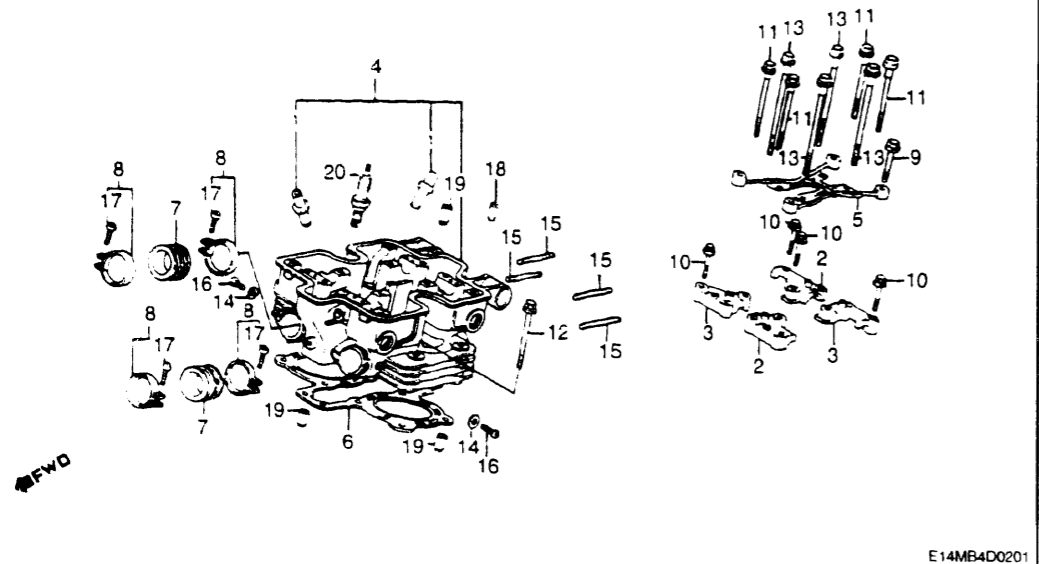
VF1100C'83 ENGINE NO.; SC12E-2000039 TO 2018597  
 VF1100C'83 FRAME NO.; SC120-DM000029 TO DM017677  
 VF1100C'84 ENGINE NO.; SC12E-2100001 TO 2116075  
 VF1100C'84 FRAME NO.; SC120-EA100001 TO EA117064

VF1100C'84 ENGINE NO.; SC12E-2102298 TO 2114635  
 VF1100C'84 FRAME NO.; SC121-EA100004 TO EA117067  
 VF1100C'85 ENGINE NO.; SC12E-2200001 TO 2208055  
 VF1100C'85 FRAME NO.; SC120-FA200006 TO FA208465

VF1100C'85 ENGINE NO.; SC12E-2200001 TO 2206580  
 VF1100C'85 FRAME NO.; SC121-FA200001 TO FA206845  
 VF1100C'86 ENGINE NO.; SC12E-2300020 TO 2304336  
 VF1100C'86 FRAME NO.; SC120-GM300101 TO GM304425

VF1100C'86 ENGINE NO.; SC12E-2300001 TO 2302532  
 VF1100C'86 FRAME NO.; SC121-GM301306 TO GM302625

# REAR CYLINDER



E14MB4D0201

Ref. No.	BLOCK NO. DESCRIPTION	VF1100C				AREA CODE	ENGINE SERIAL NUMBER	QTY REQ	PART NUMBER	HONDA CODE
		1	2	3	4					
	3 = VF1100C'83 4 = VF1100C'84 5 = VF1100C'85 6 = VF1100C'86	1	1	1	1					
		9	8	8	8					
		3	4	5	6					
12	BOLT, UBS, 10X94	3	---	---	---	A	---	4	90011-MB4-000 1388669	
		---	4	5	6			4	90011-MB4-000 1388669	
13	BOLT, UBS, 10X177	3	---	---	---	A	---	4	90012-MB4-000 1388677	
		---	4	---	---			4	90012-MB4-000 1388677	
	BOLT, UBS, 10X177	---	---	5	6			4	90012-MB3-000 1745124	
14	WASHER, THRUST, 5MM	3	---	---	---	A	---	2	90452-323-000 0255224	
		---	4	5	6			2	90452-323-000 0255224	
15	BOLT, STUD, 6X45	3	---	---	---	A	---	4	92700-06045 0156943	
		---	4	---	---			4	92700-06045 0156943	
	BOLT, STUD, 6X45	3	---	---	---	A	---	4	92700-06045-0B 1296987	
		---	4	---	---			4	92700-06045-0B 1296987	
	BOLT, STUD, 6X32	3	---	---	---	A	---	4	92900-06032-0B 2601912	
		---	4	---	---			4	92900-06032-0B 2601912	
	BOLT 2, STUD, 6X32	3	---	---	---	A	---	4	92900-06032-0E 2532687	
		---	4	---	---			4	92900-06032-0E 2532687	
	BOLT, STUD, 6X50	---	---	5	6			4	90063-235-000 0171454	
	BOLT, STUD, 6X45	---	---	5	6			4	92700-06045-0E 0167163	
	BOLT, STUD, 6X50	---	---	5	6			4	92700-06050-0E 0688879	

Ref. No.	BLOCK NO. DESCRIPTION	VF1100C				AREA CODE	ENGINE SERIAL NUMBER	QTY REQ	PART NUMBER	HONDA CODE
		1	2	3	4					
	3 = VF1100C'83 4 = VF1100C'84 5 = VF1100C'85 6 = VF1100C'86	1	1	1	1					
		9	8	8	8					
		3	4	5	6					
16	SCREW, PAN, 5X8	3	---	---	---	A	---	2	93500-05008-0G 0331363	
		---	4	5	6			2	93500-05008-0G 0331363	
17	SCREW-WASHER, 5X25	3	---	---	---	A	---	4	93891-05025-07 1089622	
		---	4	---	---			4	93891-05025-07 1089622	
	SCREW-WASHER, 5X25	3	---	---	---	A	---	4	93891-05025-17 1716133	
		---	4	---	---			4	93891-05025-17 1716133	
	SCREW, PAN, 5X28	---	---	5	6			4	93500-05028-0G 0923821	
18	PIN A, DOWEL, 8X14	3	---	---	---	A	---	4	94301-08140 0069310	
		---	4	5	6			4	94301-08140 0069310	
19	PIN A, DOWEL, 12X20	3	---	---	---	A	---	6	94301-12200 0165324	
		---	4	5	6			6	94301-12200 0165324	
20	PLUG, SPARK (DPR7EA-9 NGK)	3	---	---	---	A	---	(2)	98069-57916 1103076	
		---	4	5	6			(2)	98069-57916 1103076	
	PLUG, SPARK (X22EPR-U9 ND)	3	---	---	---	A	---	(2)	98069-57926 1096817	
		---	4	5	6			(2)	98069-57926 1096817	
	PLUG, SPARK (DPR8EA-9 NGK)	3	---	---	---	A	---	2	98069-58916 1103084	
		---	4	5	6			2	98069-58916 1103084	
	PLUG, SPARK (X24EPR-U9 ND)	3	---	---	---	A	---	2	98069-58926 1096825	
		---	4	5	6			2	98069-58926 1096825	
	PLUG, SPARK (DPR9EA-9 NGK)	3	---	---	---	A	---	(2)	98069-59916 1103092	
		---	4	5	6			(2)	98069-59916 1103092	
	PLUG, SPARK (X27EPR-U9 ND)	3	---	---	---	A	---	(2)	98069-59926 1096833	
		---	4	5	6			(2)	98069-59926 1096833	

VF1100C'83 ENGINE NO.; SC12E-2000039 TO 2018597  
 VF1100C'83 FRAME NO.; SC120-DM000029 TO DM017677  
 VF1100C'84 ENGINE NO.; SC12E-2100001 TO 2116075  
 VF1100C'84 FRAME NO.; SC120-EA100001 TO EA117064

VF1100C'84 ENGINE NO.; SC12E-2102298 TO 2114635  
 VF1100C'84 FRAME NO.; SC121-EA100004 TO EA117067  
 VF1100C'85 ENGINE NO.; SC12E-2200001 TO 2208055  
 VF1100C'85 FRAME NO.; SC120-FA200006 TO FA208465

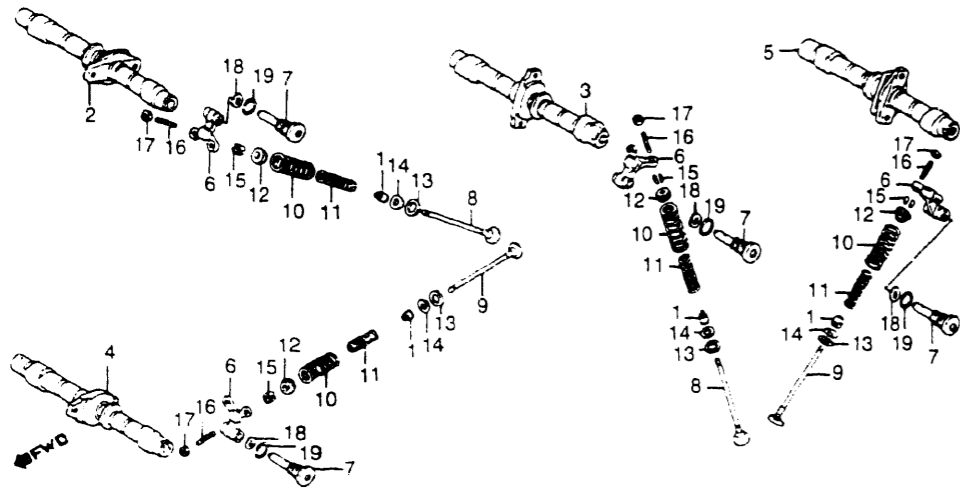
VF1100C'85 ENGINE NO.; SC12E-2200001 TO 2206580  
 VF1100C'85 FRAME NO.; SC121-FA200001 TO FA206845  
 VF1100C'86 ENGINE NO.; SC12E-2300020 TO 2304336  
 VF1100C'86 FRAME NO.; SC120-GM300101 TO GM304425

VF1100C'86 ENGINE NO.; SC12E-2300001 TO 2302532  
 VF1100C'86 FRAME NO.; SC121-GM301306 TO GM302625

# CONTENTS

TITLE	PAGE	GRID
ALTERNATOR	28	1-C2
CAM CHAIN	15	1-B7
CAMSHAFT	12	1-B6
CARBURETOR (ASSY. LINK)	64	1-D8
CARBURETOR (COMP. PARTS)	70	1-D11
CLUTCH	22	1-B11
COVER, RR	30	1-C3
CRANKCASE COVER, R	20	1-B10
CRANKSHAFT	42	1-C9
CROSS SHAFT	60	1-D6
CYLINDER BLOCK	38	1-C7
CYLINDER HEAD COVER	2	1-B1
CYLINDER, FR	3	1-B1
CYLINDER, RR	8	1-B4
GASKET KIT A	74	1-E1
GASKET KIT B	75	1-E1
GEARSHIFT DRUM	52	1-D2
OIL FILTER	34	1-C5
OIL PAN	34	1-C5
OIL PUMP	34	1-C5
PISTON	42	1-C9
PULSE ALTERNATOR	26	1-C1
STARTER CLUTCH	26	1-C1
STARTER MOTOR	32	1-C4
TENSIONER	15	1-B7
THERMOSTAT	56	1-D4
TRANSMISSION	48	1-C12
VALVE	12	1-B6
WATER PIPE	56	1-D4
WATER PUMP	30	1-C3

# CAMSHAFT • VALVE



E14MB4D03

Ref. No.	BLOCK NO. DESCRIPTION	E-3	VF1100C				AREA CODE	ENGINE SERIAL NUMBER		QTY REQ	PART NUMBER	HONDA CODE
			1	9	8	8		4	5			
	3 = VF1100C'83 4 = VF1100C'84 5 = VF1100C'85 6 = VF1100C'86		1	9	8	8	4	5	6			
1	SEAL, VALVE STEM	3	---	4	5	6	A	---	---	16	12209-422-005	0688887
2	CAMSHAFT COMP., FR. IN.	3	---	---	---	---	A	---	---	1	14111-MB4-000	1386226
	CAMSHAFT COMP., FR. IN.	3	---	---	---	---	A	---	---	1	14111-MB4-010	1534692
	CAMSHAFT COMP., FR. IN.	3	---	4	5	---	A	---	---	1	14111-MB4-020	1557891
	CAMSHAFT COMP., FR. IN.	3	---	4	5	---	A	---	---	1	14111-MB4-315	2055168
	CAMSHAFT COMP., FR. IN.	3	---	4	5	---	A	---	---	1	14111-MB4-315	2055168
	CAMSHAFT COMP., FR. IN.	---	---	---	6	---	A	---	---	1	14111-MB4-830	2249126
	CAMSHAFT COMP., FR. IN.	---	---	---	6	AC	A	---	---	1	14111-MB4-850	2249134
3	CAMSHAFT COMP., RR. IN.	3	---	---	---	---	A	---	---	1	14121-MB4-000	1386234
	CAMSHAFT COMP., RR. IN.	3	---	---	---	---	A	---	---	1	14121-MB4-010	1534718
	CAMSHAFT COMP., RR. IN.	3	---	---	---	---	A	---	---	1	14121-MB4-020	1557909
	CAMSHAFT COMP., RR. IN.	---	---	4	5	---	A	---	---	1	14121-MB4-020	1557909
	CAMSHAFT COMP., RR. IN.	3	---	---	---	---	A	---	---	1	14121-MB4-315	2055176
	CAMSHAFT COMP., RR. IN.	---	---	4	5	---	A	---	---	1	14121-MB4-315	2055176
	CAMSHAFT COMP., RR. IN.	---	---	---	6	---	A	---	---	1	14121-MB4-830	2249142

Ref. No.	BLOCK NO. DESCRIPTION	E-3	VF1100C				AREA CODE	ENGINE SERIAL NUMBER		QTY REQ	PART NUMBER	HONDA CODE
			1	9	8	8		4	5 <th>6</th> <th>FROM</th> <th>TO</th>			
	3 = VF1100C'83 4 = VF1100C'84 5 = VF1100C'85 6 = VF1100C'86		1	9	8	8	4	5	6			
3	CAMSHAFT COMP., RR. IN.	---	---	---	---	6	AC	---	---	1	14121-MB4-850	2249159
4	CAMSHAFT COMP., FR. EX.	3	---	---	---	---	A	---	---	1	14131-MB4-000	1386242
	CAMSHAFT COMP., FR. EX.	3	---	---	---	---	A	---	---	1	14131-MB4-010	1534700
	CAMSHAFT COMP., FR. EX.	3	---	---	---	---	A	---	---	1	14131-MB4-020	1557917
	CAMSHAFT COMP., FR. EX.	---	4	5	---	---	A	---	---	1	14131-MB4-020	1557917
	CAMSHAFT COMP., FR. EX.	3	---	---	---	---	A	---	---	1	14131-MB4-315	2055184
	CAMSHAFT COMP., FR. EX.	---	4	5	---	---	A	---	---	1	14131-MB4-315	2055184
	CAMSHAFT COMP., FR. EX.	---	---	---	6	---	A	---	---	1	14131-MB4-830	2249167
	CAMSHAFT COMP., FR. EX.	---	---	---	6	AC	A	---	---	1	14131-MB4-850	2249175
5	CAMSHAFT COMP., RR. EX.	3	---	---	---	---	A	---	---	1	14141-MB4-000	1386259
	CAMSHAFT COMP., RR. EX.	3	---	---	---	---	A	---	---	1	14141-MB4-010	1538958
	CAMSHAFT COMP., RR. EX.	3	---	---	---	---	A	---	---	1	14141-MB4-020	1557925
	CAMSHAFT COMP., RR. EX.	---	4	5	---	---	A	---	---	1	14141-MB4-020	1557925
	CAMSHAFT COMP., RR. EX.	3	---	---	---	---	A	---	---	1	14141-MB4-315	2055192
	CAMSHAFT COMP., RR. EX.	---	4	5	---	---	A	---	---	1	14141-MB4-315	2055192
	CAMSHAFT COMP., RR. EX.	---	---	---	6	---	A	---	---	1	14141-MB4-830	2249191
	CAMSHAFT COMP., RR. EX.	---	---	---	6	AC	A	---	---	1	14141-MB4-850	2249209
6	ARM, VALVE ROCKER	3	---	4	---	---	A	---	---	8	14611-MB4-000	1386341
	ARM, VALVE ROCKER	---	4	---	---	---	A	---	---	8	14611-MB4-000	1386341
	ARM, VALVE ROCKER	---	---	5	6	---	A	---	---	8	14611-MB6-010	2426872
7	SHAFT, VALVE ROCKER ARM	3	---	---	---	---	A	---	---	8	14631-KE8-000	1289271
	SHAFT, VALVE ROCKER ARM	---	4	5	6	---	A	---	---	8	14631-KE8-000	1289271
8	VALVE, IN.	3	---	---	---	---	A	---	---	8	14711-MB4-000	1386358
	VALVE, IN.	---	4	5	6	---	A	---	---	8	14711-MB4-000	1386358
	VALVE, IN.	---	---	4	5	6	---	A	---	8	14711-MB6-000	1741339
9	VALVE, EX.	3	---	---	---	---	A	---	---	8	14721-MB4-000	1386366
	VALVE, EX.	---	4	5	6	---	A	---	---	8	14721-MB4-000	1386366
10	SPRING, VALVE OUTER	3	---	---	---	---	A	---	---	16	14751-MB4-003	1390103
	SPRING, VALVE OUTER	---	4	---	---	---	A	---	---	16	14751-MB4-003	1390103
	SPRING, VALVE OUTER	---	---	5	6	---	A	---	---	16	14751-MB1-871	1724293
11	SPRING, VALVE INNER	3	---	---	---	---	A	---	---	16	14761-MB4-003	1390111
	SPRING, VALVE INNER	---	4	---	---	---	A	---	---	16	14761-MB4-003	1390111
	SPRING, VALVE INNER	---	---	5	6	---	A	---	---	16	14761-MB1-871	1724301
12	RETAINER, VALVE SPRING	3	---	---	---	---	A	---	---	16	14771-MB4-000	1386374
	RETAINER, VALVE SPRING	---	4	5	6	---	A	---	---	16	14771-MB6-000	1741347

# CONTENTS

TITLE	PAGE	GRID
ALTERNATOR	28	1-C2
CAM CHAIN	15	1-B7
CAMSHAFT	12	1-B6
CARBURETOR (ASSY LINK)	64	1-D8
CARBURETOR (COMP. PARTS)	70	1-D11
CLUTCH	22	1-B11
COVER, RR.	30	1-C3
CRANKCASE COVER, R.	20	1-B10
CRANKSHAFT	42	1-C9
CROSS SHAFT	60	1-D6
CYLINDER BLOCK	38	1-C7
CYLINDER HEAD COVER	2	1-B1
CYLINDER, FR.	3	1-B1
CYLINDER, RR.	8	1-B4
GASKET KIT A	74	1-E1
GASKET KIT B	75	1-E1
GEARSHIFT DRUM	52	1-D2
OIL FILTER	34	1-C5
OIL PAN	34	1-C5
OIL PUMP	34	1-C5
PISTON	42	1-C9
PULSE ALTERNATOR	26	1-C1
STARTER CLUTCH	26	1-C1
STARTER MOTOR	32	1-C4
TENSIONER	15	1-B7
THERMOSTAT	56	1-D4
TRANSMISSION	48	1-C12
VALVE	12	1-B6
WATER PIPE	56	1-D4
WATER PUMP	30	1-C3

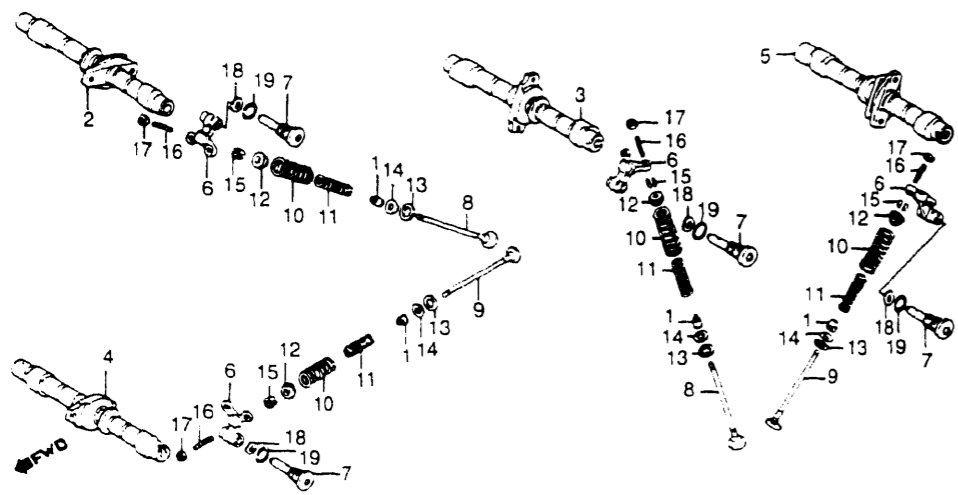
VF1100C'83 ENGINE NO.; SC12E-2000039 TO 2018597  
 VF1100C'83 FRAME NO.; SC120-DM000029 TO DM017677  
 VF1100C'84 ENGINE NO.; SC12E-2100001 TO 2116075  
 VF1100C'84 FRAME NO.; SC120-EA100001 TO EA117064

VF1100C'84 ENGINE NO.; SC12E-2102298 TO 2114635  
 VF1100C'84 FRAME NO.; SC121-EA100004 TO EA117067  
 VF1100C'85 ENGINE NO.; SC12E-2200001 TO 2208055  
 VF1100C'85 FRAME NO.; SC120-FA200006 TO FA208465

VF1100C'85 ENGINE NO.; SC12E-2200001 TO 2206580  
 VF1100C'85 FRAME NO.; SC121-FA200001 TO FA206845  
 VF1100C'86 ENGINE NO.; SC12E-2300020 TO 2304336  
 VF1100C'86 FRAME NO.; SC120-GM300101 TO GM304425

VF1100C'86 ENGINE NO.; SC12E-2300001 TO 2302532  
 VF1100C'86 FRAME NO.; SC121-GM301306 TO GM302625

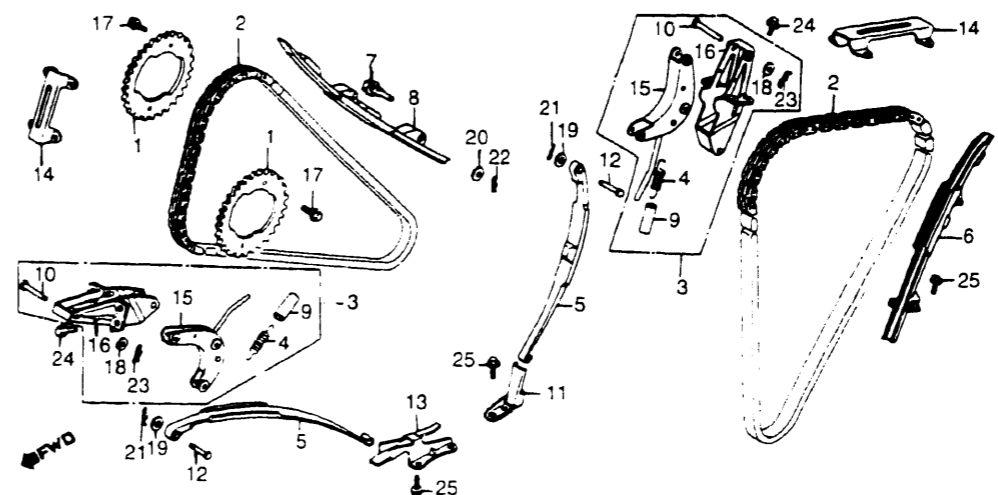
# CAMSHAFT • VALVE



E14MB4D03

Ref. No.	BLOCK NO. DESCRIPTION	E-3	VF1100C				AREA CODE	ENGINE SERIAL NUMBER FROM TO	QTY REQ	PART NUMBER	HONDA CODE
			1	2	3	4					
3 = VF1100C'83 4 = VF1100C'84 5 = VF1100C'85 6 = VF1100C'86			1	1	1	1					
	13 SEAT, VALVE SPRING OUTER	3	---	---	---	---	A	16	14775-422-000	0689018	
			4	5	6			16	14775-422-000	0689018	
	14 SEAT, VALVE SPRING INNER	3	---	---	---	---	A	16	14776-MB0-770	1289420	
			4	5	6			16	14776-MB0-770	1289420	
	15 COTTER, VALVE	3	---	---	---	---	A	32	14781-MB4-000	1416932	
			4	5	6			32	14781-MB4-000	1416932	
	16 SCREW, TAPPET ADJUSTING	3	---	---	---	---	A	16	90012-414-000	1117803	
			4	---	---	---		16	90012-414-000	1117803	
			---	5	---	---		16	90012-414-000	1117803	
			---	---	---	---		16	90012-414-000	1117803	
	SCREW, TAPPET ADJUSTING	---	---	5	---	---		16	90002-MB1-870	1724319	
			---	---	6	---		16	90002-MB1-870	1724319	
	17 NUT, TAPPET ADJUSTING	3	---	---	---	---	A	16	90206-590-000	0347815	
			4	5	6			16	90206-590-000	0347815	
	18 WASHER, WAVE, 12MM	3	---	---	---	---	A	8	90402-428-000	0684878	
			4	5	6			8	90402-428-000	0684878	
	19 O-RING, 21.5X2	3	---	---	---	---	A	8	91310-KE8-003	1425602	
			4	5	6			8	91310-KE8-003	1425602	

# CAM CHAIN • TENSIONER



E14MB4D04

Ref. No.	BLOCK NO. DESCRIPTION	E-4	VF1100C				AREA CODE	ENGINE SERIAL NUMBER FROM TO	QTY REQ	PART NUMBER	HONDA CODE
			1	2	3	4					
3 = VF1100C'83 4 = VF1100C'84 5 = VF1100C'85 6 = VF1100C'86			1	1	1	1					
	1 SPROCKET, CAM	3	---	---	---	---	A	4	14321-MB4-000	1386267	
			---	4	5	---		4	14321-MB4-000	1386267	
	SPROCKET, CAM	---	---	---	6	---		4	14321-MB4-830	2249217	
	2 CHAIN, CAM	3	---	---	---	---	A	2	14401-MB4-003	1390137	
			---	4	5	6		2	14401-MB4-003	1390137	
	3 BRACKET ASSY., TENSIONER	3	---	---	---	---	A	2	14510-MB3-000	1741297	
			---	4	5	6		2	14510-MB3-000	1741297	
			---	4	---	---		2	14510-MB3-000	1741297	
			---	---	5	---		2	14510-MB3-000	1741297	
	BRACKET ASSY., TENSIONER	3	---	---	---	---	A	2	14510-MB3-010	2050920	
			---	4	5	6		2	14510-MB3-010	2050920	
			---	4	---	---		2	14510-MB3-010	2050920	
			---	---	5	---		2	14510-MB3-010	2050920	
	BRACKET ASSY., TENSIONER	3	---	---	---	---	A	2	14510-MB3-020	2249266	
			---	4	---	---		2	14510-MB3-020	2249266	
			---	4	---	---	AC	2	14510-MB3-020	2249266	
			---	---	6	---		2	14510-MB3-020	2249266	
	BRACKET ASSY., TENSIONER	3	---	---	---	---	A	2	14510-MB3-030	3826211	
			---	4	5	6		2	14510-MB3-030	3826211	
			---	4	---	---		2	14510-MB3-030	3826211	
			---	---	5	---		2	14510-MB3-030	3826211	

E AMERICAN HONDA MOTOR CO. INC. 1994 15

# CONTENTS

TITLE	PAGE	GRID
ALTERNATOR	28	1-C2
CAM CHAIN	15	1-B7
CAMSHAFT	12	1-B6
CARBURETOR (ASSY LINK)	64	1-D8
CARBURETOR (COMP. PARTS)	70	1-D11
CLUTCH	22	1-B11
COVER, RR	30	1-C3
CRANKCASE COVER, R	20	1-B10
CRANKSHAFT	42	1-C9
CROSS SHAFT	60	1-D6
CYLINDER BLOCK	38	1-C7
CYLINDER HEAD COVER	2	1-B1
CYLINDER, FR	3	1-B1
CYLINDER, RR	8	1-B4
GASKET KIT A	74	1-E1
GASKET KIT B	75	1-E1
GEARSHIFT DRUM	52	1-D2
OIL FILTER	34	1-C5
OIL PAN	34	1-C5
OIL PUMP	34	1-C5
PISTON	42	1-C9
PULSE ALTERNATOR	26	1-C1
STARTER CLUTCH	26	1-C1
STARTER MOTOR	32	1-C4
TENSIONER	15	1-B7
THERMOSTAT	56	1-D4
TRANSMISSION	48	1-C12
VALVE	12	1-B6
WATER PIPE	56	1-D4
WATER PUMP	30	1-C3

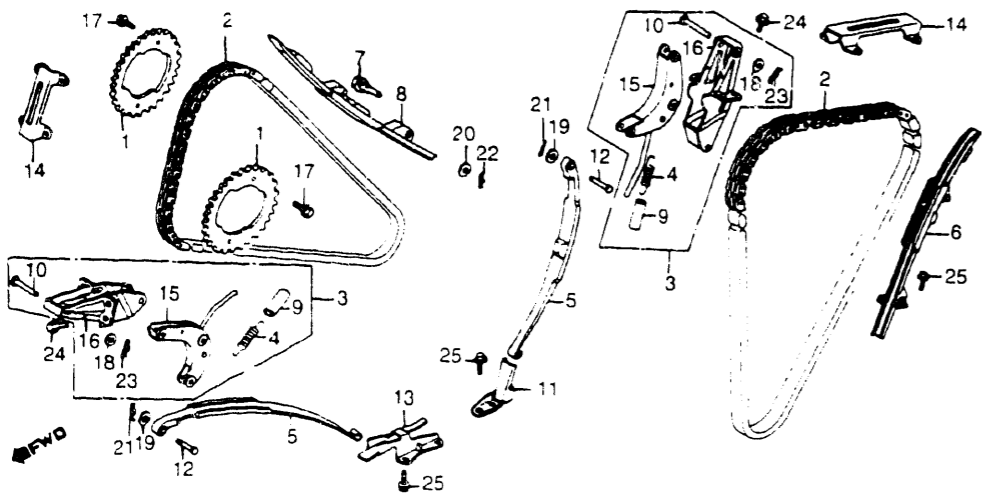
VF1100C'83 ENGINE NO.; SC12E-2000039 TO 2018597  
 VF1100C'83 FRAME NO.; SC120-DM000029 TO DM017677  
 VF1100C'84 ENGINE NO.; SC12E-2100001 TO 2116075  
 VF1100C'84 FRAME NO.; SC120-EA100001 TO EA117064

VF1100C'84 ENGINE NO.; SC12E-2102298 TO 2114635  
 VF1100C'84 FRAME NO.; SC121-EA100004 TO EA117067  
 VF1100C'85 ENGINE NO.; SC12E-2200001 TO 2208055  
 VF1100C'85 FRAME NO.; SC120-FA200006 TO FA208465

VF1100C'85 ENGINE NO.; SC12E-2200001 TO 2206580  
 VF1100C'85 FRAME NO.; SC121-FA200001 TO FA206845  
 VF1100C'86 ENGINE NO.; SC12E-2300020 TO 2304336  
 VF1100C'86 FRAME NO.; SC120-GM300101 TO GM304425

VF1100C'86 ENGINE NO.; SC12E-2300001 TO 2302532  
 VF1100C'86 FRAME NO.; SC121-GM301306 TO GM302625

# CAM CHAIN • TENSIONER



E14MB4D04

Ref. No.	BLOCK NO. DESCRIPTION	E-4	VF1100C				AREA CODE	ENGINE SERIAL NUMBER FROM TO	QTY REQ	PART NUMBER	HONDA CODE
			1	9	8	3					
	3 = VF1100C'83 4 = VF1100C'84 5 = VF1100C'85 6 = VF1100C'86		1	9	8	3					
3	BRACKET ASSY., TENSIONER		3	---	---	A	---	---	2	14510-MB4-000 1386275	
			---	4	---	A	---	2107929	2	14510-MB4-000 1386275	
			---	4	---	AC	---	---	2	14510-MB4-000 1386275	
	BRACKET ASSY., TENSIONER		3	---	---	A	---	---	2	14510-MB4-010 1756626	
			---	4	---	A	---	2107929	2	14510-MB4-010 1756626	
			---	4	6	---	---	---	2	14510-MB4-010 1756626	
			---	5	---	---	2201015	2	14510-MB4-010 1756626		
4	SPRING, CAM CHAIN TENSIONER		3	---	---	A	---	---	2	14514-MB4-000 1385665	
			---	4	5 6	---	---	---	2	14514-MB4-000 1385665	
5	TENSIONER, CAM CHAIN		3	---	---	A	---	---	2	14515-MB0-000 1241454	
			---	4	5 6	---	---	---	2	14515-MB0-000 1241454	
	TENSIONER, CAM CHAIN		3	---	---	A	---	---	2	14515-MB0-010 2247005	
			---	4	5 6	---	---	---	2	14515-MB0-010 2247005	
6	GUIDE COMP. A, CAM CHAIN		3	---	---	A	---	---	1	14520-MB4-000 1386283	
			---	4	5 6	---	---	---	1	14520-MB4-000 1386283	
7	BOLT, CAM CHAIN GUIDE A		3	---	---	A	---	---	1	14521-MB0-000 1241496	
			---	4	5	---	---	---	1	14521-MB0-000 1241496	
	BOLT, CAM CHAIN GUIDE A		---	---	6	---	---	---	1	14521-MB0-010 2247013	

Ref. No.	BLOCK NO. DESCRIPTION	E-4	VF1100C				AREA CODE	ENGINE SERIAL NUMBER FROM TO	QTY REQ	PART NUMBER	HONDA CODE
			1	9	8	3					
	3 = VF1100C'83 4 = VF1100C'84 5 = VF1100C'85 6 = VF1100C'86		1	9	8	3					
8	GUIDE A, CAM CHAIN		3	---	---	A	---	---	1	14522-MB4-000 1386291	
			---	4	5 6	---	---	---	1	14522-MB4-000 1386291	
9	TUBE, TENSIONER SPRING		3	---	---	A	---	2016256	2	14525-MB0-000 1241512	
	TUBE, TENSIONER SPRING		3	---	---	A	---	2016256	2	14525-MB0-010 1707785	
			3	---	---	A	---	---	2	14525-MB0-010 1707785	
			---	4	5 6	---	---	---	2	14525-MB0-010 1707785	
	TUBE, TENSIONER SPRING		3	---	---	A	---	2016256	2	14525-MB0-020 2524353	
			3	---	---	A	---	---	2	14525-MB0-020 2524353	
			---	4	5 6	---	---	---	2	14525-MB0-020 2524353	
10	PIN, 8X43.2		3	---	---	A	---	---	2	14526-MB0-000 1241520	
			---	4	5 6	---	---	---	2	14526-MB0-000 1241520	
11	HOLDER ASSY. A, TENSIONER		3	---	---	A	---	---	1	14530-MB4-000 1386309	
			---	4	5 6	---	---	---	1	14530-MB4-000 1386309	
12	PIN A, ARM		3	---	---	A	---	---	2	14533-MB0-000 1241546	
			---	4	5 6	---	---	---	2	14533-MB0-000 1241546	
13	HOLDER ASSY. B, TENSIONER		3	---	---	A	---	---	1	14540-MB4-000 1386317	
			---	4	5 6	---	---	---	1	14540-MB4-000 1386317	
14	GUIDE B, CAM CHAIN		3	---	---	A	---	---	2	14541-MB4-000 1386325	
			---	4	5 6	---	---	---	2	14541-MB4-000 1386325	
15	ARM COMP., CAM CHAIN TENSIONER		3	---	---	A	---	---	2	14550-MB4-000 1386333	
			---	4	---	---	2110969	2	14550-MB4-000 1386333		
	ARM COMP., CAM CHAIN TENSIONER		3	---	---	A	---	---	2	14550-MB4-010 1982370	
			---	4	---	---	2110969	2	14550-MB4-010 1982370		
			---	4	---	---	2110970	2	14550-MB4-010 1982370		
			---	5	---	---	2201015	2	14550-MB4-010 1982370		
	ARM COMP., CAM CHAIN TENSIONER		---	5	---	---	2201016	2	14550-MB3-000 1741305		
	ARM COMP., CAM CHAIN TENSIONER		---	5	---	---	2201016	2	14550-MB3-010 2156677		
			---	6	---	---	---	2	14550-MB3-010 2156677		
16	BRACKET COMP., CAM CHAIN TENSIONER HOLDER		3	---	---	A	---	---	2	14560-MB0-000 1241587	
			---	4	---	---	---	2	14560-MB0-000 1241587		
			---	5	---	---	2201015	2	14560-MB0-000 1241587		
	BRACKET COMP., CAM CHAIN TENSIONER HOLDER		---	5	---	---	2201016	2	14560-MB0-870 1780956		
	BRACKET COMP., CAM CHAIN TENSIONER HOLDER		---	5	---	---	2201016	2	14560-MB0-871 2011245		
			---	6	---	---	---	2	14560-MB0-871 2011245		
	BRACKET COMP., CAM CHAIN TENSIONER HOLDER		---	5	---	---	2201016	2	14560-MB0-872 2247039		
			---	6	---	---	---	2	14560-MB0-872 2247039		

CONTENTS		
TITLE	PAGE	GRID
ALTERNATOR	28	1-C2
CAM CHAIN	15	1-B7
CAMSHAFT	12	1-B6
CARBURETOR (ASSY. LINK)	64	1-DB
CARBURETOR (COMP PARTS)	70	1-D11
CLUTCH	22	1-B11
COVER, RR	30	1-C3
CRANKCASE COVER, R	20	1-B10
CRANKSHAFT	42	1-C9
CROSS SHAFT	60	1-D6
CYLINDER BLOCK	38	1-C7
CYLINDER HEAD COVER	2	1-B1
CYLINDER, FR	3	1-B1
CYLINDER, RR	8	1-B4
GASKET KIT A	74	1-E1
GASKET KIT B	75	1-E1
GEARSHIFT DRUM	52	1-D2
OIL FILTER	34	1-C5
OIL PAN	34	1-C5
OIL PUMP	34	1-C5
PISTON	42	1-C9
PULSE ALTERNATOR	26	1-C1
STARTER CLUTCH	26	1-C1
STARTER MOTOR	32	1-C4
TENSIONER	15	1-B7
THERMOSTAT	56	1-D4
TRANSMISSION	48	1-C12
VALVE	12	1-B6
WATER PIPE	56	1-D4
WATER PUMP	30	1-C3

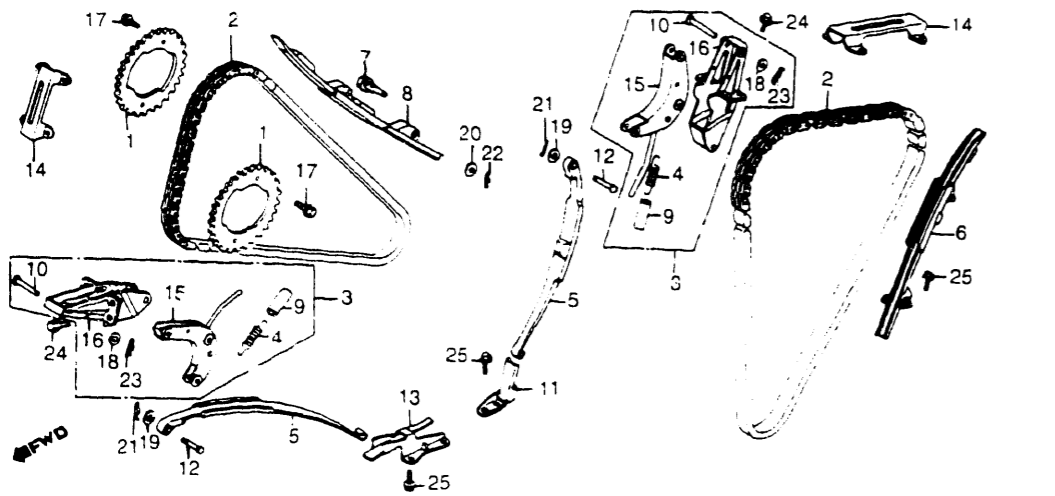
VF1100C'83 ENGINE NO.; SC12E-2000039 TO 2018597  
 VF1100C'83 FRAME NO.; SC120-DM000029 TO DM017677  
 VF1100C'84 ENGINE NO.; SC12E-2100001 TO 2116075  
 VF1100C'84 FRAME NO.; SC120-EA100001 TO EA117064

VF1100C'84 ENGINE NO.; SC12E-2102298 TO 2114635  
 VF1100C'84 FRAME NO.; SC121-EA100004 TO EA117067  
 VF1100C'85 ENGINE NO.; SC12E-2200001 TO 2208055  
 VF1100C'85 FRAME NO.; SC120-FA200006 TO FA208465

VF1100C'85 ENGINE NO.; SC12E-2200001 TO 2206580  
 VF1100C'85 FRAME NO.; SC121-FA200001 TO FA206845  
 VF1100C'86 ENGINE NO.; SC12E-2300020 TO 2304336  
 VF1100C'86 FRAME NO.; SC120-GM300101 TO GM304425

VF1100C'86 ENGINE NO.; SC12E-2300001 TO 2302532  
 VF1100C'86 FRAME NO.; SC121-GM301306 TO GM302625

# CAM CHAIN • TENSIONER



E14MB4D04

Ref. No	BLOCK NO DESCRIPTION	E-4	VF1100C				AREA CODE	ENGINE SERIAL NUMBER FROM TO	QTY REQ	PART NUMBER	HONDA CODE
			1	1	1	1					
	3 = VF1100C'83		1	1	1	1					
	4 = VF1100C'84		9	9	9	9					
	5 = VF1100C'85		8	8	8	8					
	6 = VF1100C'86		3	4	5	6					
16	BRACKET COMP., CAM CHAIN TENSIONER HOLDER				5		2201016		2	14560-MB0-873 2585362	
					6				2	14560-MB0-873 2585362	
17	BOLT, UBS, 7X15		3			A			8	90026-ME9-000 1370915	
				4	5	6			8	90026-ME9-000 1370915	
	BOLT, UBS, 7X15		3			A			8	90026-MM8-000 2566990	
				4	5	6			8	90026-MM8-000 2566990	
18	WASHER, 8MM		3			A			2	90405-463-000 0886168	
				4	5	6			2	90405-463-000 0886168	
19	WASHER, 6MM		3			A			2	90485-286-000 0155077	
				4			2110944		2	90485-286-000 0155077	
	WASHER, 6MM			4			2110945		2	90485-KE8-000 1768571	
				5	6				2	90485-KE8-000 1768571	
20	WASHER, 7MM		3			A			1	90486-MB0-000 1243658	
				4	5	6			1	90486-MB0-000 1243658	
21	PIN, SPECIAL LOCK, 6MM		3			A			2	90704-MB0-000 1243740	
				4	5	6			2	90704-MB0-000 1243740	
22	PIN, LOCK, 6MM		3			A			1	94251-06000 0058487	
				4	5				1	94251-06000 0058487	

Ref. No	BLOCK NO DESCRIPTION	E-4	VF1100C				AREA CODE	ENGINE SERIAL NUMBER FROM TO	QTY REQ	PART NUMBER	HONDA CODE
			1	1	1	1					
	3 = VF1100C'83		1	1	1	1					
	4 = VF1100C'84		9	9	9	9					
	5 = VF1100C'85		8	8	8	8					
	6 = VF1100C'86		3	4	5	6					
22	PIN, LOCK, 5MM					6			1	94251-05000 0119305	
23	PIN, LOCK, 8MM		3			A			2	94251-08000 0115527	
				4	5	6			2	94251-08000 0115527	
24	BOLT, FLANGE, 6X16		3			A			8	95700-06016-00 0496653	
				4	5	6			8	95700-06016-00 0496653	
	BOLT, FLANGE, 6X16		3			A			8	95701-06016-00 2410892	
				4	5	6			8	95701-06016-00 2410892	
25	BOLT, FLANGE, 6X14		3			A			6	96000-06014-00 0782854	
				4	5	6			6	96000-06014-00 0782854	
	BOLT, FLANGE, 6X14		3			A			6	96001-06014-00 2154672	
				4	5	6			6	96001-06014-00 2154672	

CONTENTS		
TITLE	PAGE	GRID
ALTERNATOR	28	1-C2
CAM CHAIN	15	1-B7
CAMSHAFT	12	1-B6
CARBURETOR (ASSY. LINK)	64	1-D8
CARBURETOR (COMP. PARTS)	70	1-D11
CLUTCH	22	1-B11
COVER, RR.	30	1-C3
CRANKCASE COVER, R.	20	1-B10
CRANKSHAFT	42	1-C9
CROSS SHAFT	60	1-D6
CYLINDER BLOCK	38	1-C7
CYLINDER HEAD COVER	2	1-B1
CYLINDER, FR.	3	1-B1
CYLINDER, RR.	8	1-B4
GASKET KIT A	74	1-E1
GASKET KIT B	75	1-E1
GEARSHIFT DRUM	52	1-D2
OIL FILTER	34	1-C5
OIL PAN	34	1-C5
OIL PUMP	34	1-C5
PISTON	42	1-C9
PULSE ALTERNATOR	26	1-C1
STARTER CLUTCH	26	1-C1
STARTER MOTOR	32	1-C4
TENSIONER	15	1-B7
THERMOSTAT	56	1-D4
TRANSMISSION	48	1-C12
VALVE	12	1-B6
WATER PIPE	56	1-D4
WATER PUMP	30	1-C3

VF1100C'83 ENGINE NO.; SC12E-2000039 TO 2018597  
 VF1100C'83 FRAME NO.; SC120-DM000029 TO DM017677  
 VF1100C'84 ENGINE NO.; SC12E-2100001 TO 2116075  
 VF1100C'84 FRAME NO.; SC120-EA100001 TO EA117064

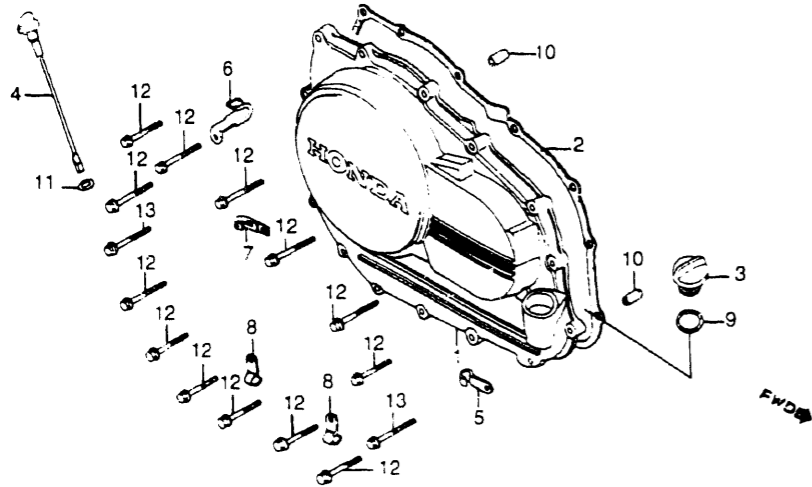
VF1100C'84 ENGINE NO.; SC12E-2102298 TO 2114635  
 VF1100C'84 FRAME NO.; SC121-EA100004 TO EA117067  
 VF1100C'85 ENGINE NO.; SC12E-2200001 TO 2208055  
 VF1100C'85 FRAME NO.; SC120-FA200006 TO FA208465

VF1100C'85 ENGINE NO.; SC12E-2200001 TO 2206580  
 VF1100C'85 FRAME NO.; SC121-FA200001 TO FA206845  
 VF1100C'86 ENGINE NO.; SC12E-2300020 TO 2304336  
 VF1100C'86 FRAME NO.; SC120-GM300101 TO GM304425

VF1100C'86 ENGINE NO.; SC12E-2300001 TO 2302532  
 VF1100C'86 FRAME NO.; SC121-GM301306 TO GM302625



# RIGHT CRANKCASE COVER



E14MB4D05

Ref. No.	BLOCK NO. DESCRIPTION	VF1100C				AREA	ENGINE SERIAL NUMBER		QTY REQ	PART NUMBER	HONDA CODE
		1	9	8	3		FROM	TO			
	3 = VF1100C'83 4 = VF1100C'84 5 = VF1100C'85 6 = VF1100C'86	1	9	8	3						
1	COVER ASSY., R. ....	3	--	--	--	A	--	--	1	11330-MB4-000 1386028	
	COVER, R. ....	--	4	5	--		--	--	1	11330-MB4-000 1386028	
		--	--	--	6		--	--	1	11330-MB4-830 2248920	
2	GASKET, R. COVER ....	3	--	--	--	A	--	--	1	11394-MB4-000 1386069	
	GASKET, R. COVER ....	--	4	5	6		--	--	1	11394-MB4-000 1386069	
		3	--	--	--	A	--	--	1	11394-MB4-306 4301024	
		--	4	5	6		--	--	1	11394-MB4-306 4301024	
3	CAP, OIL FILTER ....	3	--	--	--	A	--	--	1	15611-MB0-000 1241728	
		--	4	5	6		--	--	1	15611-MB0-000 1241728	
4	DIPSTICK ....	3	--	--	--	A	--	--	1	15650-MB4-000 1390145	
		--	4	5	6		--	--	1	15650-MB4-000 1390145	
5	CLIP, AIR VENT TUBE ....	3	--	--	--	A	--	--	1	17215-393-780 0634279	
		--	4	5	--		--	--	1	17215-393-780 0634279	
6	CLAMP, PULSER WIRE ....	3	--	--	--	A	--	--	1	30301-MB0-000 1243070	
		--	4	5	6		--	--	1	30301-MB0-000 1243070	
7	CLAMP, STARTER CABLE ....	3	--	--	--	A	--	--	1	31211-MB0-000 1260322	
		--	4	5	6		--	--	1	31211-MB0-000 1260322	
8	CLAMP, SWITCH WIRE ....	3	--	--	--	A	--	--	2	35211-443-760 1390160	
		--	4	5	6		--	--	2	35211-443-760 1390160	

Ref. No.	BLOCK NO. DESCRIPTION	VF1100C				AREA	ENGINE SERIAL NUMBER		QTY REQ	PART NUMBER	HONDA CODE
		1	9	8	3		FROM	TO			
	3 = VF1100C'83 4 = VF1100C'84 5 = VF1100C'85 6 = VF1100C'86	1	9	8	3						
9	O-RING, 22X3.0 .....	3	--	--	--	A	--	--	1	91301-250-000 0035287	
	O-RING, 22X3.0 .....	--	4	5	6		--	--	1	91301-250-000 0035287	
10	PIN A, DOWEL, 8X14 .....	3	--	--	--	A	--	--	2	94301-08140 0069310	
		--	4	5	6		--	--	2	94301-08140 0069310	
11	O-RING, 8.4X2.4 .....	3	--	--	--	A	--	--	1	94608-10000 0250563	
	O-RING, 8.4X2.4 .....	--	4	--	--		--	--	1	94608-10000 0250563	
12	BOLT, FLANGE, 6X28 .....	3	--	--	--	A	--	--	13	96000-06028-07 0807339	
	BOLT, FLANGE, 6X28 .....	--	4	5	6		--	--	13	96000-06028-07 0807339	
		3	--	--	--	A	--	--	13	96001-06028-07 2106011	
		--	4	5	6		--	--	13	96001-06028-07 2106011	
13	BOLT, FLANGE, 6X35 .....	3	--	--	--	A	--	--	2	96000-06035-07 0807362	
	BOLT, FLANGE, 6X35 .....	--	4	5	6		--	--	2	96000-06035-07 0807362	
		3	--	--	--	A	--	--	2	96001-06035-07 2533891	
		--	4	5	6		--	--	2	96001-06035-07 2533891	

# CONTENTS

TITLE	PAGE	GRID
ALTERNATOR	28	1-C2
CAM CHAIN	15	1-B7
CAMSHAFT	12	1-B6
CARBURETOR (ASSY. LINK)	64	1-D8
CARBURETOR (COMP. PARTS)	70	1-D11
CLUTCH	22	1-B11
COVER, RR.	30	1-C3
CRANKCASE COVER, R.	20	1-B10
CRANKSHAFT	42	1-C9
CROSS SHAFT	60	1-D6
CYLINDER BLOCK	38	1-C7
CYLINDER HEAD COVER	2	1-B1
CYLINDER, FR.	3	1-B1
CYLINDER, FR.	8	1-B4
GASKET KIT A	74	1-E1
GASKET KIT B	75	1-E1
GEARSHIFT DRUM	52	1-D2
OIL FILTER	34	1-C5
OIL PAN	34	1-C5
OIL PUMP	34	1-C5
PISTON	42	1-C9
PULSE ALTERNATOR	26	1-C1
STARTER CLUTCH	26	1-C1
STARTER MOTOR	32	1-C4
TENSIONER	15	1-B7
THERMOSTAT	56	1-D4
TRANSMISSION	48	1-C12
VALVE	12	1-B6
WATER PIPE	56	1-D4
WATER PUMP	30	1-C3

VF1100C'83 ENGINE NO.; SC12E-2000039 TO 2018597  
 VF1100C'83 FRAME NO.; SC120-DM000029 TO DM017677  
 VF1100C'84 ENGINE NO.; SC12E-2100001 TO 2116075  
 VF1100C'84 FRAME NO.; SC120-EA100001 TO EA117064

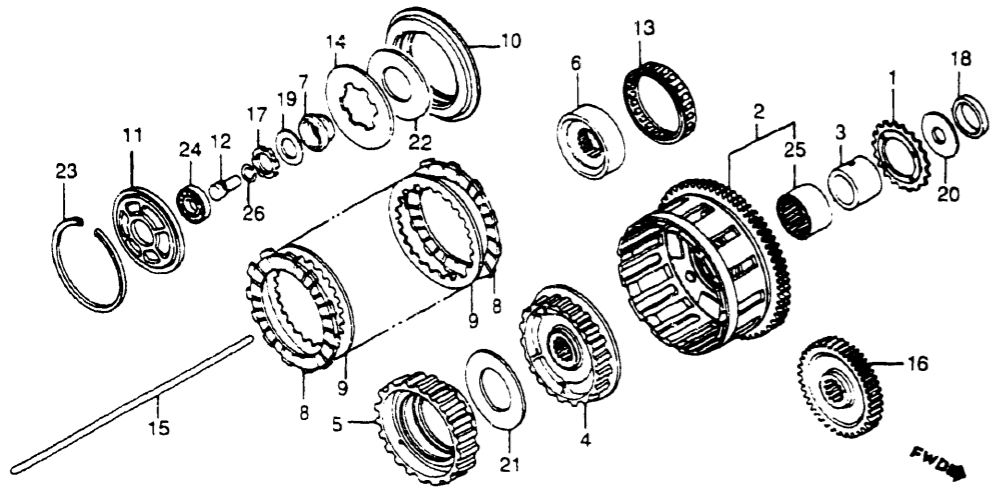
VF1100C'84 ENGINE NO.; SC12E-2102298 TO 2114635  
 VF1100C'84 FRAME NO.; SC121-EA100004 TO EA117067  
 VF1100C'85 ENGINE NO.; SC12E-2200001 TO 2208055  
 VF1100C'85 FRAME NO.; SC120-FA200006 TO FA208465

VF1100C'85 ENGINE NO.; SC12E-2200001 TO 2206580  
 VF1100C'85 FRAME NO.; SC121-FA200001 TO FA206845  
 VF1100C'86 ENGINE NO.; SC12E-2300020 TO 2304336  
 VF1100C'86 FRAME NO.; SC120-GM300101 TO GM304425

VF1100C'86 ENGINE NO.; SC12E-2300001 TO 2302532  
 VF1100C'86 FRAME NO.; SC121-GM301306 TO GM302625



# CLUTCH



E14MB4D06

Ref. No.	BLOCK NO. DESCRIPTION	E-6	VF1100C				AREA CODE	ENGINE SERIAL NUMBER		QTY REQ	PART NUMBER	HONDA CODE
			1	1	1	1		FROM	TO			
	3 = VF1100C'83		1	1	1	1						
	4 = VF1100C'84		9	9	9	9						
	5 = VF1100C'85		8	8	8	8						
	6 = VF1100C'86		3	4	5	6						
1	SPROCKET, OIL PUMP DRIVE	3	---	---	---	A	---	---	1	15131-MB4-000	1386390	
			4	---	---		---	---	1	15131-MB4-000	1386390	
			---	5	---		2204055	---	1	15131-MB4-000	1386390	
	SPROCKET COMP., OIL PUMP DRIVEN	---	---	5	---		2204056	---	1	15131-MB6-000	1741354	
			---	6	---		---	---	1	15131-MB6-000	1741354	
2	OUTER COMP., CLUTCH	3	---	---	---	A	---	---	1	22100-MB4-003	1387000	
			4	5	---		---	---	1	22100-MB4-003	1387000	
	OUTER COMP., CLUTCH	---	---	6	---		---	---	1	22100-MB4-830	2250116	
3	GUIDE, CLUTCH OUTER	3	---	---	---	A	---	---	1	22116-MB4-000	1387018	
			4	5	6		---	---	1	22116-MB4-000	1387018	
4	CENTER A, CLUTCH	3	---	---	---	A	---	---	1	22120-MB4-003	1387026	
			4	---	---		2108410	---	1	22120-MB4-003	1387026	
	CENTER A, CLUTCH	3	---	---	---	A	---	---	1	22120-MB4-013	1742469	
			4	---	---		2108410	---	1	22120-MB4-013	1742469	
			4	5	6		---	---	1	22120-MB4-013	1742469	
5	CENTER B, CLUTCH	3	---	---	---	A	---	---	1	22131-MB4-000	1387034	
			4	---	---	A	2110945	---	1	22131-MB4-000	1387034	
			4	---	---	AC	2111389	---	1	22131-MB4-000	1387034	

Ref. No.	BLOCK NO. DESCRIPTION	E-6	VF1100C				AREA CODE	ENGINE SERIAL NUMBER		QTY REQ	PART NUMBER	HONDA CODE
			1	1	1	1		FROM	TO			
	3 = VF1100C'83		1	1	1	1						
	4 = VF1100C'84		9	9	9	9						
	5 = VF1100C'85		8	8	8	8						
	6 = VF1100C'86		3	4	5	6						
5	CENTER B, CLUTCH	3	---	---	---	A	---	---	1	22131-MB4-010	1742477	
			4	---	---	A	2110945	---	1	22131-MB4-010	1742477	
			4	5	6		---	---	1	22131-MB4-010	1742477	
			4	---	---	AC	2111389	---	1	22131-MB4-010	1742477	
6	INNER, ONE WAY CLUTCH	3	---	---	---	A	---	---	1	22141-MB4-000	1390178	
			4	5	6		---	---	1	22141-MB4-000	1390178	
7	PLATE, SPRING SETTING	3	---	---	---	A	---	---	1	22151-MB4-000	1385467	
	PLATE, SPRING SETTING	---	---	6	---		---	---	1	22151-MB4-000	1385467	
8	DISK A, CLUTCH FRICTION	3	---	---	---	A	---	---	8	22201-MN5-020	2954352	
			4	5	6		---	---	8	22201-MN5-020	2954352	
	DISK A, CLUTCH FRICTION	3	---	---	---	A	---	---	8	22201-425-000	0716589	
			4	5	6		---	---	8	22201-425-000	0716589	
9	PLATE, CLUTCH	3	---	---	---	A	---	---	7	22321-425-000	0716605	
			4	5	6		---	---	7	22321-425-000	0716605	
10	PLATE, CLUTCH PRESSURE	3	---	---	---	A	---	---	1	22351-MB4-003	1387042	
	PLATE, CLUTCH PRESSURE	3	---	---	---	A	---	---	1	22351-MB4-013	1708007	
			4	5	6		---	---	1	22351-MB4-013	1708007	
11	PLATE, CLUTCH LIFTER	3	---	---	---	A	---	---	1	22352-MB0-770	1291095	
			4	5	6		---	---	1	22352-MB0-770	1291095	
12	PIECE, CLUTCH JOINT	3	---	---	---	A	---	---	1	22366-MB4-000	1387059	
			4	---	---		---	---	1	22366-MB4-000	1387059	
	PIECE, CLUTCH JOINT	---	---	5	6		---	---	1	22366-MB3-000	1742493	
13	CLUTCH, ONE WAY	3	---	---	---	A	---	---	1	22425-MB4-003	1385681	
			4	5	6		---	---	1	22425-MB4-003	1385681	
14	SPRING, CLUTCH	3	---	---	---	A	---	---	1	22441-MB4-003	1387067	
			4	5	6		---	---	1	22441-MB4-003	1387067	
15	ROD, CLUTCH LIFTER	3	---	---	---	A	---	---	1	22850-MB4-000	1387075	
			4	5	6		---	---	1	22850-MB4-000	1387075	
16	GEAR, PRIMARY DRIVE (41T)	3	---	---	---	A	---	---	1	23103-MB4-000	1387091	
	GEAR, PRIMARY DRIVE (41T)	---	4	5	6		---	---	1	23103-MB4-770	1663202	
17	NUT, LOCK, 25MM	3	---	---	---	A	---	---	1	90050-422-000	0689810	
			4	---	---		---	---	1	90050-422-000	0689810	
			---	5	---		---	2204124	1	90050-422-000	0689810	
	NUT, LOCK, 25MM	---	---	5	---		2204124	---	1	90050-MB6-000	1755289	
			---	6	---		---	---	1	90050-MB6-000	1755289	
18	COLLAR, 30.2X9.2	3	---	---	---	A	---	---	1	90203-MB4-000	1388800	
			4	5	6		---	---	1	90203-MB4-000	1388800	

# CONTENTS

TITLE	PAGE	GRID
ALTERNATOR	28	1-C2
CAM CHAIN	15	1-B7
CAMSHAFT	12	1-B6
CARBURETOR (ASSY. LINK)	64	1-D8
CARBURETOR (COMP. PARTS)	70	1-D11
CLUTCH	22	1-B11
COVER, RR	30	1-C3
CRANKCASE COVER, R	20	1-B10
CRANKSHAFT	42	1-C9
CROSS SHAFT	60	1-D6
CYLINDER BLOCK	38	1-C7
CYLINDER HEAD COVER	2	1-B1
CYLINDER, FR.	3	1-B1
CYLINDER, RR.	8	1-B4
GASKET KIT A	74	1-E1
GASKET KIT B	75	1-E1
GEARSHIFT DRUM	52	1-D2
OIL FILTER	34	1-C5
OIL PAN	34	1-C5
OIL PUMP	34	1-C5
PISTON	42	1-C9
PULSE ALTERNATOR	26	1-C1
STARTER CLUTCH	26	1-C1
STARTER MOTOR	32	1-C4
TENSIONER	15	1-B7
THERMOSTAT	56	1-D4
TRANSMISSION	48	1-C12
VALVE	12	1-B6
WATER PIPE	56	1-D4
WATER PUMP	30	1-C3

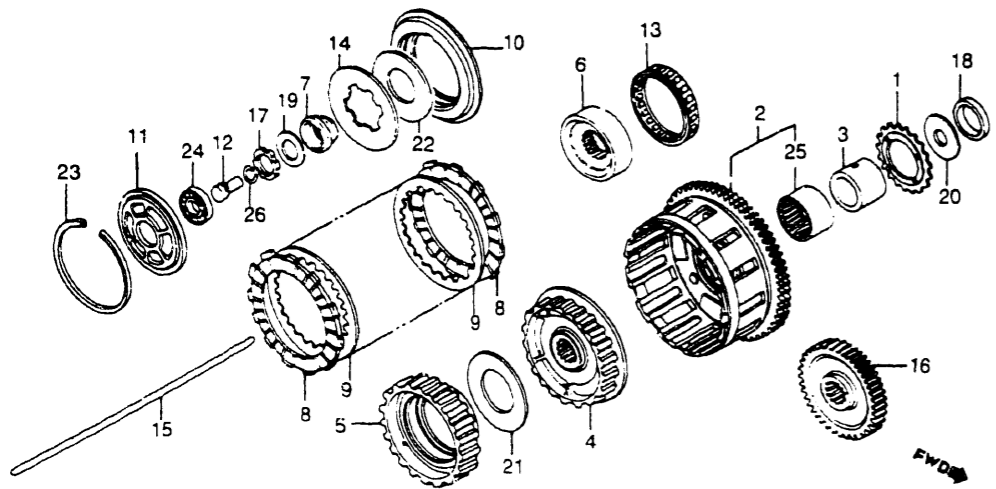
VF1100C'83 ENGINE NO.; SC12E-2000039 TO 2018597  
 VF1100C'83 FRAME NO.; SC120-DM000029 TO DM017677  
 VF1100C'84 ENGINE NO.; SC12E-2100001 TO 2116075  
 VF1100C'84 FRAME NO.; SC120-EA100001 TO EA117064

VF1100C'84 ENGINE NO.; SC12E-2102298 TO 2114635  
 VF1100C'84 FRAME NO.; SC121-EA100004 TO EA117067  
 VF1100C'85 ENGINE NO.; SC12E-2200001 TO 2208055  
 VF1100C'85 FRAME NO.; SC120-FA200006 TO FA208465

VF1100C'85 ENGINE NO.; SC12E-2200001 TO 2206580  
 VF1100C'85 FRAME NO.; SC121-FA200001 TO FA206845  
 VF1100C'86 ENGINE NO.; SC12E-2300020 TO 2304336  
 VF1100C'86 FRAME NO.; SC120-GM300101 TO GM304425

VF1100C'86 ENGINE NO.; SC12E-2300001 TO 2302532  
 VF1100C'86 FRAME NO.; SC121-GM301306 TO GM302625

# CLUTCH



E14MB4D06

Ref. No.	BLOCK NO. DESCRIPTION	VF1100C				AREA CODE	ENGINE SERIAL NUMBER		QTY REQ	PART NUMBER	HONDA CODE
		1	1	1	1		FROM	TO			
		3	4	5	6	A					
19	WASHER, 25MM	3	---	---	---	A	---	---	1	90434-422-000	0689844
		---	4	5	6				1	90434-422-000	0689844
20	WASHER, THRUST, 30MM	3	---	---	---	A	---	---	1	90459-MB4-000	1388842
		---	4	5	6				1	90459-MB4-000	1388842
21	WASHER, 44X85X1.6	3	---	---	---	A	---	---	1	90461-MB0-770	1292135
		---	4	---	---				1	90461-MB0-770	1292135
	WASHER, 44X85X1.6	---	---	5	6				1	90461-MJ0-000	1722891
22	WASHER, 48X74X3.2	3	---	---	---	A	---	---	1	90462-MB4-000	1385491
		---	4	---	---				1	90462-MB4-000	1385491
	WASHER, 48X78X3.2	---	---	5	6				1	90462-MB6-000	1755388
23	CIRCLIP, INTERNAL, 95	3	---	---	---	A	---	---	1	90601-MB4-000	1390186
		---	4	5	6				1	90601-MB4-010	1436948
		---	---	---	---				1	90601-MB0-771	1556549
24	BEARING, RADIAL BALL, 16003	3	---	---	---	A	---	---	1	91008-KK6-000	2043123
		---	4	5	6				1	91008-KK6-000	2043123
	BEARING, RADIAL BALL, 16003	3	---	---	---	A	---	---	1	91008-362-000	0334854
		---	4	5	6				1	91008-362-000	0334854

24 © AMERICAN HONDA MOTOR CO. INC. 1994

1-B12

3 = VF1100C'83  
4 = VF1100C'84  
5 = VF1100C'85  
6 = VF1100C'86

Ref. No.	BLOCK NO. DESCRIPTION	VF1100C				AREA CODE	ENGINE SERIAL NUMBER		QTY REQ	PART NUMBER	HONDA CODE
		1	1	1	1		FROM	TO			
		3	4	5	6	A					
24	BEARING, RADIAL BALL, 16003	3	---	---	---	A	---	---	1	91010-HC0-003	2519544
		---	4	5	6				1	91010-HC0-003	2519544
25	BEARING, NEEDLE, 40X47X31	3	---	---	---	A	---	---	1	91024-MB4-000	1388909
		---	4	5	6				1	91024-MB4-000	1388909
26	CLIP, PISTON PIN, 15MM	3	---	---	---	A	---	---	1	94601-15000	0156018
		---	4	5	6				1	94601-15000	0156018

© AMERICAN HONDA MOTOR CO. INC. 1994

25

# CONTENTS

TITLE	PAGE	GRID
ALTERNATOR	28	1-C2
CAM CHAIN	15	1-B7
CAMSHAFT	12	1-B6
CARBURETOR (ASSY. LINK)	64	1-D8
CARBURETOR (COMP. PARTS)	70	1-D11
CLUTCH	22	1-B11
COVER, RR	30	1-C3
CRANKCASE COVER, R	20	1-B10
CRANKSHAFT	42	1-C9
CROSS SHAFT	60	1-D6
CYLINDER BLOCK	38	1-C7
CYLINDER HEAD COVER	2	1-B1
CYLINDER, FR	3	1-B1
CYLINDER, RR	8	1-B4
GASKET KIT A	74	1-E1
GASKET KIT B	75	1-E1
GEARSHIFT DRUM	52	1-D2
OIL FILTER	34	1-C5
OIL PAN	34	1-C5
OIL PUMP	34	1-C5
PISTON	42	1-C9
PULSE ALTERNATOR	26	1-C1
STARTER CLUTCH	26	1-C1
STARTER MOTOR	32	1-C4
TENSIONER	15	1-B7
THERMOSTAT	56	1-D4
TRANSMISSION	48	1-C12
VALVE	12	1-B6
WATER PIPE	56	1-D4
WATER PUMP	30	1-C3

GRID

1-B12

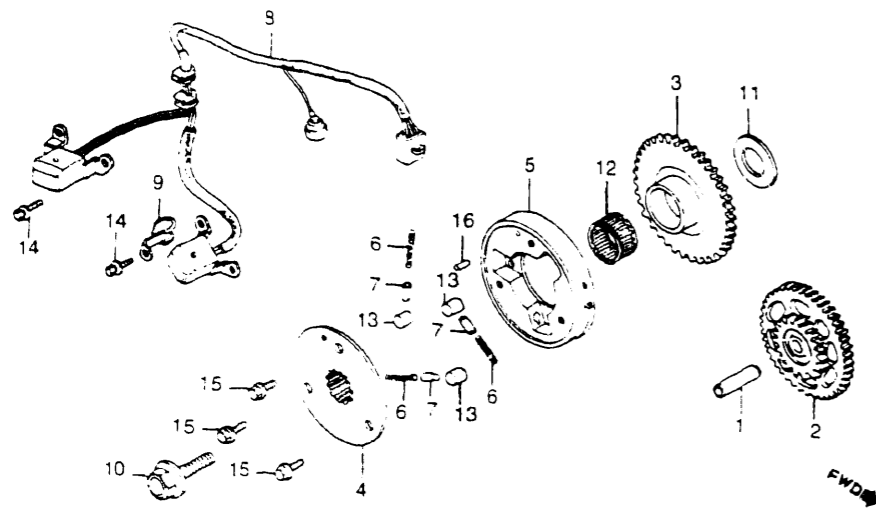
VF1100C'83 ENGINE NO.; SC12E-2000039 TO 2018597  
VF1100C'83 FRAME NO.; SC120-DM000029 TO DM017677  
VF1100C'84 ENGINE NO.; SC12E-2100001 TO 2116075  
VF1100C'84 FRAME NO.; SC120-EA10G001 TO EA117064

VF1100C'84 ENGINE NO.; SC12E-2102298 TO 2114635  
VF1100C'84 FRAME NO.; SC121-EA100004 TO EA117067  
VF1100C'85 ENGINE NO.; SC12E-2200001 TO 2208055  
VF1100C'85 FRAME NO.; SC120-FA200006 TO FA208465

VF1100C'85 ENGINE NO.; SC12E-2200001 TO 2206580  
VF1100C'85 FRAME NO.; SC121-FA200001 TO FA206845  
VF1100C'86 ENGINE NO.; SC12E-2300020 TO 2304336  
VF1100C'86 FRAME NO.; SC120-GM300101 TO GM304425

VF1100C'86 ENGINE NO.; SC12E-2300001 TO 2302532  
VF1100C'86 FRAME NO.; SC121-GM301306 TO GM302625

# PULSE ALTERNATOR • STARTER CLUTCH



E14MB4D07

Ref No	BLOCK NO. DESCRIPTION	E-7	VF1100C				AREA CODE	ENGINE SERIAL NUMBER		QTY REQ	PART NUMBER	HONDA CODE
			1	2	3	4		FROM	TO			
	3 = VF1100C'83 4 = VF1100C'84 5 = VF1100C'85 6 = VF1100C'86		1	2	3	4						
1	PIN, PISTON, 10X33		3	4	5	6	A		1	13111-GK8-000	1709104	
	PIN, PISTON		3	4	5	6	A		1	13111-GK8-000	1709104	
	PIN, PISTON, 10X33		3	4	5	6	A		1	13111-GS7-000	2754323	
	PIN, PISTON, 10X33		3	4	5	6	A		1	13111-GS7-000	2754323	
2	GEAR, STARTER REDUCTION (88/21T)		3	4	5	6	A		1	28101-MB4-000	1385533	
	GEAR, STARTER REDUCTION (88/21T)		3	4	5	6	A		1	28101-MB4-000	1385533	
3	GEAR COMP., STARTER CLUTCH		3	4	5	6	A		1	28110-MB4-000	1387307	
	GEAR COMP., STARTER CLUTCH		3	4	5	6	A		1	28110-MB4-000	1387307	
4	FLANGE, STARTER CLUTCH		3	4	5	6	A		1	28110-MB4-830	2250348	
	FLANGE, STARTER CLUTCH		3	4	5	6	A		1	28110-MB4-830	2250348	
5	OUTER COMP., STARTER CLUTCH		3	4	5	6	A		1	28115-MB4-000	1387315	
	OUTER COMP., STARTER CLUTCH		3	4	5	6	A		1	28115-MB4-000	1387315	
6	SPRING, STARTING CLUTCH ROLLER		3	4	5	6	A		3	28120-MB4-000	1387323	
	SPRING, STARTING CLUTCH ROLLER		3	4	5	6	A		3	28120-MB4-000	1387323	
	SPRING, STARTING CLUTCH ROLLER		3	4	5	6	A		3	28125-516-030	0192708	
	SPRING, STARTING CLUTCH ROLLER		3	4	5	6	A		3	28125-516-030	0192708	

Ref No	BLOCK NO. DESCRIPTION	E-7	VF1100C				AREA CODE	ENGINE SERIAL NUMBER		QTY REQ	PART NUMBER	HONDA CODE
			1	2	3	4		FROM	TO			
	3 = VF1100C'83 4 = VF1100C'84 5 = VF1100C'85 6 = VF1100C'86		1	2	3	4						
7	CAP, STARTING CLUTCH ROLLER SPRING		3	4	5	6	A		3	28126-415-000	1243054	
	CAP, STARTING CLUTCH ROLLER SPRING		3	4	5	6	A		3	28126-415-000	1243054	
8	ALTERNATOR ASSY., PULSE		3	4	5	6	A		1	30300-MB4-154	1387331	
	ALTERNATOR ASSY., PULSE		3	4	5	6	A		1	30300-MB4-154	1387331	
	ALTERNATOR ASSY., PULSE		3	4	5	6	A		1	30300-MB4-164	1832104	
	ALTERNATOR ASSY., PULSE		3	4	5	6	A		1	30300-MB4-164	1832104	
	ALTERNATOR ASSY., PULSE		3	4	5	6	A	2203945	1	30300-MB4-164	1832104	
	ALTERNATOR ASSY., PULSE		3	4	5	6	A	2203945	1	30300-MB4-174	1959956	
	ALTERNATOR ASSY., PULSE		3	4	5	6	A	2203945	1	30300-MB4-174	1959956	
	ALTERNATOR ASSY., PULSE		3	4	5	6	A	2203945	1	30300-MB4-174	1959956	
9	CLIP, PULSER WIRE		3	4	5	6	A	2019447	1	30301-MB4-000	1413442	
	CLIP, PULSER WIRE		3	4	5	6	A	2019448	1	30301-MB4-010	1708312	
	CLIP, PULSER WIRE		3	4	5	6	A		1	30301-MB4-010	1708312	
10	BOLT, FLANGE, 12X40		3	4	5	6	A		1	90017-MB4-000	1388719	
	BOLT, FLANGE, 12X40		3	4	5	6	A		1	90017-MB4-000	1388719	
11	WASHER, THRUST, 25MM		3	4	5	6	A		1	90461-723-911	1390194	
	WASHER, THRUST, 25MM		3	4	5	6	A		1	90461-723-911	1390194	
12	BEARING, NEEDLE, 32X38X20 (NTN)		3	4	5	6	A		1	91011-PG4-003	2373157	
	BEARING, NEEDLE, 32X38X20		3	4	5	6	A		1	91011-PG4-003	2373157	
	BEARING, NEEDLE, 32X38X20		3	4	5	6	A		1	91022-MB4-000	1388891	
	BEARING, NEEDLE, 32X38X20		3	4	5	6	A		1	91022-MB4-000	1388891	
13	ROLLER, 15X13		3	4	5	6	A		3	91101-516-000	0192732	
	ROLLER, 15X13		3	4	5	6	A		3	91101-516-000	0192732	
14	BOLT-WASHER, 6X16		3	4	5	6	A		4	93491-06016-00	0709063	
	BOLT-WASHER, 6X16		3	4	5	6	A		4	93491-06016-00	0709063	
15	BOLT, FLANGE, 8X14		3	4	5	6	A		3	95700-08014-08	0417949	
	BOLT, FLANGE, 8X14		3	4	5	6	A		3	95700-08014-08	0417949	
	BOLT, FLANGE, 8X14		3	4	5	6	A		3	95701-08014-08	2411015	
	BOLT, FLANGE, 8X14		3	4	5	6	A		3	95701-08014-08	2411015	
16	ROLLER, 6X15		3	4	5	6	A		1	96220-60150	1244011	
	ROLLER, 6X15		3	4	5	6	A		1	96220-60150	1244011	

CONTENTS		
TITLE	PAGE	GRID
ALTERNATOR	28	1-C2
CAM CHAIN	15	1-B7
CAMSHAFT	12	1-B6
CARBURETOR (ASSY. LINK)	64	1-D8
CARBURETOR (COMP. PARTS)	70	1-D11
CLUTCH	22	1-B11
COVER, RR.	30	1-C3
CRANKCASE COVER, R.	20	1-B10
CRANKSHAFT	42	1-C9
CROSS SHAFT	60	1-D6
CYLINDER BLOCK	38	1-C7
CYLINDER HEAD COVER	2	1-B1
CYLINDER, FR.	3	1-B1
CYLINDER, RR.	8	1-B4
GASKET KIT A	74	1-E1
GASKET KIT B	75	1-E1
GEARSHIFT DRUM	52	1-D2
OIL FILTER	34	1-C5
OIL PAN	34	1-C5
OIL PUMP	34	1-C5
PISTON	42	1-C9
PULSE ALTERNATOR	26	1-C1
STARTER CLUTCH	26	1-C1
STARTER MOTOR	32	1-C4
TENSIONER	15	1-B7
THERMOSTAT	56	1-D4
TRANSMISSION	48	1-C12
VALVE	12	1-B6
WATER PIPE	56	1-D4
WATER PUMP	30	1-C3

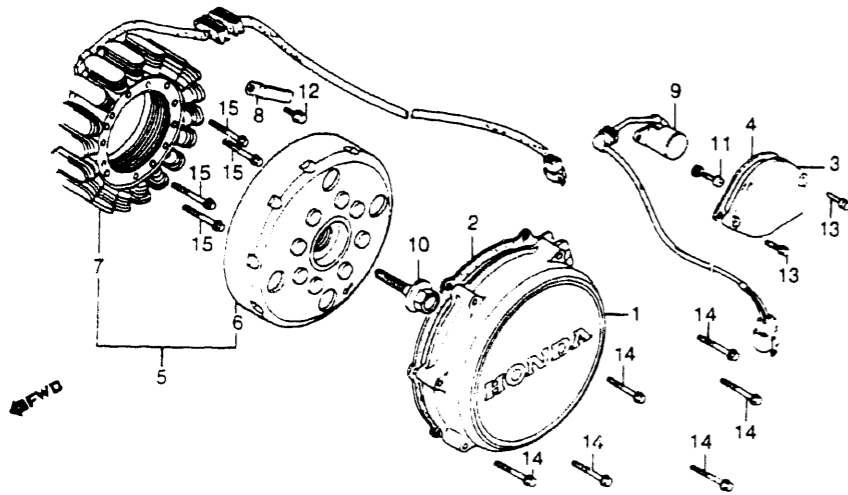
VF1100C'83 ENGINE NO.; SC12E-2000039 TO 2018597  
 VF1100C'83 FRAME NO.; SC120-DM000029 TO DM017677  
 VF1100C'84 ENGINE NO.; SC12E-2100001 TO 2116075  
 VF1100C'84 FRAME NO.; SC120-EA100001 TO EA117067

VF1100C'84 ENGINE NO.; SC12E-2102298 TO 2114635  
 VF1100C'84 FRAME NO.; SC121-EA100004 TO EA117067  
 VF1100C'85 ENGINE NO.; SC12E-2200001 TO 2208055  
 VF1100C'85 FRAME NO.; SC120-FA200006 TO FA208465

VF1100C'85 ENGINE NO.; SC12E-2200001 TO 2206580  
 VF1100C'85 FRAME NO.; SC121-FA200001 TO FA206845  
 VF1100C'86 ENGINE NO.; SC12E-2300020 TO 2304336  
 VF1100C'86 FRAME NO.; SC120-GM300101 TO GM304425

VF1100C'86 ENGINE NO.; SC12E-2300001 TO 2302532  
 VF1100C'86 FRAME NO.; SC121-GM301306 TO GM302625

# ALTERNATOR



E14MB4D08

Ref. No.	BLOCK NO. DESCRIPTION	VF1100C				A R E A C O D E	ENGINE SERIAL NUMBER		QTY REQ	PART NUMBER	HONDA CODE
		1	1	1	1		FROM	TO			
		9	9	9	9						
		8	8	8	8						
		3	4	5	6						
1	COVER, ALTERNATOR	3	--	--	--	A	--	--	1	11631-MB4-000	1386077
		--	4	5	6		--	--	1	11631-MB4-000	1386077
2	GASKET, ALTERNATOR COVER	3	--	--	--	A	--	--	1	11636-MB4-000	1386085
		--	4	5	6		--	--	1	11636-MB4-000	1386085
3	COVER, INDICATOR SWITCH	3	--	--	--	A	--	--	1	11641-MB0-000	1240894
		--	4	5	6		--	--	1	11641-MB0-000	1240894
4	GASKET, INDICATOR SWITCH COVER	3	--	--	--	A	--	--	1	11642-MB0-000	1240902
		--	4	5	6		--	--	1	11642-MB0-000	1240902
5	ALTERNATOR ASSY.	3	--	--	--	A	--	--	1	31100-MB4-015	1832138
		--	4	5	6		--	--	1	31100-MB4-015	1832138
6	ROTOR COMP.	3	--	--	--	A	--	--	1	31110-MB4-005	1387356
		--	4	5	6		--	--	1	31110-MB4-005	1387356
7	STATOR COMP.	3	--	--	--	A	--	--	1	31120-MB0-405	4059465
		--	4	5	6		--	--	1	31120-MB0-405	4059465
	STATOR COMP.	3	--	--	--	A	--	--	1	31120-MB0-415	4186912
		--	4	5	6		--	--	1	31120-MB0-415	4186912
	STATOR COMP.	3	--	--	--	A	--	--	1	31120-MB4-015	1832161
		--	4	5	6		--	--	1	31120-MB4-015	1832161

Ref. No.	BLOCK NO. DESCRIPTION	VF1100C				A R E A C O D E	ENGINE SERIAL NUMBER		QTY REQ	PART NUMBER	HONDA CODE
		1	1	1	1		FROM	TO			
		9	9	9	9						
		8	8	8	8						
		3	4	5	6						
8	CLAMP, ALTERNATOR WIRE	3	--	--	--	A	--	--	1	31130-MB4-000	1434752
		--	4	5	6		--	--	1	31130-MB4-000	1434752
9	SWITCH ASSY., CHANGE	3	--	--	--	A	--	--	1	35759-MB4-003	1811272
		--	4	5	6		--	--	1	35759-MB4-003	1811272
10	BOLT, FLANGE, 12X40	3	--	--	--	A	--	--	1	90017-MB4-000	1388719
		--	4	5	6		--	--	1	90017-MB4-000	1388719
11	SCREW, PAN, 6X12	3	--	--	--	A	--	--	2	93500-06012-0A	0182360
		--	4	5	6		--	--	2	93500-06012-0A	0182360
12	BOLT, FLANGE, 6X12	3	--	--	--	A	--	--	1	96000-06012-00	0823666
		--	4	5	6		--	--	1	96000-06012-00	0823666
	BOLT, FLANGE, 6X12	3	--	--	--	A	--	--	1	96001-06012-00	2105930
		--	4	5	6		--	--	1	96001-06012-00	2105930
13	BOLT, FLANGE, 6X20	3	--	--	--	A	--	--	2	96000-06020-07	1292226
		--	4	5	6		--	--	2	96000-06020-07	1292226
	BOLT, FLANGE, 6X20	3	--	--	--	A	--	--	2	96001-06020-07	2479624
		--	4	5	6		--	--	2	96001-06020-07	2479624
14	BOLT, FLANGE, 6X35	3	--	--	--	A	--	--	6	96000-06035-00	0799080
		--	4	5	6		--	--	6	96000-06035-00	0799080
	BOLT, FLANGE, 6X35	3	--	--	--	A	--	--	6	96001-06035-00	2112209
		--	4	5	6		--	--	6	96001-06035-00	2112209
15	BOLT, FLANGE, 6X45	3	--	--	--	A	--	--	4	96000-06045-00	0807370
		--	4	5	6		--	--	4	96000-06045-00	0807370
	BOLT, FLANGE, 6X45	3	--	--	--	A	--	--	4	96001-06045-00	2106045
		--	4	5	6		--	--	4	96001-06045-00	2106045

# CONTENTS

TITLE	PAGE	GRID
ALTERNATOR	28	1-C2
CAM CHAIN	15	1-B7
CAMSHAFT	12	1-B6
CARBURETOR (ASSY. LINK)	64	1-D8
CARBURETOR (COMP. PARTS)	70	1-D11
CLUTCH	22	1-B11
COVER, RR	30	1-C3
CRANKCASE COVER R	20	1-B10
CRANKSHAFT	42	1-C9
CROSS SHAFT	60	1-D6
CYLINDER BLOCK	38	1-C7
CYLINDER HEAD COVER	2	1-B1
CYLINDER, FR	3	1-B1
CYLINDER, RR	8	1-B4
GASKET KIT A	74	1-E1
GASKET KIT B	75	1-E1
GEARSHIFT DRUM	52	1-D2
OIL FILTER	34	1-C5
OIL PAN	34	1-C5
OIL PUMP	34	1-C5
PISTON	42	1-C9
PULSE ALTERNATOR	26	1-C1
STARTER CLUTCH	26	1-C1
STARTER MOTOR	32	1-C4
TENSIONER	15	1-B7
THERMOSTAT	56	1-D4
TRANSMISSION	48	1-C12
VALVE	12	1-B6
WATER PIPE	56	1-D4
WATER PUMP	30	1-C3

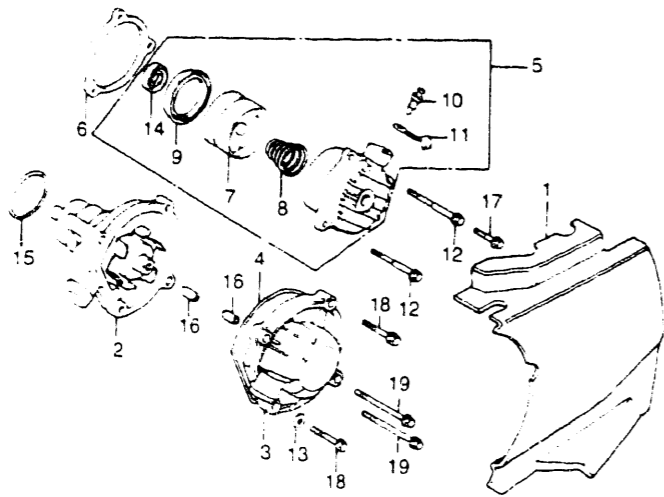
VF1100C'83 ENGINE NO.; SC12E-2000039 TO 2018597  
 VF1100C'83 FRAME NO.; SC120-DM000029 TO DM017677  
 VF1100C'84 ENGINE NO.; SC12E-2100001 TO 2116075  
 VF1100C'84 FRAME NO.; SC120-EA100001 TO EA117064

VF1100C'84 ENGINE NO.; SC12E-2102298 TO 2114635  
 VF1100C'84 FRAME NO.; SC121-EA100004 TO EA117067  
 VF1100C'85 ENGINE NO.; SC12E-2200001 TO 2208055  
 VF1100C'85 FRAME NO.; SC120-FA200006 TO FA208465

VF1100C'85 ENGINE NO.; SC12E-2200001 TO 2206580  
 VF1100C'85 FRAME NO.; SC121-FA200001 TO FA206845  
 VF1100C'86 ENGINE NO.; SC12E-2300020 TO 2304336  
 VF1100C'86 FRAME NO.; SC120-GM300101 TO GM304425

VF1100C'86 ENGINE NO.; SC12E-2300001 TO 2302532  
 VF1100C'86 FRAME NO.; SC121-GM301306 TO GM302625

# REAR COVER • WATER PUMP



E14MB4D09

Ref No.	BLOCK NO. DESCRIPTION	VF1100C				AREA CODE	ENGINE SERIAL NUMBER FROM TO	QTY REQ	PART NUMBER	HONDA CODE
		1	2	3	4					
	3 = VF1100C'83 4 = VF1100C'84 5 = VF1100C'85 6 = VF1100C'86	1	1	1	1					
		9	9	9	9					
		8	8	8	8					
		3	4	5	6					
1	COVER, RR.	3	---	---	---	A	---	---	1	11341-MB4-000 1386036
		---	4	5	6				1	11341-MB4-000 1386036
2	PUMP COMP., WATER	3	---	---	---	A	---	---	1	19200-MB4-000 1386853
		---	4	---	---				1	19200-MB4-000 1386853
		---	---	5	---		2207083		1	19200-MB4-000 1386853
	PUMP COMP., WATER	3	---	---	---	A	---	---	1	19200-MB4-010 2018950
		---	4	5	6				1	19200-MB4-010 2018950
		---	---	5	---		2207083		1	19200-MB4-010 2018950
3	COVER COMP., WATER PUMP	3	---	---	---	A	---	---	1	19220-MB4-000 1386861
		---	4	5	6				1	19220-MB4-000 1386861
4	GASKET, WATER PUMP COVER	3	---	---	---	A	---	---	1	19226-MB0-000 1242148
		---	4	5	6				1	19226-MB0-000 1242148
5	CYLINDER ASSY., CLUTCH SLAVE	3	---	---	---	A	---	---	1	22860-MB0-770 1291160
		---	4	5	6				1	22860-MB0-770 1291160
6	INSULATOR, CLUTCH SLAVE	3	---	---	---	A	---	---	1	22862-MB0-307 4416970
		---	4	5	6				1	22862-MB0-307 4416970
	INSULATOR, CLUTCH SLAVE CYLINDER	3	---	---	---	A	---	---	1	22862-MB0-770 1291202
		---	4	5	6				1	22862-MB0-770 1291202

30 AMERICAN HONDA MOTOR CO. INC. 1994

1-C3

VF1100C'83 ENGINE NO.; SC12E-2000039 TO 2018597  
 VF1100C'83 FRAME NO.; SC120-DM000029 TO DM017677  
 VF1100C'84 ENGINE NO.; SC12E-2100001 TO 2116075  
 VF1100C'84 FRAME NO.; SC120-EA100001 TO EA117064

VF1100C'84 ENGINE NO.; SC12E-2102298 TO 2114635  
 VF1100C'84 FRAME NO.; SC121-EA100004 TO EA117067  
 VF1100C'85 ENGINE NO.; SC12E-2200001 TO 2208055  
 VF1100C'85 FRAME NO.; SC120-FA200006 TO FA208465

Ref No.	BLOCK NO. DESCRIPTION	VF1100C				AREA CODE	ENGINE SERIAL NUMBER FROM TO	QTY REQ	PART NUMBER	HONDA CODE
		1	2	3	4					
	3 = VF1100C'83 4 = VF1100C'84 5 = VF1100C'85 6 = VF1100C'86	1	1	1	1					
		9	9	9	9					
		8	8	8	8					
		3	4	5	6					
7	PISTON, SLAVE CYLINDER	3	---	---	---	A	---	---	1	22863-MB0-003 1242627
		---	4	5	6				1	22863-MB0-003 1242627
8	SPRING, SLAVE CYLINDER	3	---	---	---	A	---	---	1	22864-MB0-003 1242635
		---	4	5	6				1	22864-MB0-003 1242635
9	CUP, PISTON	3	---	---	---	A	---	---	1	22865-MB0-003 1242643
		---	4	5	6				1	22865-MB0-003 1242643
10	SCREW, BLEEDER	3	---	---	---	A	---	---	1	43352-568-003 0505735
		---	4	5	---				1	43352-568-003 0505735
		---	---	6	---		2302902		1	43352-568-003 0505735
	SCREW, BLEEDER	---	---	6	---		2302903		1	22866-MF2-711 2247666
11	CAP, BLEEDER SCREW	3	---	---	---	A	---	---	1	43353-461-771 0954230
		---	4	5	6				1	43353-461-771 0954230
12	BOLT, FLANGE, 6X55	3	---	---	---	A	---	---	2	90051-MB0-000 1243492
		---	4	5	6				2	90051-MB0-000 1243492
13	WASHER, 11MM	3	---	---	---	A	---	---	1	90425-300-000 0189795
		---	4	5	6				1	90425-300-000 0189795
14	OIL SEAL, 8X18X5 (NISSIN)	3	---	---	---	A	---	---	1	91209-MB0-003 1243872
		---	4	5	6				1	91209-MB0-003 1243872
15	O-RING, 32.95X2.62 (ARAI)	3	---	---	---	A	---	---	1	91302-MB0-013 1435114
		---	4	5	6				1	91302-MB0-013 1435114
16	PIN A, DOWEL, 8X14	3	---	---	---	A	---	---	2	94301-08140 0069310
		---	4	5	6				2	94301-08140 0069310
17	BOLT, FLANGE, 6X22	3	---	---	---	A	---	---	1	96000-06022-00 0811034
		---	4	5	6				1	96000-06022-00 0811034
	BOLT, FLANGE, 6X22	3	---	---	---	A	---	---	1	96001-06022-00 2112191
		---	4	5	6				1	96001-06022-00 2112191
18	BOLT, FLANGE, 6X28	3	---	---	---	A	---	---	2	96000-06028-00 0799072
		---	4	5	6				2	96000-06028-00 0799072
	BOLT, FLANGE, 6X28	3	---	---	---	A	---	---	2	96001-06028-00 2106003
		---	4	5	6				2	96001-06028-00 2106003
19	BOLT, FLANGE, 6X70	3	---	---	---	A	---	---	2	96000-06070-00 0807438
		---	4	5	6				2	96000-06070-00 0807438
	BOLT, FLANGE, 6X70	3	---	---	---	A	---	---	2	96001-06070-00 2112233
		---	4	5	6				2	96001-06070-00 2112233

AMERICAN HONDA MOTOR CO. INC. 1994 31

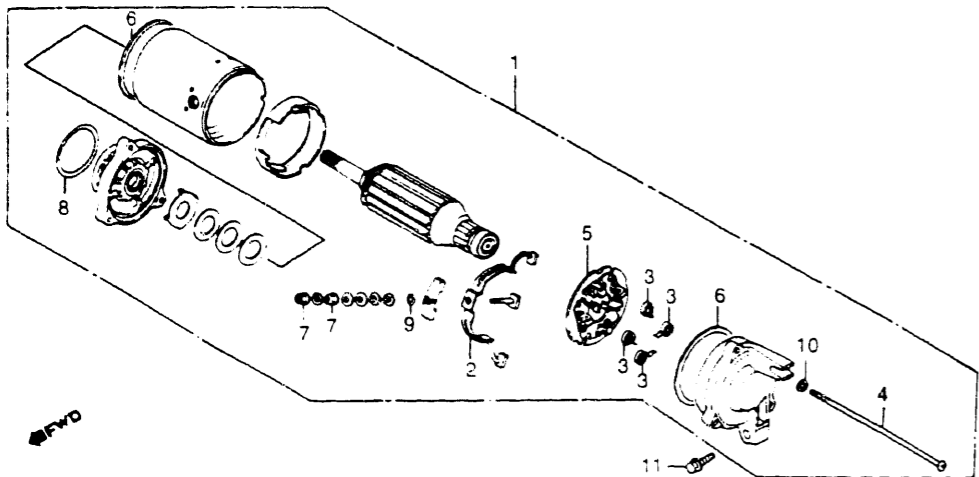
VF1100C'85 ENGINE NO.; SC12E-2200001 TO 2206580  
 VF1100C'85 FRAME NO.; SC121-FA200001 TO FA206845  
 VF1100C'86 ENGINE NO.; SC12E-2300020 TO 2304336  
 VF1100C'86 FRAME NO.; SC120-GM300101 TO GM304425

VF1100C'86 ENGINE NO.; SC12E-2300001 TO 2302532  
 VF1100C'86 FRAME NO.; SC121-GM301306 TO GM302625

# CONTENTS

TITLE	PAGE	GRID
ALTERNATOR	28	1-C2
CAM CHAIN	15	1-B7
CAMSHAFT	12	1-B6
CARBURETOR (ASSY. LINK)	64	1-D8
CARBURETOR (COMP. PARTS)	70	1-D11
CLUTCH	22	1-B11
COVER, RR.	30	1-C3
CRANKCASE COVER, R.	20	1-B10
CRANKSHAFT	42	1-C9
CROSS SHAFT	60	1-D6
CYLINDER BLOCK	38	1-C7
CYLINDER HEAD COVER	2	1-B1
CYLINDER, FR.	3	1-B1
CYLINDER, RR.	8	1-B4
GASKET KIT A	74	1-E1
GASKET KIT B	75	1-E1
GEARSHIFT DRUM	52	1-D2
OIL FILTER	34	1-C5
OIL PAN	34	1-C5
OIL PUMP	34	1-C5
PISTON	42	1-C9
PULSE ALTERNATOR	26	1-C1
STARTER CLUTCH	26	1-C1
STARTER MOTOR	32	1-C4
TENSIONER	15	1-B7
THERMOSTAT	56	1-D4
TRANSMISSION	48	1-C12
VALVE	12	1-B6
WATER PIPE	56	1-D4
WATER PUMP	30	1-C3

# STARTER MOTOR



E14MB4D10

Ref No	BLOCK NO DESCRIPTION	VF1100C				AREA CODE	ENGINE SERIAL NUMBER		QTY REQ	PART NUMBER	HONDA CODE
		1	1	1	1		FROM	TO			
		3	4	5	6	A			1	31200-MB4-008	1387372
									1	31200-MB4-008	1387372
		3	4	5	6	A			1	31200-MB4-405	4286332
									1	31200-MB4-405	4286332
		3	4	5	6	A			1	31201-KM3-000	2101186
									1	31201-KM3-000	2101186
		3	4	5	6	A			1	31201-ME9-000	1373497
									1	31201-ME9-000	1373497
		3	4	5	6	A			4	31204-MA6-000	1243161
									4	31204-MA6-000	1243161
		3	4	5	6	A			3	31205-MB4-000	1716075
									3	31205-MB4-000	1716075
		3	4	5	6	A			1	31206-MC8-008	1234681
									1	31206-MC8-008	1234681
		3	4	5	6	A			1	31206-MM5-008	2549400
									1	31206-MM5-008	2549400
		3	4	5	6	A			2	31207-179-711	1063858
									2	31207-179-711	1063858

VF1100C'83 ENGINE NO.; SC12E-2000039 TO 2018597  
 VF1100C'83 FRAME NO.; SC120-DM000029 TO DM017677  
 VF1100C'84 ENGINE NO.; SC12E-2100001 TO 2116075  
 VF1100C'84 FRAME NO.; SC120-EA100001 TO EA117064

VF1100C'84 ENGINE NO.; SC12E-2102298 TO 2114635  
 VF1100C'84 FRAME NO.; SC121-EA100004 TO EA117067  
 VF1100C'85 ENGINE NO.; SC12E-2200001 TO 2208055  
 VF1100C'85 FRAME NO.; SC120-FA200006 TO FA208465

Ref No	BLOCK NO DESCRIPTION	VF1100C				AREA CODE	ENGINE SERIAL NUMBER		QTY REQ	PART NUMBER	HONDA CODE
		1	1	1	1		FROM	TO			
		3	4	5	6	A			2	90071-MB0-000	1243534
									2	90071-MB0-000	1243534
		3	4	5	6	A			1	91309-MA6-000	1243922
									1	91309-MA6-000	1243922
		3	4	5	6	A			1	91320-MB0-000	1292184
									1	91320-MB0-000	1292184
		3	4	5	6	A			3	94111-05000	0058966
									3	94111-05000	0058966
		3	4	5	6	A			2	96000-06025-07	1251941
									2	96000-06025-07	1251941
		3	4	5	6	A			2	96001-06025-07	2105997
									2	96001-06025-07	2105997

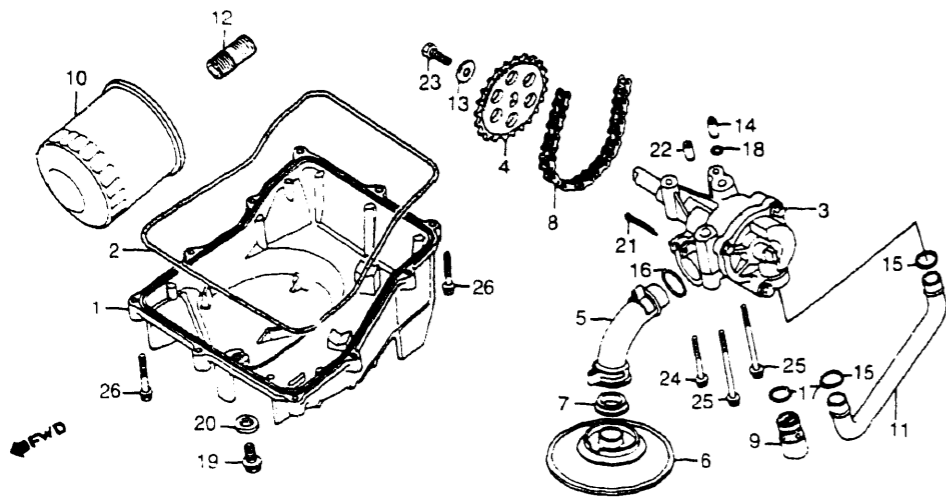
VF1100C'85 ENGINE NO.; SC12E-2200001 TO 2206580  
 VF1100C'85 FRAME NO.; SC121-FA200001 TO FA206845  
 VF1100C'86 ENGINE NO.; SC12E-2300020 TO 2304336  
 VF1100C'86 FRAME NO.; SC120-GM300101 TO GM304425

VF1100C'86 ENGINE NO.; SC12E-2300001 TO 2302532  
 VF1100C'85 FRAME NO.; SC121-GM301306 TO GM302625

# CONTENTS

TITLE	PAGE	GRID
ALTERNATOR	28	1-C2
CAM CHAIN	15	1-B7
CAMSHAFT	12	1-B6
CARBURETOR (ASSY. LINK)	64	1-D8
CARBURETOR (COMP. PARTS)	70	1-D11
CLUTCH	22	1-B11
COVER, RR	30	1-C3
CRANKCASE COVER, R	20	1-B10
CRANKSHAFT	42	1-C9
CROSS SHAFT	60	1-D6
CYLINDER BLOCK	38	1-C7
CYLINDER HEAD COVER	2	1-B1
CYLINDER, FR	3	1-B1
CYLINDER, RR	8	1-B4
GASKET KIT A	74	1-E1
GASKET KIT B	75	1-E1
GEARSHIFT DRUM	52	1-D2
OIL FILTER	34	1-C5
OIL PAN	34	1-C5
OIL PUMP	34	1-C5
PISTON	42	1-C9
PULSE ALTERNATOR	26	1-C1
STARTER CLUTCH	26	1-C1
STARTER MOTOR	32	1-C4
TENSIONER	15	1-B7
THERMOSTAT	56	1-D4
TRANSMISSION	48	1-C12
VALVE	12	1-B6
WATER PIPE	56	1-D4
WATER PUMP	30	1-C3

# OIL FILTER • OIL PAN • OIL PUMP



E14MB4D11

Ref. No.	BLOCK NO. DESCRIPTION	E-11	VF1100C				AREA CODE	ENGINE SERIAL NUMBER	QTY REQ	PART NUMBER	HONDA CODE
			1	9	8	3					
	3 = VF1100C'83		1	1	1	1					
	4 = VF1100C'84		9	9	9	9					
	5 = VF1100C'85		8	8	8	8					
	6 = VF1100C'86		3	4	5	6					
1	PAN, OIL		3	---	---	---	A	---	1	11210-MB4-000 1386002	
2	GASKET, OIL PAN		3	---	---	---	A	---	1	11210-MB4-000 1386002	
3	PUMP ASSY., OIL		3	---	---	---	A	---	1	15100-MB4-000 1386382	
	PUMP ASSY., OIL		3	---	---	---	A	---	1	15100-MB4-010 2110187	
4	SPROCKET, OIL PUMP DRIVEN		3	---	---	---	A	---	1	15134-MB4-000 1386408	
	SPROCKET, OIL PUMP DRIVEN		3	---	---	---	A	---	1	15134-MB4-010 1809680	
	SPROCKET, OIL PUMP DRIVEN		3	---	---	---	A	---	1	15134-MB6-000 1752468	
5	PIPE, OIL STRAINER		3	---	---	---	A	---	1	15151-MB4-000 1386416	
6	STRAINER, OIL		3	---	---	---	A	---	1	15153-MB4-000 1385673	
	STRAINER, OIL		3	---	---	---	A	---	1	15153-MB4-000 1385673	
	STRAINER, OIL		---	---	5	6			1	15153-MB3-000 1741362	

Ref. No.	BLOCK NO. DESCRIPTION	E-11	VF1100C				AREA CODE	ENGINE SERIAL NUMBER	QTY REQ	PART NUMBER	HONDA CODE
			1	9	8	3					
	3 = VF1100C'83		1	1	1	1					
	4 = VF1100C'84		9	9	9	9					
	5 = VF1100C'85		8	8	8	8					
	6 = VF1100C'86		3	4	5	6					
7	GASKET, OIL STRAINER		3	---	---	---	A	---	1	15154-425-000 0716191	
8	CHAIN, OIL PUMP		3	---	---	---	A	---	1	15154-425-000 0716191	
9	VALVE ASSY., RELIEF		3	---	---	---	A	---	1	15161-ME5-003 1326651	
10	FILTER, OIL		3	---	---	---	A	---	1	15161-ME5-003 1326651	
	CARTRIDGE, OIL FILTER		3	---	---	---	A	---	1	15220-MB0-010 1416064	
	FILTER, OIL		3	---	---	---	A	---	1	15220-MB0-010 1416064	
	FILTER, OIL		3	---	---	---	A	---	1	15410-MB0-003 1241702	
	FILTER, OIL		3	---	---	---	A	---	1	15410-MB0-003 1241702	
11	PIPE, OIL		3	---	---	---	A	---	1	15410-MB3-003 1811058	
12	BOSS, OIL FILTER		3	---	---	---	A	---	1	15410-MB3-003 1811058	
13	WASHER, SHIFT DRUM STOPPER		3	---	---	---	A	---	1	15410-MJ0-003 1689611	
	WASHER, 6X2.3		3	---	---	---	A	---	1	15410-MJ0-003 1689611	
14	PIN, KNOCK, 8X14		3	---	---	---	A	---	1	15410-MJ0-004 3481355	
15	O-RING, 14.6X3.7 (ARAI)		3	---	---	---	A	---	1	15410-MJ0-004 3481355	
16	O-RING, 18.5X2.4 (ARAI)		3	---	---	---	A	---	1	15511-MB0-000 1241710	
17	O-RING, 14.7X2.2 (ARAI)		3	---	---	---	A	---	1	15511-MB0-000 1241710	
18	O-RING, 7.7X2.3 (ARAI)		3	---	---	---	A	---	1	90019-MB0-000 1243435	
19	BOLT, DRAIN PLUG, 12MM		3	---	---	---	A	---	1	90019-MB0-000 1243435	
	WASHER, 6X2.3		---	---	4	5			1	90487-MB0-000 1243666	
	WASHER, 6X2.3		---	---	4	5			1	90487-MB0-000 1243666	
	WASHER, 6X2.3		---	---	4	5			1	90488-MB0-000 1243674	
	WASHER, 6X2.3		---	---	4	5			1	90488-MB0-000 1243674	
	WASHER, 6X2.3		---	---	4	5			1	90701-MB4-000 1385509	
	WASHER, 6X2.3		---	---	4	5			1	90701-MB4-000 1385509	
	WASHER, 6X2.3		---	---	4	5			2	91309-MB0-003 1260843	
	WASHER, 6X2.3		---	---	4	5			2	91309-MB0-003 1260843	
	WASHER, 6X2.3		---	---	4	5			1	91311-MB0-003 1260850	
	WASHER, 6X2.3		---	---	4	5			1	91311-MB0-003 1260850	
	WASHER, 6X2.3		---	---	4	5			1	91313-MB0-003 1260868	
	WASHER, 6X2.3		---	---	4	5			1	91313-MB0-003 1260868	
	WASHER, 6X2.3		---	---	4	5			1	91313-MG7-004 3353620	
	WASHER, 6X2.3		---	---	4	5			1	91313-MG7-004 3353620	
	WASHER, 6X2.3		---	---	4	5			1	91301-PC9-003 1352400	
	WASHER, 6X2.3		---	---	4	5			1	91301-PC9-003 1352400	
	WASHER, 6X2.3		---	---	4	5			1	91308-283-000 0076497	
	WASHER, 6X2.3		---	---	4	5			1	91308-283-000 0076497	
	WASHER, 6X2.3		---	---	4	5			1	91313-393-003 0446922	
	WASHER, 6X2.3		---	---	4	5			1	91313-393-003 0446922	
	WASHER, 6X2.3		---	---	4	5			1	92800-12000 0053975	
	WASHER, 6X2.3		---	---	4	5			1	92800-12000 0053975	

# CONTENTS

TITLE	PAGE	GRID
ALTERNATOR	28	1-C2
CAM CHAIN	15	1-B7
CAMSHAFT	12	1-B6
CARBURETOR (ASSY. LINK)	64	1-DB
CARBURETOR (COMP. PARTS)	70	1-D11
CLUTCH	22	1-B11
COVER, RR	30	1-C3
CRANKCASE COVER, R	20	1-B10
CRANKSHAFT	42	1-C9
CROSS SHAFT	60	1-D6
CYLINDER BLOCK	38	1-C7
CYLINDER HEAD COVER	2	1-B1
CYLINDER, FR.	3	1-B1
CYLINDER, RR	8	1-B4
GASKET KIT A	74	1-E1
GASKET KIT B	75	1-E1
GEARSHIFT DRUM	52	1-D2
OIL FILTER	34	1-C5
OIL PAN	34	1-C5
OIL PUMP	34	1-C5
PISTON	42	1-C9
PULSE ALTERNATOR	26	1-C1
STARTER CLUTCH	26	1-C1
STARTER MOTOR	32	1-C4
TENSIONER	15	1-B7
THERMOSTAT	58	1-D4
TRANSMISSION	48	1-C12
VALVE	12	1-B6
WATER PIPE	56	1-D4
WATER PUMP	30	1-C3

VF1100C'83 ENGINE NO.; SC12E-2000039 TO 2018597  
 VF1100C'83 FRAME NO.; SC120-DM00029 TO DM017677  
 VF1100C'84 ENGINE NO.; SC12E-2100001 TO 2116075  
 VF1100C'84 FRAME NO.; SC120-EA100001 TO EA117064

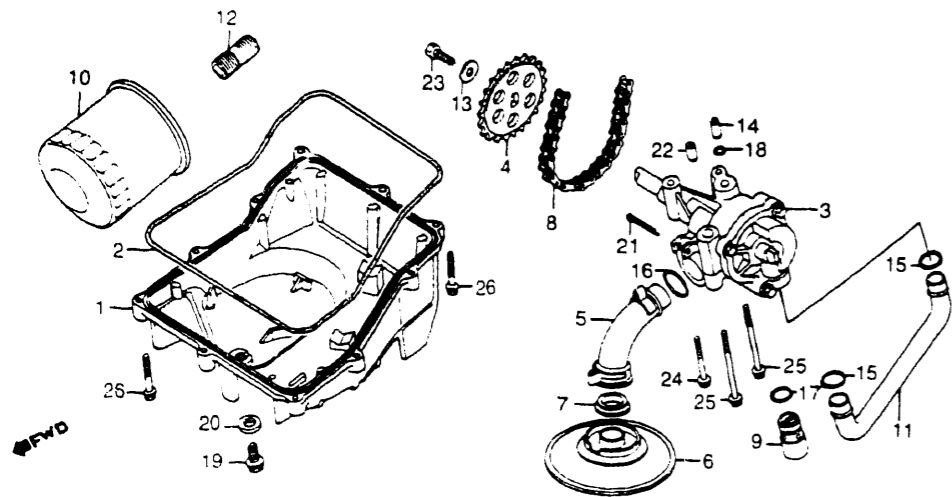
VF1100C'84 ENGINE NO.; SC12E-2102298 TO 2114635  
 VF1100C'84 FRAME NO.; SC121-EA100004 TO EA117067  
 VF1100C'85 ENGINE NO.; SC12E-2200001 TO 2208055  
 VF1100C'85 FRAME NO.; SC120-FA200006 TO FA208465

VF1100C'85 ENGINE NO.; SC12E-2200001 TO 2206580  
 VF1100C'85 FRAME NO.; SC121-FA200001 TO FA206845  
 VF1100C'86 ENGINE NO.; SC12E-2300020 TO 2304336  
 VF1100C'86 FRAME NO.; SC120-GM300101 TO GM304425

VF1100C'86 ENGINE NO.; SC12E-2300001 TO 2302532  
 VF1100C'86 FRAME NO.; SC121-GM301306 TO GM302625



**OIL FILTER • OIL PAN • OIL PUMP**



E14MB4D11

Ref. No.	BLOCK NO. DESCRIPTION	VF1100C				AREA CODE	ENGINE SERIAL NUMBER		QTY REQ	PART NUMBER	HONDA CODE
		1	2	3	4		FROM	TO			
	3 = VF1100C'83	1	1	1	1						
	4 = VF1100C'84	9	9	9	9						
	5 = VF1100C'85	8	8	8	8						
	6 = VF1100C'86	3	4	5	6						
20	WASHER, DRAIN PLUG, 12MM	3	---	---	---	A	---	---	1	94109-12000 0171868	
		---	4	5	6		---	---	1	94109-12000 0171868	
21	PIN, COTTER 2.0X25	3	---	---	---	A	---	---	1	94201-20250 0058370	
		---	4	5	6		---	---	1	94201-20250 0058370	
	PIN, COTTER 2.0X32	3	---	---	---	A	---	---	1	94201-20320 0145607	
		---	4	5	6		---	---	1	94201-20320 0145607	
	PIN, COTTER 2.0X35	3	---	---	---	A	---	---	1	94201-20350 0058388	
		---	4	5	6		---	---	1	94201-20350 0058388	
22	PIN A, DOWEL, 8X14	3	---	---	---	A	---	---	1	94301-08140 0069310	
		---	4	5	6		---	---	1	94301-08140 0069310	
23	BOLT, FLANGE, 6X14	3	---	---	---	A	---	---	1	95700-06014-08 0840587	
		---	4	5	6		---	---	1	95701-06014-08 2374742	
	BOLT, FLANGE, 6X14	3	---	---	---	A	---	---	1	95701-06014-08 2374742	
		---	4	5	6		---	---	1	90021-KE8-000 1768290	
24	BOLT, FLANGE, 6X45	3	---	---	---	A	---	---	1	95700-06045-00 0687830	
		---	4	5	6		---	---	1	95700-06045-00 0687830	
	BOLT, FLANGE, 6X45	3	---	---	---	A	---	---	1	95701-06045-00 2529089	
		---	4	5	6		---	---	1	95701-06045-00 2529089	

Ref. No.	BLOCK NO. DESCRIPTION	VF1100C				AREA CODE	ENGINE SERIAL NUMBER		QTY REQ	PART NUMBER	HONDA CODE
		1	2	3	4		FROM	TO			
	3 = VF1100C'83	1	1	1	1						
	4 = VF1100C'84	9	9	9	9						
	5 = VF1100C'85	8	8	8	8						
	6 = VF1100C'86	3	4	5	6						
24	BOLT, FLANGE, 6X45	3	---	---	---	A	---	---	1	95701-06045-07 2410967	
		---	4	5	6		---	---	1	95701-06045-07 2410967	
25	BOLT, FLANGE, 6X70	3	---	---	---	A	---	---	2	95700-06070-00 0698720	
		---	4	5	6		---	---	2	95700-06070-00 0698720	
	BOLT, FLANGE, 6X70	3	---	---	---	A	---	---	2	95701-06070-00 2427284	
		---	4	5	6		---	---	2	95701-06070-00 2427284	
26	BOLT, FLANGE, 6X28	3	---	---	---	A	---	---	10	96000-06028-07 0807339	
		---	4	5	6		---	---	10	96000-06028-07 0807339	
	BOLT, FLANGE, 6X28	3	---	---	---	A	---	---	10	96001-06028-07 2106011	
		---	4	5	6		---	---	10	96001-06028-07 2106011	

**CONTENTS**

TITLE	PAGE	GRID
ALTERNATOR	28	1-C2
CAM CHAIN	15	1-B7
CAMSHAFT	12	1-B6
CARBURETOR (ASSY LINK)	64	1-D8
CARBURETOR (COMP PARTS)	70	1-D11
CLUTCH	22	1-B11
COVER, RR	30	1-C3
CRANKCASE COVER, R	20	1-B10
CRANKSHAFT	42	1-C9
CROSS SHAFT	60	1-D6
CYLINDER BLOCK	38	1-C7
CYLINDER HEAD COVER	2	1-B1
CYLINDER, FR	3	1-B1
CYLINDER, RR	8	1-B4
GASKET KIT A	74	1-E1
GASKET KIT B	75	1-E1
GEARSHIFT DRUM	52	1-D2
OIL FILTER	34	1-C5
OIL PAN	34	1-C5
OIL PUMP	34	1-C5
PISTON	42	1-C9
PULSE ALTERNATOR	26	1-C1
STARTER CLUTCH	26	1-C1
STARTER MOTOR	32	1-C4
TENSIONER	15	1-B7
THERMOSTAT	56	1-D4
TRANSMISSION	48	1-C12
VALVE	12	1-B6
WATER PIPE	56	1-D4
WATER PUMP	30	1-C3

VF1100C'83 ENGINE NO.; SC12E-2000039 TO 2018597  
 VF1100C'83 FRAME NO.; SC120-DM000029 TO DM017677  
 VF1100C'84 ENGINE NO.; SC12E-2100001 TO 2116075  
 VF1100C'84 FRAME NO.; SC120-EA100001 TO EA117064

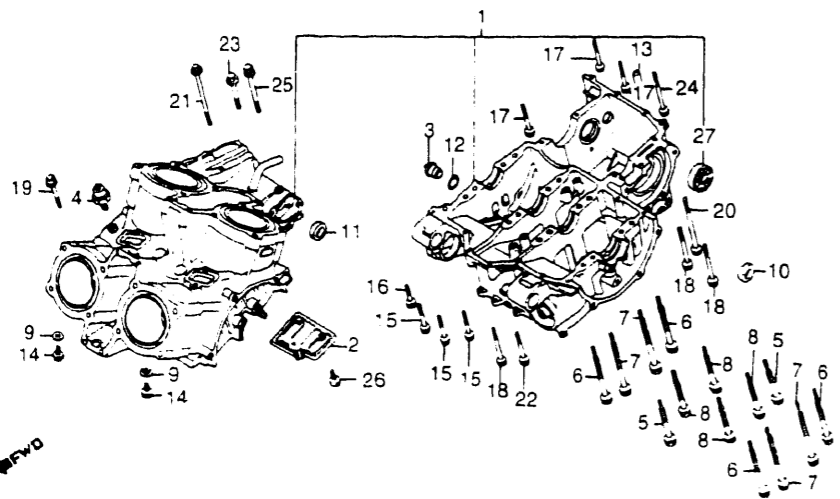
VF1100C'84 ENGINE NO.; SC12E-2102298 TO 2114635  
 VF1100C'84 FRAME NO.; SC121-EA100004 TO EA117067  
 VF1100C'85 ENGINE NO.; SC12E-2200001 TO 2208055  
 VF1100C'85 FRAME NO.; SC120-FA200006 TO FA208465

VF1100C'85 ENGINE NO.; SC12E-2200001 TO 2206580  
 VF1100C'85 FRAME NO.; SC121-FA200001 TO FA206845  
 VF1100C'86 ENGINE NO.; SC12E-2300020 TO 2304336  
 VF1100C'86 FRAME NO.; SC120-GM300101 TO GM304425

VF1100C'86 ENGINE NO.; SC12E-2300001 TO 2302532  
 VF1100C'86 FRAME NO.; SC121-GM301306 TO GM302625



# CYLINDER BLOCK



E14MB4D12

Ref. No.	BLOCK NO. DESCRIPTION	VF1100C				AREA CODE	ENGINE SERIAL NUMBER		QTY REQ	PART NUMBER	HONDA CODE
		1	2	3	4		FROM	TO			
	3 = VF1100C'83 4 = VF1100C'84 5 = VF1100C'85 6 = VF1100C'86	1	1	1	1						
1	CRANKCASE SET	3	--	--	--	A	----	----	1	11000-MB4-000 1385988	
	CRANKCASE SET	--	4	5	--		----	----	1	11000-MB4-000 1385988	
2	PLATE, OIL SEPARATE	3	--	--	6	A	----	----	1	11000-MB4-830 2248896	
3	CAP, MAIN GALLERY	3	--	--	6	A	----	----	1	11140-MB4-000 1385996	
		--	4	5	6		----	----	1	11140-MB4-000 1385996	
4	SWITCH ASSY., OIL PRESSURE	3	--	--	--	A	----	----	1	35500-MB9-004 1087204	
		--	4	--	--		----	----	1	35500-MB9-004 1087204	
		--	--	5	--		2205342	----	1	35500-MB9-004 1087204	
	SWITCH ASSY., OIL PRESSURE	3	--	--	--	A	----	----	1	35500-MJ0-004 1734599	
		--	4	--	--		----	----	1	35500-MJ0-004 1734599	
		--	--	5	--		2205342	----	1	35500-MJ0-004 1734599	
	SWITCH ASSY., OIL PRESSURE	3	--	--	--	A	----	----	1	35500-MJ4-004 1851955	
		--	4	--	--		----	----	1	35500-MJ4-004 1851955	
		--	--	5	--		2205342	----	1	35500-MJ4-004 1851955	
	SWITCH ASSY., OIL PRESSURE (ND)	3	--	--	--	A	----	----	1	35500-MJ4-014 1876721	
		--	4	5	6		----	----	1	35500-MJ4-014 1876721	
		--	--	5	--		2205342	----	1	35500-MJ4-014 1876721	

Ref. No.	BLOCK NO. DESCRIPTION	VF1100C				AREA CODE	ENGINE SERIAL NUMBER		QTY REQ	PART NUMBER	HONDA CODE
		1	2	3	4		FROM	TO			
	3 = VF1100C'83 4 = VF1100C'84 5 = VF1100C'85 6 = VF1100C'86	1	1	1	1						
4	SWITCH ASSY., OIL PRESSURE (ND)	3	--	--	--	A	----	----	1	35500-MJ4-024 3544608	
		--	4	5	6		----	----	1	35500-MJ4-024 3544608	
		--	--	5	--		2205342	----	1	35500-MJ4-024 3544608	
5	BOLT, UBS, 10X80	3	--	--	--	A	----	----	2	90014-MB4-000 1388685	
		--	4	5	6		----	----	2	90014-MB4-000 1388685	
6	BOLT, UBS, 10X103	3	--	--	--	A	----	----	4	90015-MB4-000 1388693	
		--	4	5	6		----	----	4	90015-MB4-000 1388693	
7	BOLT, UBS, 10X113	3	--	--	--	A	----	----	4	90016-MB4-000 1388701	
		--	4	5	6		----	----	4	90016-MB4-000 1388701	
8	BOLT, UBS, 10X90	3	--	--	--	A	----	----	4	90018-MB4-000 1388727	
		--	4	5	6		----	----	4	90018-MB4-000 1388727	
9	WASHER, SEALING, 6.5X12	3	--	--	--	A	----	----	2	90461-357-000 0350215	
		--	4	5	--		----	----	2	90461-357-000 0350215	
	WASHER, SEALING, 6.5MM	--	--	--	6		----	----	2	90461-MF2-710 2248292	
10	OIL SEAL, 12.5X25X8 (ARAI)	3	--	--	--	A	----	----	1	91204-425-003 1067024	
		--	4	5	6		----	----	1	91204-425-003 1067024	
11	OIL SEAL, 14X24X6 (ARAI)	3	--	--	--	A	----	----	1	91202-444-023 2235497	
		--	4	5	6		----	----	1	91202-444-023 2235497	
		--	--	5	--		2202185	----	1	91202-444-023 2235497	
	SEAL, OIL	3	--	--	--	A	----	----	1	91210-MB0-003 1260793	
		--	4	--	6		----	----	1	91210-MB0-003 1260793	
		--	--	5	--		2202185	----	1	91210-MB0-003 1260793	
	SEAL, OIL, 14X24X6	3	--	--	--	A	----	----	1	91210-MB0-013 2248359	
		--	4	5	6		----	----	1	91210-MB0-013 2248359	
		--	--	5	--		2202185	----	1	91210-MB0-013 2248359	
	SEAL, OIL, 14X24X6	--	--	--	6		----	----	1	91210-MB0-005 2248342	
12	O-RING, 18X2.8	3	--	--	--	A	----	----	1	91314-MB0-003 1260876	
		--	4	5	6		----	----	1	91314-MB0-003 1260876	
13	PIN A, DOWEL, 10X16	3	--	--	--	A	----	----	1	94301-10160 0058206	
		--	4	5	6		----	----	1	94301-10160 0058206	
14	BOLT, FLANGE, 6X12	3	--	--	--	A	----	----	2	95700-06012-00 0487025	
		--	4	5	6		----	----	2	95700-06012-00 0487025	
	BOLT, FLANGE, 6X12	3	--	--	--	A	----	----	2	95701-06012-00 2105799	
		--	4	5	6		----	----	2	95701-06012-00 2105799	
15	BOLT, FLANGE, 6X32	3	--	--	--	A	----	----	3	95700-06032-00 0484477	
		--	4	5	6		----	----	3	95700-06032-00 0484477	
	BOLT, FLANGE, 6X32	3	--	--	--	A	----	----	3	95701-06032-00 2105856	
		--	4	5	6		----	----	3	95701-06032-00 2105856	
16	BOLT, FLANGE, 6X40	3	--	--	--	A	----	----	1	95700-06040-00 0483966	
		--	4	5	6		----	----	1	95700-06040-00 0483966	

# CONTENTS

TITLE	PAGE	GRID
ALTERNATOR	28	1-C2
CAM CHAIN	15	1-B7
CAMSHAFT	12	1-B6
CARBURETOR (ASSY. LINK)	64	1-D8
CARBURETOR (COMP PARTS)	70	1-D11
CLUTCH	22	1-B11
COVER, RR	30	1-C3
CRANKCASE COVER, P.	20	1-B10
CRANKSHAFT	42	1-C9
CROSS SHAFT	60	1-D6
CYLINDER BLOCK	38	1-C7
CYLINDER HEAD COVER	2	1-B1
CYLINDER, FR	3	1-B1
CYLINDER, RR	8	1-B4
GASKET KIT A	74	1-E1
GASKET KIT B	75	1-E1
GEARSHIFT DRUM	52	1-D2
OIL FILTER	34	1-C5
OIL PAN	34	1-C5
OIL PUMP	34	1-C5
PISTON	42	1-C9
PULSE ALTERNATOR	26	1-C1
STARTER CLUTCH	26	1-C1
STARTER MOTOR	32	1-C4
TENSIONER	15	1-B7
THERMOSTAT	56	1-D4
TRANSMISSION	48	1-C12
VALVE	12	1-B6
WATER PIPE	56	1-D4
WATER PUMP	30	1-C3

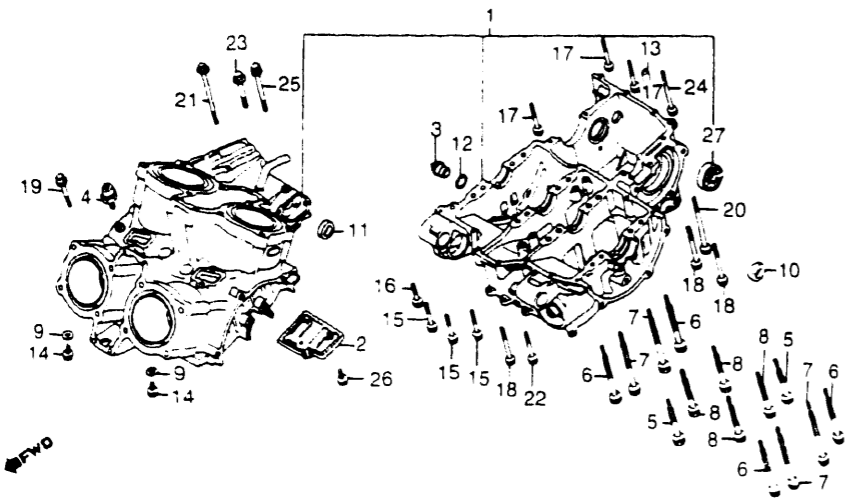
VF1100C'83 ENGINE NO.; SC12E-2000039 TO 2018597  
 VF1100C'83 FRAME NO.; SC120-DM000029 TO DM017677  
 VF1100C'84 ENGINE NO.; SC12E-2100001 TO 2116075  
 VF1100C'84 FRAME NO.; SC120-EA100001 TO EA117064

VF1100C'84 ENGINE NO.; SC12E-2102298 TO 2114635  
 VF1100C'84 FRAME NO.; SC121-EA100004 TO EA117067  
 VF1100C'85 ENGINE NO.; SC12E-2200001 TO 2203055  
 VF1100C'85 FRAME NO.; SC120-FA200006 TO FA208465

VF1100C'85 ENGINE NO.; SC12E-2200001 TO 2206580  
 VF1100C'85 FRAME NO.; SC121-FA200001 TO FA206845  
 VF1100C'86 ENGINE NO.; SC12E-2300020 TO 2304336  
 VF1100C'86 FRAME NO.; SC120-GM300101 TO GM304425

VF1100C'86 ENGINE NO.; SC12E-2300001 TO 2302532  
 VF1100C'86 FRAME NO.; SC121-GM301306 TO GM302625

# CYLINDER BLOCK



E14MB4D12

Ref. No.	BLOCK NO. DESCRIPTION	VF1100C				AREA CODE	ENGINE SERIAL NUMBER		QTY REQ	PART NUMBER	HONDA CODE
		1	2	3	4		FROM	TO			
3 = VF1100C'83 4 = VF1100C'84 5 = VF1100C'85 6 = VF1100C'86											
16	BOLT, FLANGE, 6X40	3	---	---	---	A	---	---	1	95701-06040-00	2410942
		---	4	5	6				1	95701-06040-00	2410942
17	BOLT, FLANGE, 6X45	3	---	---	---	A	---	---	3	95700-06045-00	0687830
		---	4	5	6				3	95700-06045-00	0687830
	BOLT, FLANGE, 6X45	3	---	---	---	A	---	---	3	95701-06045-00	2529089
		---	4	5	6				3	95701-06045-00	2529089
	BOLT, FLANGE, 6X45	3	---	---	---	A	---	---	3	95701-06045-07	2410967
		---	4	5	6				3	95701-06045-07	2410967
18	BOLT, FLANGE, 6X50	3	---	---	---	A	---	---	3	95700-06050-00	0483974
		---	4	5	6				3	95700-06050-00	0483974
	BOLT, FLANGE, 6X50	3	---	---	---	A	---	---	3	95701-06050-00	2410975
		---	4	5	6				3	95701-06050-00	2410975
19	BOLT, FLANGE, 6X50	3	---	---	---	A	---	---	1	95700-06050-07	1113596
		---	4	5	6				1	95700-06050-07	1113596
20	BOLT, FLANGE, 6X90	3	---	---	---	A	---	---	1	95700-06090-00	0484014
		---	4	5	6				1	95700-06090-00	0484014
	BOLT, FLANGE, 6X90	3	---	---	---	A	---	---	1	95701-06090-00	2533842
		---	4	5	6				1	95701-06090-00	2533842

Ref. No.	BLOCK NO. DESCRIPTION	VF1100C				AREA CODE	ENGINE SERIAL NUMBER		QTY REQ	PART NUMBER	HONDA CODE
		1	2	3	4		FROM	TO			
3 = VF1100C'83 4 = VF1100C'84 5 = VF1100C'85 6 = VF1100C'86											
21	BOLT, FLANGE, 6X100	3	---	---	---	A	---	---	1	95700-06100-07	1113612
		---	4	5	6				1	95700-06100-07	1113612
22	BOLT, FLANGE, 8X35	3	---	---	---	A	---	---	1	95700-08035-00	0496489
		---	4	5	6				1	95700-08035-00	0496489
	BOLT, FLANGE, 8X35	3	---	---	---	A	---	---	1	95701-08035-00	2724029
		---	4	5	6				1	95701-08035-00	2724029
23	BOLT, FLANGE, 8X50	3	---	---	---	A	---	---	1	95700-08050-07	0491571
		---	4	5	6				1	95700-08050-07	0491571
	BOLT, FLANGE, 8X50	3	---	---	---	A	---	---	1	95701-08050-07	2891042
		---	4	5	6				1	95701-08050-07	2891042
24	BOLT, FLANGE, 8X65	3	---	---	---	A	---	---	1	95700-08065-00	0671230
		---	4	5	6				1	95700-08065-00	0671230
	BOLT, FLANGE, 8X65	3	---	---	---	A	---	---	1	95701-08065-00	2529113
		---	4	5	6				1	95701-08065-00	2529113
25	BOLT, FLANGE, 8X80	3	---	---	---	A	---	---	1	95700-08080-07	1371236
		---	4	5	6				1	95700-08080-07	1371236
	BOLT, FLANGE, 8X80	3	---	---	---	A	---	---	1	95701-08080-07	2867117
		---	4	5	6				1	95701-08080-07	2867117
26	BOLT, FLANGE, 6X12	3	---	---	---	A	---	---	3	96000-06012-00	0823666
		---	4	5	6				3	96000-06012-00	0823666
	BOLT, FLANGE, 6X12	3	---	---	---	A	---	---	3	96001-06012-00	2105930
		---	4	5	6				3	96001-06012-00	2105930
27	BEARING, RADIAL BALL, 6304	3	---	---	---	A	---	---	1	96100-63040-00	0341644
		---	4	5	6				1	96100-63040-00	0341644

# CONTENTS

TITLE	PAGE	GRID
ALTERNATOR	28	1-C2
CAM CHAIN	15	1-B7
CAMSHAFT	12	1-B6
CARBURETOR (ASSY. LINK)	64	1-D8
CARBURETOR (COMP. PARTS)	70	1-D11
CLUTCH	22	1-B11
COVER, RR	30	1-C3
CRANKCASE COVER, R.	20	1-B10
CRANKSHAFT	42	1-C9
CROSS SHAFT	60	1-D6
CYLINDER BLOCK	38	1-C7
CYLINDER HEAD COVER	2	1-B1
CYLINDER, FR	3	1-B1
CYLINDER, RR	8	1-B4
GASKET KIT	74	1-E1
GASKET KIT B	75	1-E1
GEARSHIFT DRUM	52	1-D2
OIL FILTER	34	1-C5
OIL PAN	34	1-C5
OIL PUMP	34	1-C5
PISTON	42	1-C9
PULSE ALTERNATOR	26	1-C1
STARTER CLUTCH	26	1-C1
STARTER MOTOR	32	1-C4
TENSIONER	15	1-B7
THERMOSTAT	56	1-D4
TRANSMISSION	48	1-C12
VALVE	12	1-B6
WATER PIPE	56	1-D4
WATER PUMP	30	1-C3

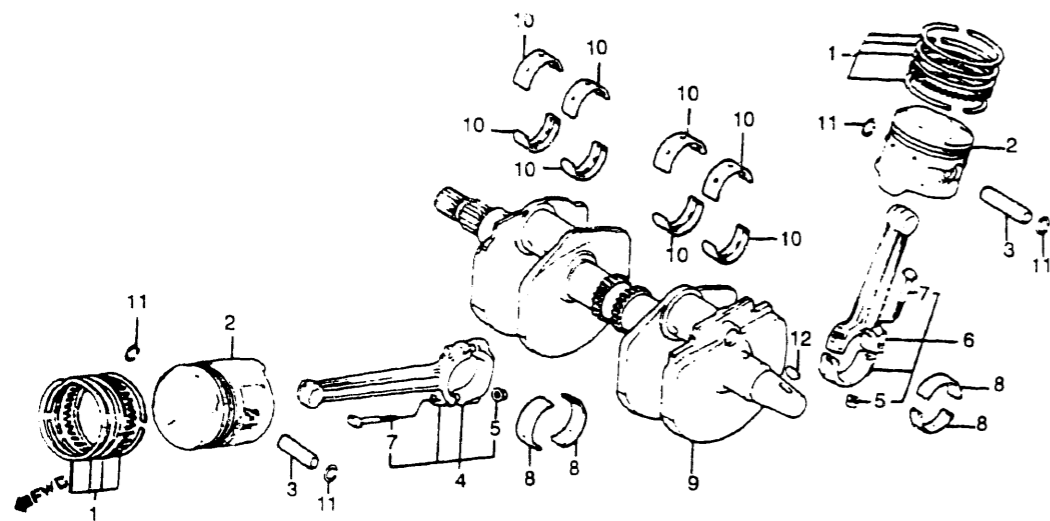
VF1100C'83 ENGINE NO.; SC12E-2000039 TO 2018597  
 VF1100C'83 FRAME NO.; SC120-DM000029 TO DM017677  
 VF1100C'84 ENGINE NO.; SC12E-2100001 TO 2116075  
 VF1100C'84 FRAME NO.; SC120-EA100001 TO EA117064

VF1100C'84 ENGINE NO.; SC12E-2102298 TO 2114635  
 VF1100C'84 FRAME NO.; SC121-EA100004 TO EA117067  
 VF1100C'85 ENGINE NO.; SC12E-2200001 TO 2208055  
 VF1100C'85 FRAME NO.; SC120-FA200006 TO FA208465

VF1100C'85 ENGINE NO.; SC12E-2200001 TO 2206580  
 VF1100C'85 FRAME NO.; SC121-FA200001 TO FA206845  
 VF1100C'86 ENGINE NO.; SC12E-2300020 TO 2304336  
 VF1100C'86 FRAME NO.; SC120-GM300101 TO GM304425

VF1100C'86 ENGINE NO.; SC12E-2300001 TO 2302532  
 VF1100C'86 FRAME NO.; SC121-GM301306 TO GM302625

# CRANKSHAFT • PISTON



Connecting rod selection table

#1, #2 Connecting rods					#3, #4 Connecting rods				
#1 Rod code	#2 Rod code				#3 Rod code	#4 Rod code			
	A	B	C	D		A	B	C	D
A			•	•	A			•	•
B		•	•	•	B		•	•	•
C	•	•	•		C	•	•	•	
D	•	•			D	•	•		

E14MB4D13T

# CRANKSHAFT • PISTON

## Connecting rod bearing selection

(Oil clearance 20-44µm)

Connecting rod I.D. 43φ		Crank pin O.D. 40φ	
		A	B
1	0	C (Yellow)	B (Green)
	+0.008		
2	+0.008	B (Green)	A (Brown)
	+0.016		

E14MB4D13 C

Ref. No.	BLOCK NO.	E-13	VF1100C				AREA	ENGINE SERIAL NUMBER		QTY REQ	PART NUMBER	HONDA CODE
			1	1	1	1		FROM	TO			
3			1	1	1	1						
4			8	8	8	8						
5			3	4	5	6						
6			3	4	5	6						
1	RING SET, PISTON (STD.) (RIKEN) ..		3	--	--	--	A	-----	-----	4	13011-ME9-004	1367036
			--	4	5	6				4	13011-ME9-004	1367036
	RING SET, PISTON (0.25) (RIKEN) ..		3	--	--	--	A	-----	-----	(4)	13021-ME9-004	1367051
			--	4	5	6				(4)	13021-ME9-004	1367051
	RING SET, PISTON (0.50) (RIKEN) ..		3	--	--	--	A	-----	-----	(4)	13031-ME9-004	1367077
			--	4	5	6				(4)	13031-ME9-004	1367077
	RING SET, PISTON (STD.) (TEIKOKU)		--	4	5	6				4	13011-MB4-005	1707751
	RING SET, PISTON (0.25) (TEIKOKU)		--	4	5	6				(4)	13021-MB4-005	1707769
	RING SET, PISTON (0.50) (TEIKOKU)		--	4	5	6				(4)	13031-MB4-005	1707777
2	PISTON (STD.) .....		3	--	--	--	A	-----	-----	4	13101-MB4-000	1385657
			--	4	5	6				4	13101-MB4-000	1385657
	PISTON (0.25) .....		3	--	--	--	A	-----	-----	(4)	13102-MB4-000	1390244
			--	4	5	6				(4)	13102-MB4-000	1390244
	PISTON (0.50) .....		3	--	--	--	A	-----	-----	(4)	13103-MB4-000	1390269
			--	4	5	6				(4)	13103-MB4-000	1390269
3	PIN, PISTON .....		3	--	--	--	A	-----	-----	4	13111-ME9-000	1367127
			--	4	5	6				4	13111-ME9-000	1367127

E AMERICAN HONDA MOTOR CO. INC. 1994 43

# CONTENTS

TITLE	PAGE	GRID
ALTERNATOR	28	1-C2
CAM CHAIN	15	1-B7
CAMSHAFT	12	1-B6
CARBURETOR (ASSY LINK)	64	1-D8
CARBURETOR (COMP. PARTS)	70	1-D11
CLUTCH	22	1-B11
COVER, RR.	30	1-C3
CRANKCASE COVER, R.	20	1-B10
CRANKSHAFT	42	1-C9
CROSS SHAFT	60	1-D6
CYLINDER BLOCK	38	1-C7
CYLINDER HEAD COVER	2	1-B1
CYLINDER, FR.	3	1-B1
CYLINDER, RR.	8	1-B4
GASKET KIT A	74	1-E1
GASKET KIT B	75	1-E1
GEARSHIFT DRUM	52	1-D2
OIL FILTER	34	1-C5
OIL PAN	34	1-C5
OIL PUMP	34	1-C5
PISTON	42	1-C9
PULSE ALTERNATOR	26	1-C1
STARTER CLUTCH	26	1-C1
STARTER MOTOR	32	1-C4
TENSIONER	15	1-B7
THERMOSTAT	56	1-D4
TRANSMISSION	48	1-C12
VALVE	12	1-B6
WATER PIPE	56	1-D4
WATER PUMP	30	1-C3

GRID

1-C9

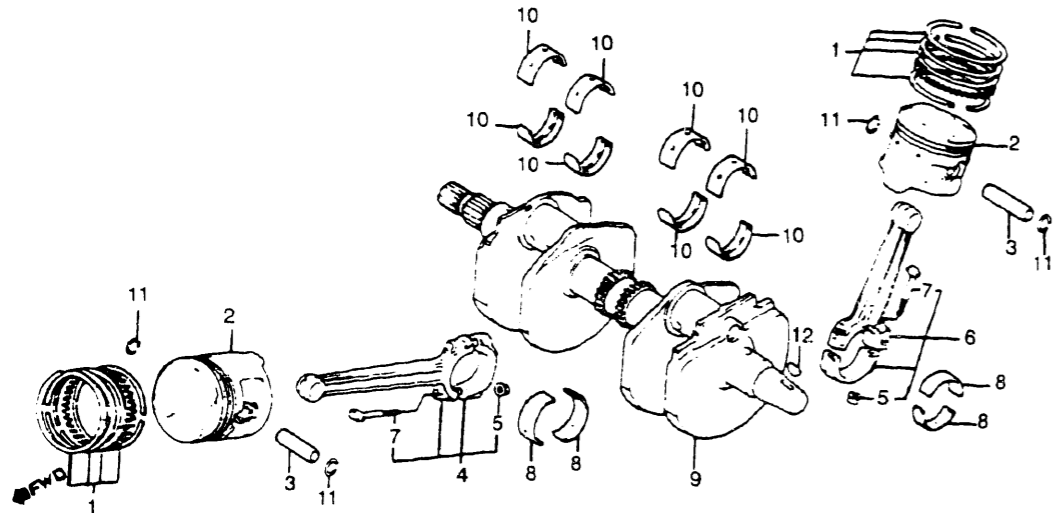
VF1100C'83 ENGINE NO.; SC12E-2000039 TO 2018597  
 VF1100C'83 FRAME NO.; SC120-DM000029 TO DM017677  
 VF1100C'84 ENGINE NO.; SC12E-2100001 TO 2116075  
 VF1100C'84 FRAME NO.; SC120-EA100001 TO EA117064

VF1100C'84 ENGINE NO.; SC12E-2102298 TO 2114635  
 VF1100C'84 FRAME NO.; SC121-EA100004 TO EA117067  
 VF1100C'85 ENGINE NO.; SC12E-2200001 TO 2208055  
 VF1100C'85 FRAME NO.; SC120-FA200006 TO FA208465

VF1100C'85 ENGINE NO.; SC12E-2200001 TO 2206580  
 VF1100C'85 FRAME NO.; SC121-FA200001 TO FA206845  
 VF1100C'86 ENGINE NO.; SC12E-2300020 TO 2304336  
 VF1100C'86 FRAME NO.; SC120-GM300101 TO GM304425

VF1100C'86 ENGINE NO.; SC12E-2300001 TO 2302532  
 VF1100C'86 FRAME NO.; SC121-GM301306 TO GM302625

# CRANKSHAFT • PISTON



Connecting rod selection table

#1, #2 Connecting rods				#3, #4 Connecting rods			
#1 Rod code	#2 Rod code			#3 Rod code	#4 Rod code		
	A	B	C		A	B	C
A			•	A			•
B		•	•	B		•	•
C	•	•	•	C	•	•	•
D	•	•		D	•	•	

E14MB4D13T

Ref. No.	BLOCK NO. DESCRIPTION	E-13				AREA CODE	ENGINE SERIAL NUMBER FROM TO	QTY REQ	PART NUMBER	HONDA CODE
		3	4	5	6					
		3 = VF1100C83								
		4 = VF1100C84								
		5 = VF1100C85								
		6 = VF1100C86								
			1	1	1	1				
			9	9	9	9				
			8	8	8	8				
			3	4	5	6				
4	ROD ASSY. A, FR. CONNECTING	3	--	--	--	A			2	13201-MB4-000 1386093
		--	4	5	6				2	13201-MB4-000 1386093
	ROD ASSY. B, FR. CONNECTING	3	--	--	--	A			2	13202-MB4-000 1386101
		--	4	5	6				2	13202-MB4-000 1386101
	ROD B FR CONNECTING	3	--	--	--	A			2	13202-MB4-405 4117867
		--	4	5	6				2	13202-MB4-405 4117867
	ROD ASSY. C, FR. CONNECTING	3	--	--	--	A			2	13203-MB4-000 1386119
		--	4	5	6				2	13203-MB4-000 1386119
	ROD ASSY. D, FR. CONNECTING	3	--	--	--	A			2	13204-MB4-000 1425925
		--	4	5	6				2	13204-MB4-000 1425925
5	NUT, CONNECTING ROD	3	--	--	--	A			8	13205-634-010 0549493
		--	4	5	6				8	13205-634-010 0549493
6	ROD ASSY. A, RR. CONNECTING	3	--	--	--	A			2	13206-MB4-000 1386127
		--	4	5	6				2	13206-MB4-000 1386127
	ROD ASSY. B, RR. CONNECTING	3	--	--	--	A			2	13207-MB4-000 1386135
		--	4	5	6				2	13207-MB4-000 1386135
	ROD ASSY. C, RR. CONNECTING	3	--	--	--	A			2	13208-MB4-000 1386143
		--	4	5	6				2	13208-MB4-000 1386143
	ROD ASSY. D, RR. CONNECTING	3	--	--	--	A			2	13209-MB4-000 1425933
		--	4	5	6				2	13209-MB4-000 1425933
7	BOLT, CONNECTING ROD	3	--	--	--	A			8	13213-MC7-004 1213982
		--	4	5	6				8	13213-MC7-004 1213982
8	BEARING A, CONNECTING ROD (BROWN)	3	--	--	--	A			8	13224-MB4-003 1425941
		--	4	5	6				8	13224-MB4-003 1425941
	BEARING A, CONNECTING ROD	3	--	--	--	A			8	13224-MJ4-010 3754223
		--	4	5	6				8	13224-MJ4-010 3754223
	BEARING B, CONNECTING ROD (GREEN)	3	--	--	--	A			8	13225-MB4-003 1425966
		--	4	5	6				8	13225-MB4-003 1425966
	BEARING B, CONNECTING ROD	3	--	--	--	A			8	13225-MJ4-010 3753332
		--	4	5	6				8	13225-MJ4-010 3753332
	BEARING C, CONNECTING ROD (YELLOW)	3	--	--	--	A			8	13226-MB4-003 1425974
		--	4	5	6				8	13226-MB4-003 1425974
	BEARING C, CONNECTING ROD	3	--	--	--	A			8	13226-MJ4-010 3754231
		--	4	5	6				8	13226-MJ4-010 3754231
9	CRANKSHAFT COMP.	3	--	--	--	A			1	13300-MB4-000 1386184
		--	4	--	--		2104545		1	13300-MB4-000 1386184
	CRANKSHAFT COMP.	3	--	--	--	A			1	13300-MB4-010 1995174
		--	4	--	--		2104545		1	13300-MB4-010 1995174
		--	4	5	6				1	13300-MB4-010 1995174

AMERICAN HONDA MOTOR CO. INC. 1994 45

# CONTENTS

TITLE	PAGE	GRID
ALTERNATOR	28	1-C2
CAM CHAIN	15	1-B7
CAMSHAFT	12	1-B6
CARBURETOR (ASSY. LINK)	64	1-D8
CARBURETOR (COMP. PARTS)	70	1-D11
CLUTCH	22	1-B11
COVER, RR.	30	1-C3
CRANKCASE COVER, R	20	1-B10
CRANKSHAFT	42	1-C9
CROSS SHAFT	60	1-D6
CYLINDER BLOCK	38	1-C7
CYLINDER HEAD COVER	2	1-B1
CYLINDER, FR.	3	1-B1
CYLINDER, RR.	8	1-B4
GASKET KIT A	74	1-E1
GASKET KIT B	75	1-E1
GEARSHIFT DRUM	52	1-D2
OIL FILTER	34	1-C5
OIL PAN	34	1-C5
OIL PUMP	34	1-C5
PISTON	42	1-C9
PULSE ALTERNATOR	26	1-C1
STARTER CLUTCH	26	1-C1
STARTER MOTOR	32	1-C4
TENSIONER	15	1-B7
THERMOSTAT	56	1-D4
TRANSMISSION	48	1-C12
VALVE	12	1-B6
WATER PIPE	56	1-D4
WATER PUMP	30	1-C3

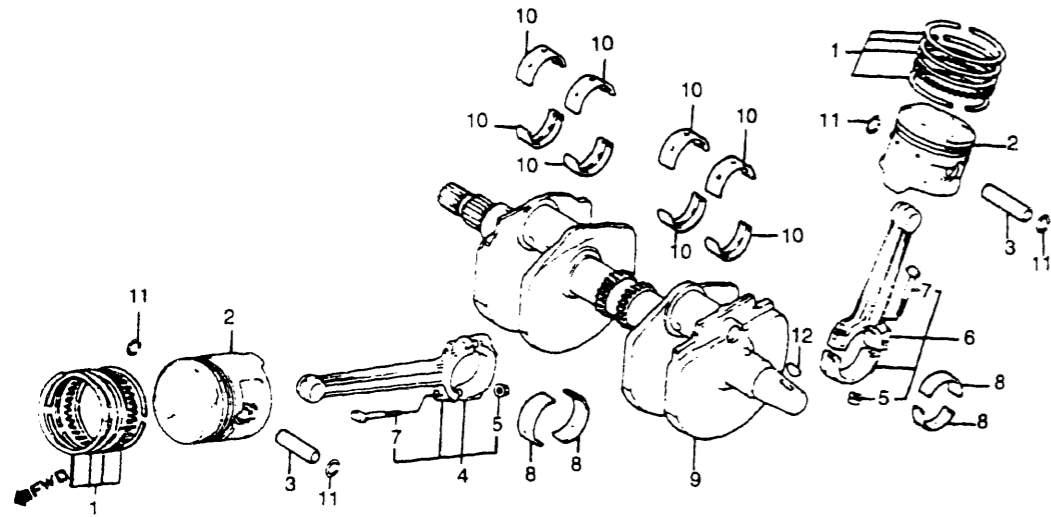
VF1100C'83 ENGINE NO.; SC12E-2000039 TO 2018597  
 VF1100C'83 FRAME NO.; SC120-DM000029 TO DM017677  
 VF1100C'84 ENGINE NO.; SC12E-2100001 TO 2116075  
 VF1100C'84 FRAME NO.; SC120-EA100001 TO EA117064

VF1100C'84 ENGINE NO.; SC12E-2102298 TO 2114635  
 VF1100C'84 FRAME NO.; SC121-EA100004 TO EA117067  
 VF1100C'85 ENGINE NO.; SC12E-2200001 TO 2208055  
 VF1100C'85 FRAME NO.; SC120-FA200006 TO FA208465

VF1100C'85 ENGINE NO.; SC12E-2200001 TO 2206580  
 VF1100C'85 FRAME NO.; SC121-FA200001 TO FA206845  
 VF1100C'86 ENGINE NO.; SC12E-2300020 TO 2304336  
 VF1100C'86 FRAME NO.; SC120-GM300101 TO GM304425

VF1100C'86 ENGINE NO.; SC12E-2300001 TO 2302532  
 VF1100C'86 FRAME NO.; SC121-GM301306 TO GM302625

# CRANKSHAFT • PISTON



Connecting rod selection table

#1, #2 Connecting rods					#3, #4 Connecting rods				
#1 Rod code	#2 Rod code				#3 Rod code	#4 Rod code			
	A	B	C	D		A	B	C	D
A			•	•	A			•	•
B		•	•	•	B		•	•	•
C	•	•	•		C	•	•	•	
D	•	•			D	•	•		

E14MB4D13T

3 = VF1100C'83  
4 = VF1100C'84  
5 = VF1100C'85  
6 = VF1100C'86

Ref. No.	BLOCK NO. E-13 DESCRIPTION	VF1100C				AREA CODE	ENGINE SERIAL NUMBER		QTY REQ	PART NUMBER	HONDA CODE
		3	4	5	6		FROM	TO			
10	BEARING A, CRANKSHAFT (BROWN) ...	3	---	---	---	A	-----	-----	8	13314-MB4-003	1425982
		---	4	---	---		-----	-----	8	13314-MB4-003	1425982
		---	---	5	---		-----	2206457	8	13314-MB4-003	1425982
	BEARING A, CRANKSHAFT (BROWN) ...	3	---	---	---	A	-----	-----	8	13314-MB4-013	2099455
		---	4	5	6		-----	-----	8	13314-MB4-013	2099455
		---	---	5	---		-----	2206457	8	13314-MB4-013	2099455
	BEARING B, CRANKSHAFT (GREEN) ...	3	---	---	---	A	-----	-----	8	13315-MB4-003	1425990
		---	4	---	---		-----	-----	8	13315-MB4-003	1425990
		---	---	5	---		-----	2206457	8	13315-MB4-003	1425990
	BEARING B, CRANKSHAFT (GREEN) ...	3	---	---	---	A	-----	-----	8	13315-MB4-013	2110179
		---	4	5	6		-----	-----	8	13315-MB4-013	2110179
		---	---	5	---		-----	2206457	8	13315-MB4-013	2110179
	BEARING C, CRANKSHAFT (YELLOW) ..	3	---	---	---	A	-----	-----	8	13316-MB4-003	1426006
		---	4	---	---		-----	-----	8	13316-MB4-003	1426006
		---	---	5	---		-----	2206457	8	13316-MB4-003	1426006
	BEARING C, CRANKSHAFT (YELLOW) ..	3	---	---	---	A	-----	-----	8	13316-MB4-013	2249092
		---	4	5	6		-----	-----	8	13316-MB4-013	2249092
		---	---	5	---		-----	2206457	8	13316-MB4-013	2249092
11	CLIP, PISTON PIN, 1.2X20 .....	3	---	---	---	A	-----	-----	8	90601-KA5-000	1028398
		---	4	5	6		-----	-----	8	90601-KA5-000	1028398
12	KEY, WOODRUFF .....	3	---	---	---	A	-----	-----	1	90741-413-000	0957571
		---	4	5	6		-----	-----	1	90741-413-000	0957571

AMERICAN HONDA MOTOR CO. INC. 1994 47

# CONTENTS

TITLE	PAGE	GRID
ALTERNATOR	28	1-C2
CAM CHAIN	15	1-B7
CAMSHAFT	12	1-B6
CARBURETOR (ASSY. LINK)	64	1-D8
CARBURETOR (COMP. PARTS)	70	1-D11
CLUTCH	22	1-B11
COVER, RR.	30	1-C3
CRANKCASE COVER, R.	20	1-B10
CRANKSHAFT	42	1-C9
CROSS SHAFT	60	1-D6
CYLINDER BLOCK	38	1-C7
CYLINDER HEAD COVER	2	1-B1
CYLINDER, FR.	3	1-B1
CYLINDER, RR.	8	1-B4
GASKET KIT A	74	1-E1
GASKET KIT B	75	1-E1
GEARSHIFT DRUM	52	1-D2
OIL FILTER	34	1-C5
OIL PAN	34	1-C5
OIL PUMP	34	1-C5
PISTON	42	1-C9
PULSE ALTERNATOR	26	1-C1
STARTER CLUTCH	26	1-C1
STARTER MOTOR	32	1-C4
TENSIONER	15	1-B7
THERMOSTAT	56	1-D4
TRANSMISSION	48	1-C12
VALVE	12	1-B6
WATER PIPE	56	1-D4
WATER PUMP	30	1-C3

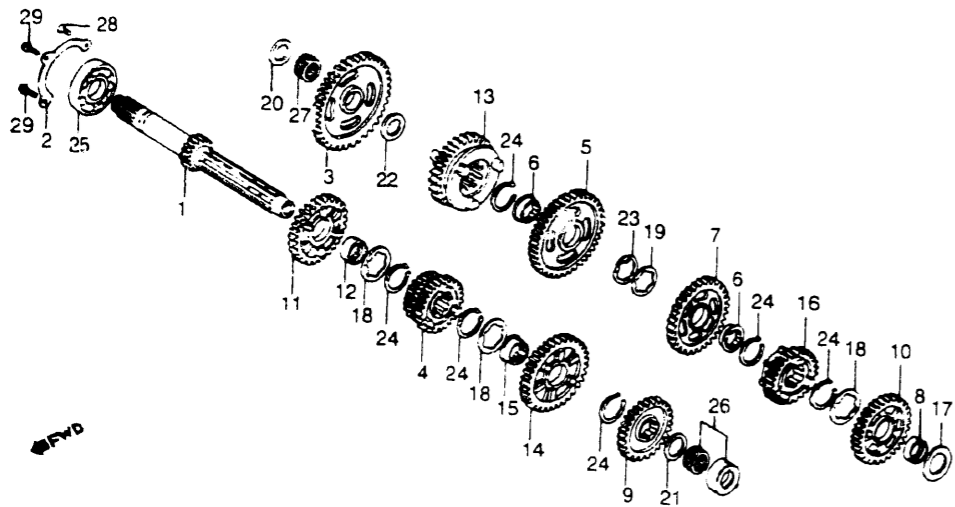
VF1100C'83 ENGINE NO.; SC12E-2000039 TO 2018597  
VF1100C'83 FRAME NO.; SC120-DM000029 TO DM017677  
VF1100C'84 ENGINE NO.; SC12E-2100001 TO 2116075  
VF1100C'84 FRAME NO.; SC120-EA100001 TO EA117064

VF1100C'84 ENGINE NO.; SC12E-2102298 TO 2114635  
VF1100C'84 FRAME NO.; SC121-EA100004 TO EA117067  
VF1100C'85 ENGINE NO.; SC12E-2200001 TO 2208055  
VF1100C'85 FRAME NO.; SC120-FA200006 TO FA208465

VF1100C'85 ENGINE NO.; SC12E-2200001 TO 2206580  
VF1100C'85 FRAME NO.; SC121-FA200001 TO FA206845  
VF1100C'86 ENGINE NO.; SC12E-2300020 TO 2304336  
VF1100C'86 FRAME NO.; SC120-GM300101 TO GM304425

VF1100C'86 ENGINE NO.; SC12E-2300001 TO 2302532  
VF1100C'86 FRAME NO.; SC121-GM301306 TO GM302625

# TRANSMISSION



E14MB4D14

Ref. No.	BLOCK NO. DESCRIPTION	E-14	VF1100C				AREA CODE	ENGINE SERIAL NUMBER		QTY REQ	PART NUMBER	HONDA CODE
			1	1	1	1		FROM	TO			
	3 = VF1100C'83 4 = VF1100C'84 5 = VF1100C'85 6 = VF1100C'86		1	1	1	1						
1	MAINSHAFT (17T)		3	---	---	---	A	---	---	1	23211-MB4-000 23211-MB4-000	1387117 1387117
2	PLATE, BEARING SETTING		3	---	---	---	A	---	---	1	23212-MB0-000 23212-MB0-000	1242684 1242684
	PLATE, BEARING SETTING		3	---	---	---	A	---	---	1	23212-MB0-010 23212-MB0-010	1781582 1781582
	PLATE, BEARING SETTING		---	---	---	6				1	23212-MB4-830	2250165
3	GEAR, COUNTERSHAFT LOW (39T)		3	---	---	---	A	---	---	1	23421-MB4-000 23421-MB4-000	1387125 1387125
	GEAR, COUNTERSHAFT LOW (39T)		3	---	---	---	A	---	---	1	23421-MB4-830 23421-MB4-830	2250207 2250207
4	GEAR, MAINSHAFT SECOND & THIRD (24T)		3	---	---	---	A	---	---	1	23431-MB4-000 23431-MB4-000	1387141 1387141
	GEAR, MAINSHAFT SECOND & THIRD (18T 21T)		---	---	---	5		2207985		1	23431-MB4-000	1387141
	GEAR, MAINSHAFT SECOND & THIRD (18T 21T)		---	---	---	5	2207986	-----		1	23431-MB4-010	2050219

Ref. No.	BLOCK NO. DESCRIPTION	E-14	VF1100C				AREA CODE	ENGINE SERIAL NUMBER		QTY REQ	PART NUMBER	HONDA CODE
			1	1	1	1		FROM	TO			
	3 = VF1100C'83 4 = VF1100C'84 5 = VF1100C'85 6 = VF1100C'86		1	1	1	1						
4	GEAR, MAINSHAFT SECOND & THIRD (18T 21T)		---	---	5	---		2207986	-----	1	23431-MB4-020 23431-MB4-020	2050227 2050227
5	GEAR, COUNTERSHAFT SECOND (34T)		3	---	---	---	A	---	---	1	23441-MB4-000 23441-MB4-000	1387158 1387158
	GEAR, COUNTERSHAFT SECOND (30T)		---	---	5	---		2207985	-----	1	23441-MB4-000	1387158
	GEAR, COUNTERSHAFT SECOND (30T)		---	---	5	---		2207986	-----	1	23441-MB4-020	2050235
	GEAR, COUNTERSHAFT SECOND (30T)		---	---	5	---		2207986	-----	1	23441-MB4-030	2050243
	GEAR, COUNTERSHAFT SECOND (30T)		---	---	5	---		2207986	-----	1	23441-MB4-830 23441-MB4-830	2250231 2250231
6	COLLAR, SPLINE, 28X11.99		3	---	---	---	A	---	---	2	23442-MB4-000 23442-MB4-000	1387166 1387166
7	GEAR, COUNTERSHAFT THIRD (31T)		3	---	---	---	A	---	---	1	23461-MB4-000 23461-MB4-000	1387174 1387174
	GEAR, COUNTERSHAFT THIRD (27T)		---	---	5	---		2207985	-----	1	23461-MB4-000 23461-MB4-000	1387174 1387174
	GEAR, COUNTERSHAFT THIRD (27T)		---	---	5	---		2207986	-----	1	23461-MB4-010	2050250
	GEAR, COUNTERSHAFT THIRD (27T)		---	---	6	---				1	23461-MB4-830	2250264
8	COLLAR, 28X12		3	---	---	---	A	---	---	1	23462-MB4-000 23462-MB4-000	1387182 1387182
9	GEAR, MAINSHAFT FOURTH (27T)		3	---	---	---	A	---	---	1	23471-MB4-000 23471-MB4-000	1385525 1385525
10	GEAR, COUNTERSHAFT FOURTH (29T)		3	---	---	---	A	---	---	1	23481-MB4-000 23481-MB4-000	1387190 1387190
11	GEAR, MAINSHAFT FIFTH (29T)		3	---	---	---	A	---	---	1	23491-MB4-000 23491-MB4-000	1387208 1387208
12	COLLAR, 28X13.95		3	---	---	---	A	---	---	1	23495-MB4-000 23495-MB4-000	1385475 1385475
13	GEAR, COUNTERSHAFT FIFTH (26T)		3	---	---	---	A	---	---	1	23501-MB4-000 23501-MB4-000	1387216 1387216
14	GEAR, MAINSHAFT SIXTH (32T)		3	---	---	---	A	---	---	1	23511-MB4-000 23511-MB4-000	1387224 1387224
15	COLLAR, SPLINE, 28X16.34		3	---	---	---	A	---	---	1	23512-MB4-000 23512-MB4-000	1387232 1387232
16	GEAR, COUNTERSHAFT SIXTH (24T)		3	---	---	---	A	---	---	1	23521-MB4-000 23521-MB4-000	1387240 1387240
17	WASHER, THRUST, 28MM		3	---	---	---	A	---	---	1	90422-MB4-000 90422-MB4-000	1388834 1388834
18	WASHER, THRUST, 28MM		3	---	---	---	A	---	---	3	90451-422-000 90451-422-000	0691253 0691253

CONTENTS		
TITLE	PAGE	GRID
ALTERNATOR	28	1-C2
CAM CHAIN	15	1-B7
CAMSHAFT	12	1-B6
CARBURETOR (ASSY. LINK)	64	1-D8
CARBURETOR (COMP. PARTS)	70	1-D11
CLUTCH	22	1-B11
COVER, RR.	30	1-C3
CRANKCASE COVER, R.	20	1-B10
CRANKSHAFT	42	1-C9
CROSS SHAFT	60	1-D6
CYLINDER BLOCK	38	1-C7
CYLINDER HEAD COVER	2	1-B1
CYLINDER, FR.	3	1-B1
CYLINDER, RR.	8	1-B4
GASKET KIT A	74	1-E1
GASKET KIT B	75	1-E1
GEARSHIFT DRUM	52	1-D2
OIL FILTER	34	1-C5
OIL PAN	34	1-C5
OIL PUMP	34	1-C5
PISTON	42	1-C9
PULSE ALTERNATOR	26	1-C1
STARTER CLUTCH	26	1-C1
STARTER MOTOR	32	1-C4
TENSIONER	15	1-B7
THERMOSTAT	56	1-D4
TRANSMISSION	48	1-C12
VALVE	12	1-B6
WATER PIPE	56	1-D4
WATER PUMP	30	1-C3

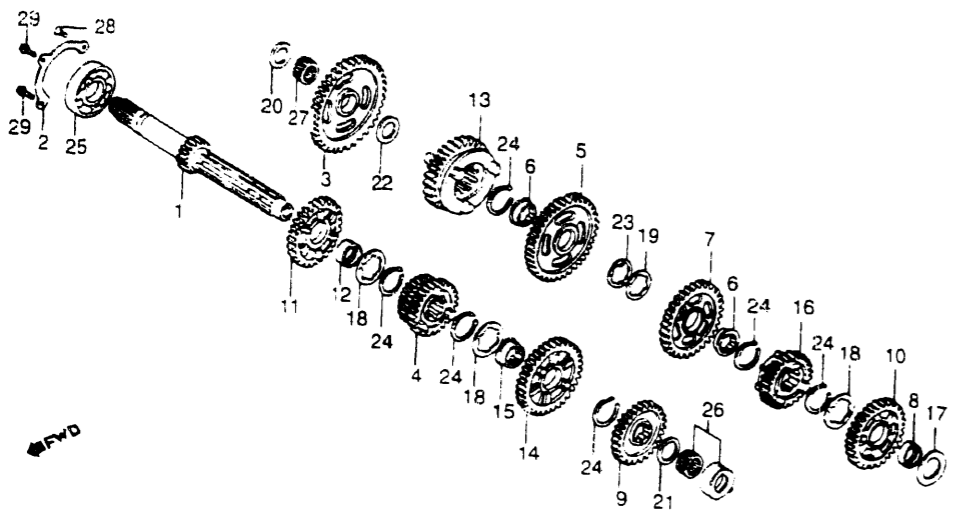
VF1100C'83 ENGINE NO.; SC12E-2000039 TO 2018597  
 VF1100C'83 FRAME NO.; SC120-DM000029 TO DM017677  
 VF1100C'84 ENGINE NO.; SC12E-2100001 TO 2116075  
 VF1100C'84 FRAME NO.; SC120-EA100001 TO EA117064

VF1100C'84 ENGINE NO.; SC12E-2102298 TO 2114635  
 VF1100C'84 FRAME NO.; SC121-EA100004 TO EA117067  
 VF1100C'85 ENGINE NO.; SC12E-2200001 TO 2208055  
 VF1100C'85 FRAME NO.; SC120-FA200006 TO FA208465

VF1100C'85 ENGINE NO.; SC12E-2200001 TO 2206580  
 VF1100C'85 FRAME NO.; SC121-FA200001 TO FA206845  
 VF1100C'86 ENGINE NO.; SC12E-2300020 TO 2304336  
 VF1100C'86 FRAME NO.; SC120-GM300101 TO GM304425

VF1100C'86 ENGINE NO.; SC12E-2300001 TO 2302532  
 VF1100C'86 FRAME NO.; SC121-GM301306 TO GM302625

# TRANSMISSION



E14MB4D14

Ref. No.	BLOCK NO. DESCRIPTION	E-14	VF1100C				AREA CODE	ENGINE SERIAL NUMBER	QTY REQ	PART NUMBER	HONDA CODE
			1	2	3	4					
	3 = VF1100C'83 4 = VF1100C'84 5 = VF1100C'85 6 = VF1100C'86		1	1	1	1					
			9	9	9	9					
			8	8	8	8					
			3	4	5	6					
19	WASHER, THRUST, 28MM		3				A		1	90451-461-000 0926998	
				4	5	6			1	90451-461-000 0926998	
20	WASHER, THRUST, 20X1.05		3				A		AR	90453-MB0-770 1312735	
				4	5	6			AR	90453-MB0-770 1312735	
	WASHER, THRUST, 20X1.00		3				A		AR	90454-428-000 0684902	
				4	5	6			AR	90454-428-000 0684902	
	WASHER, THRUST, 20X0.95		3				A		AR	90455-MB0-770 1312743	
				4	5	6			AR	90455-MB0-770 1312743	
	WASHER, THRUST, 20X0.90		3				A		AR	90456-MB0-770 1312750	
				4	5	6			AR	90456-MB0-770 1312750	
	WASHER, THRUST, 20X0.85		3				A		AR	90457-MB0-770 1312768	
				4	5	6			AR	90457-MB0-770 1312768	
21	WASHER, 22MM		3				A		1	90453-704-000 0417238	
				4	5	6			1	90453-704-000 0417238	
22	WASHER, THRUST, 22MM		3				A		1	90456-323-000 0255232	
				4	5	6			1	90456-323-000 0255232	
23	WASHER, LOCK, 28MM		3				A		1	90464-MB4-010 2490001	
				4	5	6			1	90464-MB4-010 2490001	

Ref. No.	BLOCK NO. DESCRIPTION	E-14	VF1100C				AREA CODE	ENGINE SERIAL NUMBER	QTY REQ	PART NUMBER	HONDA CODE
			1	2	3	4					
	3 = VF1100C'83 4 = VF1100C'84 5 = VF1100C'85 6 = VF1100C'86		1	1	1	1					
			9	9	9	9					
			8	8	8	8					
			3	4	5	6					
24	CIRCLIP, 28MM		3				A		6	90601-422-000 0691303	
				4	5	6			6	90601-422-000 0691303	
25	BEARING, RADIAL BALL, 6206		3				A		1	91006-MB4-003 1388883	
				4	5	6			1	91006-MB4-003 1388883	
	BEARING, RADIAL BALL, 6206		3				A		1	91006-MB4-004 1391598	
				4	5	6			1	91006-MB4-004 1391598	
26	BEARING, NEEDLE, 22MM		3				A		1	91022-422-004 0691329	
				4					1	91022-422-004 0691329	
									1	91022-422-004 0691329	
27	BEARING, NEEDLE, 22X26X11		3				A		1	91026-MB4-003 1431451	
				4	5	6			1	91026-MB4-003 1431451	
28	SCREW, FLAT, 6X16		3				A		1	93600-06016-0A 0805358	
				4	5	6			1	93600-06016-0A 0805358	
29	BOLT, FLANGE, 6X16		3				A		2	96000-06016-00 1113687	
				4	5	6			2	96000-06016-00 1113687	
	BOLT, FLANGE, 6X16		3				A		2	96001-06016-00 2105955	
				4	5	6			2	96001-06016-00 2105955	

CONTENTS		
TITLE	PAGE	GRID
ALTERNATOR	28	1-C2
CAM CHAIN	15	1-B7
CAMSHAFT	12	1-B6
CARBURETOR (ASSY LINK)	64	1-D8
CARBURETOR (COMP. PARTS)	70	1-D11
CLUTCH	22	1-B11
COVER, RR.	30	1-C3
CRANKCASE COVER, R.	20	1-B10
CRANKSHAFT	42	1-C9
CROSS SHAFT	60	1-D6
CYLINDER BLOCK	38	1-C7
CYLINDER HEAD COVER	2	1-B1
CYLINDER, FR.	3	1-B1
CYLINDER, RR.	8	1-B4
GASKET KIT A	74	1-E1
GASKET KIT B	75	1-E1
GEARSHIFT DRUM	52	1-D2
OIL FILTER	34	1-C5
OIL PAN	34	1-C5
OIL PUMP	34	1-C5
PISTON	42	1-C9
PULSE ALTERNATOR	26	1-C1
STARTER CLUTCH	26	1-C1
STARTER MOTOR	32	1-C4
TENSIONER	15	1-B7
THERMOSTAT	56	1-D4
TRANSMISSION	48	1-C12
VALVE	12	1-B6
WATER PIPE	56	1-D4
WATER PUMP	30	1-C3

VF1100C'83 ENGINE NO.; SC12E-2000039 TO 2018597  
 VF1100C'83 FRAME NO.; SC120-DM00029 TO DM017677  
 VF1100C'84 ENGINE NO.; SC12E-2100001 TO 2116075  
 VF1100C'84 FRAME NO.; SC120-EA100001 TO EA117064

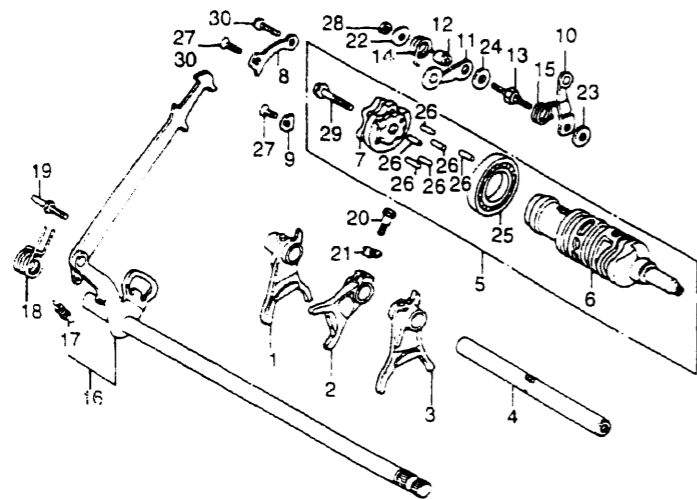
VF1100C'84 ENGINE NO.; SC12E-2102298 TO 2114635  
 VF1100C'84 FRAME NO.; SC121-EA100004 TO EA117067  
 VF1100C'85 ENGINE NO.; SC12E-2200001 TO 2208055  
 VF1100C'85 FRAME NO.; SC120-FA200006 TO FA208465

VF1100C'85 ENGINE NO.; SC12E-2200001 TO 2206580  
 VF1100C'85 FRAME NO.; SC121-FA200001 TO FA206845  
 VF1100C'86 ENGINE NO.; SC12E-2300020 TO 2304336  
 VF1100C'86 FRAME NO.; SC120-GM300101 TO GM304425

VF1100C'86 ENGINE NO.; SC12E-2300001 TO 2302532  
 VF1100C'86 FRAME NO.; SC121-GM301306 TO GM302625



# GEARSHIFT DRUM



E14MB4D15

Ref. No.	BLOCK NO. DESCRIPTION	E-15	VF1100C				AREA CODE	ENGINE SERIAL NUMBER	QTY REQ	PART NUMBER	HONDA CODE
			1	9	8	3					
	3 = VF1100C'83		1	1	1	1					
	4 = VF1100C'84		9	8	8	8					
	5 = VF1100C'85		8	8	8	8					
	6 = VF1100C'86		3	4	5	6					
1	FORK, R. GEARSHIFT		3				A		1	24211-MB4-000 1438035	
	FORK, R. GEARSHIFT		3				A		1	24211-MB4-830 2247682	
	FORK, R. GEARSHIFT			4	5	6			1	24211-MB4-830 2247682	
2	FORK, CENTER GEARSHIFT		3				A		1	24212-MB4-000 1438043	
	FORK, L. GEARSHIFT			4	5				1	24212-MB4-000 1438043	
3	FORK, L. GEARSHIFT		3				A		1	24213-MB4-000 1438050	
	FORK, L. GEARSHIFT			4	5				1	24213-MB4-000 1438050	
	FORK, L. GEARSHIFT		3				A		1	24213-MB4-830 2247690	
	FORK, L. GEARSHIFT			4	5	6			1	24213-MB4-830 2247690	
4	SHAFT COMP., GEARSHIFT FORK		3				A		1	24261-MB4-000 1387257	
	SHAFT COMP., GEARSHIFT FORK			4	5				1	24261-MB4-000 1387257	
	SHAFT COMP., GEARSHIFT FORK		3				A		1	24261-MB4-830 2250306	
	SHAFT COMP., GEARSHIFT FORK			4	5	6			1	24261-MB4-830 2250306	
5	DRUM ASSY., GEARSHIFT		3				A		1	24300-MB4-000 1387265	
	DRUM ASSY., GEARSHIFT			4					1	24300-MB4-000 1387265	
	DRUM ASSY., GEARSHIFT				5	6			1	24300-MB3-000 1742543	

Ref. No.	BLOCK NO. DESCRIPTION	E-15	VF1100C				AREA CODE	ENGINE SERIAL NUMBER	QTY REQ	PART NUMBER	HONDA CODE
			1	9	8	3					
	3 = VF1100C'83		1	1	1	1					
	4 = VF1100C'84		9	8	8	8					
	5 = VF1100C'85		8	8	8	8					
	6 = VF1100C'86		3	4	5	6					
6	DRUM, GEARSHIFT		3				A		1	24302-MB4-000 1387273	
	DRUM, GEARSHIFT			4					1	24302-MB4-000 1387273	
	DRUM, GEARSHIFT				5	6			1	24302-MB3-000 1742550	
7	PLATE, DRUM CAM		3				A		1	24305-MB0-003 1242908	
	PLATE, DRUM CAM			4					1	24305-MB0-003 1242908	
	PLATE, DRUM CAM				5	6			1	24305-MB6-000 1708304	
8	PLATE A, DRUM		3				A		1	24320-MB0-000 1242916	
	PLATE A, DRUM SETTING			4	5				1	24320-MB0-000 1242916	
	PLATE A, DRUM SETTING					6			1	24320-MB4-830 2250322	
9	PLATE B, DRUM SETTING		3				A		1	24321-MB0-000 1242924	
	PLATE B, DRUM SETTING			4	5				1	24321-MB0-000 1242924	
	PLATE B, DRUM SETTING					6			1	24321-MB4-830 2250330	
10	ARM COMP., NEUTRAL STOPPER		3				A		1	24420-MB0-000 1242932	
	ARM COMP., NEUTRAL STOPPER			4	5	6			1	24420-MB0-000 1242932	
11	ARM COMP., SHIFT DRUM STOPPER		3				A		1	24430-MB0-000 1242940	
	ARM COMP., SHIFT DRUM STOPPER			4	5	6			1	24430-MB0-000 1242940	
12	COLLAR, GEARSHIFT DRUM STOPPER		3				A		1	24432-413-000 0494336	
	COLLAR, GEARSHIFT DRUM STOPPER			4	5	6			1	24432-413-000 0494336	
13	SHAFT, SHIFT DRUM STOPPER PIVOT		3				A		1	24434-MB0-000 1242957	
	SHAFT, SHIFT DRUM STOPPER PIVOT			4	5	6			1	24434-MB0-000 1242957	
14	SPRING, SHIFT DRUM STOPPER		3				A		1	24435-MB0-000 1242965	
	SPRING, SHIFT DRUM STOPPER			4	5	6			1	24435-MB0-000 1242965	
15	SPRING, NEUTRAL STOPPER		3				A		1	24436-MB1-000 1245828	
	SPRING, NEUTRAL STOPPER			4	5	6			1	24436-MB1-000 1245828	
16	SPINDLE COMP., GEARSHIFT		3				A		1	24610-MB4-000 1387281	
	SPINDLE COMP., GEARSHIFT			4	5	6			1	24610-MB4-010 1716034	
	SPINDLE COMP., GEARSHIFT					6			1	24610-MB4-010 1716034	
17	SPRING, GEARSHIFT ARM		3				A		1	24641-MB0-000 1242999	
	SPRING, GEARSHIFT ARM			4	5	6			1	24641-MB0-010 1554047	
	SPRING, GEARSHIFT ARM					6			1	24641-MB0-010 1554047	
18	SPRING, GEARSHIFT RETURN		3				A		1	24651-MB1-000 1245836	
	SPRING, GEARSHIFT RETURN			4	5	6			1	24651-MB1-000 1245836	
19	PIN, SHIFT RETURN SPRING		3				A		1	24652-259-000 0039461	
	PIN, SHIFT RETURN SPRING			4	5	6			1	24652-259-000 0039461	
20	BOLT, SPECIAL, 7X18		3				A		1	90041-MB0-000 1243468	
	BOLT, SPECIAL, 7X18			4	5	6			1	90041-MB0-000 1243468	
21	WASHER, LOCK		3				A		1	90407-MB0-000 1243575	
	WASHER, LOCK			4	5	6			1	90407-MB0-000 1243575	

# CONTENTS

TITLE	PAGE	GRID
ALTERNATOR	28	1-C2
CAM CHAIN	15	1-B7
CAMSHAFT	12	1-B6
CARBURETOR (ASSY LINK)	64	1-D8
CARBURETOR (COMP. PARTS)	70	1-D11
CLUTCH	22	1-B11
COVER, RR.	30	1-C3
CRANKCASE COVER, R.	20	1-B10
CRANKSHAFT	42	1-C9
CROSS SHAFT	60	1-D6
CYLINDER BLOCK	38	1-C7
CYLINDER HEAD COVER	2	1-B1
CYLINDER, FR.	3	1-B1
CYLINDER, RR.	8	1-B4
GASKET KIT A	74	1-E1
GASKET KIT B	75	1-E1
GEARSHIFT DRUM	52	1-D2
OIL FILTER	34	1-C5
OIL PAN	34	1-C5
OIL PUMP	34	1-C5
PISTON	42	1-C9
PULSE ALTERNATOR	26	1-C1
STARTER CLUTCH	26	1-C1
STARTER MOTOR	32	1-C4
TENSIONER	15	1-B7
THERMOSTAT	56	1-D4
TRANSMISSION	48	1-C12
VALVE	12	1-B6
WATER PIPE	56	1-D4
WATER PUMP	30	1-C3

VF1100C'83 ENGINE NO.; SC12E-2000039 TO 2018597  
 VF1100C'83 FRAME NO.; SC120-DM000029 TO DMO17677  
 VF1100C'84 ENGINE NO.; SC12E-2100001 TO 2116075  
 VF1100C'84 FRAME NO.; SC120-EA100001 TO EA117064

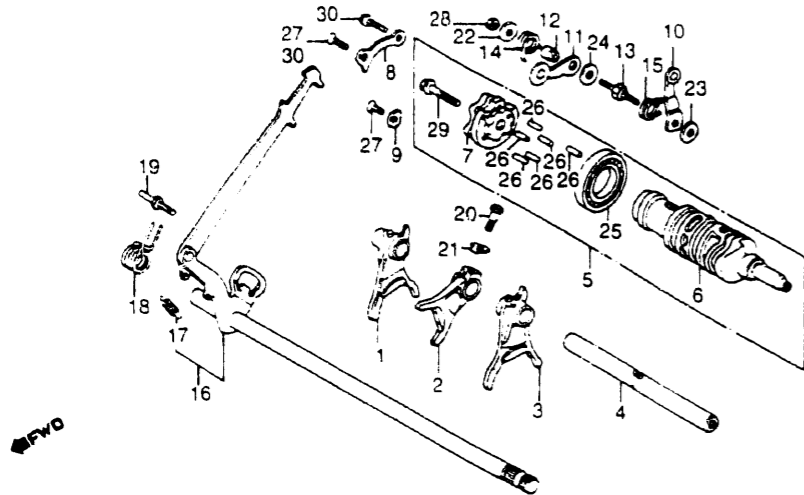
VF1100C'84 ENGINE NO.; SC12E-2102298 TO 2114635  
 VF1100C'84 FRAME NO.; SC121-EA100004 TO EA117067  
 VF1100C'85 ENGINE NO.; SC12E-2200001 TO 2208055  
 VF1100C'85 FRAME NO.; SC120-FA200006 TO FA208465

VF1100C'85 ENGINE NO.; SC12E-2200001 TO 2206580  
 VF1100C'85 FRAME NO.; SC121-FA200001 TO FA206845  
 VF1100C'86 ENGINE NO.; SC12E-2300020 TO 2304336  
 VF1100C'86 FRAME NO.; SC120-GM300101 TO GM304425

VF1100C'86 ENGINE NO.; SC12E-2300001 TO 2302532  
 VF1100C'86 FRAME NO.; SC121-GM301306 TO GM302625



# GEARSHIFT DRUM



E14MB4D15

Ref. No.	BLOCK NO. DESCRIPTION	VF1100C				AREA CODE	ENGINE SERIAL NUMBER		QTY REQ	PART NUMBER	HONDA CODE
		1	2	3	4		FROM	TO			
	3 = VF1100C'83 4 = VF1100C'84 5 = VF1100C'85 6 = VF1100C'86	1	1	1	1						
22	WASHER, SHIFT DRUM STOPPER	3	---	---	---	A	---	---	1	90487-MB0-000 1243666	
		---	4	5	6				1	90487-MB0-000 1243666	
23	WASHER, 6X2.3	3	---	---	---	A	---	---	1	90488-MB0-000 1243674	
		---	4	5	6				1	90488-MB0-000 1243674	
24	WASHER, SPECIAL, 6MM	3	---	---	---	A	---	---	1	90489-MB0-000 1266097	
		---	4	5	6				1	90489-MB0-000 1266097	
25	BEARING, BALL, 16005 (NTN)	3	---	---	---	A	---	---	1	91008-374-003 0362855	
		---	4	5	6				1	91008-374-003 0362855	
	BEARING, 16005	3	---	---	---	A	---	---	1	91051-719-003 1243823	
		---	4	5	6				1	91051-719-003 1243823	
26	ROLLER, 4X13.8	3	---	---	---	A	---	---	6	91101-MB0-003 1243831	
		---	4	5	6				6	91101-MB0-003 1243831	
27	SCREW, FLAT, 6X16	3	---	---	---	A	---	---	2	93600-06016-0A 0805358	
		---	4	5	---				2	93600-06016-0A 0805358	
		---	---	---	6				1	93600-06016-0A 0805358	
28	NUT, HEX., 6MM	3	---	---	---	A	---	---	1	94002-06000-0S 0181032	
		---	4	5	6				1	94002-06000-0S 0181032	
29	BOLT, FLANGE, 8X32	3	---	---	---	A	---	---	1	95800-08032-00 0768879	
		---	4	5	6				1	95800-08032-00 0768879	

Ref. No.	BLOCK NO. DESCRIPTION	VF1100C				AREA CODE	ENGINE SERIAL NUMBER		QTY REQ	PART NUMBER	HONDA CODE
		1	2	3	4		FROM	TO			
	3 = VF1100C'83 4 = VF1100C'84 5 = VF1100C'85 6 = VF1100C'86	1	1	1	1						
29	BOLT, FLANGE, 8X32	3	---	---	---	A	---	---	1	95801-08032-00 3699352	
		---	4	5	6				1	95801-08032-00 3699352	
30	BOLT, FLANGE, 6X16	3	---	---	---	A	---	---	1	96000-06016-00 1113687	
		---	4	5	---				1	96000-06016-00 1113687	
		---	---	---	6				2	96000-06016-00 1113687	
	BOLT, FLANGE, 6X16	3	---	---	---	A	---	---	1	96001-06016-00 2105955	
		---	4	5	---				1	96001-06016-00 2105955	
		---	---	---	6				2	96001-06016-00 2105955	

# CONTENTS

TITLE	PAGE	GRID
ALTERNATOR	28	1-C2
CAM CHAIN	15	1-B7
CAMSHAFT	12	1-B6
CARBURETOR (ASSY LINK)	64	1-D8
CARBURETOR (COMP. PARTS)	70	1-D11
CLUTCH	22	1-B11
COVER, RR.	30	1-C3
CRANKCASE COVER, R.	20	1-B10
CRANKSHAFT	42	1-C9
CROSS SHAFT	60	1-D6
CYLINDER BLOCK	38	1-C7
CYLINDER HEAD COVER	2	1-B1
CYLINDER, FR.	3	1-B1
CYLINDER, RR.	8	1-B4
GASKET KIT A	74	1-E1
GASKET KIT B	75	1-E1
GEARSHIFT DRUM	32	1-D2
OIL FILTER	34	1-C5
OIL PAN	34	1-C5
OIL PUMP	34	1-C5
PISTON	42	1-C9
PULSE ALTERNATOR	26	1-C1
STARTER CLUTCH	26	1-C1
STARTER MOTOR	32	1-C4
TENSIONER	15	1-B7
THERMOSTAT	56	1-D4
TRANSMISSION	48	1-C12
VALVE	12	1-B6
WATER PIPE	56	1-D4
WATER PUMP	30	1-C3

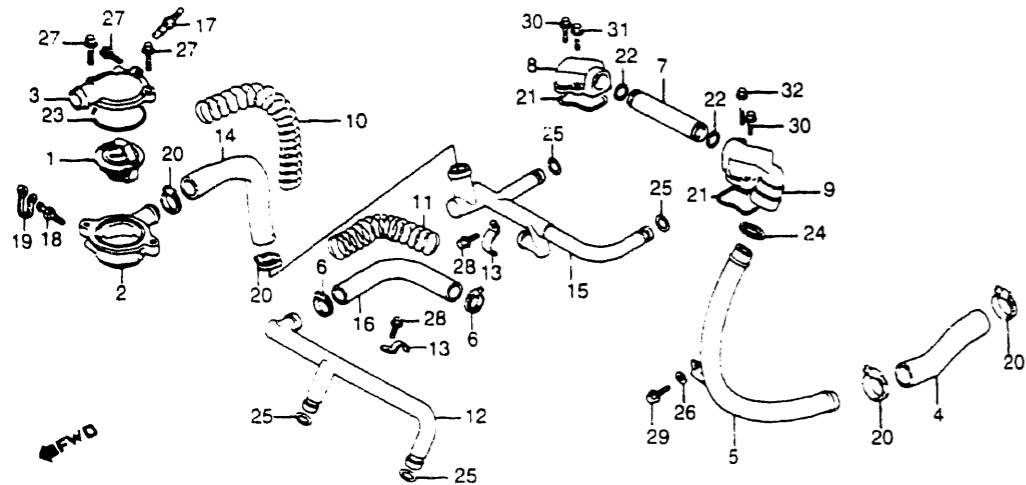
VF1100C'83 ENGINE NO.; SC12E-2000039 TO 2018597  
 VF1100C'83 FRAME NO.; SC120-DM000029 TO DM017677  
 VF1100C'84 ENGINE NO.; SC12E-2100001 TO 2116075  
 VF1100C'84 FRAME NO.; SC120-EA100001 TO EA117064

VF1100C'84 ENGINE NO.; SC12E-2102298 TO 2114635  
 VF1100C'84 FRAME NO.; SC121-EA100004 TO EA117067  
 VF1100C'85 ENGINE NO.; SC12E-2200001 TO 2208055  
 VF1100C'85 FRAME NO.; SC120-FA200006 TO FA208465

VF1100C'85 ENGINE NO.; SC12E-2200001 TO 2206580  
 VF1100C'85 FRAME NO.; SC121-FA200001 TO FA206845  
 VF1100C'86 ENGINE NO.; SC12E-2300020 TO 2304336  
 VF1100C'86 FRAME NO.; SC120-GM300101 TO GM304425

VF1100C'86 ENGINE NO.; SC12E-2300001 TO 2302532  
 VF1100C'86 FRAME NO.; SC121-GM301306 TO GM302625

# WATER PIPE • THERMOSTAT



E14MB4D16

Ref. No.	BLOCK NO. DESCRIPTION	VF1100C				AREA CODE	ENGINE SERIAL NUMBER		QTY REQ	PART NUMBER	HONDA CODE
		1	2	3	4		FROM	TO			
	3 = VF1100C'83 4 = VF1100C'84 5 = VF1100C'85 6 = VF1100C'86	1	1	1	1						
1	THERMOSTAT	3	---	---	---	A	---	---	1	19300-MB0-003 1242155	
2	CASE, THERMOSTAT	3	---	---	---	A	---	---	1	19311-MB1-000 1245646	
3	COVER, THERMOSTAT	3	---	---	---	A	---	---	1	19315-MB4-000 1386879	
4	HOSE, CONNECTING	3	---	---	---	A	---	---	1	19502-MB4-000 1386887	
5	PIPE, OUTLET CONNECTING	3	---	---	---	A	---	---	1	19504-MB4-000 1386895	
6	CLAMP, WATER HOSE	3	---	---	---	A	---	---	2	19506-KA4-000 1039635	
	CLAMP B, WATER HOSE	---	---	---	---		2203285	---	2	19506-KA4-000 1039635	
7	PIPE, CONNECTING	3	---	---	---	A	---	---	1	19507-MB4-000 1386903	
8	CAP A, CONNECTING	3	---	---	---	A	---	---	1	19508-MB0-000 1242213	

Ref. No.	BLOCK NO. DESCRIPTION	VF1100C				AREA CODE	ENGINE SERIAL NUMBER		QTY REQ	PART NUMBER	HONDA CODE
		1	2	3	4		FROM	TO			
	3 = VF1100C'83 4 = VF1100C'84 5 = VF1100C'85 6 = VF1100C'86	1	1	1	1						
9	CAP B, CONNECTING PIPE	3	---	---	---	A	---	---	1	19509-MB0-000 1242221	
10	WIRE A, GUARD	3	---	---	---	A	---	---	1	19511-MB1-000 1245661	
	CABLE A, GUARD	---	---	---	---		---	---	1	19511-MB4-680 1811124	
11	WIRE B, GUARD	3	---	---	---	A	---	---	1	19512-MB0-000 1242239	
	WIRE B, GUARD	---	---	---	---		2204168	---	1	19512-MB0-000 1242239	
	WIRE B, GUARD	---	---	---	---		2204169	---	1	19512-MB3-003 1742386	
12	PIPE A, WATER	3	---	---	---	A	---	---	1	19520-MB0-000 1242247	
13	CLAMP A, WATER PIPE	3	---	---	---	A	---	---	2	19524-MB0-000 1242254	
14	HOSE, WATER	3	---	---	---	A	---	---	1	19526-MB1-000 1245679	
	HOSE, WATER	---	---	---	---		---	---	1	19526-MB4-830 2250082	
15	PIPE B, WATER	3	---	---	---	A	---	---	1	19530-MB0-000 1242270	
16	HOSE B, WATER	3	---	---	---	A	---	---	1	19536-MB0-000 1242296	
17	SENDING UNIT, WATER TEMPERATURE (ND)	3	---	---	---	A	---	---	1	37750-PC1-004 1130780	
18	SCREW, BLEEDER	3	---	---	---	A	---	---	1	43352-568-003 0505735	
	SCREW, BLEEDER	---	---	---	---		2302902	---	1	43352-568-003 0505735	
	SCREW, BLEEDER	---	---	---	---		2302903	---	1	22866-MF2-711 2247666	
19	CAP, BLEEDER SCREW	3	---	---	---	A	---	---	1	43353-461-771 0954230	
20	CLAMP, WATER HOSE	3	---	---	---	A	---	---	4	50228-MB0-000 1243328	
	CLAMP A, WATER HOSE	---	---	---	---		2203285	---	4	50228-MB0-000 1243328	
21	GASKET, CONNECTING CAP	3	---	---	---	A	---	---	2	91301-MB0-000 1243880	
22	O-RING, 18.3X2.3 (ARAI)	3	---	---	---	A	---	---	2	91301-147-023 1005453	

# CONTENTS

TITLE	PAGE	GRID
ALTERNATOR	28	1-C2
CAM CHAIN	15	1-B7
CAM SHAFT	12	1-B6
CARBURETOR (ASSY. LINK)	64	1-DB
CARBURETOR (COMP. PARTS)	70	1-D11
CLUTCH	22	1-B11
COVER, RR	30	1-C3
CRANKCASE COVER, R	20	1-B10
CRANKSHAFT	42	1-C9
CROSS SHAFT	60	1-D6
CYLINDER BLOCK	38	1-C7
CYLINDER HEAD COVER	2	1-B1
CYLINDER, FR	3	1-B1
CYLINDER, RR	8	1-B4
GASKET KIT A	74	1-E1
GASKET KIT B	75	1-E1
GEARSHIFT DRUM	52	1-D2
OIL FILTER	34	1-C5
OIL PAN	34	1-C5
OIL PUMP	34	1-C5
PISTON	42	1-C9
PULSE ALTERNATOR	26	1-C1
STARTER CLUTCH	26	1-C1
STARTER MOTOR	32	1-C4
TENSIONER	15	1-B7
THERMOSTAT	56	1-D4
TRANSMISSION	48	1-C12
VALVE	12	1-B6
WATER PIPE	56	1-D4
WATER PUMP	30	1-C3

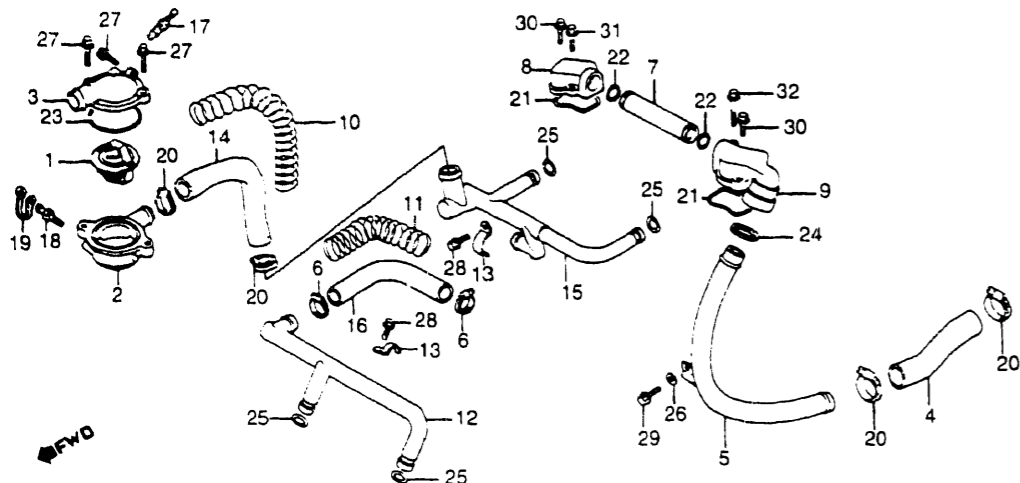
VF1100C'83 ENGINE NO.; SC12E-2000039 TO 2018597  
 VF1100C'83 FRAME NO.; SC120-DM000029 TO DM017677  
 VF1100C'84 ENGINE NO.; SC12E-2100001 TO 2116075  
 VF1100C'84 FRAME NO.; SC120-EA100001 TO EA117064

VF1100C'84 ENGINE NO.; SC12E-2102298 TO 2114635  
 VF1100C'84 FRAME NO.; SC121-EA100004 TO EA117067  
 VF1100C'85 ENGINE NO.; SC12E-2200001 TO 2208055  
 VF1100C'85 FRAME NO.; SC120-FA200006 TO FA208465

VF1100C'85 ENGINE NO.; SC12E-2200001 TO 2206580  
 VF1100C'85 FRAME NO.; SC121-FA200001 TO FA206845  
 VF1100C'86 ENGINE NO.; SC12E-2300020 TO 2304336  
 VF1100C'86 FRAME NO.; SC120-GM300101 TO GM304425

VF1100C'86 ENGINE NO.; SC12E-2300001 TO 2302532  
 VF1100C'86 FRAME NO.; SC121-GM301306 TO GM302625

# WATER PIPE • THERMOSTAT



E14MB4D16

Ref. No.	BLOCK NO. DESCRIPTION	VF1100C				AREA	ENGINE SERIAL NUMBER		QTY REQ	PART NUMBER	HONDA CODE
		1	1	1	1		FROM	TO			
	3 = VF1100C'83 4 = VF1100C'84 5 = VF1100C'85 6 = VF1100C'86	1	1	1	1						
23	O-RING, 58X2	3	---	---	---	A	---	---	1	91307-MB0-003 1260827	
24	SEAL, WATER PIPE	3	---	---	---	A	---	---	1	91315-MB0-013 1435239	
25	O-RING, 13X2.5	3	---	---	---	A	---	---	4	91335-567-000 0422428	
26	WASHER, PLAIN, 6MM	3	---	---	---	A	---	---	1	94101-06000 0059071	
	WASHER, PLAIN, 6MM	3	---	---	---	A	---	---	1	94101-06080 3136074	
	WASHER, PLAIN, 6MM	3	---	---	---	A	---	---	1	94101-06800 0345900	
27	BOLT, FLANGE, 6X20	3	---	---	---	A	---	---	3	95700-06020-00 0488684	
	BOLT, FLANGE, 6X20	3	---	---	---	A	---	---	3	95701-06020-00 2105815	
28	BOLT, FLANGE, 6X14	3	---	---	---	A	---	---	2	96000-06014-07 1390293	

Ref. No.	BLOCK NO. DESCRIPTION	VF1100C				AREA	ENGINE SERIAL NUMBER		QTY REQ	PART NUMBER	HONDA CODE
		3	4	5	6		FROM	TO			
	3 = VF1100C'83 4 = VF1100C'84 5 = VF1100C'85 6 = VF1100C'86	1	1	1	1						
28	BOLT, FLANGE, 6X14	3	---	---	---	A	---	---	2	96001-06014-07 2532729	
29	BOLT, FLANGE, 6X16	3	---	---	---	A	---	---	1	96000-06016-00 1113687	
	BOLT, FLANGE, 6X16	3	---	---	---	A	---	---	1	96001-06016-00 2105955	
30	BOLT, FLANGE, 6X22	3	---	---	---	A	---	---	2	96000-06022-07 1292234	
	BOLT, FLANGE, 6X22	3	---	---	---	A	---	---	2	96001-06022-07 2105971	
31	BOLT, FLANGE, 6X25	3	---	---	---	A	---	---	1	96000-06025-07 1251941	
	BOLT, FLANGE, 6X25	3	---	---	---	A	---	---	1	96001-06025-07 2105997	
32	BOLT, FLANGE, 6X35	3	---	---	---	A	---	---	1	96000-06035-07 0807362	
	BOLT, FLANGE, 6X35	3	---	---	---	A	---	---	1	96001-06035-07 2533891	

TITLE	PAGE	GRID
ALTERNATOR	28	1-C2
CAM CHAIN	15	1-B7
CAMSHAFT	12	1-B6
CARBURETOR (ASSY. LINK)	64	1-D8
CARBURETOR (COMP. PARTS)	70	1-D11
CLUTCH	22	1-B11
COVER, RR.	30	1-C3
CRANKCASE COVER, R.	20	1-B10
CRANKSHAFT	42	1-C9
CROSS SHAFT	60	1-D6
CYLINDER BLOCK	38	1-C7
CYLINDER HEAD COVER	2	1-B1
CYLINDER, FR.	3	1-B1
CYLINDER, RR.	8	1-B4
GASKET KIT A	74	1-E1
GASKET KIT B	75	1-E1
GEARSHIFT DRUM	52	1-D2
OIL FILTER	34	1-C5
OIL PAN	34	1-C5
OIL PUMP	34	1-C5
PISTON	42	1-C9
PULSE ALTERNATOR	26	1-C1
STARTER CLUTCH	26	1-C1
STARTER MOTOR	32	1-C4
TENSIONER	15	1-B7
THERMOSTAT	56	1-D4
TRANSMISSION	48	1-C12
VALVE	12	1-B6
WATER PIPE	56	1-D4
WATER PUMP	30	1-C3

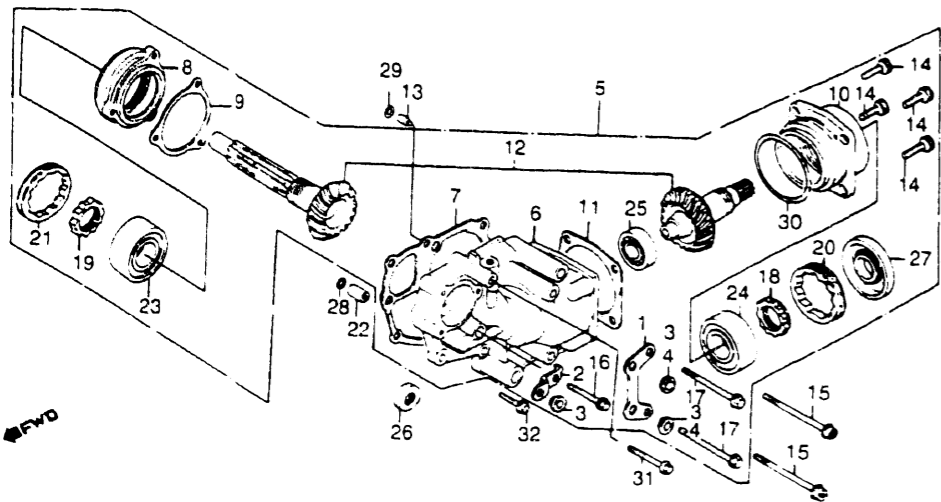
GRID	TITLE	PAGE	GRID
	ALTERNATOR	28	1-C2
	CAM CHAIN	15	1-B7
	CAMSHAFT	12	1-B6
	CARBURETOR (ASSY. LINK)	64	1-D8
	CARBURETOR (COMP. PARTS)	70	1-D11
	CLUTCH	22	1-B11
	COVER, RR.	30	1-C3
	CRANKCASE COVER, R.	20	1-B10
	CRANKSHAFT	42	1-C9
	CROSS SHAFT	60	1-D6
	CYLINDER BLOCK	38	1-C7
	CYLINDER HEAD COVER	2	1-B1
	CYLINDER, FR.	3	1-B1
	CYLINDER, RR.	8	1-B4
	GASKET KIT A	74	1-E1
	GASKET KIT B	75	1-E1
	GEARSHIFT DRUM	52	1-D2
	OIL FILTER	34	1-C5
	OIL PAN	34	1-C5
	OIL PUMP	34	1-C5
	PISTON	42	1-C9
	PULSE ALTERNATOR	26	1-C1
	STARTER CLUTCH	26	1-C1
	STARTER MOTOR	32	1-C4
	TENSIONER	15	1-B7
	THERMOSTAT	56	1-D4
	TRANSMISSION	48	1-C12
	VALVE	12	1-B6
	WATER PIPE	56	1-D4
	WATER PUMP	30	1-C3

VF1100C'83 ENGINE NO.; SC12E-2000039 TO 2018597  
 VF1100C'83 FRAME NO.; SC120-DM000029 TO DM017677  
 VF1100C'84 ENGINE NO.; SC12E-2100001 TO 2116075  
 VF1100C'84 FRAME NO.; SC120-EA100001 TO EA117064

VF1100C'84 ENGINE NO.; SC12E-2102298 TO 2114635  
 VF1100C'84 FRAME NO.; SC121-EA100004 TO EA117067  
 VF1100C'85 ENGINE NO.; SC12E-2200001 TO 2208055  
 VF1100C'85 FRAME NO.; SC120-FA200006 TO FA208465

VF1100C'85 ENGINE NO.; SC12E-2200001 TO 2206580  
 VF1100C'85 FRAME NO.; SC121-FA200001 TO FA206845  
 VF1100C'86 ENGINE NO.; SC12E-2300020 TO 2304336  
 VF1100C'86 FRAME NO.; SC120-GM300101 TO GM304425

# CROSS SHAFT



E14MB4D17

Ref. No.	BLOCK NO. DESCRIPTION	E-17	VF1100C				AREA	ENGINE SERIAL NUMBER		QTY	PART NUMBER	HONDA CODE
			1	1	1	1		FROM	TO			
	3 = VF1100C'83 4 = VF1100C'84 5 = VF1100C'85 6 = VF1100C'86		1	1	1	1						
			9	9	9	9						
			8	8	8	8						
			3	4	5	6						
1	COVER, CLUTCH STAY, RR. COVER (A)		3				A			1	11342-MB4-000 1386044	
				4	5	6				1	11342-MB4-770 1546142	
2	STAY, RR. COVER (B)		3				A			1	11343-MB4-000 1386051	
				4	5	6				1	11343-MB4-000 1386051	
3	GROMMET B, RR. COVER		3				A			3	11345-MB0-000 1240852	
				4	5	6				1	11345-MB0-000 1240852	
4	GROMMET, RR. COVER (A)			4	5	6				2	11346-MB4-770 1546159	
5	CASE ASSY., SIDE GEAR		3				A			1	21100-MB4-000 1386929	
										1	21100-MB4-770 1542323	
				4						1	21100-MB4-770 1542323	
					5					1	21100-MB4-680 1811132	
					6					1	21100-MB4-830 2250090	
6	CASE COMP., SIDE GEAR		3				A			1	21200-MB4-000 1386937	
				4	5	6				1	21200-MB4-000 1386937	
7	GASKET, SIDE GEAR		3				A			1	21291-MB0-306 4510665	
				4	5	6				1	21291-MB0-306 4510665	
										1	21291-MB0-770 1290758	
				4	5	6				1	21291-MB0-770 1290758	

Ref. No.	BLOCK NO. DESCRIPTION	E-17	VF1100C				AREA	ENGINE SERIAL NUMBER		QTY	PART NUMBER	HONDA CODE
			1	1	1	1		FROM	TO			
	3 = VF1100C'83 4 = VF1100C'84 5 = VF1100C'85 6 = VF1100C'86		1	1	1	1						
			9	9	9	9						
			8	8	8	8						
			3	4	5	6						
8	HOLDER, COUNTERSHAFT BEARING		3				A			1	21301-MB4-000 1386945	
				4						1	21301-MB4-000 1386945	
					5	6				1	21301-MB3-000 1742444	
9	SHIM, COUNTERSHAFT (0.3)		3				A		AR	21319-MB4-000 1426113		
									AR	21320-MB4-000 1431436		
									AR	21321-MB4-000 1386952		
				4	5	6			AR	21321-MB4-000 1386952		
									AR	21322-MB4-000 1386960		
				4	5	6			AR	21322-MB4-000 1386960		
									AR	21323-MB4-000 1386978		
				4	5	6			AR	21323-MB4-000 1386978		
									AR	21324-MB4-000 1386986		
				4	5	6			AR	21324-MB4-000 1386986		
									AR	21325-MB4-000 1386994		
				4	5	6			AR	21325-MB4-000 1386994		
10	HOLDER, CROSS SHAFT BEARING		3				A			1	21371-MB0-000 1242510	
				4	5	6				1	21371-MB0-000 1242510	
11	SHIM, CROSS SHAFT (0.40)		3				A		AR	21381-MB0-770 1290907		
				4	5	6			AR	21381-MB0-770 1290907		
									AR	21382-MB0-770 1290931		
				4	5	6			AR	21382-MB0-770 1290931		
									AR	21383-MB0-770 1290949		
				4	5	6			AR	21383-MB0-770 1290949		
									AR	21384-MB0-770 1290956		
				4	5	6			AR	21384-MB0-770 1290956		
									AR	21385-MB0-770 1290980		
				4	5	6			AR	21385-MB0-770 1290980		
12	SHAFT SET, CROSS		3				A			1	23200-MB4-000 1387109	
										1	23200-MB4-770 1542331	
				4						1	23200-MB4-770 1542331	
					5					1	23200-MB3-000 1742527	
					6					1	23200-MB4-830 2250140	
13	DRIFICE, OIL CONTROL		3				A			1	90049-MB0-000 1243484	
				4	5	6				1	90049-MB0-000 1243484	
14	BOLT, SOCKET, 8X22		3				A			4	90061-MB0-000 1243500	
				4	5					4	90061-MB0-000 1243500	
										4	96700-08022-17 2030625	

# CONTENTS

TITLE	PAGE	GRID
ALTERNATOR	28	1-C2
CAM CHAIN	15	1-B7
CAMSHAFT	12	1-B6
CARBURETOR (ASSY. LINK)	64	1-D8
CARBURETOR (COMP. PARTS)	70	1-D11
CLUTCH	22	1-B11
COVER, RR.	30	1-C3
CRANKCASE COVER, R.	20	1-B10
CRANKSHAFT	42	1-C9
CROSS SHAFT	60	1-D6
CYLINDER BLOCK	38	1-C7
CYLINDER HEAD COVER	2	1-B1
CYLINDER, FR.	3	1-B1
CYLINDER, RR.	8	1-B4
GASKET KIT A	74	1-E1
GASKET KIT B	75	1-E1
GEARSHIFT DRUM	52	1-D2
OIL FILTER	34	1-C5
OIL PAN	34	1-C5
OIL PUMP	34	1-C5
PISTON	42	1-C9
PULSE ALTERNATOR	26	1-C1
STARTER CLUTCH	26	1-C1
STARTER MOTOR	32	1-C4
TENSIONER	15	1-B7
THERMOSTAT	56	1-D4
TRANSMISSION	48	1-C12
VALVE	12	1-B6
WATER PIPE	56	1-D4
WATER PUMP	30	1-C3

VF1100C'83 ENGINE NO.; SC12E-2000039 TO 2018597  
 VF1100C'83 FRAME NO.; SC120-DM000029 TO DM017677  
 VF1100C'84 ENGINE NO.; SC12E-2100001 TO 2116075  
 VF1100C'84 FRAME NO.; SC120-EA100001 TO EA117064

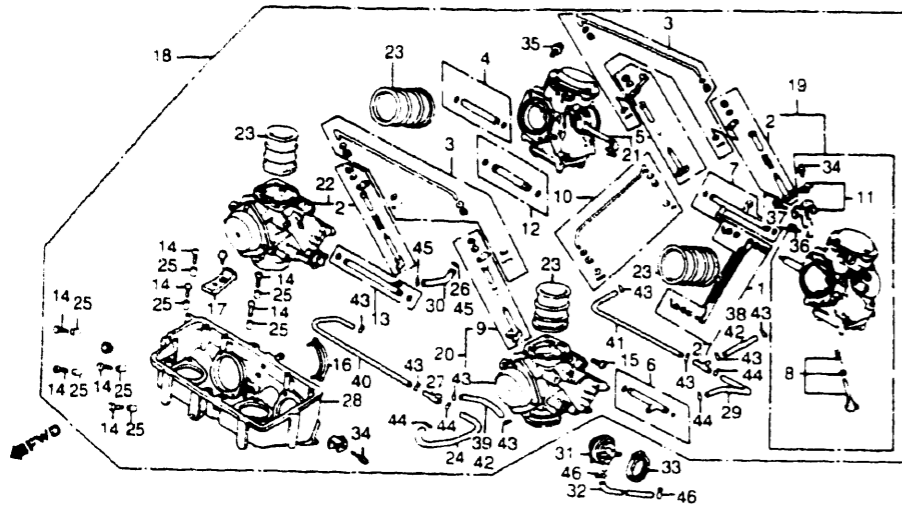
VF1100C'84 ENGINE NO.; SC12E-2102298 TO 2114635  
 VF1100C'84 FRAME NO.; SC121-EA100004 TO EA117067  
 VF1100C'85 ENGINE NO.; SC12E-2200001 TO 2208055  
 VF1100C'85 FRAME NO.; SC120-FA200006 TO FA208465

VF1100C'85 ENGINE NO.; SC12E-2200001 TO 2206580  
 VF1100C'85 FRAME NO.; SC121-FA200001 TO FA206845  
 VF1100C'86 ENGINE NO.; SC12E-2300020 TO 2304336  
 VF1100C'86 FRAME NO.; SC120-GM300101 TO GM304425

VF1100C'86 ENGINE NO.; SC12E-2300001 TO 2302532  
 VF1100C'86 FRAME NO.; SC121-GM301306 TO GM302625



# CARBURETOR (ASSY. LINK)



E14MB4D18

Ref. No.	BLOCK NO. DESCRIPTION	E-18	VF1100C				AREA CODE	ENGINE SERIAL NUMBER		QTY REQ	PART NUMBER	HONDA CODE
			1	1	1	1		FROM	TO			
			1	1	1	1						
			9	9	9	9						
			8	8	8	8						
			3	4	5	6						
1	LEVER SET A, LINK		3				A			1	16017-MB4-671 1390301	
2	LINK SET A, STARTER		3				A			2	16018-MB0-671 1241793	
	LINK SET A, STARTER		3				A			2	16018-MK3-771 2536555	
3	ROD SET A, STARTER LINK		3				A			2	16019-MB4-671 1390319	
4	JOINT SET C, FUEL		3				A			1	16022-MB1-771 1313964	
5	LINK SET B, STARTER		3				A			1	16025-MB4-671 1390327	
6	JOINT SET A, FUEL		3				A			1	16026-MB0-671 1241827	
7	JOINT SET E, FUEL			4	5	6				1	16027-MB4-621 1426048	
8	SCREW SET (B)		3				A			1	16028-KR3-671 2039949	
	SCREW SET (B)		3				A			1	16028-MB0-671 1241835	

Ref. No.	BLOCK NO. DESCRIPTION	E-18	VF1100C				AREA CODE	ENGINE SERIAL NUMBER		QTY REQ	PART NUMBER	HONDA CODE
			1	1	1	1		FROM	TO			
			1	1	1	1						
			9	9	9	9						
			8	8	8	8						
			3	4	5	6						
9	LINK SET C, STARTER		3				A			1	16031-MB0-671 1241850	
10	ROD SET B, STARTER LINK		3				A			1	16032-MB4-671 1390343	
11	PLATE SET, STAY		3				A			1	16035-MB4-671 1390350	
12	JOINT SET D, FUEL		3				A			1	16042-MB1-771 1313972	
13	JOINT SET B, FUEL		3				A			1	16047-MB0-671 1241900	
	JOINT SET B, FUEL		3				A			1	16047-MB0-771 1384965	
14	SCREW, PAN		3				A			8	16080-MB0-671 1241959	
15	SCREW, PAN			5			A	VD70C D		2	16080-KE7-003 2249407	
				5			AC	VD76A D		2	16080-KE7-003 2249407	
					6					2	16080-KE7-003 2249407	
16	WASHER, TONGUED				6					4	16090-MB6-681 2249415	
17	PLATE, SETTING		3				A			1	16094-MB0-671 1241967	
	PLATE, SETTING				6		AC			1	16094-MB6-671 2249423	
18	CARBURETOR ASSY.		3				A			1	16100-MB4-671 1386424	
	CARBURETOR ASSY.			4			A			1	16100-MB4-771 1546183	
	CARBURETOR ASSY.			5			A	2204865		1	16100-MB4-771 1546183	
	CARBURETOR ASSY.			4			A			1	16100-MB4-881 1563238	
	CARBURETOR ASSY.			5			AC	2204321		1	16100-MB4-881 1563238	
	CARBURETOR ASSY.			5			A	2204866		1	16100-MB4-772 1814409	
	CARBURETOR ASSY.			5			A	2204866		1	16100-MB4-773 2247047	
	CARBURETOR ASSY.			6			A	2300019		1	16100-MB4-773 2247047	
	CARBURETOR ASSY.			5			A	2204866		1	16100-MB4-774 2295921	
	CARBURETOR ASSY.			6			A	2300019		1	16100-MB4-774 2295921	
	CARBURETOR ASSY.			6			A			1	16100-MB4-774 2295921	
	CARBURETOR ASSY.			5			AC	2204322		1	16100-MB4-882 1814417	
	CARBURETOR ASSY.			6			AC	2301189		1	16100-MB4-851 2249449	
	CARBURETOR ASSY.			6			AC	2301190		1	16100-MB4-852 2480879	
19	CARBURETOR ASSY. 1		3				A			1	16101-MB4-671 1390335	
	CARBURETOR ASSY. 1			4			A			1	16101-MB4-772 1814433	
				5			A	VD70C C		1	16101-MB4-772 1814433	

# CONTENTS

TITLE	PAGE	GRID
ALTERNATOR	28	1-C2
CAM CHAIN	15	1-B7
CAMSHAFT	12	1-B6
CARBURETOR (ASSY LINK)	64	1-D8
CARBURETOR (COMP PARTS)	70	1-D11
CLUTCH	22	1-B11
COVER, RR	30	1-C3
CRANKCASE COVER R.	20	1-B10
CRANKSHAFT	42	1-C9
CROSS SHAFT	60	1-D6
CYLINDER BLOCK	38	1-C7
CYLINDER HEAD COVER	2	1-B1
CYLINDER, FR	3	1-B1
CYLINDER, RR	8	1-B4
GASKET KIT A	74	1-E1
GASKET KIT B	75	1-E1
GEARSHIFT DRUM	52	1-D2
OIL FILTER	34	1-C5
OIL PAN	34	1-C5
OIL PUMP	34	1-C5
PISTON	42	1-C9
PULSE ALTERNATOR	26	1-C1
STARTER CLUTCH	26	1-C1
STARTER MOTOR	32	1-C4
TENSIONER	15	1-B7
THERMOSTAT	56	1-D4
TRANSMISSION	48	1-C12
VALVE	12	1-B6
WATER PIPE	56	1-D4
WATER PUMP	30	1-C3

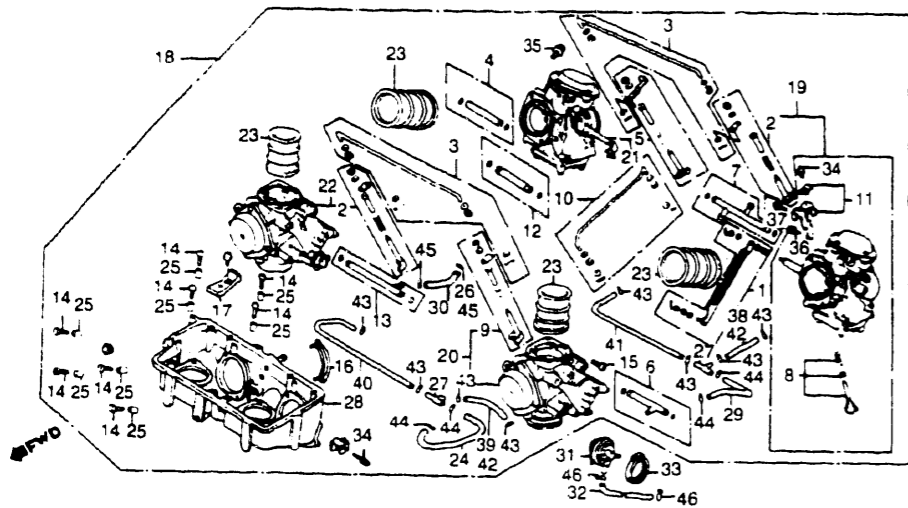
VF1100C'83 ENGINE NO.; SC12E-2000039 TO 2018597  
 VF1100C'83 FRAME NO.; SC120-DM000029 TO DM017677  
 VF1100C'84 ENGINE NO.; SC12E-2100001 TO 2116075  
 VF1100C'84 FRAME NO.; SC120-EA100001 TO EA117064

VF1100C'84 ENGINE NO.; SC12E-2102298 TO 2114635  
 VF1100C'84 FRAME NO.; SC121-EA100004 TO EA117067  
 VF1100C'85 ENGINE NO.; SC12E-2200001 TO 2208055  
 VF1100C'85 FRAME NO.; SC120-FA200006 TO FA208465

VF1100C'85 ENGINE NO.; SC12E-2200001 TO 2206580  
 VF1100C'85 FRAME NO.; SC121-FA200001 TO FA206845  
 VF1100C'86 ENGINE NO.; SC12E-2300020 TO 2304336  
 VF1100C'86 FRAME NO.; SC120-GM300101 TO GM304425

VF1100C'86 ENGINE NO.; SC12E-2300001 TO 2302532  
 VF1100C'86 FRAME NO.; SC121-GM301306 TO GM302625

# CARBURETOR (ASSY. LINK)



E14MB4D18

Ref. No.	BLOCK NO. DESCRIPTION	E-18	VF1100C				AREA CODE	ENGINE SERIAL NUMBER		QTY REQ	PART NUMBER	HONDA CODE
			1	9	8	3		FROM	TO			
	3 = VF1100C'83		1	1	1	1						
	4 = VF1100C'84		9	9	9	9						
	5 = VF1100C'85		8	8	8	8						
	6 = VF1100C'86		3	4	5	6						
19	CARBURETOR ASSY. 1		4				AC			1	16101-MB4-882	1814441
				5			AC		VD76A C	1	16101-MB4-882	1814441
	CARBURETOR ASSY. 1		4				AC			1	16101-MB4-883	2050987
				5			AC		VD76A C	1	16101-MB4-883	2050987
				5			AC		VD76A D	1	16101-MB4-883	2050987
	CARBURETOR ASSY. 1			5			A		VD70C D	1	16101-MB4-773	2399962
	CARBURETOR ASSY. 1			6			A		VD70C E	1	16101-MB4-774	2249464
	CARBURETOR ASSY. 1			6			A		VD70C F	1	16101-MB4-775	2480887
	CARBURETOR ASSY. 1			6			AC			1	16101-MB4-851	2260305
20	CARBURETOR ASSY. 2		3				A			1	16102-MB4-671	1390368
	CARBURETOR ASSY. 2			4			A			1	16102-MB4-772	1814458
					5		A		VD70C C	1	16102-MB4-772	1814458
	CARBURETOR ASSY. 2			4			AC			1	16102-MB4-882	1814466
					5		AC		VD76A C	1	16102-MB4-882	1814466
	CARBURETOR ASSY. 2			4			AC			1	16102-MB4-883	2399988
					5		AC		VD76A C	1	16102-MB4-883	2399988
					5		AC		VD76A D	1	16102-MB4-883	2399988
	CARBURETOR ASSY. 2				5		A		VD70C D	1	16102-MB4-773	2399970

Ref. No.	BLOCK NO. DESCRIPTION	E-18	VF1100C				AREA CODE	ENGINE SERIAL NUMBER		QTY REQ	PART NUMBER	HONDA CODE
			1	9	8	3		FROM	TO			
	3 = VF1100C'83		1	1	1	1						
	4 = VF1100C'84		9	9	9	9						
	5 = VF1100C'85		8	8	8	8						
	6 = VF1100C'86		3	4	5	6						
20	CARBURETOR ASSY. 2					6	A		VD70C E	1	16102-MB4-774	2249472
	CARBURETOR ASSY. 2					6	A		VD70C F	1	16102-MB4-775	2480895
	CARBURETOR ASSY. 2					6	AC			1	16102-MB4-851	2260321
21	CARBURETOR ASSY. 3		3				A			1	16103-MB4-671	1390384
	CARBURETOR ASSY. 3			4			A			1	16103-MB4-772	1814474
					5		A		VD70C C	1	16103-MB4-772	1814474
	CARBURETOR ASSY. 3			4			A			1	16103-MB4-773	2399996
					5		A		VD70C C	1	16103-MB4-773	2399996
					5		A		VD70C D	1	16103-MB4-773	2399996
	CARBURETOR ASSY. 3			4			AC			1	16103-MB4-882	1814482
					5		AC		VD76A C	1	16103-MB4-882	1814482
	CARBURETOR ASSY. 3			4			AC			1	16103-MB4-883	2172468
					5		AC		VD76A C	1	16103-MB4-883	2172468
					5		AC		VD76A D	1	16103-MB4-883	2172468
	CARBURETOR ASSY. 3				6		A		VD70C E	1	16103-MB4-774	2249480
	CARBURETOR ASSY. 3				6		A		VD70C F	1	16103-MB4-775	2480903
	CARBURETOR ASSY. 3				6		AC			1	16103-MB4-851	2260347
22	CARBURETOR ASSY. 4		3				A			1	16104-MB4-671	1390418
	CARBURETOR ASSY. 4			4			A			1	16104-MB4-772	1814490
					5		A		VD70C C	1	16104-MB4-772	1814490
	CARBURETOR ASSY. 4			4			AC			1	16104-MB4-882	1814508
					5		AC		VD76A C	1	16104-MB4-882	1814508
	CARBURETOR ASSY. 4			4			AC			1	16104-MB4-883	2273076
					5		AC		VD76A C	1	16104-MB4-883	2273076
					5		AC		VD76A D	1	16104-MB4-883	2273076
	CARBURETOR ASSY. 4				5		A		VD70C D	1	16104-MB4-773	2400000
	CARBURETOR ASSY. 4				6		A		VD70C E	1	16104-MB4-774	2249498
	CARBURETOR ASSY. 4				6		A		VD70C F	1	16104-MB4-775	2480911
	CARBURETOR ASSY. 4				6		AC			1	16104-MB4-851	2260354
23	FUNNEL, AIR		3				A			4	16141-MB4-671	1390392
				4	5	6				4	16141-MB4-671	1390392
24	TUBE, FUEL			4	5		AC			1	16144-MB4-881	1707850
	TUBE, FUEL				6		AC			1	16144-MB4-851	2260370
25	PIN, KNOCK		3				A			8	16178-MB0-671	1244177
				4	5	6				8	16178-MB0-671	1244177
26	CLIP, TUBE				6		AC			1	16179-MB6-671	2076545

# CONTENTS

TITLE	PAGE	GRID
ALTERNATOR	28	1-C2
CAM CHAIN	15	1-B7
CAMSHAFT	12	1-B6
CARBURETOR (ASSY. LINK)	64	1-D8
CARBURETOR (COMP. PARTS)	70	1-D11
CLUTCH	22	1-B11
COVER, RR.	30	1-C3
CRANKCASE COVER, R.	20	1-B10
CRANKSHAFT	42	1-C9
CROSS SHAFT	60	1-D6
CYLINDER BLOCK	38	1-C7
CYLINDER HEAD COVER	2	1-B1
CYLINDER, FR.	3	1-B1
CYLINDER, RR.	8	1-B4
GASKET KIT A	74	1-E1
GASKET KIT B	75	1-E1
GEARSHIFT DRUM	52	1-D2
OIL FILTER	34	1-C5
OIL PAN	34	1-C5
OIL PUMP	34	1-C5
PISTON	42	1-C9
PULSE ALTERNATOR	26	1-C1
STARTER CLUTCH	26	1-C1
STARTER MOTOR	32	1-C4
TENSIONER	15	1-B7
THERMOSTAT	56	1-D4
TRANSMISSION	48	1-C12
VALVE	12	1-B6
WATER PIPE	56	1-D4
WATER PUMP	30	1-C3

VF1100C'83 ENGINE NO.; SC12E-2000039 TO 2018597  
 VF1100C'83 FRAME NO.; SC120-DM000029 TO DM017677  
 VF1100C'84 ENGINE NO.; SC12E-2100001 TO 2116075  
 VF1100C'84 FRAME NO.; SC120-EA100001 TO EA117064

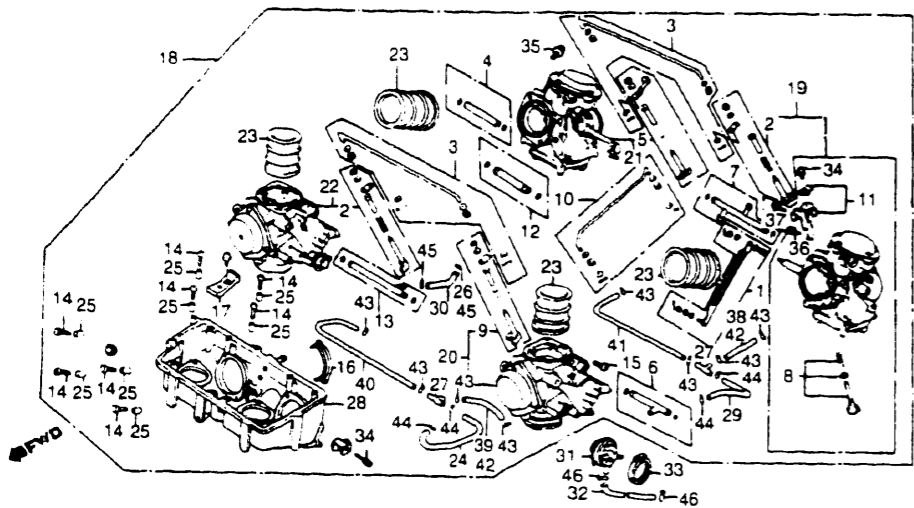
VF1100C'84 ENGINE NO.; SC12E-2102298 TO 2114635  
 VF1100C'84 FRAME NO.; SC121-EA100004 TO EA117067  
 VF1100C'85 ENGINE NO.; SC12E-2200001 TO 2208055  
 VF1100C'85 FRAME NO.; SC120-FA200006 TO FA208465

VF1100C'85 ENGINE NO.; SC12E-2200001 TO 2206580  
 VF1100C'85 FRAME NO.; SC121-FA200001 TO FA206845  
 VF1100C'86 ENGINE NO.; SC12E-2300020 TO 2304336  
 VF1100C'86 FRAME NO.; SC120-GM300101 TO GM304425

VF1100C'86 ENGINE NO.; SC12E-2300001 TO 2302532  
 VF1100C'86 FRAME NO.; SC121-GM301306 TO GM302625



# CARBURETOR (ASSY. LINK)



E14MB4D18

Ref. No.	BLOCK NO. DESCRIPTION	E-18	VF1100C				AREA CODE	ENGINE SERIAL NUMBER	QTY REQ	PART NUMBER	HONDA CODE
			1	1	1	1					
3 = VF1100C'83			1	1	1	1					
4 = VF1100C'84			9	9	9	9					
5 = VF1100C'85			8	8	8	8					
6 = VF1100C'86			3	4	5	6					
27	T-JOINT		4	5	6	AC		2	16180-MB2-881	1707868	
28	BASE, AIR CLEANER		3			A		1	16188-MB4-671	1390400	
	BASE, AIR CLEANER		4			A		1	16188-MB4-621	1426089	
			5			A	VD70C C	1	16188-MB4-621	1426089	
	BASE, AIR CLEANER		4			AC		1	16188-MB4-881	1707876	
			5			AC	VD76A C	1	16188-MB4-881	1707876	
	BASE, AIR CLEANER		5			A	VD70C D	1	16188-MB4-622	2249506	
			6			A		1	16188-MB4-622	2249506	
	BASE, AIR CLEANER		5			AC	VD76A D	1	16188-MB4-882	2249514	
			6			AC		1	16188-MB4-882	2249514	
29	TUBE		4	5	6	AC		1	16199-MB1-881	1707884	
	TUBE, FUEL				6	AC		1	16199-MB4-851	2260412	
30	TUBE, AIR VENT		4	5				1	16199-MB4-621	1426097	
					6	A		1	16199-MB4-621	1426097	
	TUBE				6	AC		1	16198-MB4-851	2260404	
31	VALVE COMP., PURGE CONTROL		4	5		AC		1	17440-MB4-880	1546282	
	VALVE COMP., PURGE CONTROL				6	AC		1	17440-MJ4-770	2068674	

Ref. No.	BLOCK NO. DESCRIPTION	E-18	VF1100C				AREA CODE	ENGINE SERIAL NUMBER	QTY REQ	PART NUMBER	HONDA CODE
			1	1	1	1					
32	TUBE, VACUUM					6	AC		1	17448-MB4-850	2249688
33	RUBBER, PURGE CONTROL VALVE SETTING			4	5		AC		1	17451-ME5-760	1557156
34	SCREW-WASHER, 4X10		3	4	5	6	A		1	93892-04010-00	0962985
				4	5	6	AC		2	93892-04010-00	0962985
35	SCREW-WASHER, 4X12					6	AC		1	93892-04012-08	0485953
36	SCREW-WASHER, 4X12		3				A		1	93892-04014-00	0692046
				4	5	6			1	93892-04014-00	0692046
37	SCREW-WASHER, 5X12		3				A		1	93892-05012-00	0691808
				4	5	6			1	93892-05012-00	0691808
38	TUBE, 3.5X70 (BULK HOSE: 95001-35003-40M)			4	5		AC		1	95001-35070-40	0451807
39	TUBE, 3.5X80 (BULK HOSE: 95001-35003-40M)			4	5		AC		1	95001-35080-40	0692087
40	TUBE, 3.5X180 (BULK HOSE: 95001-35003-40M)			4	5		AC		1	95001-35180-40	0335109
	TUBE, 4.5X185 (BULK HOSE: 95001-45008-40M)					6	AC		1	95001-45185-40	0288209
41	TUBE, 3.5X220 (BULK HOSE: 95001-35003-40M)			4	5		AC		1	95001-35220-40	1716158
	TUBE, 4.5X185 (BULK HOSE: 95001-45008-40M)					6	AC		1	95001-45185-40	0288209
42	TUBE, 4.5X75 (BULK HOSE: 95001-45008-40M)					6	AC		2	95001-45075-40	0635441
43	CLIP, TUBE, B7			4	5	6	AC		8	95002-02070	0250639
44	CLIP, TUBE, B10			4	5	6	AC		4	95002-02100	0250985
45	CLIP, TUBE, B12			4	5				2	95002-02120	0335034
						6	A		2	95002-02120	0335034
						6	AC		1	95002-02120	0335034
46	CLIP, TUBE, B6.5					6	AC		2	95002-02650	0315705

CONTENTS		
TITLE	PAGE	GRID
ALTERNATOR	28	1-C2
CAM CHAIN	15	1-B7
CAMSHAFT	12	1-B6
CARBURETOR (ASSY. LINK)	64	1-D8
CARBURETOR (COMP. PARTS)	70	1-D11
CLUTCH	22	1-B11
COVER, RR.	30	1-C3
CRANKCASE COVER, R.	20	1-B10
CRANKSHAFT	42	1-C9
CROSS SHAFT	60	1-D6
CYLINDER BLOCK	38	1-C7
CYLINDER HEAD COVER	2	1-B1
CYLINDER, FR.	3	1-B1
CYLINDER, RR.	8	1-B4
GASKET KIT A	74	1-E1
GASKET KIT B	75	1-E1
GEARSHIFT DRUM	52	1-D2
OIL FILTER	34	1-C5
OIL PAN	34	1-C5
OIL PUMP	34	1-C5
PISTON	42	1-C9
PULSE ALTERNATOR	26	1-C1
STARTER CLUTCH	26	1-C1
STARTER MOTOR	32	1-C4
TENSIONER	15	1-B7
THERMOSTAT	56	1-D4
TRANSMISSION	48	1-C12
VALVE	12	1-B3
WATER PIPE	56	1-D4
WATER PUMP	30	1-C3

VF1100C'83 ENGINE NO.; SC12E-2000039 TO 2018597  
 VF1100C'83 FRAME NO.; SC120-DM000029 TO DM017677  
 VF1100C'84 ENGINE NO.; SC12E-2100001 TO 2116075  
 VF1100C'84 FRAME NO.; SC120-EA100001 TO EA117064

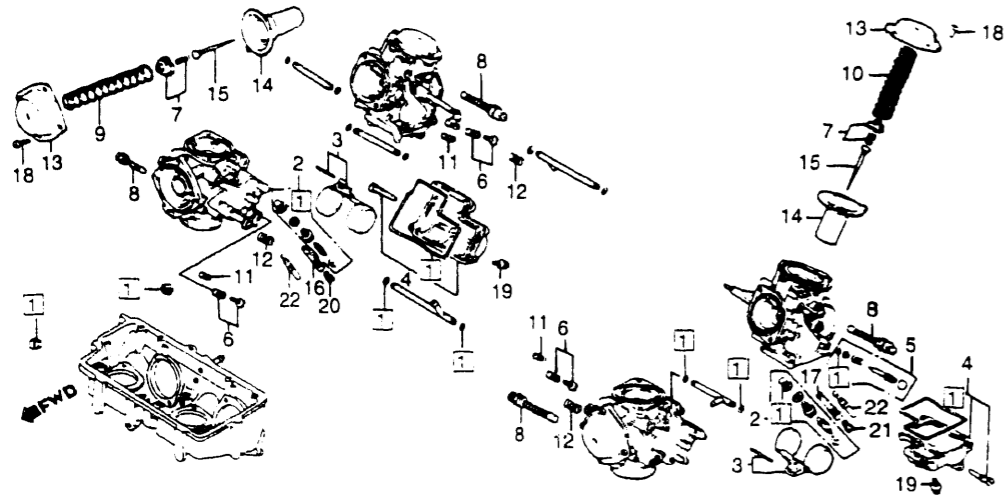
VF1100C'84 ENGINE NO.; SC12E-2102298 TO 2114635  
 VF1100C'84 FRAME NO.; SC121-EA100004 TO EA117067  
 VF1100C'85 ENGINE NO.; SC12E-2200001 TO 2208055  
 VF1100C'85 FRAME NO.; SC120-FA200006 TO FA208465

VF1100C'85 ENGINE NO.; SC12E-2200001 TO 2206580  
 VF1100C'85 FRAME NO.; SC121-FA200001 TO FA206845  
 VF1100C'86 ENGINE NO.; SC12E-2300020 TO 2304336  
 VF1100C'86 FRAME NO.; SC120-GM300101 TO GM304425

VF1100C'86 ENGINE NO.; SC12E-2300001 TO 2302532  
 VF1100C'86 FRAME NO.; SC121-GM301306 TO GM302625



# CARBURETOR (COMP. PARTS)



E14MB4D1801

Ref. No.	BLOCK NO. E-18-1	VF1100C				AREA CODE	ENGINE SERIAL NUMBER		QTY REQ	PART NUMBER	HONDA CODE
		1	1	1	1		FROM	TO			
		1	1	1	1						
		9	9	9	9						
		8	8	8	8						
		3	4	5	6						
1	GASKET SET	3				A			4	16010-MB0-671 1241736	
	GASKET SET	3				A			4	16010-MB0-871 3516416	
	GASKET SET		4	5					4	16010-MB4-621 1426014	
	GASKET SET		4	5	6				4	16010-MB4-622 2249340	
	GASKET SET		4	5	6				4	16010-MB6-305 3911518	
	GASKET SET		4	5	6				4	16010-MB6-681 2076362	
2	VALVE SET, FLOAT	3				A			4	16011-MB0-671 1241744	
			4	5					4	16011-MB0-671 1241744	
				6		A		VD70C E	4	16011-MB0-671 1241744	
	VALVE SET, FLOAT	3				A			4	16011-MR6-671 2825776	
			4	5					4	16011-MR6-671 2825776	
				6		A		VD70C E	4	16011-MR6-671 2825776	
				6		A		VD70C F	4	16011-MR6-671 2825776	
				6		AC			4	16011-MR6-671 2825776	
	VALVE SET, FLOAT			6		A		VD70C F	4	16011-MG8-671 2025724	
				6		AC			4	16011-MG8-671 2025724	
3	FLOAT SET	3				A			4	16013-MB0-671 1241751	
			4	5	6				4	16013-MB0-671 1241751	

Ref. No.	BLOCK NO. E-18-1	VF1100C				AREA CODE	ENGINE SERIAL NUMBER		QTY REQ	PART NUMBER	HONDA CODE
		1	1	1	1		FROM	TO			
		1	1	1	1						
		9	9	9	9						
		8	8	8	8						
		3	4	5	6						
4	CHAMBER SET, FLOAT	3				A			4	16015-MB0-671 1241769	
			4	5					4	16015-MB0-671 1241769	
	CHAMBER SET, FLOAT	3				A			4	16015-MB0-871 2249373	
			4	5	6				4	16015-MB0-871 2249373	
	CHAMBER SET, FLOAT	3				A			4	16015-MN2-631 4440905	
			4	5	6				4	16015-MN2-631 4440905	
5	SCREW SET A	3				A			4	16016-MB0-671 1241777	
	SCREW SET A	3				A			4	16016-ME3-003 4084067	
	SCREW SET A		4	5	6				4	16016-MF5-671 1438027	
6	SCREW SET C	3				A			3	16029-MB0-671 1241843	
			4	5	6				3	16029-MB0-671 1241843	
7	PLATE SET, VALVE	3				A			4	16037-MB4-671 1390459	
			4	5	6				4	16037-MB4-671 1390459	
8	VALVE SET, STARTER	3				A			4	16046-MA6-003 1241892	
			4	5					4	16046-MA6-003 1241892	
				6		A		VD70C E	4	16046-MA6-003 1241892	
	VALVE SET, STARTER			6		A		VD70E F	4	16046-MG9-681 1918507	
				6		AC			4	16046-MG9-681 1918507	
9	SPRING, FR. VACUUM PISTON	3				A			2	16050-MB4-671 1390442	
			4	5	6				2	16050-MB4-671 1390442	
10	SPRING, RR. VACUUM PISTON	3				A			2	16051-MB4-671 1390475	
			4	5	6				2	16051-MB4-671 1390475	
11	SPRING	3				A			3	16052-MB0-671 1241934	
			4						3	16052-MB0-671 1241934	
				5		A		VD70C C	3	16052-MB0-671 1241934	
				5		AC		VD76A C	3	16052-MB0-671 1241934	
	SPRING			5		A		VD70C D	3	16052-ME9-672 1535616	
				5		AC		VD76A D	3	16052-ME9-672 1535616	
				6					3	16052-ME9-672 1535616	
12	SPRING	3				A			3	16053-MB0-671 1241942	
			4	5	6				3	16053-MB0-671 1241942	
13	TOP COMP.	3				A			4	16107-MB4-671 1390483	
			4	5	6				4	16107-MB4-671 1390483	
	TOP COMP.	3				A			4	16107-ME9-671 1402734	
			4	5	6				4	16107-ME9-671 1402734	
14	PISTON COMP., VACUUM	3				A			4	16111-MB4-671 1391580	
			4	5					4	16111-MB4-771 1814516	
				6		A		VD70C E	4	16111-MB4-771 1814516	

# CONTENTS

TITLE	PAGE	GRID
ALTERNATOR	28	1-C2
CAM CHAIN	15	1-B7
CAMSHAFT	12	1-B6
CARBURETOR (ASSY. LINK)	64	1-D8
CARBURETOR (COMP. PARTS)	70	1-D11
CLUTCH	22	1-B11
COVER, RR.	30	1-C3
CRANKCASE COVER, R.	20	1-B10
CRANKSHAFT	42	1-C9
CROSS SHAFT	60	1-D6
CYLINDER BLOCK	38	1-C7
CYLINDER HEAD COVER	2	1-B1
CYLINDER, FR.	3	1-B1
CYLINDER, RR.	8	1-B4
GASKET KIT A	74	1-E1
GASKET KIT B	75	1-E1
GEARSHIFT DRUM	52	1-D2
OIL FILTER	34	1-C5
OIL PAN	34	1-C5
OIL PUMP	34	1-C5
PISTON	42	1-C9
PULSE ALTERNATOR	26	1-C1
STARTER CLUTCH	26	1-C1
STARTER MOTOR	32	1-C4
TENSIONER	15	1-B7
THERMOSTAT	56	1-D4
TRANSMISSION	48	1-C12
VALVE	12	1-B6
WATER PIPE	56	1-D4
WATER PUMP	30	1-C3

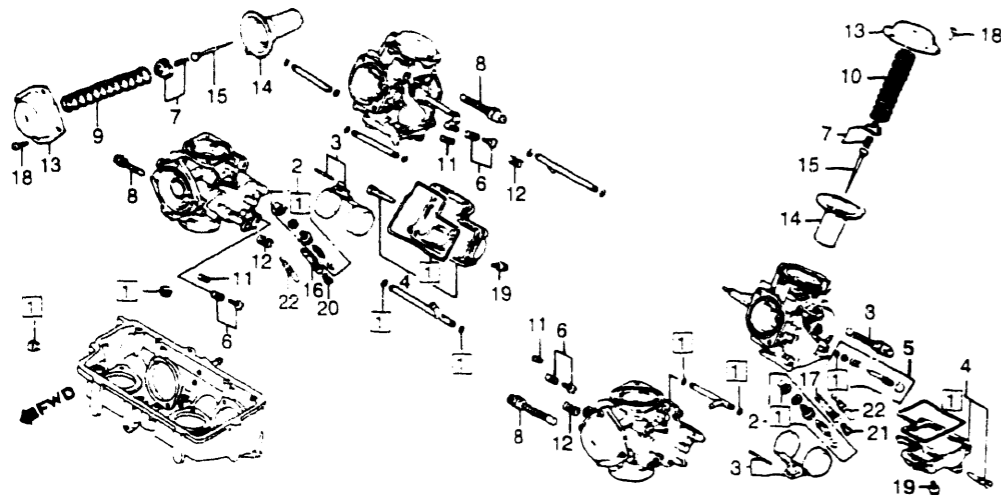
VF1100C'83 ENGINE NO.; SC12E-2000039 TO 2018597  
 VF1100C'83 FRAME NO.; SC120-DM000029 TO DM017677  
 VF1100C'84 ENGINE NO.; SC12E-2100001 TO 2116075  
 VF1100C'84 FRAME NO.; SC120-EA100001 TO EA117064

VF1100C'84 ENGINE NO.; SC12E-2102298 TO 2114635  
 VF1100C'84 FRAME NO.; SC121-EA100004 TO EA117067  
 VF1100C'85 ENGINE NO.; SC12E-2200001 TO 2208055  
 VF1100C'85 FRAME NO.; SC120-FA200006 TO FA208465

VF1100C'85 ENGINE NO.; SC12E-2200001 TO 2206580  
 VF1100C'85 FRAME NO.; SC121-FA200001 TO FA206845  
 VF1100C'86 ENGINE NO.; SC12E-2300020 TO 2304336  
 VF1100C'86 FRAME NO.; SC120-GM300101 TO GM304425

VF1100C'86 ENGINE NO.; SC12E-2300001 TO 2302532  
 VF1100C'86 FRAME NO.; SC121-GM301306 TO GM302625

# CARBURETOR (COMP. PARTS)



E14MB4D1801

Ref. No.	BLOCK NO. E-18-1 DESCRIPTION	VF1100C				AREA CODE	ENGINE SERIAL NUMBER FROM TO	QTY REQ	PART NUMBER	HONDA CODE
		1	2	3	4					
	3 = VF1100C'83 4 = VF1100C'84 5 = VF1100C'85 6 = VF1100C'86	1	1	1	1					
		9	9	9	9					
		8	8	8	8					
		3	4	5	6					
14	PISTON COMP., VACUUM	--	4	5	--			4	16112-MB4-771	2260362
					6	A	VD70C E	4	16112-MB4-771	2260362
					6	A	VD70C F	4	16112-MB4-771	2260362
					6	AC		4	16112-MB4-771	2260362
15	NEEDLE, FR. JET	3	--	--	--	A		4	16131-MB4-671	1390467
	NEEDLE, JET	--	4	5	6			4	16131-MB4-771	1546233
	NEEDLE, JET	--	4	5	6	AC		4	16131-MB4-881	1707843
	NEEDLE, JET	--	4	5	6	AC		4	16151-MB4-771	1546241
16	HOLDER, NEEDLE JET	3	--	--	--	A		2	16165-MB0-771	1318997
			4	5	6			2	16165-MB0-771	1318997
17	HOLDER, RR. JET NEEDLE	3	--	--	--	A		2	16167-MB0-771	1390376
			4	5	6			2	16167-MB0-771	1390376
18	SCREW, PAN, 4X10	3	--	--	--	A		16	93500-04010-0A	0188359
			4	5	6			16	93500-04010-0A	0188359
19	SCREW-WASHER, 4X16	3	--	--	--	A		16	93892-04016-00	0692053
			4	5	6			16	93892-04016-00	0692053
20	JET, MAIN, = 140	3	--	--	--	A		2	99101-393-1400	0934356

VF1100C'83 ENGINE NO.; SC12E-2000039 TO 2018597  
 VF1100C'83 FRAME NO.; SC120-DM000029 TO DM017677  
 VF1100C'84 ENGINE NO.; SC12E-2100001 TO 2116075  
 VF1100C'84 FRAME NO.; SC120-EA100001 TO EA117064  
 VF1100C'84 ENGINE NO.; SC12E-2102298 TO 2114635  
 VF1100C'84 FRAME NO.; SC121-EA100004 TO EA117067  
 VF1100C'85 ENGINE NO.; SC12E-2200001 TO 2208055  
 VF1100C'85 FRAME NO.; SC120-FA200006 TO FA208465

Ref. No.	BLOCK NO. E-18-1 DESCRIPTION	VF1100C				AREA CODE	ENGINE SERIAL NUMBER FROM TO	QTY REQ	PART NUMBER	HONDA CODE
		1	2	3	4					
	3 = VF1100C'83 4 = VF1100C'84 5 = VF1100C'85 6 = VF1100C'86	1	1	1	1					
		9	9	9	9					
		8	8	8	8					
		3	4	5	6					
20	JET	--	4	5	--			2	99101-GHB-1180	4460051
	JET, MAIN, = 118	--	4	5	--	A		2	99101-GHB-1180	4460051
	JET, MAIN, = 115	--	4	5	--	AC		2	99101-393-1180	1395722
								2	99101-393-1180	1395722
21	JET, MAIN, = 140	3	--	--	--	A		2	99101-393-1400	0934356
	JET, PRIMARY MAIN, = 140	3	--	--	--	A		2	99102-393-1400	1716166
	JET, MAIN, = 120	--	4	5	6			2	99101-GHB-1200	4513206
	JET, MAIN, = 120	--	4	5	6			2	99101-393-1200	0687921
	JET, SECONDARY MAIN = 120	--	4	5	6			2	99102-393-1200	1007350
22	JET, SLOW, = 38	3	--	--	--	A		4	99103-437-0380	1244029
			4	5	6			4	99103-437-0380	1244029

VF1100C'85 ENGINE NO.; SC12E-2200001 TO 2206580  
 VF1100C'85 FRAME NO.; SC121-FA200001 TO FA206545  
 VF1100C'86 ENGINE NO.; SC12E-2300020 TO 2304336  
 VF1100C'86 FRAME NO.; SC120-GM300101 TO GM304425  
 VF1100C'86 ENGINE NO.; SC12E-2300001 TO 2302532  
 VF1100C'86 FRAME NO.; SC121-GM301306 TO GM302625

# CONTENTS

TITLE	PAGE	GRID
ALTERNATOR	28	1-C2
CAM CHAIN	15	1-B7
CAMSHAFT	12	1-B6
CARBURETOR (ASSY. LINK)	64	1-D8
CARBURETOR (COMP. PARTS)	70	1-D11
CLUTCH	22	1-B11
COVER, RR.	30	1-C3
CRANKCASE COVER, R.	20	1-B10
CRANKSHAFT	42	1-C9
CROSS SHAFT	60	1-D6
CYLINDER BLOCK	38	1-C7
CYLINDER HEAD COVER	2	1-B1
CYLINDER, FR.	3	1-B1
CYLINDER, RR.	8	1-B4
GASKET KIT A	74	1-E1
GASKET KIT B	75	1-E1
GEARSHIFT DRUM	52	1-D2
OIL FILTER	34	1-C5
OIL PAN	34	1-C5
OIL PUMP	34	1-C5
PISTON	42	1-C9
PULSE ALTERNATOR	26	1-C1
STARTER CLUTCH	26	1-C1
STARTER MOTOR	52	1-C4
TENSIONER	15	1-B7
THERMOSTAT	56	1-D4
TRANSMISSION	48	1-C12
VALVE	12	1-B6
WATER PIPE	56	1-D4
WATER PUMP	30	1-C3

# GASKET KIT A

# GASKET KIT B

# CONTENTS

TITLE	PAGE	GRID
ALTERNATOR	28	1-C2
CAM CHAIN	15	1-B7
CAMSHAFT	12	1-B6
CARBURETOR (ASSY LINK)	64	1-D8
CARBURETOR (COMP PARTS)	70	1-D11
CLUTCH	22	1-B11
COVER, RR	30	1-C3
CRANKCASE COVER, R	20	1-B10
CRANKSHAFT	42	1-C9
CROSS SHAFT	60	1-D6
CYLINDER BLOCK	38	1-C7
CYLINDER HEAD COVER	2	1-B1
CYLINDER, FR	3	1-B1
CYLINDER, RR	8	1-B4
GASKET KIT A	74	1-E1
GASKET KIT B	75	1-E1
GEARSHIFT DRUM	52	1-D2
OIL FILTER	34	1-C5
OIL PAN	34	1-C5
OIL PUMP	34	1-C5
PISTON	42	1-C9
PULSE ALTERNATOR	26	1-C1
STARTER CLUTCH	26	1-C1
STARTER MOTOR	32	1-C4
TENSIONER	15	1-B7
THERMOSTAT	56	1-D4
TRANSMISSION	48	1-C12
VALVE	12	1-B6
WATER PIPE	56	1-D4
WATER PUMP	30	1-C3

NOKL

NOILL

Ref. No.	BLOCK NO	EOP-1	VF1100C				AREA	ENGINE SERIAL NUMBER		QTY REQ	PART NUMBER	HONDA CODE
			1	1	1	1		FROM	TO			
	3 = VF1100C'83											
	4 = VF1100C'84											
	5 = VF1100C'85											
	6 = VF1100C'86											
1	GASKET KIT A		3	---	---	A	---	---	1	061A1-MB4-000	1425883	
			---	4	5	6	---	---	1	061A1-MB4-000	1425883	
2	SEAL, VALVE STEM		3	---	---	A	---	---	16	12209-422-005	0688887	
			---	4	5	6	---	---	16	12209-422-005	0688887	
3	GASKET, CYLINDER HEAD		3	---	---	A	---	---	2	12251-MB4-000	1385624	
			---	4	5	6	---	---	2	12251-MB4-000	1385624	
	GASKET, CYLINDER HEAD		3	---	---	A	---	---	2	12251-MB4-306	4367967	
			---	4	5	6	---	---	2	12251-MB4-306	4367967	
4	GASKET A, CYLINDER HEAD COVER		3	---	---	A	---	---	3	12391-MB4-000	1385640	
			---	4	5	6	---	---	3	12391-MB4-000	1385640	
5	GASKET, EX. PIPE		3	---	---	A	---	---	4	18291-MN4-920	2916997	
			---	4	5	6	---	---	4	18291-MN4-920	2916997	
	GASKET, EX. PIPE		3	---	---	A	---	---	4	18291-236-000	0148593	
			---	4	5	6	---	---	4	18291-236-000	0148593	
6	WASHER, OIL BOLT		3	---	---	A	---	---	6	90545-300-000	0189902	
			---	4	5	6	---	---	6	90545-300-000	0189902	
7	O-RING, 21.5x2		3	---	---	A	---	---	8	91310-KE8-003	1425602	
			---	4	5	6	---	---	8	91310-KE8-003	1425602	

Ref. No.	BLOCK NO	EOP-2	VF1100C				AREA	ENGINE SERIAL NUMBER		QTY REQ	PART NUMBER	HONDA CODE
			1	1	1	1		FROM	TO			
	3 = VF1100C'83											
	4 = VF1100C'84											
	5 = VF1100C'85											
	6 = VF1100C'86											
1	GASKET KIT B		3	---	---	A	---	---	1	061B1-MB4-T10	4357174	
			---	4	5	6	---	---	1	061B1-MB4-T10	4357174	
	GASKET KIT B		3	---	---	A	---	---	1	061B1-MB4-000	1425891	
			---	4	5	6	---	---	1	061B1-MB4-000	1425891	
	GASKET KIT B		3	---	---	A	---	---	1	061B1-MB4-010	2053544	
			---	4	5	6	---	---	1	061B1-MB4-010	2053544	
2	GASKET, OIL PAN		3	---	---	A	---	---	1	11315-MB4-000	1386010	
			---	4	5	6	---	---	1	11315-MB4-000	1386010	
3	GASKET, R. COVER		3	---	---	A	---	---	1	11394-MB4-000	1386069	
			---	4	5	6	---	---	1	11394-MB4-000	1386069	
	GASKET, R. COVER		3	---	---	A	---	---	1	11394-MB4-306	4301024	
			---	4	5	6	---	---	1	11394-MB4-306	4301024	
4	GASKET, ALTERNATOR COVER		3	---	---	A	---	---	1	11636-MB4-000	1386085	
			---	4	5	6	---	---	1	11636-MB4-000	1386085	
5	GASKET, INDICATOR SWITCH COVER		3	---	---	A	---	---	1	11642-MB0-000	1240902	
			---	4	5	6	---	---	1	11642-MB0-000	1240902	
6	GASKET, SIDE GEAR		3	---	---	A	---	---	1	21291-MB0-306	4510665	
			---	4	5	6	---	---	1	21291-MB0-306	4510665	

74 © AMERICAN HONDA MOTOR CO. INC 1994

© AMERICAN HONDA MOTOR CO. INC 1994 75

VF1100C'83 ENGINE NO.; SC12E-2000039 TO 2018597  
 VF1100C'83 FRAME NO.; SC120-DM000029 TO DM017677  
 VF1100C'84 ENGINE NO.; SC12E-2100001 TO 2116075  
 VF1100C'84 FRAME NO.; SC120-EA100001 TO FA117064

VF1100C'84 ENGINE NO.; SC12E-2102298 TO 2114635  
 VF1100C'84 FRAME NO.; SC121-EA100004 TO EA117067  
 VF1100C'85 ENGINE NO.; SC12E-2200001 TO 2208055  
 VF1100C'85 FRAME NO.; SC120-FA200006 TO FA208465

VF1100C'85 ENGINE NO.; SC12E-2200001 TO 2206580  
 VF1100C'85 FRAME NO.; SC121-FA200001 TO FA206845  
 VF1100C'86 ENGINE NO.; SC12E-2300020 TO 2304336  
 VF1100C'86 FRAME NO.; SC120-GM300101 TO GM304425

VF1100C'86 ENGINE NO.; SC12E-2300001 TO 2302532  
 VF1100C'86 FRAME NO.; SC121-GM301306 TO GM302625

# GASKET KIT B

<p>3 = VF1100C'83 4 = VF1100C'84 5 = VF1100C'85 6 = VF1100C'86</p>									
NOILL									

Ref. No.	BLOCK NO. DESCRIPTION	VF1100C				AREA CODE	ENGINE SERIAL NUMBER		QTY REQ	PART NUMBER	HONDA CODE
		1	1	1	1		FROM	TO			
	6 GASKET, SIDE GEAR CASE .....	3	--	--	--	A	----	----	1	21291-MB0-770	1290758
		--	4	5	6		----	----	1	21291-MB0-770	1290758
	7 INSULATOR, CLUTCH SLAVE .....	3	--	--	--	A	----	----	1	22862-MB0-307	4416970
		--	4	5	6		----	----	1	22862-MB0-307	4416970
	INSULATOR, CLUTCH SLAVE CYLINDER	3	--	--	--	A	----	----	1	22862-MB0-770	1291202
		--	4	5	6		----	----	1	22862-MB0-770	1291202
	8 WASHER, 11MM .....	3	--	--	--	A	----	----	1	90425-300-000	0189795
		--	4	5	6		----	----	1	90425-300-000	0189795
	9 GASKET, CONNECTING CAP .....	3	--	--	--	A	----	----	2	91301-MB0-000	1243880
		--	4	5	6		----	----	2	91301-MB0-000	1243880
	10 O-RING, 18.3X2.3 (ARAI) .....	3	--	--	--	A	----	----	2	91301-147-023	1005453
		--	4	5	6		----	----	2	91301-147-023	1005453
	11 O-RING, 22X3.0 .....	3	--	--	--	A	----	----	1	91301-250-000	0035287
		--	4	5	6		----	----	1	91301-250-000	0035287
	O-RING, 22X3.0 .....	3	--	--	--	A	----	----	1	91307-425-003	1216126
		--	4	5	6		----	----	1	91307-425-003	1216126
	12 O-RING, 32.95X2.62 (ARAI) .....	3	--	--	--	A	----	----	1	91302-MB0-013	1435114
		--	4	5	6		----	----	1	91302-MB0-013	1435114

Ref. No.	BLOCK NO. DESCRIPTION	VF1100C				AREA CODE	ENGINE SERIAL NUMBER		QTY REQ	PART NUMBER	HONDA CODE
		1	1	1	1		FROM	TO			
	13 O-RING, 58X2 .....	3	--	--	--	A	----	----	1	91307-MB0-003	1260827
		--	4	5	6		----	----	1	91307-MB0-003	1260827
	14 O-RING, 5.7X2.2 (ARAI) .....	3	--	--	--	A	----	----	1	91308-MB0-003	1260835
		--	4	5	6		----	----	1	91308-MB0-003	1260835
	15 O-RING, 14.6X3.7 (ARAI) .....	3	--	--	--	A	----	----	2	91309-MB0-003	1260843
		--	4	5	6		----	----	2	91309-MB0-003	1260843
	16 O-RING, 18.5X2.4 (ARAI) .....	3	--	--	--	A	----	----	1	91311-MB0-003	1260850
		--	4	5	6		----	----	1	91311-MB0-003	1260850
	17 O-RING, 14.7X2.2 (ARAI) .....	3	--	--	--	A	----	----	1	91313-MB0-003	1260868
		--	4	5	6		----	----	1	91313-MB0-003	1260868
	O-RING, 14.8X2.2 .....	3	--	--	--	A	----	----	1	91313-MG7-004	3353620
		--	4	5	6		----	----	1	91313-MG7-004	3353620
	18 O-RING, 18X2.8 .....	3	--	--	--	A	----	----	1	91314-MB0-003	1260876
		--	4	5	6		----	----	1	91314-MB0-003	1260876
	19 O-RING, 3X70 .....	3	--	--	--	A	----	----	1	91314-MJ0-000	1690767
		--	4	5	6		----	----	1	91314-MJ0-000	1690767
	O-RING, 70X3 .....	3	--	--	--	A	----	----	1	91314-300-000	0483826
		--	4	5	6		----	----	1	91314-300-000	0483826
	20 SEAL, WATER PIPE .....	3	--	--	--	A	----	----	1	91315-MB0-013	1435239
		--	4	5	6		----	----	1	91315-MB0-013	1435239
	21 WASHER, DRAIN PLUG, 12MM .....	3	--	--	--	A	----	----	1	94109-12000	0171868
		--	4	5	6		----	----	1	94109-12000	0171868

# CONTENTS

TITLE	PAGE	GRID
ALTERNATOR .....	28	1-C2
CAM CHAIN .....	15	1-B7
CAMSHAFT .....	12	1-B6
CARBURETOR (ASSY. LINK) .....	64	1-D8
CARBURETOR (COMP. PARTS) .....	70	1-D11
CLUTCH .....	22	1-B11
COVER, RR .....	30	1-C3
CRANKCASE COVER, R .....	20	1-B10
CRANKSHAFT .....	42	1-C9
CROSS SHAFT .....	60	1-D6
CYLINDER BLOCK .....	38	1-C7
CYLINDER HEAD COVER .....	2	1-B1
CYLINDER, FR .....	3	1-B1
CYLINDER, RR .....	8	1-B4
GASKET KIT A .....	74	1-E1
GASKET KIT B .....	75	1-E1
GEARSHIFT DRUM .....	52	1-D2
OIL FILTER .....	34	1-C5
OIL PAN .....	34	1-C5
OIL PUMP .....	34	1-C5
PISTON .....	42	1-C9
PULSE ALTERNATOR .....	26	1-C1
STARTER CLUTCH .....	26	1-C1
STARTER MOTOR .....	32	1-C4
TENSIONER .....	15	1-B7
THERMOSTAT .....	56	1-D4
TRANSMISSION .....	48	1-C12
VALVE .....	12	1-B6
WATER PIPE .....	56	1-D4
WATER PUMP .....	30	1-C3

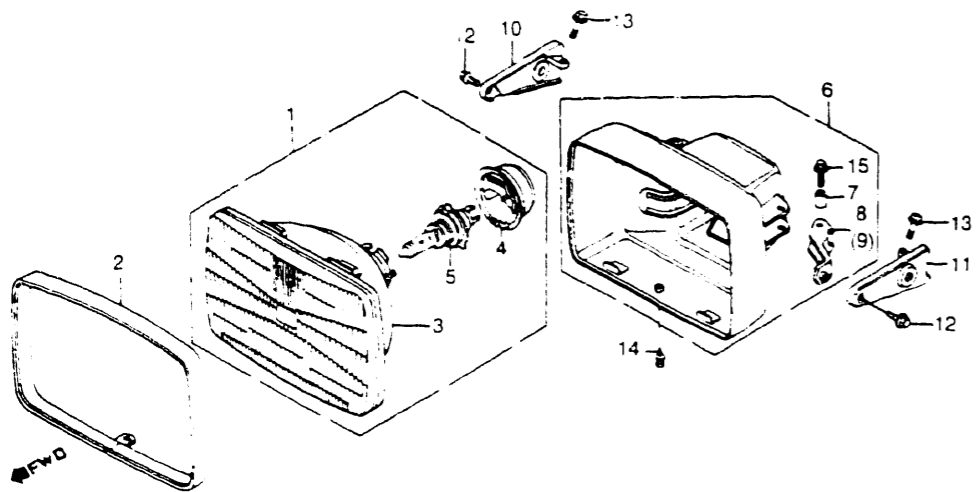
VF1100C'83 ENGINE NO.; SC12E-2000039 TO 2018597  
 VF1100C'83 FRAME NO.; SC120-DM000029 TO DM017677  
 VF1100C'84 ENGINE NO.; SC12E-2100001 TO 2116075  
 VF1100C'84 FRAME NO.; SC120-EA100001 TO EA117064

VF1100C'84 ENGINE NO.; SC12E-2102298 TO 2114635  
 VF1100C'84 FRAME NO.; SC121-EA100004 TO EA117067  
 VF1100C'85 ENGINE NO.; SC12E-2200001 TO 2208055  
 VF1100C'85 FRAME NO.; SC120-FA200006 TO FA208465

VF1100C'85 ENGINE NO.; SC12E-2200001 TO 2206580  
 VF1100C'85 FRAME NO.; SC121-FA200001 TO FA206845  
 VF1100C'86 ENGINE NO.; SC12E-2300020 TO 2304336  
 VF1100C'86 FRAME NO.; SC120-GM300101 TO GM304425

VF1100C'86 ENGINE NO.; SC12E-2300001 TO 2302532  
 VF1100C'86 FRAME NO.; SC121-GM301306 TO GM302625

# HEADLIGHT



F14MB4D01

Ref No	BLOCK NO DESCRIPTION	F-1	VF1100C				AREA	FRAME SERIAL NUMBER		QTY REQ	PART NUMBER	HONDA CODE
			1	2	3	4		FROM	TO			
	3 = VF1100C'83 4 = VF1100C'84 5 = VF1100C'85 6 = VF1100C'86		1	1	1	1						
			9	9	9	9						
			8	8	8	8						
			3	4	5	6						
1	HEADLIGHT ASSY. (12V 60/55W) ....	3	--	--	--	A	---	---	1	33100-MB4-671	1654367	
			4	5	6				1	33100-MB4-671	1654367	
2	RING, HEADLIGHT .....	3	--	--	--	A	---	---	1	33105-MB4-671	1670256	
			4	5	6				1	33105-MB4-671	1670256	
3	HEADLIGHT UNIT .....	3	--	--	--	A	---	---	1	33120-ME5-670	1390517	
			4	5	6				1	33120-ME5-670	1390517	
4	COVER, RUBBER .....	3	--	--	--	A	---	---	1	33180-422-003	0692178	
			4	5	6				1	33180-422-003	0692178	
5	BULB, HEADLIGHT (H4 JA12V60/55W) .....	3	--	--	--	A	---	---	1	34901-MC7-601	1288612	
			4	5	6				1	34901-MC7-601	1288612	
	BULB, 12V60/55W H4 .....	3	--	--	--	A	---	---	1	34901-MC7-601AH	3924347	
			4	5	6				1	34901-MC7-601AH	3924347	
6	CASE, HEADLIGHT .....	3	--	--	--	A	---	DM004804	1	61301-MB4-000	1385350	
			3	--	--	A	---	DM004804	1	61301-MB4-003	1512615	
			3	--	--	A	---	---	1	61301-MB4-003	1512615	
			4	5	6				1	61301-MB4-003	1512615	
	CASE, HEADLIGHT .....	3	--	--	--	A	---	DM004804	1	61301-MF5-000	1432632	
			3	--	--	A	---	---	1	61301-MF5-000	1432632	
			4	5	6				1	61301-MF5-000	1432632	

Ref No	BLOCK NO DESCRIPTION	F-1	VF1100C				AREA	FRAME SERIAL NUMBER		QTY REQ	PART NUMBER	HONDA CODE
			1	2	3	4		FROM	TO			
	3 = VF1100C'83 4 = VF1100C'84 5 = VF1100C'85 6 = VF1100C'86		1	1	1	1						
			9	9	9	9						
			8	8	8	8						
			3	4	5	6						
7	COLLAR, HEADLIGHT CASE .....	3	--	--	--	A	DM004805	---	2	61302-MB4-003	1715994	
			4	5	6				2	61302-MB4-003	1715994	
8	BRACKET COMP., L. ....	3	--	--	--	A	DM004805	---	1	61303-MB4-003	1716000	
			4	5	6				1	61303-MB4-003	1716000	
9	BRACKET COMP., R. ....	3	--	--	--	A	DM004805	---	1	61304-MB4-003	1716018	
			4	5	6				1	61304-MB4-003	1716018	
10	STAY, R. HEADLIGHT .....	3	--	--	--	A	---	---	1	61312-MB4-000	1388388	
			4	5	6				1	61312-MB4-000	1388388	
11	STAY, L. HEADLIGHT .....	3	--	--	--	A	---	---	1	61313-MB4-000	1388396	
			4	5	6				1	61313-MB4-000	1388396	
12	BOLT, FLANGE, 8X16 .....	3	--	--	--	A	---	---	2	90106-MB2-000	1431188	
			4	5	6				2	90106-MB2-000	1431188	
			--	5	--		FA205944	---	2	90106-MB2-000	1431188	
	BOLT, SPECIAL FLANGE, 8X16 .....	3	--	--	--	A	---	---	2	90110-ME4-000	1380948	
			4	--	--				2	90110-ME4-000	1380948	
			--	5	--		FA205944	---	2	90110-ME4-000	1380948	
13	BOLT, SPECIAL FLANGE, 8X26 .....	3	--	--	--	A	---	---	2	90183-438-000	0765651	
			4	5	6				2	90183-438-000	0765651	
14	BOLT, SLOT, 5X12 .....	3	--	--	--	A	---	---	1	92300-05012-0A	1378108	
			4	5	6				1	92300-05012-0A	1378108	
	BOLT, RECESSED, 5X12 .....	3	--	--	--	A	---	---	1	92301-05012-0A	3022571	
			4	5	6				1	92301-05012-0A	3022571	
15	BOLT, FLANGE, 6X35 .....	3	--	--	--	A	DM004805	---	2	96000-06035-02	0807354	
			4	5	6				2	96000-06035-02	0807354	
	BOLT, FLANGE, 6X35 .....	3	--	--	--	A	DM004805	---	2	96001-06035-02	3996105	
			4	5	6				2	96001-06035-02	3996105	

CONTENTS		
TITLE	PAGE	GRID
AIR CLEANER	156	1-14
BATTERY	152	1-12
BRAKE CALIPER, FR.	114	1-G7
BRAKE CALIPER, RR.	124	1-G12
BRAKE CONTROL LEVER	88	1-F6
BRAKE MASTER CYL. FR.	88	1-F6
BRAKE MASTER CYL. RR.	121	1-G10
BRAKE PEDAL	164	1-I8
CABLES	85	1-F4
CANISTER 84-85	202	1-K3
CANISTER 86	204	1-K4
CLUTCH CONTROL LEVER	92	1-F8
CLUTCH MASTER CYLINDER	92	1-F8
DRIVE SHAFT	172	1-I12
FENDER, FR.	105	1-G2
FENDER, RR.	178	1-J3
FINAL DRIVEN GEAR	130	1-H3
FOOTPEGS	166	1-I9
FRAME	196	1-J12
FUEL PUMP	152	1-I2
FUEL TANK	136	1-H6
GEARSHIFT PEDAL	164	1-I8
HANDLEBAR	96	1-F10
HEADLIGHT	78	1-F1
HORN	100	1-F12
IGNITION COIL	188	1-J8
INSTRUMENTS	80	1-F2
MAIN STAND	169	1-I10
MUFFLER	160	1-I6
RADIATOR	191	1-J9
RECTIFIER	144	1-H10
SEAT	141	1-H8
SHOCK ABSORBER	175	1-J1
SHOCK ABSORBER, FR.	106	1-G3
SIDE COVER	144	1-H10
SIDE STAND	169	1-I10
SPARK UNIT	178	1-J3
STEERING STEM	100	1-F12
SWINGARM	172	1-I12
SWITCHES	85	1-F4
TAILLIGHT	185	1-J6
TOOLS	200	1-K2
TOP BRIDGE	96	1-F10
TURN SIGNAL	180	1-J4
WHEEL, FR.	118	1-G9
WHEEL, RR.	127	1-H1
WIRE HARNESS	188	1-J8

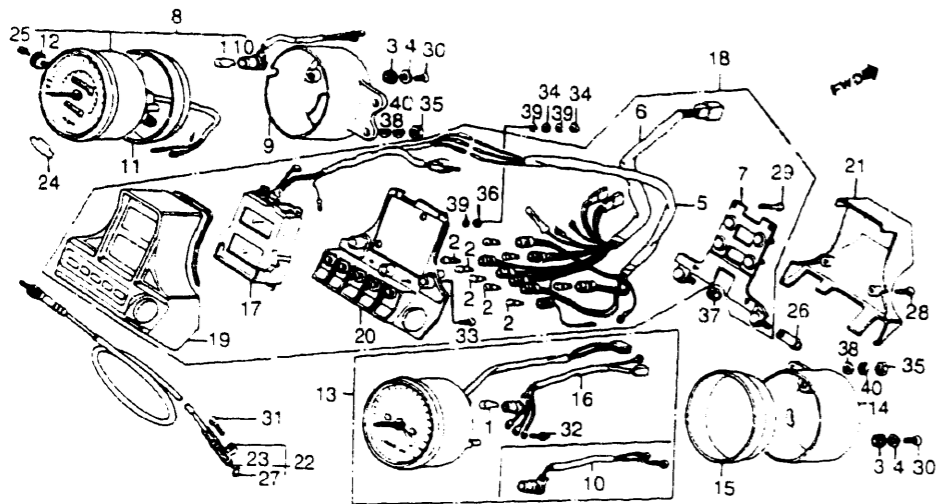
VF1100C'83 ENGINE NO.; SC12E-2000039 TO 2018597  
 VF1100C'83 FRAME NO.; SC120-DM000029 TO DM017677  
 VF1100C'84 ENGINE NO.; SC12E-2100001 TO 2116075  
 VF1100C'84 FRAME NO.; SC120-EA100001 TO EA117064

VF1100C'84 ENGINE NO.; SC12E-2102298 TO 2114635  
 VF1100C'84 FRAME NO.; SC121-EA100004 TO EA117067  
 VF1100C'85 ENGINE NO.; SC12E-2200001 TO 2208055  
 VF1100C'85 FRAME NO.; SC120-FA200006 TO FA208465

VF1100C'85 ENGINE NO.; SC12E-2200001 TO 2206580  
 VF1100C'85 FRAME NO.; SC121-FA200001 TO FA206845  
 VF1100C'86 ENGINE NO.; SC12E-2300020 TO 2304336  
 VF1100C'86 FRAME NO.; SC120-GM300101 TO GM304425

VF1100C'86 ENGINE NO.; SC12E-2300001 TO 2302532  
 VF1100C'86 FRAME NO.; SC121-GM301306 TO GM302625

# INSTRUMENTS



"CAUTION OR WARNING LABELS MUST BE ORDERED SEPARATELY WHEN APPLICABLE"

F14MB4D02

Ref No.	BLOCK NO. DESCRIPTION	VF1100C				AREA CODE	FRAME SERIAL NUMBER FROM TO	QTY REQ	PART NUMBER	HONDA CODE
		1	2	3	4					
	3 = VF1100C'83	1	1	1	1					
	4 = VF1100C'84	8	8	8	8					
	5 = VF1100C'85	3	4	5	6					
	6 = VF1100C'86	3	4	5	6					
1	BULB, WEDGE BASE (12V 3.4W) .....	3	---	---	---	A	---	2	34908-GA7-701	1084672
	BULB (12V3.4W) (158) .....	---	4	5	6	A	---	2	34908-GA7-701	1084672
	BULB (12V3.4W) (158) .....	3	---	---	---	A	---	2	37102-567-009	0846436
	BULB (14V3.4W) (NS) .....	---	4	5	6	A	---	2	37102-567-009	0846436
	BULB (12V3.4W) (158) .....	3	---	---	---	A	---	2	37237-SA5-003	1294925
	BULB (12V3.4W) (158) .....	---	4	5	6	A	---	2	37237-SA5-003	1294925
	BULB (12V3.4W) (158) .....	3	---	---	---	A	---	2	37237-SA5-004	1294966
	BULB (12V3.4W) (158) .....	---	4	5	6	A	---	2	37237-SA5-004	1294966
2	BULB, WEDGE BASE 12V3W .....	3	---	---	---	A	---	8	34908-MB0-003	1260611
	BULB, WEDGE BASE 12V3W .....	---	4	5	6	A	---	8	34908-MB0-003	1260611
3	RUBBER, METER SETTING .....	3	---	---	---	A	---	4	37101-MB1-008	1247014
	RUBBER, METER SETTING .....	---	4	5	6	A	---	4	37101-MB1-008	1247014
4	WASHER .....	3	---	---	---	A	---	4	37102-MB1-008	1247022
	WASHER .....	---	4	5	6	A	---	4	37102-MB1-008	1247022
5	SOCKET COMP. A .....	3	---	---	---	A	---	1	37105-MB4-671	1439066
	SOCKET COMP. A .....	---	4	5	6	A	---	1	37105-MB4-771	1557685
6	SOCKET COMP. B .....	3	---	---	---	A	---	1	37106-MB4-671	1439074
	SOCKET COMP. B .....	---	4	5	6	A	---	1	37106-MB4-771	1557693

Ref No.	BLOCK NO. DESCRIPTION	VF1100C				AREA CODE	FRAME SERIAL NUMBER FROM TO	QTY REQ	PART NUMBER	HONDA CODE
		1	2	3	4					
	3 = VF1100C'83	1	1	1	1					
	4 = VF1100C'84	8	8	8	8					
	5 = VF1100C'85	3	4	5	6					
	6 = VF1100C'86	3	4	5	6					
7	STAY ASSY., INSTRUMENT .....	3	---	---	---	A	---	1	37120-MB4-671	1439082
	STAY ASSY., INSTRUMENT .....	---	4	5	6	A	---	1	37120-MB4-671	1439082
8	SPEEDOMETER ASSY. ....	3	---	---	---	A	---	1	37200-MB4-671	1439090
	SPEEDOMETER ASSY. ....	---	4	---	---	A	---	1	37200-MB4-771	1557701
	SPEEDOMETER ASSY. ....	---	---	5	---	A	---	1	37200-MB4-681	1908540
	SPEEDOMETER ASSY. ....	---	---	---	6	A	---	1	37200-MB4-831	2250561
9	COVER, SPEEDOMETER .....	3	---	---	---	A	---	1	37202-MB4-671	1439108
	COVER, SPEEDOMETER .....	---	4	5	6	A	---	1	37202-MB4-671	1439108
10	SOCKET COMP., ILLUMINATION .....	3	---	---	---	A	---	2	37203-MB4-671	1439116
	SOCKET COMP., ILLUMINATION .....	---	4	5	---	A	---	2	37203-MB4-671	1439116
	SOCKET COMP., ILLUMINATION .....	---	---	---	6	A	---	1	37203-MB4-671	1439116
11	RUBBER, SPEEDOMETER .....	3	---	---	---	A	---	1	37204-MB1-008	1247089
	RUBBER, SPEEDOMETER .....	---	4	5	6	A	---	1	37204-MB1-008	1247089
12	KNOB, TRIP METER .....	3	---	---	---	A	---	1	37220-MB4-671	1439124
	KNOB, TRIP METER .....	---	4	5	---	A	---	1	37220-MB4-671	1439124
	KNOB, TRIP METER .....	---	---	---	6	A	---	1	37220-MB3-671	2020543
13	TACHOMETER ASSY. ....	3	---	---	---	A	---	1	37250-MB4-671	1439132
	TACHOMETER ASSY. ....	---	4	---	---	A	---	1	37250-MB4-771	1557719
	TACHOMETER ASSY. ....	---	---	5	---	A	---	1	37250-MB4-681	1908565
	TACHOMETER ASSY. ....	---	---	---	6	A	---	1	37250-MB4-831	2250579
14	COVER, TACHOMETER .....	3	---	---	---	A	---	1	37252-MB4-671	1439140
	COVER, TACHOMETER .....	---	4	5	6	A	---	1	37252-MB4-671	1439140
15	RUBBER, TACHOMETER .....	3	---	---	---	A	---	1	37254-MB1-008	1247139
	RUBBER, TACHOMETER .....	---	4	5	6	A	---	1	37254-MB1-008	1247139
16	SOCKET COMP., ILLUMINATION .....	---	---	---	6	A	---	1	37255-MB4-830	2266138
17	INSTRUMENT ASSY., TEMPERATURE .....	3	---	---	---	A	---	1	37450-MB4-671	1439157
	INSTRUMENT, TEMPERATURE & GEAR POSITION .....	---	4	---	---	A	---	1	37450-MB4-771	1557727
	INSTRUMENT, TEMPERATURE & GEAR POSITION .....	---	---	5	---	A	---	1	37450-MB4-772	2094928
	INSTRUMENT, TEMPERATURE & GEAR POSITION .....	---	---	---	6	A	---	1	37450-MB4-773	2101590
18	BOX ASSY., PILOT .....	3	---	---	---	A	---	1	37600-MB4-671	1458751
	BOX ASSY., PILOT .....	---	4	---	---	A	---	1	37600-MB4-771	1557735
	BOX ASSY., PILOT .....	---	---	5	---	A	---	1	37600-MB4-681	1908581
	BOX ASSY., PILOT .....	---	---	---	5	A	---	1	37600-MB4-682	2051167

CONTENTS		
TITLE	PAGE	GRID
AIR CLEANER	156	1-I4
BATTERY	152	1-I2
BRAKE CALIPER, FR.	114	1-G7
BRAKE CALIPER, RR.	124	1-G12
BRAKE CONTROL LEVER	88	1-F6
BRAKE MASTER CYL., FR.	88	1-F6
BRAKE MASTER CYL., RR.	121	1-G10
BRAKE PEDAL	164	1-I8
CABLES	85	1-F4
CANISTER 84-85	202	1-K3
CANISTER 86	204	1-K4
CLUTCH CONTROL LEVER	92	1-F8
CLUTCH MASTER CYLINDER	92	1-F8
DRIVE SHAFT	172	1-I12
FENDER, FR.	105	1-G2
FENDER, RR.	178	1-J3
FINAL DRIVEN GEAR	130	1-H3
FOOTPEGS	166	1-I9
FRAME	196	1-J12
FUEL PUMP	152	1-I2
FUEL TANK	136	1-H6
GEARSHIFT PEDAL	164	1-I8
HANDLEBAR	96	1-F10
HEADLIGHT	78	1-F1
HORN	100	1-F12
IGNITION COIL	188	1-J8
INSTRUMENTS	80	1-F2
MAIN STAND	169	1-I10
MUFFLER	160	1-I6
RADIATOR	191	1-J9
RECTIFIER	144	1-H10
SEAT	141	1-H8
SHOCK ABSORBER	175	1-J1
SHOCK ABSORBER, FR.	106	1-G3
SIDE COVER	144	1-H10
SIDE STAND	169	1-I10
SPARK UNIT	178	1-J3
STEERING STEM	100	1-F12
SWINGARM	172	1-I12
SWITCHES	85	1-F4
TAILLIGHT	185	1-J6
TOOLS	200	1-K2
TOP BRIDGE	96	1-F10
TURN SIGNAL	180	1-J4
WHEEL, FR.	118	1-G9
WHEEL, RR.	127	1-H1
WIRE HARNESS	188	1-J8

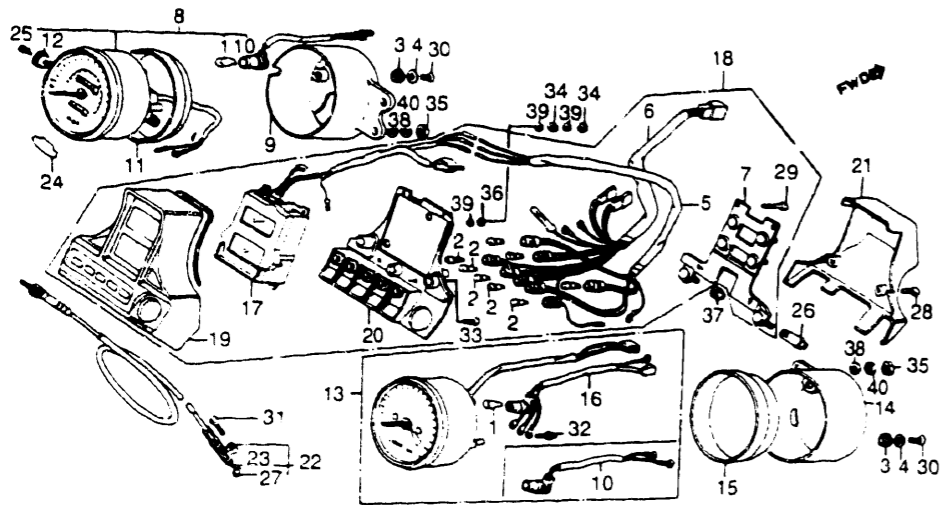
VF1100C'83 ENGINE NO.; SC12E-2000039 TO 2018597  
 VF1100C'83 FRAME NO.; SC120-DM000029 TO DM017677  
 VF1100C'84 ENGINE NO.; SC12E-2100001 TO 2116075  
 VF1100C'84 FRAME NO.; SC120-EA100001 TO EA117064

VF1100C'84 ENGINE NO.; SC12E-2102298 TO 2114635  
 VF1100C'84 FRAME NO.; SC121-EA100004 TO EA117067  
 VF1100C'85 ENGINE NO.; SC12E-2200001 TO 2208055  
 VF1100C'85 FRAME NO.; SC120-FA200006 TO FA208465

VF1100C'85 ENGINE NO.; SC12E-2200001 TO 2206580  
 VF1100C'85 FRAME NO.; SC121-FA200001 TO FA206845  
 VF1100C'86 ENGINE NO.; SC12E-2300020 TO 2304336  
 VF1100C'86 FRAME NO.; SC120-GM300101 TO GM304425

VF1100C'86 ENGINE NO.; SC12E-2300001 TO 2302532  
 VF1100C'86 FRAME NO.; SC121-GM301306 TO GM302625

# INSTRUMENTS



"CAUTION OR WARNING LABELS MUST BE ORDERED SEPARATELY WHEN APPLICABLE"

F14MB4D02

Ref. No.	BLOCK NO. DESCRIPTION	VF1100C				AREA CODE	FRAME SERIAL NUMBER		QTY REQ	PART NUMBER	HONDA CODE
		1	2	3	4		FROM	TO			
	3 = VF1100C'83 4 = VF1100C'84 5 = VF1100C'85 6 = VF1100C'86	1	1	1	1						
18	BOX ASSY., PILOT			5	6			1	37600-MB4-683	2066819	
19	BOX ASSY., PILOT UPPER	3				A		1	37610-MB4-671	1439165	
20	BOX ASSY., PILOT LOWER		4	5	6			1	37610-MB4-671	1439165	
21	BOX ASSY., PILOT LOWER	3				A		1	37617-MB4-671	1439173	
22	CABLE ASSY., SPEEDOMETER		4	5				1	37617-MB4-671	1439173	
23	CABLE, INNER				6			1	37617-MB4-681	2250587	
24	COVER, LOWER	3				A		1	37618-MB4-671	1439181	
25	SCREW, PAN, 2X6		4	5	6			1	37618-MB4-671	1439181	
26	NUT, INSTRUMENT SETTING	3				A		1	44830-MB4-000	1387836	
			4	5	6			1	44830-MB4-000	1387836	
		3				A		1	44831-MB4-300	1387844	
			4	5	6			1	44831-MB4-300	1387844	
		3				A		1	87523-410-790	0692467	
			4	5	6			1	90102-434-671	1060656	
						A		1	90102-434-671	1060656	
		3				A		1	90303-MB1-610	1716117	
			4	5	6			1	90303-MB1-610	1716117	

Ref. No.	BLOCK NO. DESCRIPTION	VF1100C				AREA CODE	FRAME SERIAL NUMBER		QTY REQ	PART NUMBER	HONDA CODE
		1	2	3	4		FROM	TO			
	3 = VF1100C'83 4 = VF1100C'84 5 = VF1100C'85 6 = VF1100C'86	1	1	1	1						
27	O-RING, 6.8X1.9	3				A		1	91301-027-000	0018044	
			4	5	6			1	91301-027-000	0018044	
	O-RING, 6.8X1.9	3				A		1	91306-PJ4-000	2373447	
			4	5	6			1	91306-PJ4-000	2373447	
	O-RING B, 6.8X1.9	3				A		1	91310-MC7-003	1218569	
			4	5	6			1	91310-MC7-003	1218569	
28	SCREW, PAN, 3X10	3				A		2	93500-03010-06	1089614	
			4	5	6			2	93500-03010-06	1089614	
29	SCREW, PAN, 3X20	3				A		4	93500-03020	0056796	
			4	5	6			4	93500-03020	0056796	
	SCREW, PAN, 3X20	3				A		4	93500-03020-0A	0252171	
			4	5	6			4	93500-03020-0A	0252171	
	SCREW, PAN, 3X20	3				A		4	93500-03020-1A	1458769	
			4	5	6			4	93500-03020-1A	1458769	
30	SCREW, OVAL, 4X8	3				A		4	93700-04008-0B	0412338	
			4	5	6			4	93700-04008-0B	0412338	
31	SCREW, OVAL, 5X20	3				A		1	93700-05020-0G	0768721	
			4	5	6			1	93700-05020-0G	0768721	
32	SCREW-WASHER, 3X12				6			3	93893-03012-18	1825017	
33	SCREW, TAPPING, 3X10	3				A		2	93901-32220	1018290	
			4	5	6			2	93901-32220	1018290	
34	NUT, HEX., 3MM	3				A		2	94001-03000-0S	0166694	
			4	5	6			2	94001-03000-0S	0166694	
35	NUT, HEX., 6MM	3				A		4	94001-06000-0S	0156067	
			4					4	94001-06000-0S	0156067	
	NUT, HEX., 6MM	3				A		4	94001-06200-0S	2043255	
			4					4	94001-06200-0S	2043255	
	NUT, HEX., 6MM			5				4	94002-06000-0S	0181032	
	NUT, CAP, 6MM				6			4	94021-06000-0S	0203620	
	NUT, CAP, 6MM				6			4	94021-06020	0057893	
	NUT, CAP, 6MM				6			4	94021-06020-0S	0169516	
	NUT, CAP, 6MM				6			4	94022-06020	0203109	
36	NUT, HEX., 3MM	3				A		1	94002-03000-0S	1458777	
			4	5	6			1	94002-03000-0S	1458777	
37	NUT, FLANGE, 8MM	3				A		1	94050-08000	0481143	
			4	5	6			1	94050-08000	0481143	
38	WASHER, PLAIN, 6MM	3				A		4	94101-06000	0059071	
			4	5	6			4	94101-06000	0059071	

# CONTENTS

TITLE	PAGE	GRID
AIR CLEANER	156	1-I4
BATTERY	152	1-I2
BRAKE CALIPER, FR.	114	1-G7
BRAKE CALIPER, RR.	124	1-G12
BRAKE CONTROL LEVER	88	1-F6
BRAKE MASTER CYL. FR.	88	1-F6
BRAKE MASTER CYL. RR.	121	1-G10
BRAKE PEDAL	164	1-I8
CABLES	85	1-F4
CANISTER 84-85	202	1-K3
CANISTER 86	204	1-K4
CLUTCH CONTROL LEVER	92	1-F8
CLUTCH MASTER CYLINDER	92	1-F8
DRIVE SHAFT	172	1-I12
FENDER, FR.	105	1-G2
FENDER, RR.	178	1-J3
FINAL DRIVEN GEAR	130	1-H3
FOOTPEGS	166	1-I9
FRAME	196	1-J12
FUEL PUMP	152	1-I2
FUEL TANK	136	1-H6
GEARSHIFT PEDAL	164	1-I8
HANDLEBAR	96	1-F10
HEADLIGHT	78	1-F1
HORN	100	1-F12
IGNITION COIL	188	1-J8
INSTRUMENTS	80	1-F2
MAIN STAND	169	1-I10
MUFFLER	160	1-I6
RADIATOR	191	1-J9
RECTIFIER	144	1-H10
SEAT	141	1-H8
SHOCK ABSORBER	175	1-J1
SHOCK ABSORBER, FR.	106	1-G3
SIDE COVER	144	1-H10
SIDE STAND	169	1-I10
SPARK UNIT	178	1-J3
STEERING STEM	100	1-F12
SWINGARM	172	1-I12
SWITCHES	85	1-F4
TAILLIGHT	185	1-J6
TOOLS	200	1-K2
TOP BRIDGE	96	1-F10
TURN SIGNAL	180	1-J4
WHEEL, FR.	118	1-G9
WHEEL, RR.	127	1-H1
WIRE HARNESS	188	1-J8

VF1100C'83 ENGINE NO.; SC12E-2000039 TO 2018597  
 VF1100C'83 FRAME NO.; SC120-DM000029 TO DM017677  
 VF1100C'84 ENGINE NO.; SC12E-2100001 TO 2116075  
 VF1100C'84 FRAME NO.; SC120-EA100001 TO EA117064

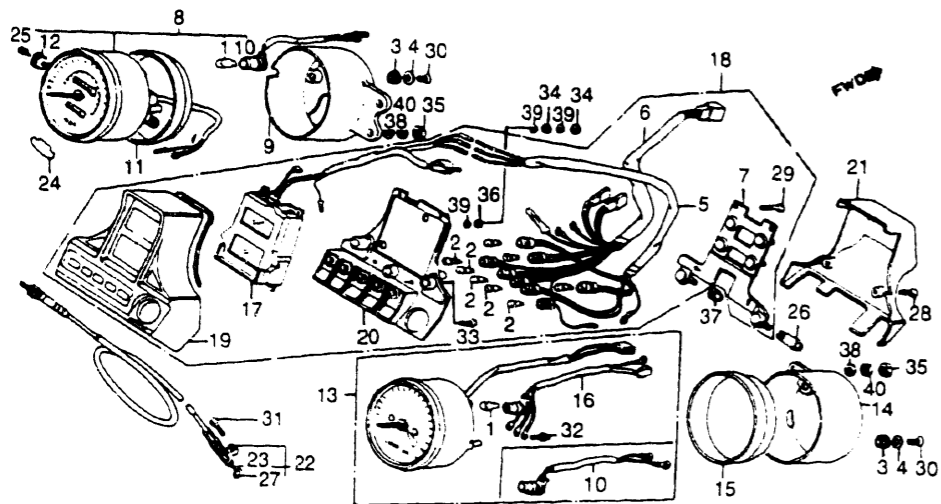
VF1100C'84 ENGINE NO.; SC12E-2102298 TO 2114635  
 VF1100C'84 FRAME NO.; SC121-EA100004 TO EA117067  
 VF1100C'85 ENGINE NO.; SC12E-2200001 TO 2208055  
 VF1100C'85 FRAME NO.; SC120-FA200006 TO FA208465

VF1100C'85 ENGINE NO.; SC12E-2200001 TO 2206580  
 VF1100C'85 FRAME NO.; SC121-FA200001 TO FA206845  
 VF1100C'86 ENGINE NO.; SC12E-2300020 TO 2304336  
 VF1100C'86 FRAME NO.; SC120-GM300101 TO GM304425

VF1100C'86 ENGINE NO.; SC12E-2300001 TO 2302532  
 VF1100C'86 FRAME NO.; SC121-GM301306 TO GM302625



# INSTRUMENTS

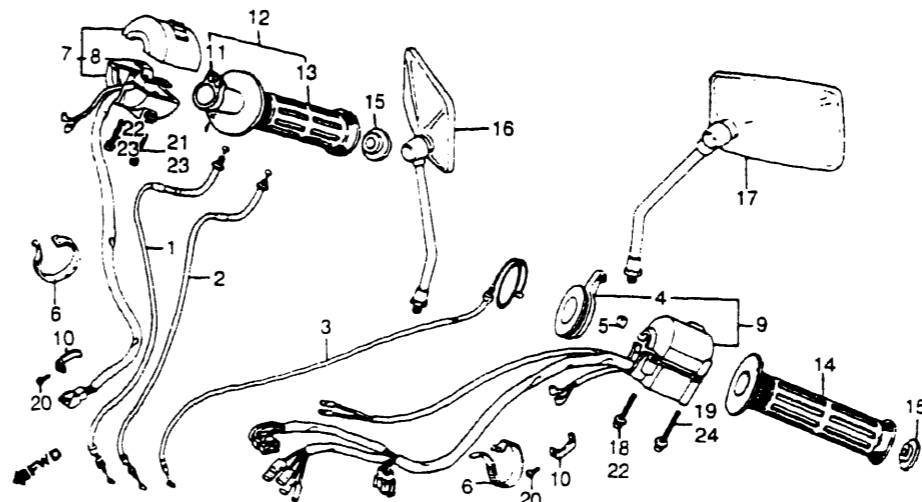


"CAUTION OR WARNING LABELS MUST BE ORDERED SEPARATELY WHEN APPLICABLE"

F14MB4D02

Ref. No.	BLOCK NO. DESCRIPTION	VF1100C				AREA CODE	FRAME SERIAL NUMBER		QTY REQ	PART NUMBER	HONDA CODE
		1	2	3	4		FROM	TO			
	3 = VF1100C'83 4 = VF1100C'84 5 = VF1100C'85 6 = VF1100C'86	1	2	3	4						
38	WASHER, PLAIN, 6MM	3	4	5	6	A			4	94101-06080 94101-06080	3136074 3136074
	WASHER, PLAIN, 6MM	3	4	5	6	A			4	94101-06800 94101-06800	0345900 0345900
39	WASHER, SPRING, 3MM	3	4	5	6	A			3	94111-03800 94111-03800	0285668 0285668
40	WASHER, SPRING, 6MM	3	4	5	6	A			4	94111-06000 94111-06000	0058974 0058974

# SWITCHES • CABLES



F14MB4D03

Ref. No.	BLOCK NO. DESCRIPTION	VF1100C				AREA CODE	FRAME SERIAL NUMBER		QTY REQ	PART NUMBER	HONDA CODE
		1	2	3	4		FROM	TO			
	3 = VF1100C'83 4 = VF1100C'84 5 = VF1100C'85 6 = VF1100C'86	1	2	3	4						
1	CABLE COMP. A, THROTTLE	3	4	5	6	A			1	17910-MB4-000	1386614
	CABLE COMP. A, THROTTLE	3	4	5	6	A			1	17910-MB4-770	1707942
	CABLE COMP. A, THROTTLE	3	4	5	6	A			1	17910-MB4-680	1906528
2	CABLE COMP. B, THROTTLE	3	4	5	6	A			1	17920-MB4-000	1386622
	CABLE COMP. B, THROTTLE	3	4	5	6	A			1	17920-MB4-770	1707959
	CABLE COMP. B, THROTTLE	3	4	5	6	A			1	17920-MB4-680	1852623
3	CABLE COMP., CHOKE	3	4	5	6	A			1	17950-MB4-000	1386630
	CABLE COMP., CHOKE	3	4	5	6	A			1	17950-MB4-750	1707967
	CABLE COMP., CHOKE	3	4	5	6	A			1	17950-MB4-680	1906536
4	LEVER, CHOKE	3	4	5	6	A			1	17962-ME5-000	1375559
	LEVER, CHOKE	3	4	5	6	A			1	17962-ME5-000	1375559
	LEVER, CHOKE	3	4	5	6	A			1	17962-KE8-700	1669324
	LEVER, CHOKE	3	4	5	6	A			1	17962-KE8-701	1741313
5	RUBBER, CHOKE	3	4	5	6	A			1	17963-ME4-000	1707975
6	BAND B1, WIRE	3	4	5	6	A			4	32161-404-000	0468819
	BAND B1, WIRE	3	4	5	6	A			4	32161-404-000	0468819

AMERICAN HONDA MOTOR CO. INC. 1994 85

# CONTENTS

TITLE	PAGE	GRID
AIR CLEANER	156	1-4
BATTERY	152	1-2
BRAKE CALIPER, FR.	114	1-G7
BRAKE CALIPER, RR.	124	1-G12
BRAKE CONTROL LEVER	88	1-F6
BRAKE MASTER CYL. FR.	88	1-F6
BRAKE MASTER CYL. RR.	121	1-G10
BRAKE PEDAL	164	1-I8
CABLES	85	1-F4
CANISTER 84-85	202	1-K3
CANISTER 86	204	1-K4
CLUTCH CONTROL LEVER	92	1-F8
CLUTCH MASTER CYLINDER	92	1-F8
DRIVE SHAFT	172	1-I12
FENDER, FR.	105	1-G2
FENDER, RR.	178	1-J3
FINAL DRIVEN GEAR	130	1-H3
FOOTPEGS	166	1-I9
FRAME	196	1-J12
FUEL PUMP	152	1-I2
FUEL TANK	136	1-H6
GEARSHIFT PEDAL	164	1-I8
HANDLEBAR	96	1-F10
HEADLIGHT	78	1-F1
HORN	100	1-F12
IGNITION COIL	188	1-J8
INSTRUMENTS	80	1-F2
MAIN STAND	169	1-I10
MUFFLER	160	1-I6
RADIATOR	191	1-J9
RECTIFIER	144	1-H10
SEAT	141	1-H8
SHOCK ABSORBER	175	1-J1
SHOCK ABSORBER, FR.	106	1-G3
SIDE COVER	144	1-H10
STEERING STEM	100	1-F12
SWINGARM	172	1-I12
SWITCHES	85	1-F4
TAILLIGHT	185	1-J6
TOOLS	200	1-K2
TOP BRIDGE	96	1-F10
TURN SIGNAL	180	1-J4
WHEEL, FR.	118	1-G9
WHEEL, RR.	127	1-H1
WIRE HARNESS	188	1-J8

VF1100C'83 ENGINE NO.; SC12E-2000039 TO 2018597  
 VF1100C'83 FRAME NO.; SC120-DM000029 TO DM017677  
 VF1100C'84 ENGINE NO.; SC12E-2100001 TO 2116075  
 VF1100C'84 FRAME NO.; SC120-EA100001 TO EA117064

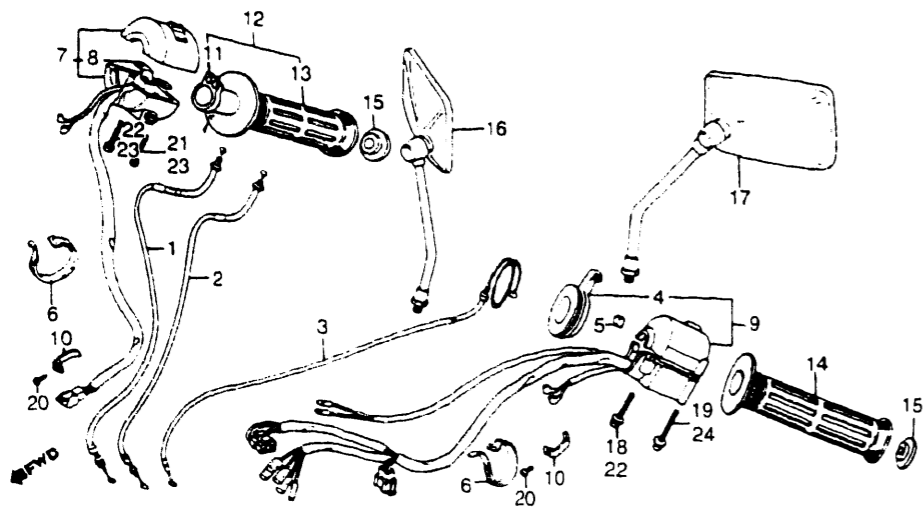
VF1100C'84 ENGINE NO.; SC12E-2102298 TO 2114635  
 VF1100C'84 FRAME NO.; SC121-EA100004 TO EA117067  
 VF1100C'85 ENGINE NO.; SC12E-2200001 TO 2208055  
 VF1100C'85 FRAME NO.; SC120-FA200006 TO FA208465

VF1100C'85 ENGINE NO.; SC12E-2200001 TO 2206580  
 VF1100C'85 FRAME NO.; SC121-FA200001 TO FA206845  
 VF1100C'86 ENGINE NO.; SC12E-2300020 TO 2304336  
 VF1100C'86 FRAME NO.; SC120-GM300101 TO GM304425

VF1100C'86 ENGINE NO.; SC12E-2300001 TO 2302532  
 VF1100C'86 FRAME NO.; SC121-GM301306 TO GM302625



# SWITCHES • CABLES



Ref. No.	BLOCK NO. DESCRIPTION	F-3	VF1100C				AREA CODE	FRAME SERIAL NUMBER		QTY REQ	PART NUMBER	HONDA CODE
			1	1	1	1		FROM	TO			
	3 = VF1100C'83 4 = VF1100C'84 5 = VF1100C'85 6 = VF1100C'86		1	1	1	1						
			9	9	9	9						
			8	8	8	8						
			3	4	5	6						
7	SWITCH ASSY., STARTER/ENGINE STOP	3	---	---	---	---	A	---	---	1	35130-MB4-670 1387463	
	SWITCH ASSY., STARTER/ENGINE STOP	3	---	---	---	---	A	---	---	1	35130-MB4-671 2712503	
	SWITCH ASSY., STARTER/ENGINE STOP	3	---	---	---	---	A	---	---	1	35130-MB4-672 2915072	
	SWITCH ASSY., STARTER/ENGINE STOP	---	4	---	---	---	---	---	---	1	35130-MB4-305 3335627	
	SWITCH ASSY., STARTER/ENGINE STOP	---	4	---	---	---	---	---	---	1	35130-MB4-770 1550060	
	SWITCH ASSY., STARTER/ENGINE STOP	---	---	5	---	---	---	---	---	1	35130-MB4-680 1811249	
	SWITCH ASSY., STARTER/ENGINE STOP	---	---	5	6	---	---	---	---	1	35130-MB4-681 2250546	
8	PLATE, KILL SWITCH SETTING	3	---	---	---	---	A	---	---	1	35152-KE8-702 2132678	
	PLATE, KILL SWITCH SETTING	---	4	5	6	---	---	---	---	1	35152-KE8-702 2132678	
	PLATE, KILL SWITCH SETTING	3	---	---	---	---	A	---	---	1	35152-KE8-703 2457265	
	PLATE, KILL SWITCH SETTING	---	4	5	6	---	---	---	---	1	35152-KE8-703 2457265	
9	SWITCH ASSY., TURN SIGNAL	3	---	---	---	---	A	---	---	1	35200-MB4-670 1387471	
	SWITCH ASSY., TURN SIGNAL	3	---	---	---	---	A	---	---	1	35200-MB4-770 1550078	
	SWITCH ASSY., TURN SIGNAL	---	4	---	---	---	---	---	---	1	35200-MB4-770 1550078	
	SWITCH ASSY., TURN SIGNAL	---	---	5	6	---	---	---	---	1	35200-MB4-681 2035947	
10	CLIP, WIRE	---	4	5	6	---	---	---	---	2	35205-MB0-000 1246818	

86 AMERICAN HONDA MOTOR CO. INC. 1994

VF1100C'83 ENGINE NO.; SC12E-2000039 TO 2018597  
VF1100C'83 FRAME NO.; SC120-DM000029 TO DM017677  
VF1100C'84 ENGINE NO.; SC12E-2100001 TO 2116075  
VF1100C'84 FRAME NO.; SC120-EA100001 TO EA117064

VF1100C'84 ENGINE NO.; SC12E-2102298 TO 2114635  
VF1100C'84 FRAME NO.; SC121-EA100004 TO EA117067  
VF1100C'85 ENGINE NO.; SC12E-2200001 TO 2208055  
VF1100C'85 FRAME NO.; SC120-FA200006 TO FA208465

1-F5

Ref. No.	BLOCK NO. DESCRIPTION	F-3	VF1100C				AREA CODE	FRAME SERIAL NUMBER		QTY REQ	PART NUMBER	HONDA CODE
			1	1	1	1		FROM	TO			
			1	1	1	1						
			9	9	9	9						
			8	8	8	8						
			3	4	5	6						
11	PIPE, THROTTLE GRIP	3	---	---	---	---	A	---	---	1	53141-300-010 0237586	
	PIPE, THROTTLE GRIP	---	4	5	---	---	---	---	---	1	53141-300-010 0237586	
12	GRIP COMP., R. HANDLEBAR	---	---	---	6	---	---	---	---	1	53141-MK3-300 2056117	
13	GRIP, R. HANDLEBAR	3	---	---	---	---	A	---	---	1	53145-MK3-000 2061851	
	GRIP, R. HANDLEBAR	---	4	5	---	---	---	---	---	1	53165-MB1-000 1249788	
	GRIP, R. HANDLEBAR	---	---	---	6	---	---	---	---	1	53165-MB1-000 1249788	
	GRIP, R. HANDLEBAR	---	---	---	6	---	---	---	---	1	53168-MK3-305 2098002	
	GRIP, R. HANDLEBAR	---	---	---	6	---	---	---	---	1	53168-MK3-315 2391266	
14	GRIP, L. HANDLEBAR	3	---	---	---	---	A	---	---	1	53166-MB1-000 1249796	
	GRIP SET, L. HANDLEBAR	---	4	5	---	---	---	---	---	1	53166-MB1-000 1249796	
	GRIP SET, L. HANDLEBAR	---	---	---	6	---	---	---	---	1	53167-MK3-325 2391258	
15	CAP, GRIP RUBBER	3	---	---	---	---	A	---	---	2	53171-MB1-000 1249804	
	CAP, GRIP RUBBER	---	4	5	6	---	---	---	---	2	53171-MB1-000 1249804	
16	MIRROR, R.	3	---	---	---	---	A	---	---	1	88110-MB4-003 1390541	
	MIRROR, R.	3	---	---	---	---	A	---	---	1	88110-MB4-013 2295970	
	MIRROR, R.	---	4	5	---	---	---	---	---	1	88110-MB1-701 1292051	
	MIRROR, R.	---	4	5	6	---	---	---	---	1	88110-MB1-702 2094761	
17	MIRROR, L.	3	---	---	---	---	A	---	---	1	88120-MB4-003 1390558	
	MIRROR, L.	3	---	---	---	---	A	---	---	1	88120-MB4-013 2754224	
	MIRROR, L.	---	4	5	---	---	---	---	---	1	88120-MB1-701 1292069	
	MIRROR, L.	---	4	5	6	---	---	---	---	1	88120-MB1-702 2094779	
18	SCREW-WASHER, 4X30	3	---	---	---	---	A	---	---	2	90120-MB4-000 1388792	
	SCREW-WASHER, 4X30	---	4	---	---	---	---	---	---	2	90120-MB4-000 1388792	
19	SCREW-WASHER, 4X50	3	---	---	---	---	A	---	---	1	90892-MB0-000 1251412	
	SCREW-WASHER, 4X50	---	4	---	---	---	---	---	---	1	90892-MB0-000 1251412	
20	SCREW, PAN, 4X8	---	4	5	6	---	---	---	---	2	93500-04008-06 0373308	
21	SCREW-WASHER, 5X20	---	---	5	6	---	---	---	---	1	93892-05020-07 1078351	
22	SCREW-WASHER, 5X28	---	---	5	6	---	---	---	---	2	93892-05028-07 0692673	
23	SCREW-WASHER, 5X32	3	---	---	---	---	A	---	---	2	93892-05032-07 1672070	
	SCREW-WASHER, 5X32	---	4	---	---	---	---	---	---	2	93892-05032-07 1672070	
24	SCREW-WASHER, 5X45	---	---	5	6	---	---	---	---	1	93892-05045-07 0692699	

AMERICAN HONDA MOTOR CO. INC. 1994 87

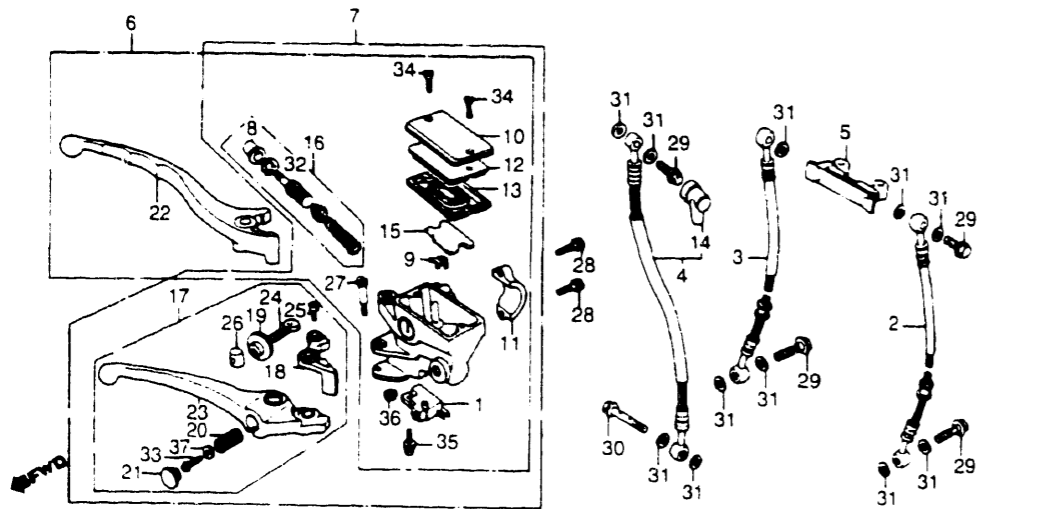
VF1100C'85 ENGINE NO.; SC12E-2200001 TO 2206580  
VF1100C'85 FRAME NO.; SC121-FA200001 TO FA206845  
VF1100C'86 ENGINE NO.; SC12E-2300020 TO 2304336  
VF1100C'86 FRAME NO.; SC120-GM300101 TO GM304425

VF1100C'86 ENGINE NO.; SC12E-2300001 TO 2302532  
VF1100C'86 FRAME NO.; SC121-GM301306 TO GM302625

# CONTENTS

TITLE	PAGE	GRID
AIR CLEANER	156	1-I4
BATTERY	152	1-I2
BRAKE CALIPER, FR.	114	1-G7
BRAKE CALIPER, RR.	124	1-G12
BRAKE CONTROL LEVER	88	1-F6
BRAKE MASTER CYL. FR.	88	1-F6
BRAKE MASTER CYL. RR.	121	1-G10
BRAKE PEDAL	164	1-I8
CABLES	85	1-F4
CANISTER 84-85	202	1-K3
CANISTER 86	204	1-K4
CLUTCH CONTROL LEVER	92	1-F8
CLUTCH MASTER CYLINDER	92	1-F8
DRIVE SHAFT	172	1-I12
FENDER, FR.	105	1-G2
FENDER, RR.	178	1-J3
FINAL DRIVEN GEAR	130	1-H3
FOOTPEGS	166	1-I9
FRAME	196	1-J12
FUEL PUMP	152	1-I2
FUEL TANK	136	1-H6
GEARSHIFT PEDAL	164	1-I8
HANDLEBAR	96	1-F10
HEADLIGHT	78	1-F1
HORN	100	1-F12
IGNITION COIL	188	1-J8
INSTRUMENTS	80	1-F2
MAIN STAND	169	1-I10
MUFFLER	160	1-I6
RADIATOR	191	1-J9
RECTIFIER	144	1-H10
SEAT	141	1-H8
SHOCK ABSORBER	175	1-J1
SHOCK ABSORBER, FR.	106	1-G3
SIDE COVER	144	1-H10
SIDE STAND	169	1-I10
SPARK UNIT	178	1-J3
STEERING STEM	100	1-F12
SWINGARM	172	1-I12
SWITCHES	85	1-F4
TAILLIGHT	185	1-J6
TOOLS	200	1-K2
TOP BRIDGE	96	1-F10
TURN SIGNAL	180	1-J4
WHEEL, FR.	118	1-G9
WHEEL, RR.	127	1-H1
WIRE HARNESS	188	1-J8

# FRONT BRAKE MASTER CYL • BRAKE CONTROL LEVER



Ref No	BLOCK NO DESCRIPTION	VF1100C				AREA CODE	FRAME SERIAL NUMBER		QTY REQ	PART NUMBER	HONDA CODE
		1	9	8	3		FROM	TO			
		1	9	8	3						
		3	4	5	6						
1	SWITCH ASSY., FR. STOP	3	---	---	---	A	---	---	1	35340-MA5-671 0952267	
	SWITCH ASSY., FR. STOP	---	4	5	6	A	---	---	1	35340-ML7-000 2409803	
	SWITCH ASSY., FR. STOP	---	4	5	6	A	---	---	1	35340-MM5-600 2542421	
2	HOSE, L. FR. BRAKE	3	---	---	---	A	---	---	1	45124-MB4-003 1387901	
	HOSE, L. FR. BRAKE	---	4	5	6	A	---	---	1	45124-MB4-013 1811470	
3	HOSE, R. FR. BRAKE	3	---	---	---	A	---	---	1	45125-MB4-003 1387919	
	HOSE, R. FR. BRAKE	---	4	5	6	A	---	---	1	45125-MB4-013 1811488	
4	HOSE B, FR. BRAKE	3	---	---	---	A	---	---	1	45126-MB4-003 1387927	
	HOSE B, FR. BRAKE	---	4	5	6	A	---	---	1	45126-MB4-013 2107449	
	HOSE B, FR. BRAKE	---	4	5	---	A	---	---	1	45126-MB4-770 1557271	
	HOSE B, FR. BRAKE	---	4	5	6	A	---	---	1	45126-MB4-771 2250686	

Ref No	BLOCK NO DESCRIPTION	VF1100C				AREA CODE	FRAME SERIAL NUMBER		QTY REQ	PART NUMBER	HONDA CODE
		1	9	8	3		FROM	TO			
		1	9	8	3						
		3	4	5	6						
5	JOINT, TWO WAY	3	---	---	---	A	---	---	1	45127-MB1-000 1248277	
	JOINT, TWO WAY	---	4	5	6	A	---	---	1	45127-MB1-000 1248277	
6	CYLINDER ASSY., FR. BRAKE MASTER	3	---	---	---	A	---	---	1	45500-MB4-671 1387976	
	CYLINDER ASSY., FR. BRAKE MASTER	---	4	5	6	A	---	---	1	45500-MB4-672 1547264	
	CYLINDER ASSY., FR. BRAKE MASTER	---	4	5	6	A	---	---	1	45500-MB4-673 1666874	
	CYLINDER SUB ASSY., FR. BRAKE	3	---	---	---	A	---	---	1	45510-MB4-405 4428579	
	CYLINDER ASSY., FR. BRAKE MASTER	---	4	5	6	A	---	---	1	45500-MB4-771 1550110	
7	CYLINDER ASSY., FR. BRAKE MASTER	---	---	5	6	A	---	---	1	45500-MJ4-006 1811496	
	CYLINDER ASSY., FR. BRAKE MASTER	---	4	5	6	A	---	---	1	45504-410-003 1211820	
	CYLINDER ASSY., FR. BRAKE MASTER	---	4	5	6	A	---	---	1	45504-410-003 1211820	
9	PROTECTOR	3	---	---	---	A	---	---	1	45512-MA6-006 1235688	
	PROTECTOR	---	4	5	6	A	---	---	1	45512-MA6-006 1235688	
10	CAP, MASTER CYLINDER	3	---	---	---	A	---	---	1	45513-MB4-671 1384825	
	CAP, MASTER CYLINDER	---	4	5	6	A	---	---	1	45513-MB4-672 1547249	
	CAP, MASTER CYLINDER	3	---	---	---	A	---	---	1	45540-MB4-671 1666882	
	CAP, MASTER CYLINDER	---	4	5	6	A	---	---	1	45540-MB4-671 1666882	
11	HOLDER, MASTER CYLINDER	3	---	---	---	A	---	---	1	45517-MB0-006 1235738	
	HOLDER, MASTER CYLINDER	---	4	5	6	A	---	---	1	45517-MB0-006 1235738	
12	PLATE, DIAPHRAGM	---	4	5	6	A	---	---	1	45518-MB4-671 1666890	
13	DIAPHRAGM	3	---	---	---	A	---	---	1	45520-MA5-671 0952358	
	DIAPHRAGM	---	4	5	6	A	---	---	1	45520-MA5-672 1547256	
	DIAPHRAGM	---	4	5	6	A	---	---	1	45520-MA5-672 1547256	
14	BOOT, MASTER CYLINDER	3	---	---	---	A	---	---	1	45522-422-000 0692822	
	BOOT, MASTER CYLINDER	---	4	5	6	A	---	---	1	45522-422-000 0692822	
15	FLOAT, MASTER CYLINDER	---	4	5	---	A	---	---	1	45523-MB4-771 1765817	
16	CYLINDER SET, MASTER	3	---	---	---	A	---	---	1	45530-MA5-671 0952366	
	CYLINDER SET, MASTER	---	4	5	6	A	---	---	1	45530-MA5-671 0952366	
17	LEVER COMP., R. HANDLEBAR	---	---	5	6	A	---	---	1	53170-MJ4-006 1811512	
18	KNOCKER, MASTER CYLINDER	---	---	5	6	A	---	---	1	53171-MJ4-006 1815836	
19	ADJUSTER, R. CONTROL LEVER	---	---	5	6	A	---	---	1	53172-MJ4-006 1811538	
20	SPRING, CONTROL LEVER	---	---	5	6	A	---	---	1	53173-MJ4-006 1811546	
21	CAP, CONTROL LEVER	---	---	5	6	A	---	---	1	53174-MJ4-006 1811553	
22	LEVER, R. HANDLEBAR	3	---	---	---	A	DM001949	---	1	53175-KE8-006 1435320	
	LEVER, R. HANDLEBAR	---	4	5	6	A	---	---	1	53175-KE8-006 1435320	
	CONTROL LEVER, R. HANDLEBAR	3	---	---	---	A	---	DM001948	1	53175-MB0-006 1236421	

CONTENTS		
TITLE	PAGE	GRID
AIR CLEANER	156	1-I4
BATTERY	152	1-I2
BRAKE CALIPER, FR.	114	1-G7
BRAKE CALIPER, RR.	124	1-G12
BRAKE CONTROL LEVER	88	1-F6
BRAKE MASTER CYL., FR.	88	1-F6
BRAKE MASTER CYL., RR.	121	1-G10
BRAKE PEDAL	164	1-I8
CABLES	85	1-F4
CANISTER 84-85	202	1-K3
CANISTER 86	204	1-K4
CLUTCH CONTROL LEVER	92	1-F8
CLUTCH MASTER CYLINDER	92	1-F8
DRIVE SHAFT	172	1-I12
FENDER, FR.	105	1-G2
FENDER, RR.	178	1-J3
FINAL DRIVEN GEAR	130	1-H3
FOOTPEGS	166	1-I9
FRAME	196	1-J12
FUEL PUMP	152	1-I2
FUEL TANK	136	1-H6
GEARSHIFT PEDAL	164	1-I8
HANDLEBAR	96	1-F10
HEADLIGHT	78	1-F1
HORN	100	1-F12
IGNITION COIL	188	1-J8
INSTRUMENTS	80	1-F2
MAIN STAND	169	1-I10
MUFFLER	160	1-I6
RADIATOR	191	1-J9
RECTIFIER	144	1-H10
SEAT	141	1-H8
SHOCK ABSORBER	175	1-J1
SHOCK ABSORBER, FR.	106	1-G3
SIDE COVER	144	1-H10
SIDE STAND	169	1-I10
SPARK UNIT	178	1-J3
STEERING STEM	100	1-F12
SWINGARM	172	1-I12
SWITCHES	85	1-F4
TAILLIGHT	185	1-J6
TOOLS	200	1-K2
TOP BRIDGE	96	1-F10
TURN SIGNAL	180	1-J4
WHEEL, FR.	118	1-G9
WHEEL, RR.	127	1-H1
WIRE HARNESS	188	1-J8

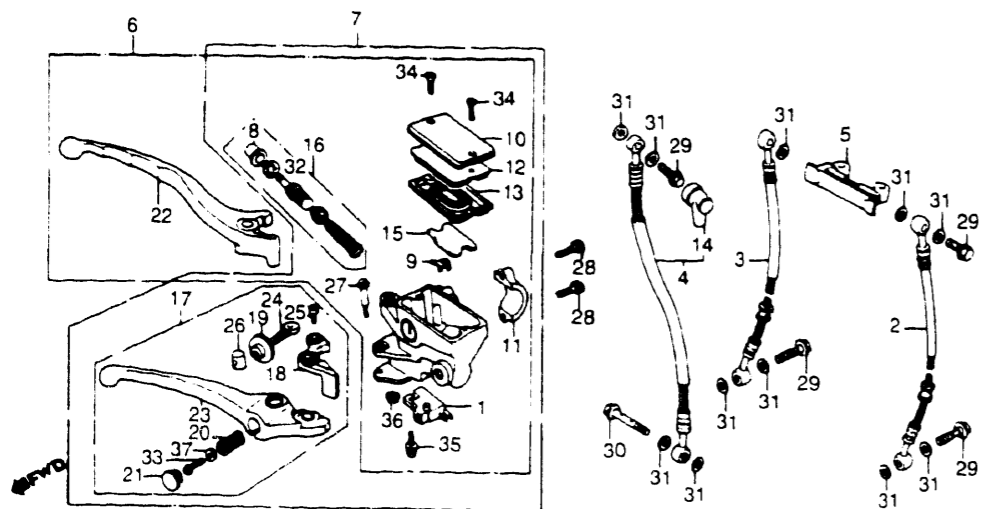
VF1100C'83 ENGINE NO.; SC12E-2000039 TO 2018597  
 VF1100C'83 FRAME NO.; SC120-DM000029 TO DM017677  
 VF1100C'84 ENGINE NO.; SC12E-2100001 TO 2116075  
 VF1100C'84 FRAME NO.; SC120-EA100001 TO EA117064

VF1100C'84 ENGINE NO.; SC12E-2102298 TO 2114635  
 VF1100C'84 FRAME NO.; SC121-EA100004 TO EA117067  
 VF1100C'85 ENGINE NO.; SC12E-2200001 TO 2208055  
 VF1100C'85 FRAME NO.; SC120-FA200006 TO FA208465

VF1100C'85 ENGINE NO.; SC12E-2200001 TO 2206580  
 VF1100C'85 FRAME NO.; SC121-FA200001 TO FA206845  
 VF1100C'86 ENGINE NO.; SC12E-2300020 TO 2304336  
 VF1100C'86 FRAME NO.; SC120-GM300101 TO GM304425

VF1100C'86 ENGINE NO.; SC12E-2300001 TO 2302532  
 VF1100C'86 FRAME NO.; SC121-GM301306 TO GM302625

# FRONT BRAKE MASTER CYL • BRAKE CONTROL LEVER



F14MB4D04

Ref No	BLOCK NO DESCRIPTION	F-4	VF1100C				AREA CODE	FRAME SERIAL NUMBER		QTY REQ	PART NUMBER	HONDA CODE
			1	1	1	1		FROM	TO			
	3 = VF1100C'83		1	1	1	1						
	4 = VF1100C'84		8	8	8	8						
	5 = VF1100C'85		3	4	5	6						
	6 = VF1100C'86											
22	HANDLEBAR, COMP., R.	3	---	---	---	---	A	DM001949	-----	1	53175-MJ6-006	1776590
			---	4	---	---				1	53175-MJ6-006	1776590
23	CONTROL LEVER, R. HANDLEBAR		---	---	5	6				1	53175-MJ4-006	1815844
24	BOLT, ADJUSTING		---	---	5	6				1	53176-MJ4-016	1982529
25	BOLT, CONTROL LEVER SOCKET, 5X5		---	---	5	6				1	53177-MJ4-006	1811579
26	JOINT, CONTROL LEVER		---	---	5	6				1	53179-MJ4-016	1982537
27	BOLT, R. HANDLEBAR PIVOT	3	---	---	---	---	A			1	90114-MA5-671	0952416
			---	4	5	6				1	90114-MA5-671	0952416
28	BOLT, SOCKET, 6X23	3	---	---	---	---	A			2	90117-MB0-000	1237072
			---	4	---	---				2	90117-MB0-000	1237072
			---	---	5	---	A		FA208180	2	90117-MB0-000	1237072
			---	---	5	---	AC			2	90117-MB0-000	1237072
	BOLT, SOCKET, 6X22		---	---	5	---	A	FA208181	-----	2	96700-06022-17	2044956
			---	---	6	---				2	96700-06022-17	2044956
29	BOLT, OIL, 10X22	3	---	---	---	---	A			4	90145-KE8-000	1310994
			---	4	---	---				4	90145-KE8-000	1310994
	BOLT, OIL, 10X22	3	---	---	---	---	A			4	90145-KM3-750	2072775
			---	4	5	6				4	90145-KM3-750	2072775

VF1100C'83 ENGINE NO.; SC12E-2000039 TO 2018597  
 VF1100C'83 FRAME NO.; SC120-DM000029 TO DM017677  
 VF1100C'84 ENGINE NO.; SC12E-2100001 TO 2116075  
 VF1100C'84 FRAME NO.; SC120-EA100001 TO EA117064

VF1100C'84 ENGINE NO.; SC12E-2102298 TO 2114635  
 VF1100C'84 FRAME NO.; SC121-EA100004 TO EA117067  
 VF1100C'85 ENGINE NO.; SC12E-2200001 TO 2208055  
 VF1100C'85 FRAME NO.; SC120-FA200006 TO FA208465

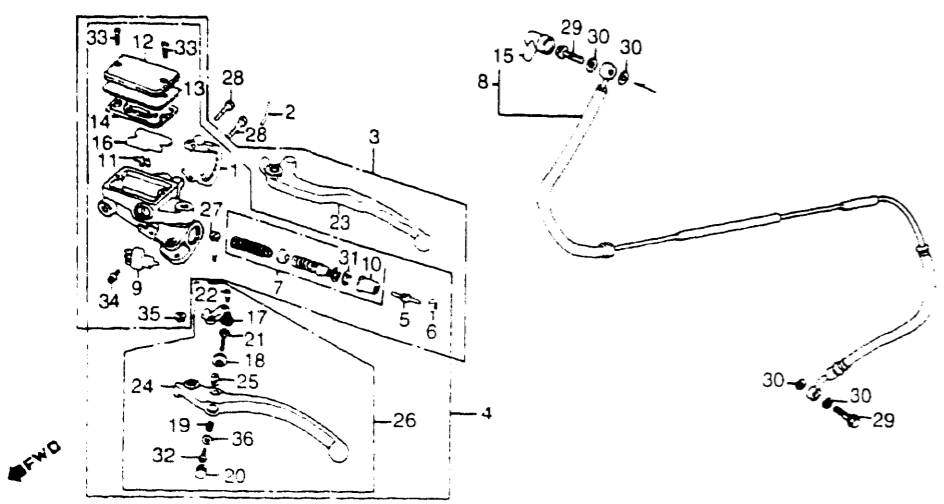
Ref No	BLOCK NO DESCRIPTION	F-4	VF1100C				AREA CODE	FRAME SERIAL NUMBER		QTY REQ	PART NUMBER	HONDA CODE
			1	1	1	1		FROM	TO			
	3 = VF1100C'83		1	1	1	1						
	4 = VF1100C'84		8	8	8	8						
	5 = VF1100C'85		3	4	5	6						
	6 = VF1100C'86											
29	BOLT, OIL, 10X22		3	---	---	---	A			4	90145-VM0-000	1787043
			---	4	---	---				4	90145-VM0-000	1787043
	BOLT, OIL, 10X22		3	---	---	---	A			4	90145-961-010	1792548
			---	4	5	6				4	90145-961-010	1792548
30	BOLT, OIL, 10X34		3	---	---	---	A			1	90145-MG5-670	1311000
			---	4	---	---				1	90145-MG5-670	1311000
	BOLT, OIL, 10X34		---	---	5	6				1	90145-MB0-010	1792530
31	WASHER, OIL BOLT		3	---	---	---	A			11	90545-300-000	0189902
			---	4	5	6				11	90545-300-000	0189902
32	CIRCLIP		3	---	---	---	A			1	90651-MA5-671	1251404
			---	4	5	6				1	9065 MA5-671	1251404
33	SCREW, PAN, 3X6		---	---	5	6				1	93500-03006-0A	0166652
34	SCREW, FLAT, 4X12		3	---	---	---	A			2	93600-04012-0G	1218601
			---	4	5	6				2	93600-04012-0G	1218601
	SCREW, FLAT, 4X12		3	---	---	---	A			2	93600-04012-1G	1237346
			---	4	5	6				2	93600-04012-1G	1237346
35	SCREW-WASHER, 4X12		3	---	---	---	A			1	93893-04012-08	0677989
			---	4	5	6				1	93893-04012-08	0677989
	SCREW-WASHER, 4X12		3	---	---	---	A			1	93893-04012-18	0954412
			---	4	5	6				1	93893-04012-18	0954412
36	NUT, FLANGE, 6MM		3	---	---	---	A			1	94050-06000	0471623
			---	4	---	---				1	94050-06000	0471623
	NUT, CAP, 6MM		---	---	5	6				1	90201-415-000	0670729
37	WASHER, FLAT, 3MM		---	---	5	6				1	94101-03800	0374710

VF1100C'85 ENGINE NO.; SC12E-2200001 TO 2206580  
 VF1100C'85 FRAME NO.; SC121-FA200001 TO FA206845  
 VF1100C'86 ENGINE NO.; SC12E-2300020 TO 2304336  
 VF1100C'86 FRAME NO.; SC120-GM300101 TO GM304425

VF1100C'86 ENGINE NO.; SC12E-2300001 TO 2302532  
 VF1100C'86 FRAME NO.; SC121-GM301306 TO GM302625

CONTENTS		
TITLE	PAGE	GRID
AIR CLEANER	156	1-14
BATTERY	152	1-12
BRAKE CALIPER, FR.	114	1-G7
BRAKE CALIPER, RR.	124	1-G12
BRAKE CONTROL LEVER	88	1-F6
BRAKE MASTER CYL. FR.	88	1-F6
BRAKE MASTER CYL. RR.	121	1-G10
BRAKE PEDAL	164	1-I8
CABLES	85	1-F4
CANISTER 84-85	202	1-K3
CANISTER 86	204	1-K4
CLUTCH CONTROL LEVER	92	1-F8
CLUTCH MASTER CYLINDER	92	1-F8
DRIVE SHAFT	172	1-I12
FENDER, FR.	105	1-G2
FENDER, RR.	178	1-J3
FINAL DRIVEN GEAR	130	1-H3
FOOTPEGS	166	1-I9
FRAME	196	1-J12
FUEL PUMP	152	1-I2
FUEL TANK	136	1-H6
GEARSHIFT PEDAL	164	1-I8
HANDLEBAR	96	1-F10
HEADLIGHT	78	1-F1
HORN	100	1-F12
IGNITION COIL	188	1-J8
INSTRUMENTS	80	1-F2
MAIN STAND	169	1-I10
MUFFLER	160	1-I6
RADIATOR	191	1-J9
RECTIFIER	144	1-H10
SEAT	141	1-H8
SHOCK ABSORBER	175	1-J1
SHOCK ABSORBER, FR.	106	1-G3
SIDE COVER	144	1-H10
SIDE STAND	169	1-I10
SPARK UNIT	178	1-J3
STEERING STEM	100	1-F12
SWINGARM	172	1-I12
SWITCHES	85	1-F4
TAILLIGHT	185	1-J6
TOOLS	200	1-K2
TOP BRIDGE	96	1-F10
TURN SIGNAL	180	1-J4
WHEEL, FR.	118	1-G9
WHEEL, RR.	127	1-H1
WIRE HARNESS	188	1-J8

# CLUTCH MASTER CYLINDER • CLUTCH CONTROL LEVER



F14MB4D05

Ref. No.	BLOCK NO. DESCRIPTION	F-5	VF1100C				AREA CODE	FRAME SERIAL NUMBER		QTY REQ	PART NUMBER	HONDA CODE
			1	1	1	1		FROM	TO			
	3 = VF1100C'83		1	1	1	1						
	4 = VF1100C'84		9	9	9	9						
	5 = VF1100C'85		8	8	8	8						
	6 = VF1100C'86		3	4	5	6						
1	HOLDER, CHOKE LEVER	3	---	---	---	---	A	---	---	1	17963-ME5-000 17963-ME5-000	1375567 1375567
	HOLDER, MASTER CYLINDER	---	4	---	---	---		---	---	1	45517-MB0-006	1235738
2	MARK, CHOKE	3	---	---	---	---	A	---	---	1	17965-MB0-300 17965-MB0-300	1245166 1245166
3	CYLINDER ASSY., CLUTCH MASTER	3	---	---	---	---	A	---	---	1	22880-MB4-671	1384650
	CYLINDER ASSY., CLUTCH MASTER	3	---	---	---	---	A	---	---	1	22880-MB4-673	1670835
	CYLINDER ASSY., FR. CLUTCH MASTER	---	4	---	---	---		---	---	1	22880-MB4-771	1550029
4	CYLINDER ASSY., CLUTCH MASTER	---	5	6	---	---		---	---	1	22880-MB4-681	1811140
5	ROD, PUSH	3	---	---	---	---	A	---	---	1	22884-MB0-006 22884-MB0-006	1245729 1245729
6	BUSH	3	---	---	---	---	A	---	---	1	22885-MB0-006 22885-MB0-006	1245737 1245737
7	PISTON SET, CLUTCH MASTER CYLINDER	3	---	---	---	---	A	---	---	1	22886-MB4-305 22886-MB4-305	1537430 1537430
8	PIPE ASSY., CLUTCH	3	---	---	---	---	A	---	---	1	22900-MB4-003	1457555
	PIPE ASSY., CLUTCH	3	---	---	---	---	A	---	---	1	22900-MB4-013	1996156

Ref. No.	BLOCK NO. DESCRIPTION	F-5	VF1100C				AREA CODE	FRAME SERIAL NUMBER		QTY REQ	PART NUMBER	HONDA CODE
			1	1	1	1		FROM	TO			
	3 = VF1100C'83		1	1	1	1						
	4 = VF1100C'84		9	9	9	9						
	5 = VF1100C'85		8	8	8	8						
	6 = VF1100C'86		3	4	5	6						
8	PIPE ASSY., CLUTCH	3	---	---	---	---	A	---	---	1	22900-MB4-023	2582054
	PIPE ASSY., CLUTCH	---	4	5	6	---		---	---	1	22900-MB4-770	1550045
9	SWITCH ASSY., CLUTCH	3	---	---	---	---	A	---	---	1	35330-MB0-003	1246859
	SWITCH ASSY., CLUTCH	---	4	5	6	---		---	---	1	35330-MB0-003	1246859
10	BOOT COMP.	3	---	---	---	---	A	---	---	1	45504-410-003	1211820
	BOOT COMP.	---	4	5	6	---		---	---	1	45504-410-003	1211820
11	PROTECTOR	3	---	---	---	---	A	---	---	1	45512-MA6-006	1235688
	PROTECTOR	---	4	5	6	---		---	---	1	45512-MA6-006	1235688
12	CAP, MASTER CYLINDER	3	---	---	---	---	A	---	---	1	45513-MB4-671	1384825
	CAP, MASTER CYLINDER	3	---	---	---	---	A	---	---	1	45513-MB4-672	1547249
	CAP, MASTER CYLINDER	3	---	---	---	---	A	---	---	1	45540-MB4-671 45540-MB4-671	1666882 1666882
	CAP, MASTER CYLINDER	---	4	5	6	---		---	---	1	45540-MB4-671	1666882
13	PLATE, DIAPHRAGM	---	4	5	6	---		---	---	1	45518-MB4-671	1666890
14	DIAPHRAGM	3	---	---	---	---	A	---	---	1	45520-MA5-671	0952358
	DIAPHRAGM	3	---	---	---	---	A	---	---	1	45520-MA5-672 45520-MA5-672	1547256 1547256
	DIAPHRAGM	---	4	5	6	---		---	---	1	45520-MA5-672	1547256
15	BOOT, MASTER CYLINDER	3	---	---	---	---	A	---	---	1	45522-422-000 45522-422-000	0692822 0692822
	BOOT, MASTER CYLINDER	---	4	5	6	---		---	---	1	45522-422-000	0692822
16	FLOAT, MASTER CYLINDER	---	4	5	---	---		---	---	1	45523-MB4-771	1765817
17	KNOCKER, CLUTCH	---	5	6	---	---		---	---	1	53171-MB4-681	1811520
18	ADJUSTER, R. CONTROL LEVER	---	5	6	---	---		---	---	1	53172-MJ4-006	1811538
19	SPRING, CONTROL LEVER	---	5	6	---	---		---	---	1	53173-MJ4-006	1811546
20	CAP, CONTROL LEVER	---	5	6	---	---		---	---	1	53174-MJ4-006	1811553
21	BOLT, ADJUSTING	---	5	6	---	---		---	---	1	53176-MJ4-016	1982529
22	BOLT, CONTROL LEVER SOCKET, 5X5	---	5	6	---	---		---	---	1	53177-MJ4-006	1811579
23	LEVER COMP., L. HANDLEBAR	3	---	---	---	---	A	DM001949	---	1	53178-KE8-006 53178-KE8-006	1373992 1373992
	LEVER COMP., L. HANDLEBAR	---	4	---	---	---		---	---	1	53178-KE8-006	1373992
	CONTROL LEVER, L. HANDLEBAR	3	---	---	---	---	A	DM001948	---	1	53178-MB0-006	1249820
24	CONTROL LEVER, L. HANDLEBAR	---	5	6	---	---		---	---	1	53178-MB4-681	1811587
25	JOINT, CONTROL LEVER	---	5	6	---	---		---	---	1	53179-MJ4-016	1982537
26	CONTROL LEVER ASSY., L. HANDLEBAR	---	5	6	---	---		---	---	1	53180-MB4-681	1982545
27	BOLT, R. HANDLEBAR PIVOT	3	---	---	---	---	A	---	---	1	90114-MA5-671 90114-MA5-671	0952416 0952416
	BOLT, R. HANDLEBAR PIVOT	---	4	5	6	---		---	---	1	90114-MA5-671	0952416

# CONTENTS

TITLE	PAGE	GRID
AIR CLEANER	156	1-I4
BATTERY	152	1-I2
BRAKE CALIPER, FR.	114	1-G7
BRAKE CALIPER, RR.	124	1-G12
BRAKE CONTROL LEVER	88	1-F6
BRAKE MASTER CYL. FR.	88	1-F6
BRAKE MASTER CYL. RR.	121	1-G10
BRAKE PEDAL	164	1-I8
CABLES	85	1-F4
CANISTER 84-85	202	1-K3
CANISTER 86	204	1-K4
CLUTCH CONTROL LEVER	92	1-F8
CLUTCH MASTER CYLINDER	92	1-F8
DRIVE SHAFT	172	1-I12
FENDER, FR.	105	1-G2
FENDER, RR.	178	1-J3
FINAL DRIVEN GEAR	130	1-H3
FOOTPEGS	166	1-I9
FRAME	196	1-J12
FUEL PUMP	152	1-I2
FUEL TANK	136	1-H6
GEARSHIFT PEDAL	164	1-I8
HANDLEBAR	96	1-F10
HEADLIGHT	78	1-F1
HORN	100	1-F12
IGNITION COIL	188	1-J8
INSTRUMENTS	80	1-F2
MAIN STAND	169	1-I10
MUFFLER	160	1-I6
RADIATOR	191	1-J9
RECTIFIER	144	1-H10
SEAT	141	1-H8
SHOCK ABSORBER	175	1-J1
SHOCK ABSORBER FR.	106	1-G3
SIDE COVER	144	1-H10
SIDE STAND	169	1-I10
SPARK UNIT	178	1-J3
STEERING STEM	100	1-F12
SWINGARM	172	1-I12
SWITCHES	85	1-F4
TAILLIGHT	185	1-J6
TOOLS	200	1-K2
TOP BRIDGE	96	1-F10
TURN SIGNAL	180	1-J4
WHEEL FR.	118	1-G9
WHEEL RR.	127	1-H1
WIRE HARNESS	188	1-J8

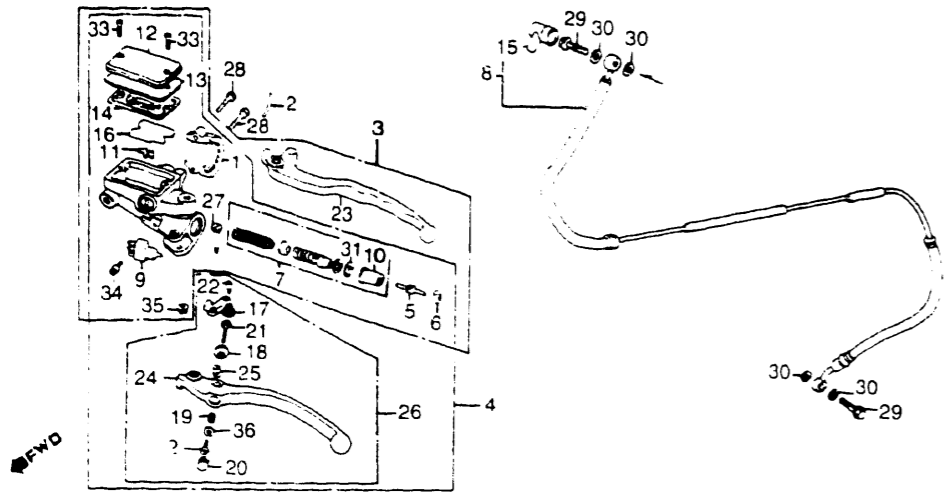
VF1100C'83 ENGINE NO.; SC12E-2000039 TO 2018597  
 VF1100C'83 FRAME NO.; SC120-DM000029 TO DM017677  
 VF1100C'84 ENGINE NO.; SC12E-2100001 TO 2116075  
 VF1100C'84 FRAME NO.; SC120-EA100001 TO EA117064

VF1100C'84 ENGINE NO.; SC12E-2102298 TO 2114635  
 VF1100C'84 FRAME NO.; SC121-EA100004 TO EA117067  
 VF1100C'85 ENGINE NO.; SC12E-2200001 TO 2208055  
 VF1100C'85 FRAME NO.; SC120-FA200006 TO FA208465

VF1100C'85 ENGINE NO.; SC12E-2200001 TO 2206580  
 VF1100C'85 FRAME NO.; SC121-FA200001 TO FA206845  
 VF1100C'86 ENGINE NO.; SC12E-2300020 TO 2304336  
 VF1100C'86 FRAME NO.; SC120-GM300101 TO GM304425

VF1100C'86 ENGINE NO.; SC12E-2300001 TO 2302532  
 VF1100C'86 FRAME NO.; SC121-GM301306 TO GM302625

# CLUTCH MASTER CYLINDER • CLUTCH CONTROL LEVER



F14MB4D05

Ref. No.	BLOCK NO. DESCRIPTION	VF1100C				AREA CODE	FRAME SERIAL NUMBER		QTY REQ	PART NUMBER	HONDA CODE
		1	1	1	1		FROM	TO			
	3 = VF1100C'83 4 = VF1100C'84 5 = VF1100C'85 6 = VF1100C'86	1	1	1	1						
		9	9	9	9						
		8	8	8	8						
		3	4	5	6						
28	BOLT, SOCKET, 6X23	3	--	--	--	A	--	--	2	90117-MB0-000 1237072	
		--	4	--	--	A	--	--	2	90117-MB0-000 1237072	
		--	--	5	--	A	--	FA208180	2	90117-MB0-000 1237072	
		--	--	5	--	AC	--	FA208181	2	90117-MB0-000 1237072	
	BOLT, SOCKET, 6X22	--	--	5	--	A	FA208181	--	2	96700-06022-17 2044956	
		--	--	6	--	A	--	--	2	96700-06022-17 2044956	
29	BOLT, OIL, 10X22	3	--	--	--	A	--	--	2	90145-KE8-000 1310994	
		--	4	--	--	A	--	--	2	90145-KE8-000 1310994	
	BOLT, OIL, 10X22	3	--	--	--	A	--	--	2	90145-KM3-750 2072775	
		--	4	5	6	A	--	--	2	90145-KM3-750 2072775	
	BOLT, OIL, 10X22	3	--	--	--	A	--	--	2	90145-VMO-000 1787043	
		--	4	--	--	A	--	--	2	90145-VMO-000 1787043	
	BOLT, OIL, 10X22	3	--	--	--	A	--	--	2	90145-961-010 1792548	
		--	4	5	6	A	--	--	2	90145-961-010 1792548	
30	WASHER, OIL BOLT	3	--	--	--	A	--	--	4	90545-300-000 0189902	
		--	4	5	6	A	--	--	4	90545-300-000 0189902	
31	CIRCLIP, INTERNAL, 18MM (NISSIN)	3	--	--	--	A	--	--	1	90551-377-003 0400572	
		--	4	5	6	A	--	--	1	90551-377-003 0400572	
32	SCREW, PAN, 3X6	--	--	5	6	A	--	--	1	93500-03006-0A 0166652	

VF1100C'83 ENGINE NO.; SC12E-2000039 TO 2018597  
 VF1100C'83 FRAME NO.; SC120-DM000029 TO DM017677  
 VF1100C'84 ENGINE NO.; SC12E-2100001 TO 2116075  
 VF1100C'84 FRAME NO.; SC120-EA100001 TO EA117064

VF1100C'84 ENGINE NO.; SC12E-2102298 TO 2114635  
 VF1100C'84 FRAME NO.; SC121-EA100004 TO EA117067  
 VF1100C'85 ENGINE NO.; SC12E-2200001 TO 2208055  
 VF1100C'85 FRAME NO.; SC120-FA200006 TO FA208465

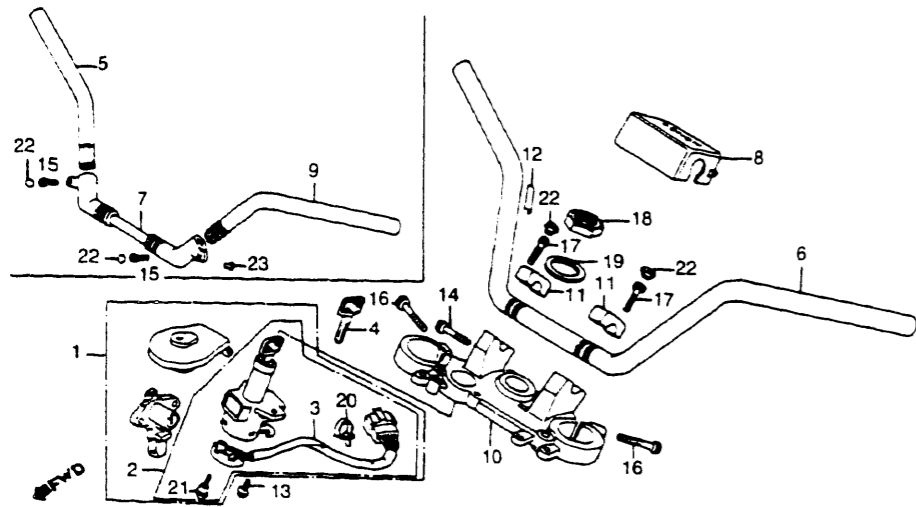
Ref. No.	BLOCK NO. DESCRIPTION	VF1100C				AREA CODE	FRAME SERIAL NUMBER		QTY REQ	PART NUMBER	HONDA CODE
		1	1	1	1		FROM	TO			
		1	1	1	1						
		9	9	9	9						
		8	8	8	8						
		3	4	5	6						
33	SCREW, FLAT, 4X12	3	--	--	--	A	--	--	2	93600-04012-0G 1218601	
		--	4	5	6	A	--	--	2	93600-04012-0G 1218601	
	SCREW, FLAT, 4X12	3	--	--	--	A	--	--	2	93600-04012-1G 1237346	
		--	4	5	6	A	--	--	2	93600-04012-1G 1237346	
34	SCREW-WASHER, 4X12	3	--	--	--	A	--	--	1	93893-04012-07 1374008	
		--	4	5	6	A	--	--	1	93893-04012-07 1374008	
	SCREW-WASHER, 4X12	3	--	--	--	A	--	--	1	93893-04012-17 1237353	
		--	4	5	6	A	--	--	1	93893-04012-17 1237353	
35	NUT, FLANGE, 6MM	3	--	--	--	A	--	--	1	94050-06000 0471623	
		--	4	--	--	A	--	--	1	94050-06000 0471623	
36	WASHER, FLAT, 3MM	--	--	5	--	AC	--	--	1	94101-03800 0374710	

VF1100C'85 ENGINE NO.; SC12E-2200001 TO 2206580  
 VF1100C'85 FRAME NO.; SC121-FA200001 TO FA206845  
 VF1100C'86 ENGINE NO.; SC12E-2300020 TO 2304336  
 VF1100C'86 FRAME NO.; SC120-GM300101 TO GM304425

VF1100C'86 ENGINE NO.; SC12E-2300001 TO 2302532  
 VF1100C'86 FRAME NO.; SC121-GM301306 TO GM302625

CONTENTS		
TITLE	PAGE	GRID
AIR CLEANER	156	1-I4
BATTERY	152	1-I2
BRAKE CALIPER, FR.	114	1-G7
BRAKE CALIPER, RR.	124	1-G12
BRAKE CONTROL LEVER	88	1-F6
BRAKE MASTER CYL. FR.	88	1-F6
BRAKE MASTER CYL. RR.	121	1-G10
BRAKE PEDAL	164	1-I8
CABLES	85	1-F4
CANISTER 84-85	202	1-K3
CANISTER 86	204	1-K4
CLUTCH CONTROL LEVER	92	1-F8
CLUTCH MASTER CYLINDER	92	1-F8
DRIVE SHAFT	172	1-I12
FENDER, FR.	105	1-G2
FENDER, RR.	178	1-J3
FINAL DRIVEN GEAR	130	1-H3
FOOTPEGS	166	1-I9
FRAME	196	1-J12
FUEL PUMP	152	1-I2
FUEL TANK	136	1-H6
GEARSHIFT PEDAL	164	1-I8
HANDLEBAR	96	1-F10
HEADLIGHT	78	1-F1
HORN	100	1-F12
IGNITION COIL	188	1-J8
INSTRUMENTS	80	1-F2
MAIN STAND	169	1-I10
MUFFLER	160	1-I6
RADIATOR	191	1-J9
RECTIFIER	144	1-H10
SEAT	141	1-H8
SHOCK ABSORBER	175	1-J1
SHOCK ABSORBER, FR.	106	1-G3
SIDE COVER	144	1-H10
SIDE STAND	169	1-I10
SPARK UNIT	178	1-J3
STEERING STEM	100	1-F12
SWINGARM	172	1-I12
SWITCHES	85	1-F4
TAILLIGHT	185	1-J6
TOOLS	200	1-K2
TOP BRIDGE	96	1-F10
TURN SIGNAL	180	1-J4
WHEEL, FR.	118	1-G9
WHEEL, RR.	127	1-H1
WIRE HARNESS	188	1-J8

# HANDLEBAR • TOP BRIDGE



Refer to the following selection table to select the lock or blank key.

Type	Key No.
TYPE 1	A** , B**
TYPE 2	C** , D**

\*\* : 0, 1, 2, 3, 4, 5, 6, 7, 8 or 9

CAUTION OR WARNING LABELS MUST BE ORDERED SEPARATELY WHEN APPLICABLE

F14MB4D06T

Ref. No.	BLOCK NO. DESCRIPTION	VF1100C				AREA CODE	FRAME SERIAL NUMBER FROM TO	QTY REQ	PART NUMBER	HONDA CODE
		3	4	5	6					
		1	1	1	1					
		9	9	9	9					
		8	8	8	8					
		3	4	5	6					
1	KEY SET	3				A		1	35010-MB4-670	1385327
	KEY SET	3				A		1	35010-MB4-671	1716091
	KEY SET		4	5		A		1	35010-MB4-770	1542455
	KEY SET		4	5		A		1	35010-MB4-771	2029767
	KEY SET		4	5		AC		1	35010-MB4-880	1546654
	KEY SET		4	5		AC		1	35010-MB4-881	1982461
	KEY SET				6	A		1	35010-MB4-830	2250504
	KEY SET				6	A		1	35010-MB4-831	2498921
	KEY SET				6	AC		1	35010-MB4-850	2250512
2	SWITCH ASSY., COMBINATION & LOCK	3				A		1	35100-MB0-007	1246735
	SWITCH ASSY., COMBINATION & LOCK		4	5				1	35100-MB0-911	1876697
	SWITCH ASSY., COMBINATION & LOCK		4	5				1	35100-MB4-771	1542463
	SWITCH ASSY., COMBINATION & LOCK		4	5				1	35100-MB4-772	1956846
3	BASE COMP., CONTACT	3				A		1	35101-MA6-007	1246743
	BASE COMP., CONTACT	3				A		1	35101-MC5-000	4085486
	BASE COMP., CONTACT		4					1	35101-MB4-771	1546670
	BASE COMP., CONTACT		4	5				1	35101-MB0-910	1876705
	BASE COMP., CONTACT		4	5				1	35101-MB4-772	2110773
4	KEY, BLANK (TYPE 2)	3				A		(1)	35122-KW3-771	3029857
	KEY, BLANK (TYPE 2)		4	5	6			(1)	35122-KW3-771	3029857
	KEY, BLANK (TYPE 2)	3				A		(1)	35122-MA6-811	1246768
	KEY, BLANK (TYPE 2)		4	5	6			(1)	35122-MA6-811	1246768
	KEY, BLANK (TYPE 1)			5	6			(1)	35121-KW3-771	3029840
	KEY, BLANK (TYPE 1)			5	6			(1)	35121-MA6-811	1246750
5	PIPE, R. HANDLEBAR	3				A		1	53100-MB4-000	1388321
6	HANDLEBAR		4					1	53100-MB4-770	1550169
	HANDLEBAR			5	6			1	53100-MB4-680	1852698
7	HOLDER, HANDLEBAR ADJUSTING	3				A		1	53101-MB4-000	1388339
8	COVER, HANDLEBAR	3				A	DM000265	1	53105-MB4-000	1388347
	COVER, HANDLEBAR				6			1	53105-MB4-000	1388347
	COVER, HANDLEBAR	3				A	DM000264	1	53105-MB4-305	1502152
9	PIPE, L. HANDLEBAR	3				A		1	53150-MB4-000	1388354
10	BRIDGE, FORK TOP	3				A		1	53230-MB4-000	1388362
	BRIDGE, FORK TOP		4					1	53230-MB4-000	1388362

AMERICAN HONDA MOTOR CO. INC 1994 97

CONTENTS		
TITLE	PAGE	GRID
AIR CLEANER	156	1-I4
BATTERY	152	1-I2
BRAKE CALIPER, FR	114	1-G7
BRAKE CALIPER, RR	124	1-G12
BRAKE CONTROL LEVER	88	1-F6
BRAKE MASTER CYL. FR	88	1-F6
BRAKE MASTER CYL. RR	121	1-G10
BRAKE PEDAL	164	1-I8
CABLES	85	1-F4
CANISTER 84-85	202	1-K3
CANISTER 86	204	1-K4
CLUTCH CONTROL LEVER	92	1-F8
CLUTCH MASTER CYLINDER	92	1-F8
DRIVE SHAFT	172	1-I12
FENDER, FR	105	1-G2
FENDER, RR	178	1-J3
FINAL DRIVEN GEAR	130	1-H3
FOOTPEGS	166	1-I9
FRAME	196	1-J12
FUEL PUMP	152	1-I2
FUEL TANK	136	1-H6
GEARSHIFT PEDAL	164	1-I8
HANDLEBAR	96	1-F10
HEADLIGHT	78	1-F1
HORN	100	1-F12
IGNITION COIL	188	1-J8
INSTRUMENTS	80	1-F2
MAIN STAND	169	1-I10
MUFFLER	160	1-I6
RADIATOR	191	1-J9
RECTIFIER	144	1-H10
SEAT	141	1-H8
SHOCK ABSORBER	175	1-J1
SHOCK ABSORBER, FR	106	1-G3
SIDE COVER	144	1-H10
SIDE STAND	169	1-I10
SPARK UNIT	178	1-J3
STEERING STEM	100	1-F12
SWINGARM	172	1-I12
SWITCHES	85	1-F4
TAILLIGHT	185	1-J6
TOOLS	200	1-K2
TOP BRIDGE	96	1-F10
TURN SIGNAL	180	1-J4
WHEEL, FR	118	1-G9
WHEEL, RR	127	1-H1
WIRE HARNESS	188	1-J8

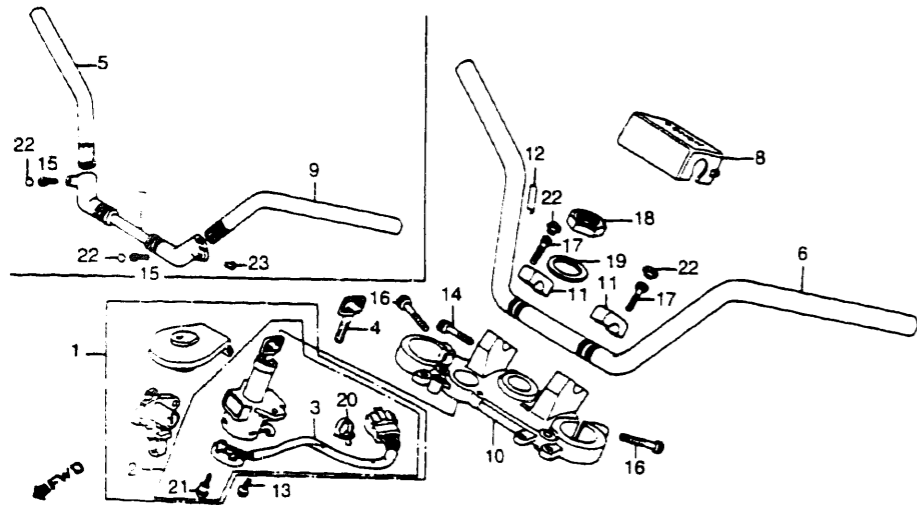
VF1100C'83 ENGINE NO.; SC12E-2000039 TO 2018597  
 VF1100C'83 FRAME NO.; SC120-DM000029 TO DMO17677  
 VF1100C'84 ENGINE NO.; SC12E-2100001 TO 2116075  
 VF1100C'84 FRAME NO.; SC120-EA100001 TO EA117064

VF1100C'84 ENGINE NO.; SC12E-2102298 TO 2114635  
 VF1100C'84 FRAME NO.; SC121-EA100004 TO EA117067  
 VF1100C'85 ENGINE NO.; SC12E-2200001 TO 2208055  
 VF1100C'85 FRAME NO.; SC120-FA200006 TO FA208465

VF1100C'85 ENGINE NO.; SC12E-2200001 TO 2206580  
 VF1100C'85 FRAME NO.; SC121-FA200001 TO FA206845  
 VF1100C'86 ENGINE NO.; SC12E-2300020 TO 2304336  
 VF1100C'86 FRAME NO.; SC120-GM300101 TO GM304425

VF1100C'86 ENGINE NO.; SC12E-2300001 TO 2302532  
 VF1100C'86 FRAME NO.; SC121-GM301306 TO GM302625

# HANDLEBAR • TOP BRIDGE



Refer to the following selection table to select the lock or blank key.

Type	Key No.
TYPE 1	A** , B**
TYPE 2	C** , D**

\*\* : 0, 1, 2, 3, 4, 5, 6, 7, 8 or 9

"CAUTION OR WARNING LABELS MUST BE ORDERED SEPARATELY WHEN APPLICABLE"

F14MB4D06T

- 3 = VF1100C'83
- 4 = VF1100C'84
- 5 = VF1100C'85
- 6 = VF1100C'86

Ref. No.	BLOCK NO. DESCRIPTION	VF1100C				AREA CODE	FRAME SERIAL NUMBER FROM TO	QTY REQ	PART NUMBER	HONDA CODE
		1	2	3	4					
10	BRIDGE, FORK TOP	3	---	---	---	A	---	1	53230-MB4-010	1811611
		---	4	---	---		---	1	53230-MB4-010	1811611
11	HOLDER, UPPER	3	---	---	---	A	---	2	53235-KR3-000	2067544
		---	4	5	6		---	2	53235-KR3-000	2067544
	HOLDER, UPPER	3	---	---	---	A	---	2	53235-ME5-000	1330141
		---	4	5	6		---	2	53235-ME5-000	1330141
12	LABEL, FR. FORK CAUTION	3	---	---	---	A	---	1	87517-MB1-770	1366202
		---	4	5	---		---	1	87517-MB1-770	1366202
13	BOLT, FLANGE, 8X19	---	---	5	6		---	2	90104-MJ1-000	1735307
14	BOLT, SPECIAL SOCKET	3	---	---	---	A	---	1	90106-422-000	0693473
		---	4	---	---		---	1	90106-422-000	0693473
	BOLT, SOCKET, 8X40	---	---	---	6		---	1	90117-MC7-000	1210749
15	BOLT, SOCKET, 8X22	3	---	---	---	A	---	2	90142-MB4-000	1425834
16	BOLT, SOCKET, 7X32	3	---	---	---	A	---	2	90151-MB1-000	1251099
		---	4	5	6		---	2	90151-MB1-000	1251099
17	BOLT, SOCKET, 8X32	3	---	---	---	A	---	4	90154-ME9-000	1371137
		---	4	---	---		---	4	90154-ME9-000	1371137
	BOLT, SOCKET, 8X32	---	---	5	6		---	4	96700-08032-10	2219848
18	NUT, STEERING STEM	3	---	---	---	A	---	1	90304-425-000	0719401
		---	4	5	6		---	1	90304-425-000	0719401
19	WASHER, STEERING STEM	3	---	---	---	A	---	1	90503-425-000	0719443
		---	4	5	6		---	1	90503-425-000	0719443
20	BAND, SELF LOCK	---	---	5	---		---	1	91058-MG9-680	1852409
	BAND, SELF LOCK	---	---	5	6		---	1	91058-MG9-681	1928605
21	SCREW, TAPPING, 3X16	---	---	---	6		---	3	91059-MG9-681	1954445
22	CAP, SOCKET BOLT, 8MM	3	---	---	---	A	---	6	91455-MB0-010	2332187
		---	4	5	6		---	4	91455-MB0-010	2332187
23	SCREW, OVAL, 4X8	3	---	---	---	A	---	2	93700-04008-0B	0412338

# CONTENTS

TITLE	PAGE	GRID
AIR CLEANER	156	1-I4
BATTERY	152	1-I2
BRAKE CALIPER, FR.	114	1-G7
BRAKE CALIPER, RR.	124	1-G12
BRAKE CONTROL LEVER	88	1-F6
BRAKE MASTER CYL. FR.	88	1-F6
BRAKE MASTER CYL. RR.	121	1-G10
BRAKE PEDAL	164	1-I8
CABLES	85	1-F4
CANISTER B4-85	202	1-K3
CANISTER B6	204	1-K4
CLUTCH CONTROL LEVER	92	1-F8
CLUTCH MASTER CYLINDER	92	1-F8
DRIVE SHAFT	172	1-I12
FENDER, FR.	105	1-G2
FENDER, RR.	178	1-J3
FINAL DRIVEN GEAR	130	1-H3
FOOTPEGS	166	1-I9
FRAME	196	1-J12
FUEL PUMP	152	1-I2
FUEL TANK	136	1-H6
GEARSHIFT PEDAL	164	1-I8
HANDLEBAR	96	1-F10
HEADLIGHT	78	1-F1
HORN	100	1-F12
IGNITION COIL	188	1-J8
INSTRUMENTS	80	1-F2
MAIN STAND	169	1-I10
MUFFLER	160	1-I6
RADIATOR	191	1-J9
RECTIFIER	144	1-H10
SEAT	141	1-H8
SHOCK ABSORBER	175	1-J1
SHOCK ABSORBER, FR.	106	1-G3
SIDE COVER	144	1-H10
SIDE STAND	169	1-I10
SPARK UNIT	178	1-J3
STEERING STEM	100	1-F12
SWINGARM	172	1-I12
SWITCHES	85	1-F4
TAILLIGHT	185	1-J6
TOOLS	200	1-K2
TOP BRIDGE	96	1-F10
TURN SIGNAL	180	1-J4
WHEEL, FR.	118	1-G9
WHEEL, RR.	127	1-H1
WIRE HARNESS	188	1-J8

VF1100C'83 ENGINE NO.; SC12E-2000039 TO 2018597  
 VF1100C'83 FRAME NO.; SC120-DM000029 TO DM017677  
 VF1100C'84 ENGINE NO.; SC12E-2100001 TO 2116075  
 VF1100C'84 FRAME NO.; SC120-EA100001 TO EA117064

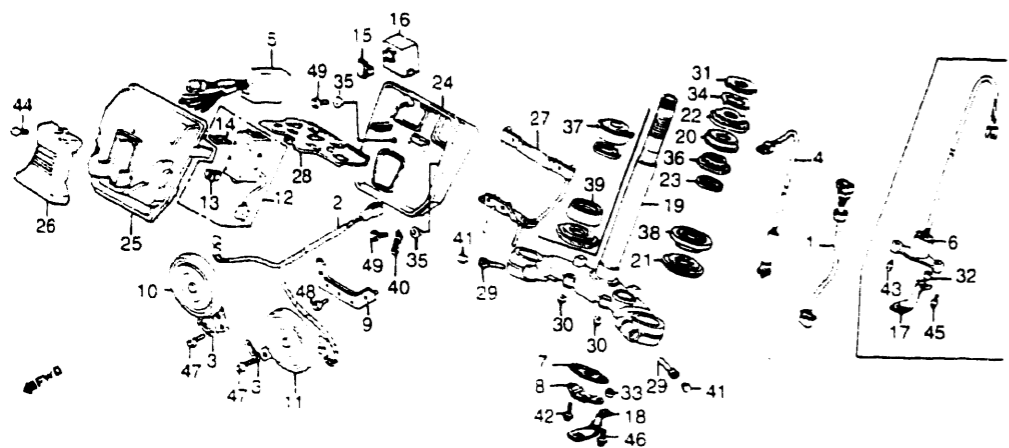
VF1100C'84 ENGINE NO.; SC12E-2102298 TO 2114635  
 VF1100C'84 FRAME NO.; SC121-EA100004 TO EA117067  
 VF1100C'85 ENGINE NO.; SC12E-2200001 TO 2208055  
 VF1100C'85 FRAME NO.; SC120-FA200006 TO FA208465

VF1100C'85 ENGINE NO.; SC12E-2200001 TO 2206580  
 VF1100C'85 FRAME NO.; SC121-FA200001 TO FA206845  
 VF1100C'86 ENGINE NO.; SC12E-2300020 TO 2304336  
 VF1100C'86 FRAME NO.; SC120-GM300101 TO GM304425

VF1100C'86 ENGINE NO.; SC12E-2300001 TO 2302532  
 VF1100C'86 FRAME NO.; SC121-GM301306 TO GM302625



# STEERING STEM • HORN



F14MB4D07

Ref. No.	BLOCK NO. DESCRIPTION	VF1100C				AREA CODE	FRAME SERIAL NUMBER FROM TO	QTY REQ	PART NUMBER	HONDA CODE
		1	1	1	1					
		3	4	5	6					
3	VF1100C'83									
4	VF1100C'84									
5	VF1100C'85									
6	VF1100C'86									
1	SUB WIRE, CANCEL			5	6			1	32102-MB3-670	1742691
2	SUB HARNESS, HORN	3				A		1	32106-MB4-000	1384684
			4	5	6			1	32106-MB4-000	1384684
3	CLIP, WIRE	3				A		2	32112-191-000	0956425
			4	5	6			2	32112-191-000	0956425
4	CANCEL UNIT, TURN SIGNAL (OKI)			5	6			1	35220-MB3-771	1908409
	CANCEL UNIT, TURN SIGNAL			5	6			1	35220-MB3-772	1908417
	CANCEL UNIT, TURN SIGNAL (ALPS)			5	6			1	35220-MB5-003	2820769
5	CANCEL UNIT, TURN SIGNAL	3				A		1	35220-MB4-005	1718394
			4					1	35220-MB4-005	1718394
6	SENSOR, ANGLE	3				A		1	35230-MB4-000	1387497
			4					1	35230-MB4-000	1387497
7	PLATE, UPPER ANGLE SENSOR SUPPORT			5	6			1	35231-MB4-680	1811264
8	PLATE, LOWER ANGLE SENSOR SUPPORT			5	6			1	35255-MB4-680	1815265
9	STAY, HORN	3				A		1	38102-MB4-000	1387596
			4	5	6			1	38102-MB4-000	1387596
10	HORN ASSY. (HIGH)	3				A		1	38110-MB4-640	3216538
			4	5	6			1	38110-MB4-640	3216538

Ref. No.	BLOCK NO. DESCRIPTION	VF1100C				AREA CODE	FRAME SERIAL NUMBER FROM TO	QTY REQ	PART NUMBER	HONDA CODE
		1	1	1	1					
		3	4	5	6					
10	HORN ASSY. (HIGH)	3				A		1	38110-MB4-670	1384783
			4	5	6			1	38110-MB4-670	1384783
11	HORN ASSY. (LOW)	3				A		1	38120-MB4-640	3216546
			4	5	6			1	38120-MB4-640	3216546
	HORN ASSY. (LOW)	3				A		1	38120-MB4-670	1413608
			4	5	6			1	38120-MB4-670	1413608
12	BOX ASSY., FUSE	3				A		1	38200-MB4-005	1384791
			4	5	6			1	38200-MB4-005	1384791
13	PULLER, FUSE	3				A		1	38205-MB4-000	1384809
			4	5	6			1	38205-MB4-000	1384809
14	FUSE B (15A)	3				A		5	38231-SA5-003	1131119
			4	5	6			5	38231-SA5-003	1131119
	FUSE, BLADE (15A)	3				A		5	98200-31500	1644244
			4	5	6			5	98200-31500	1644244
15	SUSPENSION, TURN SIGNAL RELAY			5	6			1	38306-ME9-771	1562370
16	RELAY COMP., POSITION			5	6			1	38601-MB3-671	1743327
17	SUPPORT, SENSOR	3				A		1	50108-MB0-000	1248483
			4					1	50108-MB0-000	1248483
18	SUPPORT, SENSOR			5	6			1	50231-MB3-000	1743749
19	STEM COMP., STEERING	3				A		1	53200-MB4-000	1263409
			4					1	53200-MB4-000	1263409
				5			FA201707	1	53200-MB4-000	1263409
	STEM COMP., STEERING	3				A		1	53200-MB4-010	1811603
			4	5	6			1	53200-MB4-010	1811603
				5			FA201707	1	53200-MB4-010	1811603
20	DUST SEAL, STEERING HEAD	3				A		1	53213-MB4-771	1546951
			4	5	6			1	53213-MB4-771	1546951
21	DUST SEAL, STEERING HEAD	3				A		1	53214-371-010	0470948
			4	5	6			1	53214-371-010	0470948
22	THREAD COMP., STEERING HEAD UPPER	3				A		1	53220-422-000	0693101
			4	5	6			1	53220-422-000	0693101
23	HOLDER, GREASE	3				A		1	53223-371-010	0470955
			4	5	6			1	53223-371-010	0470955
24	CASE, COUPLER HOLDER	3				A		1	61305-MB4-000	1384882
			4					1	61305-MB4-000	1384882
	CASE, COUPLER HOLDER	3				A		1	61305-MB4-680	1811629
			4	5	6			1	61305-MB4-680	1811629
25	COVER, COUPLER HOLDER	3				A		1	61306-MB4-000	1384890

# CONTENTS

TITLE	PAGE	GRID
AIR CLEANER	156	1-4
BATTERY	152	1-2
BRAKE CALIPER, FR.	114	1-G7
BRAKE CALIPER, RR.	124	1-G12
BRAKE CONTROL LEVER	88	1-F6
BRAKE MASTER CYL. FR.	88	1-F6
BRAKE MASTER CYL. RR.	121	1-G10
BRAKE PEDAL	164	1-8
CABLES	85	1-F4
CANISTER 84-85	202	1-K3
CANISTER 86	204	1-K4
CLUTCH CONTROL LEVER	92	1-F8
CLUTCH MASTER CYLINDER	92	1-F8
DRIVE SHAFT	172	1-112
FENDER, FR.	105	1-G2
FENDER, RR.	178	1-J3
FINAL DRIVEN GEAR	130	1-H3
FOOTPEGS	166	1-9
FRAME	196	1-J12
FUEL PUMP	152	1-12
FUEL TANK	136	1-H6
GEARSHIFT PEDAL	164	1-8
HANDLEBAR	96	1-F10
HEADLIGHT	78	1-F1
HORN	100	1-F12
IGNITION COIL	188	1-J8
INSTRUMENTS	80	1-F2
MAIN STAND	169	1-110
MUFFLER	160	1-16
RADIATOR	191	1-J9
RECTIFIER	144	1-H10
SEAT	141	1-H8
SHOCK ABSORBER	175	1-J1
SHOCK ABSORBER, FR.	106	1-G3
SIDE COVER	144	1-H10
SIDE STAND	169	1-110
SPARK UNIT	178	1-J3
STEERING STEM	100	1-F12
SWINGARM	172	1-112
SWITCHES	85	1-F4
TAILLIGHT	185	1-J6
TOOLS	200	1-K2
TOP BRIDGE	96	1-F10
TURN SIGNAL	180	1-J4
WHEEL, FR.	118	1-G9
WHEEL, RR.	127	1-H1
WIRE HARNESS	188	1-J8

VF1100C'83 ENGINE NO.; SC12E-2000039 TO 2018597  
 VF1100C'83 FRAME NO.; SC120-DM000029 TO DM017677  
 VF1100C'84 ENGINE NO.; SC12E-2100001 TO 2116075  
 VF1100C'84 FRAME NO.; SC120-EA100001 TO EA117064

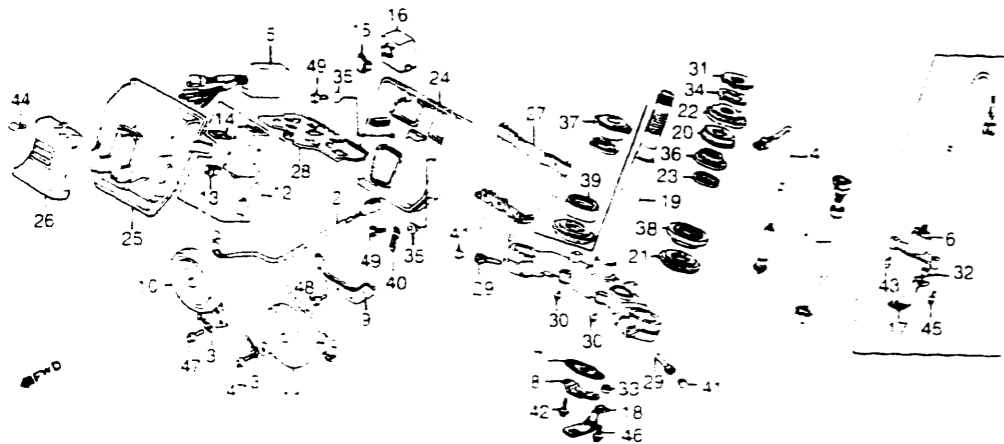
VF1100C'84 ENGINE NO.; SC12E-2102298 TO 2114635  
 VF1100C'84 FRAME NO.; SC121-EA100004 TO EA117067  
 VF1100C'85 ENGINE NO.; SC12E-2200001 TO 2208055  
 VF1100C'85 FRAME NO.; SC120-FA200006 TO FA208465

VF1100C'85 ENGINE NO.; SC12E-2200001 TO 2206580  
 VF1100C'85 FRAME NO.; SC121-FA200001 TO FA206845  
 VF1100C'86 ENGINE NO.; SC12E-2300020 TO 2304336  
 VF1100C'86 FRAME NO.; SC120-GM300101 TO GM304425

VF1100C'86 ENGINE NO.; SC12E-2300001 TO 2302532  
 VF1100C'86 FRAME NO.; SC121-GM301306 TO GM302625



# STEERING STEM • HORN



F14MB4D07

Ref No	BLOCK NO DESCRIPTION	VF1100C				AREA CODE	FRAME SERIAL NUMBER		QTY REQ	PART NUMBER	HONDA CODE
		1	2	3	4		FROM	TO			
	3 = VF1100C'83 4 = VF1100C'84 5 = VF1100C'85 6 = VF1100C'86	1	2	3	4						
25	COVER, COUPLER HOLDER	3	---	---	---	A	---	---	1	61306-MB4-770 1542760	
26	COVER, FUSE HOLDER	3	---	---	---	A	---	---	1	61307-MB4-000 1384908	
27	STAY, COUPLER HOLDER CASE	3	---	---	---	A	---	---	1	61308-MB4-000 1384916	
	STAY, COUPLER HOLDER CASE	---	---	---	6				1	61308-MB4-830 2250876	
28	PLATE, COUPLER HOLDER	3	---	---	---	A	---	---	1	61309-MB4-000 1384924	
	PLATE, COUPLER HOLDER	---	4	---	---				1	61309-MB4-770 1542778	
	PLATE, COUPLER HOLDER	---	---	5	6				1	61309-MB4-680 1852722	
29	BOLT, SOCKET, 10X30	3	---	---	---	A	---	---	2	90152-MB0-000 1251107	
	BOLT, SOCKET, 10X30	---	4	5	6				2	90152-MB0-000 1251107	
30	NUT, FLANGE, 6MM	3	---	---	---	A	---	---	2	90203-PD1-000 1784669	
	NUT, FLANGE, 6MM	---	4	5	6				2	90203-PD1-000 1784669	
	NUT, FLANGE, 6MM	3	---	---	---	A	---	---	2	90301-428-900 1089499	
	NUT, FLANGE, 6MM	---	4	5	6				2	90301-428-900 1089499	
	NUT, FLANGE, 6MM	3	---	---	---	A	---	---	2	94050-06070 2322832	
	NUT, FLANGE, 6MM	---	4	5	6				2	94050-06070 2322832	

102 AMERICAN HONDA MOTOR CO. INC. 1994

VF1100C'83 ENGINE NO.; SC12E-2000039 TO 2018597  
VF1100C'83 FRAME NO.; SC120-DM000029 TO DM017677  
VF1100C'84 ENGINE NO.; SC12E-2100001 TO 2116075  
VF1100C'84 FRAME NO.; SC120-EA100001 TO EA117064

VF1100C'84 ENGINE NO.; SC12E-2102298 TO 2114635  
VF1100C'84 FRAME NO.; SC121-EA100004 TO EA117067  
VF1100C'85 ENGINE NO.; SC12E-2200001 TO 2208055  
VF1100C'85 FRAME NO.; SC120-FA200006 TO FA208465

Ref No	BLCK NO DESCRIPTION	VF1100C				AREA CODE	FRAME SERIAL NUMBER		QTY REQ	PART NUMBER	HONDA CODE
		1	2	3	4		FROM	TO			
	3 = VF1100C'83 4 = VF1100C'84 5 = VF1100C'85 6 = VF1100C'86	1	2	3	4						
31	THREAD, STEERING HEAD TOP (B)	3	---	---	---	A	---	---	1	90302-425-830 0823930	
	THREAD, STEERING HEAD TOP (B)	---	4	5	6				1	90302-425-830 0823930	
32	COLLAR, SENSOR	3	---	---	---	A	---	---	1	90315-MB0-000 1251313	
	COLLAR, SENSOR	---	4	---	---				1	90315-MB0-000 1251313	
33	COLLAR, SENSOR	---	---	5	6				1	90315-MB4-680 1816479	
34	WASHER, LOCK	3	---	---	---	A	---	---	1	90506-425-830 0823948	
	WASHER, LOCK	---	4	5	6				1	90506-425-830 0823948	
35	WASHER, 6X20	3	---	---	---	A	---	---	2	90512-300-000 0191494	
	WASHER, 6X20	---	4	5	6				2	90512-300-000 0191494	
36	BEARING, HEAD PIPE UPPER	---	4	5	6				1	91015-KT8-005 2492825	
	BEARING, HEAD PIPE UPPER	---	4	5	6				1	91015-MB4-771 1547132	
37	BEARING, HEAD PIPE UPPER (TOYO)	3	---	---	---	A	---	---	1	91015-425-831 0823955	
	BEARING, HEAD PIPE UPPER (NACHI)	3	---	---	---	A	---	---	1	91015-425-832 0923227	
38	BEARING, HEAD PIPE LOWER	---	4	5	6				1	91016-KT8-005 2492833	
	BEARING, HEAD PIPE LOWER	---	4	5	6				1	91016-MB4-771 1547140	
39	BEARING, HEAD PIPE LOWER	3	---	---	---	A	---	---	1	91016-371-000 0471284	
40	CLAMP	3	---	---	---	A	---	---	1	91403-663-000 1251669	
	CLAMP	---	4	5	6				1	91403-663-000 1251669	
41	CAP, SOCKET BOLT, 10MM	---	---	5	6				2	91456-ME1-670 1213255	
42	SCREW, PAN, 5X14	---	---	5	6				2	93500-05014-0A 0181073	
43	SCREW, PAN, 5X16	3	---	---	---	A	---	---	2	93500-05016-0A 0145557	
	SCREW, PAN, 5X16	---	4	---	---				2	93500-05016-0A 0145557	
44	SCREW-WASHER, 4X14	3	---	---	---	A	---	---	1	93891-04014-07 1716125	
	SCREW-WASHER, 4X14	---	4	5	6				1	93891-04014-07 1716125	
45	SCREW-WASHER, 5X16	3	---	---	---	A	---	---	1	93894-05016-07 1251784	
	SCREW-WASHER, 5X16	---	4	---	---				1	93894-05016-07 1251784	
46	SCREW-WASHER, 5X18	---	---	5	6				1	93894-05018-07 1816651	
47	BOLT, FLANGE, 6X10	3	---	---	---	A	---	---	2	95700-06010-00 0350488	
	BOLT, FLANGE, 6X10	---	4	5	6				2	95700-06010-00 0350488	
	BOLT, FLANGE, 6X10	3	---	---	---	A	---	---	2	95701-06010-00 2410876	
	BOLT, FLANGE, 6X10	---	4	5	6				2	95701-06010-00 2410876	
48	BOLT, FLANGE, 6X10	3	---	---	---	A	---	---	1	95700-06010-07 0663930	
	BOLT, FLANGE, 6X10	---	4	5	6				1	95700-06010-07 0663930	
	BOLT, FLANGE, 6X10	3	---	---	---	A	---	---	1	95701-06010-07 2374734	
	BOLT, FLANGE, 6X10	---	4	5	6				1	95701-06010-07 2374734	
49	BOLT, FLANGE, 6X12	3	---	---	---	A	---	---	2	95700-06012-00 0487025	
	BOLT, FLANGE, 6X12	---	4	5	6				2	95700-06012-00 0487025	

AMERICAN HONDA MOTOR CO. INC. 1994 103

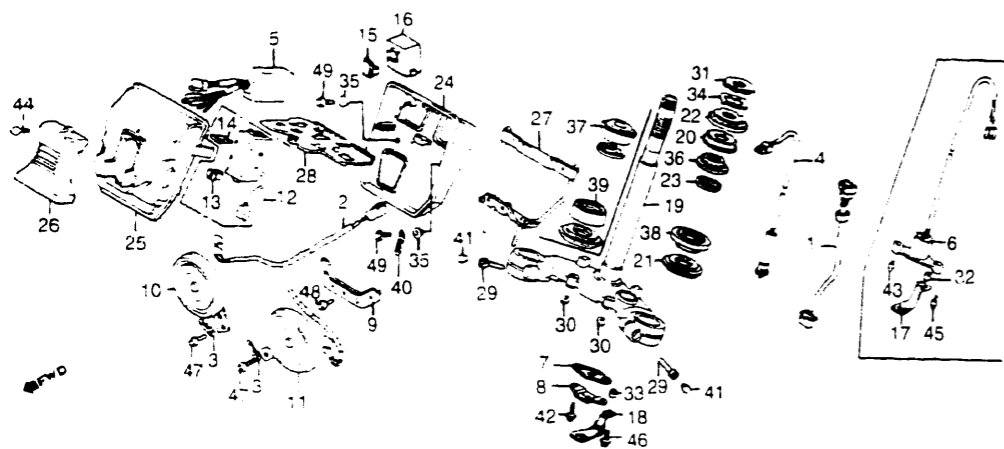
VF1100C'85 ENGINE NO.; SC12E-2200001 TO 2206580  
VF1100C'85 FRAME NO.; SC121-FA200001 TO FA206845  
VF1100C'86 ENGINE NO.; SC12E-2300020 TO 2304336  
VF1100C'86 FRAME NO.; SC120-GM300101 TO GM304425

VF1100C'86 ENGINE NO.; SC12E-2300001 TO 2302532  
VF1100C'86 FRAME NO.; SC121-GM301306 TO GM302625

# CONTENTS

TITLE	PAGE	GRID
AIR CLEANER	156	1-I4
BATTERY	152	1-I2
BRAKE CALIPER FR	114	1-G7
BRAKE CALIPER RR	124	1-G12
BRAKE CONTROL LEVER	88	1-F6
BRAKE MASTER CYL FR	88	1-F6
BRAKE MASTER CYL RR	121	1-G10
BRAKE PEDAL	164	1-I8
CABLES	85	1-F4
CANISTER 84-85	202	1-K3
CANISTER 86	204	1-K4
CLUTCH CONTROL LEVER	92	1-F8
CLUTCH MASTER CYLINDER	92	1-F8
DRIVE SHAFT	172	1-I12
FENDER FR	105	1-G2
FENDER RR	178	1-J3
FINAL DRIVEN GEAR	130	1-H3
FOOTPEGS	166	1-I9
FRAME	196	1-J12
FUEL PUMP	152	1-I2
FUEL TANK	136	1-H6
GEARSHIFT PEDAL	164	1-I8
HANDLEBAR	96	1-F10
HEADLIGHT	78	1-F1
HORN	100	1-F12
IGNITION COIL	188	1-J8
INSTRUMENTS	80	1-F2
MAIN STAND	169	1-I10
MUFFLER	160	1-I6
RADIATOR	191	1-J9
RECTIFIER	144	1-H10
SEAT	141	1-H8
SHOCK ABSORBER	175	1-J1
SHOCK ABSORBER FR	106	1-G3
SIDE COVER	144	1-H10
SIDE STAND	169	1-I10
SPARK UNIT	178	1-J3
STEERING STEM	100	1-F12
SWINGARM	172	1-I12
SWITCHES	85	1-F4
TAILLIGHT	185	1-J6
TOOLS	200	1-K2
TOP BRIDGE	96	1-F10
TURN SIGNAL	180	1-J4
WHEEL FR	118	1-G9
WHEEL RR	127	1-H1
WIRE HARNESS	188	1-J8

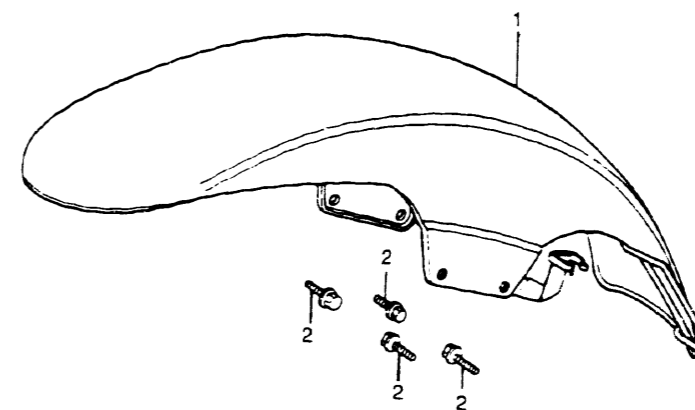
# STEERING STEM • HORN



F14MB4D07

Ref. No.	BLOCK NO. DESCRIPTION	VF1100C				AREA CODE	FRAME SERIAL NUMBER		QTY REQ	PART NUMBER	HONDA CODE
		1	2	3	4		FROM	TO			
	3 = VF1100C'83 4 = VF1100C'84 5 = VF1100C'85 6 = VF1100C'86	1	1	1	1	A	-----	-----	2	95701-06012-00	2105799
		3	4	5	6		-----	-----	2	95701-06012-00	2105799

# FRONT FENDER



F14MB4D08

Ref. No.	BLOCK NO. DESCRIPTION	VF1100C				AREA CODE	FRAME SERIAL NUMBER		QTY REQ	PART NUMBER	HONDA CODE
		1	2	3	4		FROM	TO			
	3 = VF1100C'83 4 = VF1100C'84 5 = VF1100C'85 6 = VF1100C'86	1	1	1	1	A	-----	-----	1	61100-MB4-000	1384858
		3	4	5	6		-----	-----	1	61100-MB4-000	1384858
	1 FENDER COMP., FR. ....	3	4	5	6	A	-----	-----	4	95700-06014-08	0840587
		3	4	5	6		-----	-----	4	95700-06014-08	0840587
	2 BOLT, FLANGE, 6X14 .....	3	4	5	6	A	-----	-----	4	95701-06014-08	2374742
		3	4	5	6		-----	-----	4	95701-06014-08	2374742

# CONTENTS

TITLE	PAGE	GRID
AIR CLEANER	158	1-I4
BATTERY	152	1-I2
BRAKE CALIPER, FR.	114	1-G7
BRAKE CALIPER, RR.	124	1-G12
BRAKE CONTROL LEVER	88	1-F6
BRAKE MASTER CYL, FR.	88	1-F6
BRAKE MASTER CYL, RR.	121	1-G10
BRAKE PEDAL	164	1-I8
CABLES	85	1-F4
CANISTER 84-85	202	1-K3
CANISTER 86	204	1-K4
CLUTCH CONTROL LEVER	92	1-F8
CLUTCH MASTER CYLINDER	92	1-F8
DRIVE SHAFT	172	1-I12
FENDER, FR.	105	1-G2
FENDER, RR.	178	1-J3
FINAL DRIVEN GEAR	130	1-H3
FOOTPEGS	166	1-I9
FRAME	196	1-J12
FUEL PUMP	152	1-I2
FUEL TANK	136	1-H6
GEARSHIFT PEDAL	164	1-I8
HANDLEBAR	96	1-F10
HEADLIGHT	78	1-F1
HORN	100	1-F12
IGNITION COIL	188	1-J8
INSTRUMENTS	80	1-F2
MAIN STAND	169	1-I10
MUFFLER	160	1-I6
RADIATOR	191	1-J9
RECTIFIER	144	1-H10
SEAT	141	1-H8
SHOCK ABSORBER	175	1-J1
SHOCK ABSORBER, FR.	106	1-G3
SIDE COVER	144	1-H10
SIDE STAND	169	1-I10
SPARK UNIT	178	1-J3
STEERING STEM	100	1-F12
SWINGARM	172	1-I12
SWITCHES	85	1-F4
TAILLIGHT	185	1-J6
TOOLS	200	1-K2
TOP BRIDGE	96	1-F10
TURN SIGNAL	180	1-J4
WHEEL, FR.	118	1-G9
WHEEL, RR.	127	1-H1
WIRE HARNESS	188	1-J8

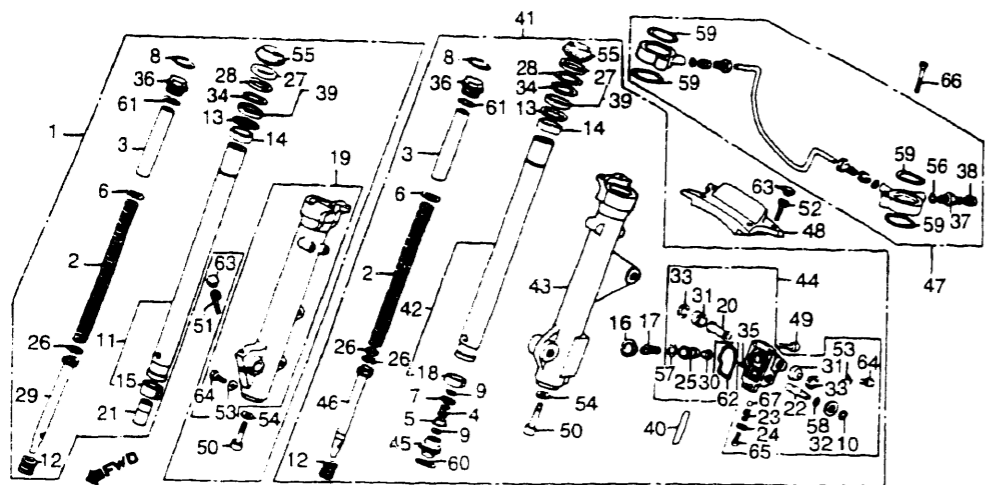
VF1100C'83 ENGINE NO.; SC12E-2000039 TO 2018597  
 VF1100C'83 FRAME NO.; SC120-DM000029 TO DM017677  
 VF1100C'84 ENGINE NO.; SC12E-2100001 TO 2116075  
 VF1100C'84 FRAME NO.; SC120-EA1000G1 TO EA117064

VF1100C'84 ENGINE NO.; SC12E-2102298 TO 2114635  
 VF1100C'84 FRAME NO.; SC121-EA100004 TO EA117067  
 VF1100C'85 ENGINE NO.; SC12E-2200001 TO 2208055  
 VF1100C'85 FRAME NO.; SC120-FA200006 TO FA208465

VF1100C'85 ENGINE NO.; SC12E-2200001 TO 2206580  
 VF1100C'85 FRAME NO.; SC121-FA200001 TO FA206845  
 VF1100C'86 ENGINE NO.; SC12E-2300020 TO 2304336  
 VF1100C'86 FRAME NO.; SC120-GM300101 TO GM304425

VF1100C'86 ENGINE NO.; SC12E-2300001 TO 2302532  
 VF1100C'86 FRAME NO.; SC121-GM301306 TO GM302625

# FRONT SHOCK ABSORBER



F14MB4D09

Ref. No.	BLOCK NO. DESCRIPTION	VF1100C				AREA CODE	FRAME SERIAL NUMBER		QTY REQ	PART NUMBER	HONDA CODE
		1	2	3	4		FROM	TO			
	3 = VF1100C'83 4 = VF1100C'84 5 = VF1100C'85 6 = VF1100C'86	1	1	1	1						
		9	8	8	8						
		3	4	5	6						
1	SHOCK ABSORBER ASSY., R. FR. ....	3	---	---	---	A	---	---	1	51400-MB4-003 1388214	
	SHOCK ABSORBER ASSY., R. FR. ....	---	4	5	---	A	---	---	1	51400-MB4-003 1388214	
		---	---	4	5	---	---	---	1	51400-MB4-013 1983113	
		---	---	---	6	A	---	GA302930	1	51400-MB4-013 1983113	
		---	---	---	6	AC	---	---	1	51400-MB4-013 1983113	
		---	---	---	6	A	---	---	1	51400-MB4-023 2583029	
		---	---	4	5	---	---	---	1	51400-MB4-023 2583029	
		---	---	---	6	AC	---	---	1	51400-MB4-023 2583029	
2	SPRING, FR. SHOCK ABSORBER .....	3	---	---	---	A	---	---	2	51401-MB4-003 1413665	
		---	4	5	6	---	---	---	2	51401-MB4-003 1413665	
3	COLLAR, SPRING .....	3	---	---	---	A	---	---	2	51402-MB4-003 1390574	
		---	4	5	6	---	---	---	2	51402-MB4-003 1390574	
4	SPRING, OIL LOCK .....	3	---	---	---	A	---	---	1	51402-MB7-611 1289222	
		---	4	5	6	---	---	---	1	51402-MB7-611 1289222	
5	VALVE, OIL LOCK .....	3	---	---	---	A	---	---	1	51403-MB7-611 1289248	
		---	4	5	6	---	---	---	1	51403-MB7-611 1289248	
6	PLATE, SPRING JOINT .....	3	---	---	---	A	---	---	2	51404-MB4-003 1390590	
		---	4	5	6	---	---	---	2	51404-MB4-003 1390590	

Ref. No.	BLOCK NO. DESCRIPTION	VF1100C				AREA CODE	FRAME SERIAL NUMBER		QTY REQ	PART NUMBER	HONDA CODE
		1	2	3	4		FROM	TO			
		1	1	1	1						
		9	8	8	8						
		3	4	5	6						
7	SEAT, SPRING .....	3	---	---	---	A	---	---	1	51404-MB7-611 1289255	
		---	4	5	6	---	---	---	1	51404-MB7-611 1289255	
8	RING, STOPPER .....	3	---	---	---	A	---	---	2	51405-MB4-003 1390608	
		---	4	5	6	---	---	---	2	51405-MB4-003 1390608	
9	RING, STOPPER .....	3	---	---	---	A	---	---	2	51405-MB7-611 1289263	
		---	4	5	6	---	---	---	2	51405-MB7-611 1289263	
10	RING, STOPPER .....	3	---	---	---	A	---	---	1	51406-MB1-771 1291855	
		---	4	5	6	---	---	---	1	51406-MB1-771 1291855	
11	PIPE COMP., R. FR. SHOCK .....	3	---	---	---	A	---	---	1	51410-MB4-003 1388222	
		---	4	5	---	---	---	---	1	51410-MB4-003 1388222	
		---	---	---	6	A	---	GA302930	1	51410-MB4-003 1388222	
		---	---	---	6	AC	---	---	1	51410-MB4-003 1388222	
	PIPE COMP., R. FR. SHOCK .....	3	---	---	---	A	---	---	1	51410-MB4-013 2440873	
		---	4	5	6	---	---	---	1	51410-MB4-013 2440873	
		---	---	---	6	A	---	GA302930	1	51410-MB4-013 2440873	
12	SPRING, REBOUND .....	3	---	---	---	A	---	---	2	51411-MB4-003 1390616	
		---	4	5	6	---	---	---	2	51411-MB4-003 1390616	
13	RING, BACK UP .....	3	---	---	---	A	---	---	2	51412-MB4-003 1390624	
		---	4	5	6	---	---	---	2	51412-MB4-003 1390624	
	RING, BACK UP .....	3	---	---	---	A	---	---	2	51412-MB4-305 1425800	
		---	4	5	6	---	---	---	2	51412-MB4-305 1425800	
14	BUSH, GUIDE .....	3	---	---	---	A	---	---	2	51414-MB4-003 1390640	
		---	4	5	6	---	---	---	2	51414-MB4-003 1390640	
15	BUSH, SLIDER (A) .....	3	---	---	---	A	---	---	1	51415-MB4-003 1390632	
		---	4	5	6	---	---	---	1	51415-MB4-003 1390632	
16	GASKET .....	3	---	---	---	A	---	---	1	51417-MC7-003 1215557	
		---	4	5	6	---	---	---	1	51417-MC7-003 1215557	
17	SPRING, PISTON .....	3	---	---	---	A	---	---	1	51418-MC7-013 1264225	
		---	4	5	6	---	---	---	1	51418-MC7-013 1264225	
18	BUSH B, SLIDER (B TYPE) .....	3	---	---	---	A	---	---	1	51419-MB4-003 1434968	
		---	4	5	6	---	---	---	1	51419-MB4-003 1434968	
19	CASE COMP., R. LOWER .....	3	---	---	---	A	---	---	1	51421-MB4-003 1388230	
		---	4	5	6	---	---	---	1	51421-MB4-003 1388230	
20	COLLAR, PISTON .....	3	---	---	---	A	---	---	1	51423-MB1-771 1291871	
		---	4	5	6	---	---	---	1	51423-MB1-771 1291871	
21	PIECE, OIL LOCKING .....	3	---	---	---	A	---	---	1	51432-463-003 0884163	
		---	4	5	6	---	---	---	1	51432-463-003 0884163	
22	ROD, ADJUSTING .....	3	---	---	---	A	---	---	1	51433-MB1-771 1291889	
		---	4	5	6	---	---	---	1	51433-MB1-771 1291889	

# CONTENTS

TITLE	PAGE	GRID
AIR CLEANER	156	1-4
BATTERY	152	1-2
BRAKE CALIPER, FR.	114	1-G7
BRAKE CALIPER, RR.	124	1-G12
BRAKE CONTROL LEVER	88	1-F6
BRAKE MASTER CYL. FR.	88	1-F6
BRAKE MASTER CYL. RR.	121	1-G10
BRAKE PEDAL	164	1-I8
CABLES	85	1-F4
CANISTER 84-85	202	1-K3
CANISTER 86	204	1-K4
CLUTCH CONTROL LEVER	92	1-F8
CLUTCH MASTER CYLINDER	92	1-F8
DRIVE SHAFT	172	1-I12
FENDER, FR.	105	1-G2
FENDER, RR.	178	1-J3
FINAL DRIVEN GEAR	130	1-H3
FOOTPEGS	166	1-I9
FRAME	196	1-J12
FUEL PUMP	152	1-I2
FUEL TANK	136	1-H6
GEARSHIFT PEDAL	164	1-I8
HANDLEBAR	96	1-F10
HEADLIGHT	78	1-F1
HORN	100	1-F12
IGNITION COIL	188	1-J8
INSTRUMENTS	80	1-F2
MAIN STAND	169	1-I10
MUFFLER	160	1-H6
RADIATOR	191	1-J9
RECTIFIER	144	1-H10
SEAT	141	1-H8
SHOCK ABSORBER	175	1-J1
SHOCK ABSORBER, FR.	106	1-G3
SIDE COVER	144	1-H10
SIDE STAND	169	1-I10
SPARK UNIT	178	1-J3
STEERING STEM	100	1-F12
SWINGARM	172	1-I12
SWITCHES	85	1-F4
TAILLIGHT	185	1-J6
TOOLS	200	1-K2
TOP BRIDGE	96	1-F10
TURN SIGNAL	180	1-J4
WHEEL, FR.	118	1-G9
WHEEL, RR.	127	1-H1
WIRE HARNESS	188	1-J8

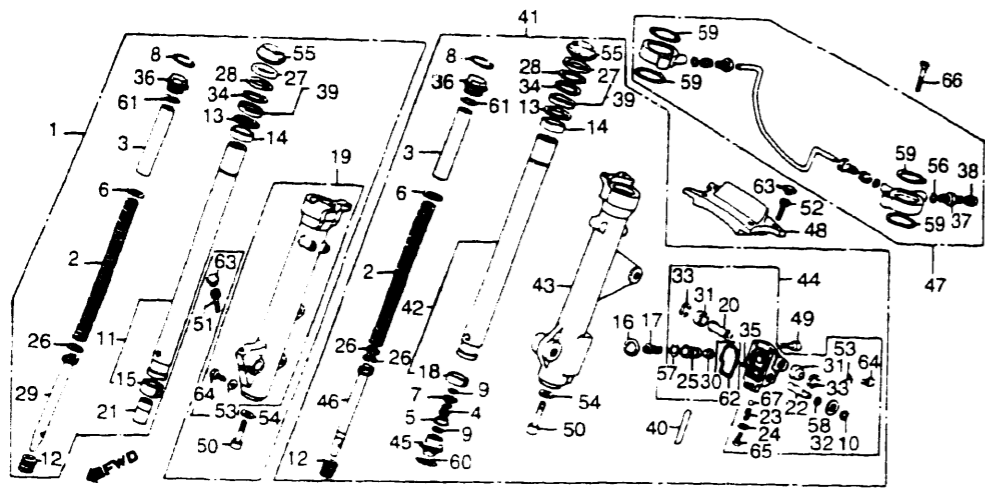
VF1100C'83 ENGINE NO.; SC12E-2000039 TO 2018597  
 VF1100C'83 FRAME NO.; SC120-DM00029 TO DM017677  
 VF1100C'84 ENGINE NO.; SC12E-2100001 TO 2116075  
 VF1100C'84 FRAME NO.; SC120-EA100001 TO EA117064

VF1100C'84 ENGINE NO.; SC12E-2102298 TO 2114635  
 VF1100C'84 FRAME NO.; SC121-EA100004 TO EA117067  
 VF1100C'85 ENGINE NO.; SC12E-2200001 TO 2208055  
 VF1100C'85 FRAME NO.; SC120-FA200006 TO FA208465

VF1100C'85 ENGINE NO.; SC12E-2200001 TO 2206580  
 VF1100C'85 FRAME NO.; SC121-FA200001 TO FA206845  
 VF1100C'86 ENGINE NO.; SC12E-2300020 TO 2304336  
 VF1100C'86 FRAME NO.; SC120-GM300101 TO GM304425

VF1100C'86 ENGINE NO.; SC12E-2300001 TO 2302532  
 VF1100C'86 FRAME NO.; SC121-GM301306 TO GM302625

# FRONT SHOCK ABSORBER



F14MB4D09

Ref. No.	BLOCK NO. DESCRIPTION	F-9	VF1100C				AREA	FRAME SERIAL NUMBER		QTY REQ	PART NUMBER	HONDA CODE
			1	2	3	4		FROM	TO			
	3 = VF1100C'83		1	1	1	1						
	4 = VF1100C'84		9	9	9	9						
	5 = VF1100C'85		8	8	8	8						
	6 = VF1100C'86		3	4	5	6						
23	SPRING, CLICK		3	--	--	--	A	--	--	1	51434-MC7-003	1212257
			--	4	5	6				1	51434-MC7-003	1212257
24	WASHER, SPECIAL, 5MM		3	--	--	--	A	--	--	1	51435-MC7-003	1217413
			--	4	5	6				1	51435-MC7-003	1217413
25	PISTON		3	--	--	--	A	--	--	1	51436-MB4-003	1439199
			--	4	5	6				1	51436-MB4-003	1439199
26	RING, PISTON		3	--	--	--	A	--	--	3	51437-MB4-003	1390665
			--	4	5	6				3	51437-MB4-003	1390665
27	HOLDER, GREASE		3	--	--	--	A	--	--	2	51438-MB4-003	1390673
			--	4	5	--				2	51438-MB4-003	1390673
28	WASHER, HOLDER		3	--	--	--	A	--	--	2	51439-MB4-003	1390681
			--	4	5	--				2	51439-MB4-003	1390681
29	PIPE, SEAT		3	--	--	--	A	--	--	1	51440-MB4-003	1390699
			--	4	5	6				1	51440-MB4-003	1390699
30	RUBBER, STOPPER		3	--	--	--	A	--	--	1	51441-MC7-003	1212281
			--	4	5	6				1	51441-MC7-003	1212281
31	BOOT, PISTON CASE		3	--	--	--	A	--	--	2	51442-MC7-003	1212299
			--	4	5	6				2	51442-MC7-003	1212299

Ref. No.	BLOCK NO. DESCRIPTION	F-9	VF1100C				AREA	FRAME SERIAL NUMBER		QTY REQ	PART NUMBER	HONDA CODE
			1	2	3	4		FROM	TO			
	3 = VF1100C'83		1	1	1	1						
	4 = VF1100C'84		9	9	9	9						
	5 = VF1100C'85		8	8	8	8						
	6 = VF1100C'86		3	4	5	6						
32	WASHER, L. SIDE		3	--	--	--	A	--	--	1	51444-MB1-771	1291905
			--	4	5	6				1	51444-MB1-771	1291905
33	HOLDER, BOOT		3	--	--	--	A	--	--	2	51445-MC7-003	1212315
			--	4	5	6				2	51445-MC7-003	1212315
34	CIRCLIP, INTERNAL		3	--	--	--	A	--	--	2	51447-MB4-003	1390715
			--	4	5	6				2	51447-MB4-003	1390715
35	PIN, PARALLEL		3	--	--	--	A	--	--	1	51448-MB1-771	1390723
			--	4	5	6				1	51448-MB1-771	1390723
36	BOLT, FR. FORK		3	--	--	--	A	--	--	2	51455-MB4-003	1390707
			--	4	5	6				2	51455-MB4-003	1390707
37	VALVE COMP., AIR (SHOWA)		3	--	--	--	A	--	--	1	51456-469-013	0950428
			--	4	5	6				1	51456-469-013	0950428
38	CAP ASSY., AIR VALVE		3	--	--	--	A	--	--	1	51457-469-000	0874727
			--	4	5	6				1	51457-469-000	0874727
39	SEAL SET, FR. SHOCK		3	--	--	--	A	--	--	2	51490-MB4-305	1390731
			--	4	5	--				2	51490-MB4-305	1390731
	SEAL SET, FR. SHOCK		3	--	--	--	A	--	--	2	51490-MB4-315	1833706
			--	4	5	6				2	51490-MB4-315	1833706
	SEAL SET, FR. FORK (SHOWA)		3	--	--	--	A	--	--	2	51490-MB8-305	3105657
			--	4	5	6				2	51490-MB8-305	3105657
40	MARK, FR. SHOCK		3	--	--	--	A	--	--	1	51496-MC7-670	1249390
			--	4	5	6				1	51496-MC7-670	1249390
41	SHOCK ABSORBER ASSY., L. FR.		3	--	--	--	A	--	--	1	51500-MB4-003	1388248
			--	4	5	--				1	51500-MB4-003	1388248
	SHOCK ABSORBER ASSY., L. FR.		3	--	--	--	A	--	--	1	51500-MB4-013	2026821
			--	4	5	--				1	51500-MB4-013	2026821
			--	--	--	6	A	--	GA302930	1	51500-MB4-013	2026821
			--	--	--	6	AC	--		1	51500-MB4-013	2026821
	SHOCK ABSORBER ASSY., L. FR.		3	--	--	--	A	--	--	1	51500-MB4-023	2577005
			--	4	5	6				1	51500-MB4-023	2577005
			--	--	--	6	A	--	GA302930	1	51500-MB4-023	2577005
42	PIPE COMP., L. FR.		3	--	--	--	A	--	--	1	51510-MB4-003	1388255
			--	4	5	--				1	51510-MB4-003	1388255
			--	--	--	6	A	--	GA302930	1	51510-MB4-003	1388255
			--	--	--	6	AC	--		1	51510-MB4-003	1388255
	PIPE COMP., L. FR.		3	--	--	--	A	--	--	1	51510-MB4-013	2414159
			--	4	5	6				1	51510-MB4-013	2414159
			--	--	--	6	A	--	GA302930	1	51510-MB4-013	2414159
43	CASE, L. LOWER		3	--	--	--	A	--	--	1	51521-MB4-003	1388263
			--	4	5	6				1	51521-MB4-003	1388263

# CONTENTS

TITLE	PAGE	GRID
AIR CLEANER	156	1-I4
BATTERY	152	1-I2
BRAKE CALIPER, FR.	114	1-G7
BRAKE CALIPER, RR.	124	1-G12
BRAKE CONTROL LEVER	88	1-F6
BRAKE MASTER CYL. FR.	88	1-F6
BRAKE MASTER CYL. RR.	121	1-G10
BRAKE PEDAL	164	1-I8
CABLES	85	1-F4
CANISTER 84-85	202	1-K3
CANISTER 86	204	1-K4
CLUTCH CONTROL LEVER	92	1-F8
CLUTCH MASTER CYLINDER	92	1-F8
DRIVE SHAFT	172	1-I12
FENDER, FR.	105	1-G2
FENDER, RR.	178	1-J3
FINAL DRIVEN GEAR	130	1-H3
FOOTPEGS	166	1-I9
FRAME	196	1-J12
FUEL PUMP	152	1-I2
FUEL TANK	136	1-H6
GEARSHIFT PEDAL	164	1-I8
HANDLEBAR	96	1-F10
HEADLIGHT	78	1-F1
HORN	100	1-F12
IGNITION COIL	188	1-J8
INSTRUMENTS	80	1-F2
MAIN STAND	169	1-I10
MUFFLER	160	1-I6
RADIATOR	191	1-J9
RECTIFIER	144	1-H10
SEAT	141	1-H8
SHOCK ABSORBER	175	1-J1
SHOCK ABSORBER, FR.	106	1-G3
SIDE COVER	144	1-H10
SIDE STAND	169	1-I10
SPARK UNIT	178	1-J3
STEERING STEM	100	1-F12
SWINGARM	172	1-I12
SWITCHES	85	1-F4
TAILLIGHT	185	1-J6
TOOLS	200	1-K2
TOP BRIDGE	96	1-F10
TURN SIGNAL	180	1-J4
WHEEL, FR.	118	1-G9
WHEEL, RR.	127	1-H1
WIRE HARNESS	188	1-J8

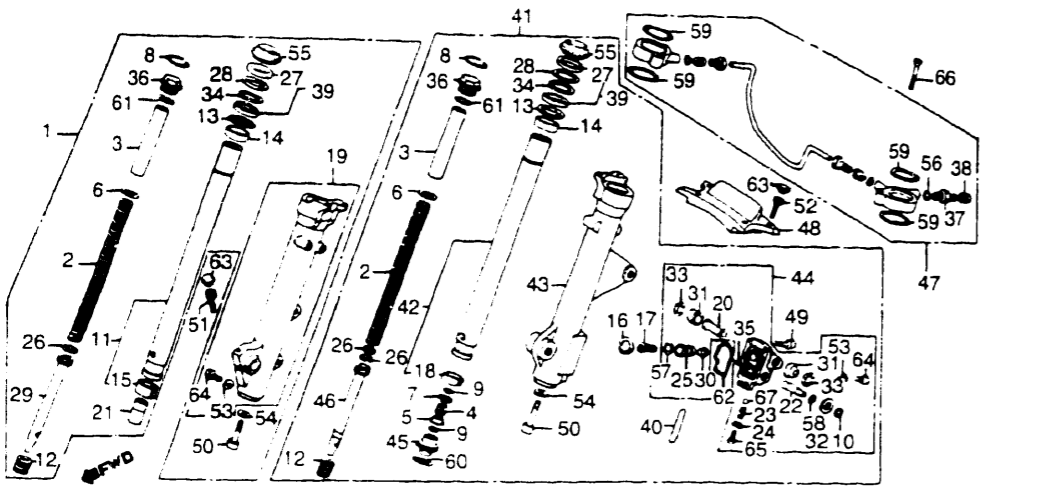
VF1100C'83 ENGINE NO.; SC12E-2000039 TO 2018597  
 VF1100C'83 FRAME NO.; SC120-DM000029 TO DM017677  
 VF1100C'84 ENGINE NO.; SC12E-2100001 TO 2116075  
 VF1100C'84 FRAME NO.; SC120-EA100001 TO EA117064

VF1100C'84 ENGINE NO.; SC12E-2102298 TO 2114635  
 VF1100C'84 FRAME NO.; SC121-EA100004 TO EA117067  
 VF1100C'85 ENGINE NO.; SC12E-2200001 TO 2208055  
 VF1100C'85 FRAME NO.; SC120-FA200006 TO FA208465

VF1100C'85 ENGINE NO.; SC12E-2200001 TO 2206580  
 VF1100C'85 FRAME NO.; SC121-FA200001 TO FA206845  
 VF1100C'86 ENGINE NO.; SC12E-2300020 TO 2304336  
 VF1100C'86 FRAME NO.; SC120-GM300101 TO GM304425

VF1100C'86 ENGINE NO.; SC12E-2300001 TO 2302532  
 VF1100C'86 FRAME NO.; SC121-GM301306 TO GM302625

# FRONT SHOCK ABSORBER



F14MB4D09

Ref. No.	BLOCK NO. DESCRIPTION	VF1100C				AREA CODE	FRAME SERIAL NUMBER	QTY REQ	PART NUMBER	HONDA CODE
		1	1	1	1					
	3 = VF1100C'83 4 = VF1100C'84 5 = VF1100C'85 6 = VF1100C'86	1	1	1	1					
44	CASE ASSY., L. PISTON	3	---	---	---	A	---	1	51530-MB4-003 1390749	
45	PIECE B, OIL LOCK	3	---	---	---	A	---	1	51532-MB4-003 1390756	
46	PIPE B, SEAT	3	---	---	---	A	---	1	51540-MB4-003 1390764	
47	EQUALIZER ASSY., FR. SHOCK	3	---	---	---	A	---	1	53137-MB4-003 1384841	
	EQUALIZER ASSY., FR. SHOCK	---	4	5	6			1	53137-MB4-771 1718378	
48	STABILIZER, FR. SHOCK	3	---	---	---	A	---	1	53240-MB4-000 1388370	
	STABILIZER, FR. SHOCK	3	---	---	---	A	---	1	53240-MB4-010 1718386	
	STABILIZER, FR. SHOCK	---	4	5	---			1	53240-MB4-010 1718386	
	STABILIZER, FR. SHOCK	3	---	---	---	A	---	1	53240-MB4-020 2050102	
	STABILIZER, FR. SHOCK	---	4	5	6			1	53240-MB4-020 2050102	
49	BOLT, SOCKET, 6MM	3	---	---	---	A	---	4	90116-MC7-003 1213016	
	BOLT, SOCKET	---	4	---	---			4	90116-MC7-003 1213016	
	BOLT, SOCKET	---	5	---	---		FA205944	4	90116-MC7-003 1213016	
	BOLT, SOCKET	3	---	---	---	A	---	4	90118-MC7-003 1258300	
	BOLT, SOCKET	---	4	---	---			4	90118-MC7-003 1258300	
	BOLT, SOCKET	---	5	---	---		FA205944	4	90118-MC7-003 1258300	

Ref. No.	BLOCK NO. DESCRIPTION	VF1100C				AREA CODE	FRAME SERIAL NUMBER	QTY REQ	PART NUMBER	HONDA CODE
		1	1	1	1					
	3 = VF1100C'83 4 = VF1100C'84 5 = VF1100C'85 6 = VF1100C'86	1	1	1	1					
49	BOLT, SOCKET, 6X18	---	---	5	---		FA205945	4	96700-06018-17 2154714	
	BOLT, SOCKET, 6X18	---	---	6	---			4	96700-06018-17 2154714	
50	BOLT, SOCKET, 8MM	3	---	---	---	A	---	2	90116-ME1-671 1250984	
	BOLT, SOCKET, 8MM	---	4	5	6			2	90116-ME1-671 1250984	
51	BOLT, SOCKET, 8X28	3	---	---	---	A	---	1	90152-ME5-000 1330927	
	BOLT, SOCKET, 8X28	---	4	---	---			1	90152-ME5-000 1330927	
	BOLT, SOCKET, 8X28	---	5	---	---	A	FA207152	1	90152-ME5-000 1330927	
	BOLT, SOCKET, 8X28	---	5	---	---	AC		1	90152-ME5-000 1330927	
	BOLT, SOCKET, 8X28	---	5	---	---	A	FA207153	1	96700-08028-10 2024321	
	BOLT, SOCKET, 8X28	---	6	---	---			1	96700-08028-10 2024321	
52	BOLT, SOCKET, 8X17	3	---	---	---	A	---	4	90153-MB0-000 1251123	
	BOLT, SOCKET, 8X17	---	4	5	6			4	90153-MB0-000 1251123	
	BOLT, SOCKET, 8X17	3	---	---	---	A	---	4	90153-MB0-405 4222808	
	BOLT, SOCKET, 8X17	---	4	5	6			4	90153-MB0-405 4222808	
53	GASKET, FR. FORK DRAIN VALVE	3	---	---	---	A	---	2	90543-273-000 0052209	
	GASKET, FR. FORK DRAIN VALVE	---	4	5	6			2	90543-273-000 0052209	
54	WASHER, SPECIAL, 8MM	3	---	---	---	A	---	2	90544-283-000 0259457	
	WASHER, SPECIAL, 8MM	---	4	5	6			2	90544-283-000 0259457	
55	DUST SEAL	3	---	---	---	A	---	2	91254-MB4-003 1390772	
	DUST SEAL	---	4	5	6			2	91254-MB4-003 1390772	
	SEAL, DUST	3	---	---	---	A	---	2	91254-MM8-003 2568947	
	SEAL, DUST	---	4	5	6			2	91254-MM8-003 2568947	
56	O-RING, 5.8X1.9	3	---	---	---	A	---	1	91301-469-003 0874768	
	O-RING, 5.8X1.9	---	4	5	6			1	91301-469-003 0874768	
	O-RING, 5.8X1.9	3	---	---	---	A	---	1	91305-323-000 0258012	
	O-RING, 5.8X1.9	---	4	5	6			1	91305-323-000 0258012	
	O-RING, 5.6X1.9 (ARAI)	3	---	---	---	A	---	1	91318-ME5-003 1366574	
	O-RING, 5.6X1.9 (ARAI)	---	4	5	6			1	91318-ME5-003 1366574	
57	O-RING D, 13.8X2.4 (SHOWA)	3	---	---	---	A	---	1	91305-MC7-003 1213222	
	O-RING D, 13.8X2.4 (SHOWA)	---	4	5	6			1	91305-MC7-003 1213222	
	O-RING D, 13.8X2.4 (SHOWA)	3	---	---	---	A	---	1	91308-MC7-003 1251552	
	O-RING D, 13.8X2.4 (SHOWA)	---	4	5	6			1	91308-MC7-003 1251552	
	O-RING, 13.8X2.4 (NOK)	3	---	---	---	A	---	1	91311-PH7-003 2373504	
	O-RING, 13.8X2.4 (NOK)	---	4	5	6			1	91311-PH7-003 2373504	
58	O-RING, 6.8X1.9	3	---	---	---	A	---	1	91306-PJ4-000 2373447	
	O-RING, 6.8X1.9	---	4	5	6			1	91306-PJ4-000 2373447	
	O-RING B, 6.8X1.9	3	---	---	---	A	---	1	91310-MC7-003 1218569	
	O-RING B, 6.8X1.9	---	4	5	6			1	91310-MC7-003 1218569	
59	O-RING	3	---	---	---	A	---	4	91352-MB4-003 1390780	
	O-RING	---	4	5	6			4	91352-MB4-003 1390780	

# CONTENTS

TITLE	PAGE	GRID
AIR CLEANER	156	1-44
BATTERY	152	1-42
BRAKE CALIPER, FR.	114	1-G7
BRAKE CALIPER, RR.	124	1-G12
BRAKE CONTROL LEVER	88	1-F6
BRAKE MASTER CYL. FR.	88	1-F6
BRAKE MASTER CYL. RR.	121	1-G10
BRAKE PEDAL	164	1-48
CABLES	85	1-F4
CANISTER 84-85	202	1-K3
CANISTER 86	204	1-K4
CLUTCH CONTROL LEVER	92	1-F8
CLUTCH MASTER CYLINDER	92	1-F8
DRIVE SHAFT	172	1-H2
FENDER, FR.	105	1-G2
FENDER, RR.	178	1-J3
FINAL DRIVEN GEAR	130	1-H3
FOOTPEGS	166	1-49
FRAME	196	1-J12
FUEL PUMP	152	1-42
FUEL TANK	136	1-H6
GEARSHIFT PEDAL	164	1-48
HANDLEBAR	96	1-F10
HEADLIGHT	78	1-F1
HORN	100	1-F12
IGNITION COIL	188	1-J8
INSTRUMENTS	80	1-F2
MAIN STAND	169	1-H10
MUFFLER	160	1-H6
RADIATOR	191	1-J9
RECTIFIER	144	1-H10
SEAT	141	1-H8
SHOCK ABSORBER	175	1-J1
SHOCK ABSORBER, FR.	106	1-G3
SIDE COVER	144	1-H10
SIDE STAND	169	1-H10
SPARK UNIT	178	1-J3
STEERING STEM	100	1-F12
SWINGARM	172	1-H2
SWITCHES	85	1-F4
TAILLIGHT	185	1-J6
TOOLS	200	1-K2
TOP BRIDGE	96	1-F10
TURN SIGNAL	180	1-J4
WHEEL, FR.	118	1-G9
WHEEL, RR.	127	1-H1
WIRE HARNESS	188	1-J8

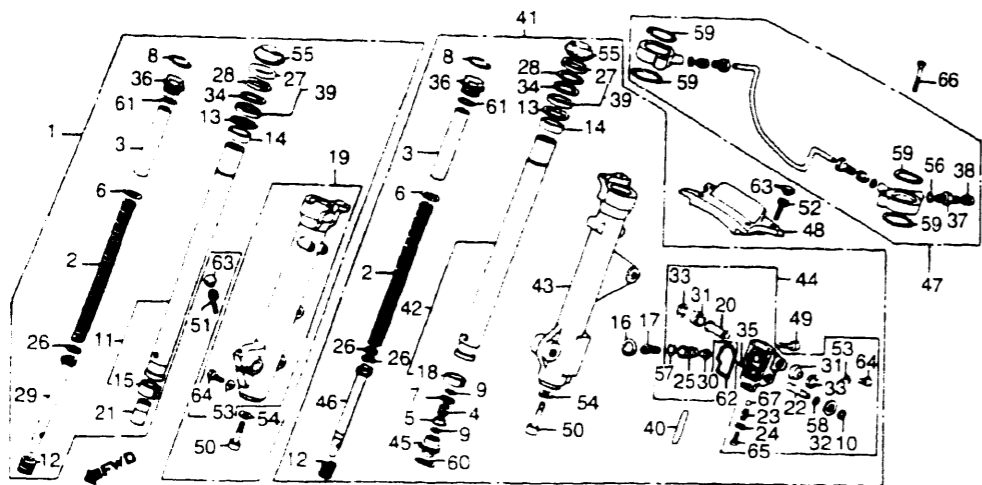
VF1100C'83 ENGINE NO.; SC12E-2000039 TO 2018597  
 VF1100C'83 FRAME NO.; SC120-DM000029 TO DM017677  
 VF1100C'84 ENGINE NO.; SC12E-2100001 TO 2116075  
 VF1100C'84 FRAME NO.; SC120-EA100001 TO EA117064

VF1100C'84 ENGINE NO.; SC12E-2102298 TO 2114635  
 VF1100C'84 FRAME NO.; SC121-EA100004 TO EA117067  
 VF1100C'85 ENGINE NO.; SC12E-2200001 TO 2208055  
 VF1100C'85 FRAME NO.; SC120-FA200006 TO FA208465

VF1100C'85 ENGINE NO.; SC12E-2200001 TO 2206580  
 VF1100C'85 FRAME NO.; SC121-FA200001 TO FA206845  
 VF1100C'86 ENGINE NO.; SC12E-2300020 TO 2304336  
 VF1100C'86 FRAME NO.; SC120-GM300101 TO GM304425

VF1100C'86 ENGINE NO.; SC12E-2300001 TO 2302532  
 VF1100C'86 FRAME NO.; SC121-GM301306 TO GM302625

# FRONT SHOCK ABSORBER



F14MB4D09

Ref. No.	BLOCK NO. DESCRIPTION	F-9	VF1100C				AREA	FRAME SERIAL NUMBER		QTY	PART NUMBER	HONDA CODE
			1	1	1	1		FROM	TO			
	3 = VF1100C'83		1	1	1	1						
	4 = VF1100C'84		9	9	9	9						
	5 = VF1100C'85		8	8	8	8						
	6 = VF1100C'86		3	4	5	6						
60	O-RING, 38.5X2	3	---	---	---	---	A	---	---	1	91351-GR1-000	2147254
	O-RING, 38.5X2 (SHOWA)	3	---	---	---	---	A	---	---	1	91352-MG5-671	1311232
	O-RING, 37.5X2 (SHOWA)	---	4	5	6	---	---	---	---	1	91353-MB4-003	1762244
61	O-RING	3	---	---	---	---	A	---	---	2	91356-MB4-003	1391614
		---	4	5	6	---	---	---	---	2	91356-MB4-003	1391614
62	O-RING	3	---	---	---	---	A	---	---	1	91308-MJ0-003	1762228
		---	4	5	6	---	---	---	---	1	91308-MJ0-003	1762228
	O-RING, 49.4X3.1	3	---	---	---	---	A	---	---	1	91399-MB0-003	1260900
		---	4	5	6	---	---	---	---	1	91399-MB0-003	1260900
63	CAP, SOCKET BOLT, 8MM	3	---	---	---	---	A	---	---	5	91455-MB0-010	2332187
		---	4	5	6	---	---	---	---	5	91455-MB0-010	2332187
64	BOLT, HEX., 6X8	3	---	---	---	---	A	---	---	2	92000-06008-0A	0724377
		---	4	5	6	---	---	---	---	2	92000-06008-0A	0724377
	BOLT, HEX., 6X8	3	---	---	---	---	A	---	---	2	92101-06008-0A	2504868
		---	4	5	6	---	---	---	---	2	92101-06008-0A	2504868
65	SCREW, PAN, 5X10	3	---	---	---	---	A	---	---	1	93500-05010-0A	0156976
		---	4	5	6	---	---	---	---	1	93500-05010-0A	0156976

Ref. No.	BLOCK NO. DESCRIPTION	F-9	VF1100C				AREA	FRAME SERIAL NUMBER		QTY	PART NUMBER	HONDA CODE
			1	1	1	1		FROM	TO			
	3 = VF1100C'83		1	1	1	1						
	4 = VF1100C'84		9	9	9	9						
	5 = VF1100C'85		8	8	8	8						
	6 = VF1100C'86		3	4	5	6						
65	SCREW, PAN, 5X10		3	---	---	---	A	---	---	1	93500-05010-1A	0814343
			---	4	5	6	---	---	---	1	93500-05010-1A	0814343
	SCREW, 5X10		3	---	---	---	A	---	---	1	93510-05010-0A	0173583
			---	4	5	6	---	---	---	1	93510-05010-0A	0173583
66	SCREW, FLAT, 6X40		3	---	---	---	A	---	---	2	93600-06040-0G	1391622
			---	4	5	6	---	---	---	2	93600-06040-0G	1391622
67	BALL, STEEL, #5 (5/32)		3	---	---	---	A	---	---	1	96211-05000	0058917
			---	4	5	6	---	---	---	1	96211-05000	0058917

# CONTENTS

TITLE	PAGE	GRID
AIR CLEANER	156	1-I4
BATTERY	152	1-I2
BRAKE CALIPER, FR.	114	1-G7
BRAKE CALIPER, RR.	124	1-G12
BRAKE CONTROL LEVER	88	1-F6
BRAKE MASTER CYL. FR.	88	1-F6
BRAKE MASTER CYL. RR.	121	1-G10
BRAKE PEDAL	164	1-I8
CABLES	85	1-F4
CANISTER 84-85	202	1-K3
CANISTER 86	204	1-K4
CLUTCH CONTROL LEVER	92	1-F8
CLUTCH MASTER CYLINDER	92	1-F8
DRIVE SHAFT	172	1-I12
FENDER, FR.	105	1-G2
FENDER, RR.	178	1-J3
FINAL DRIVEN GEAR	130	1-H3
FOOTPEGS	166	1-I9
FRAME	196	1-J12
FUEL PUMP	152	1-I2
FUEL TANK	136	1-H6
GEARSHIFT PEDAL	164	1-I8
HANDLEBAR	96	1-F10
HEADLIGHT	78	1-F1
HORN	100	1-F12
IGNITION COIL	188	1-J8
INSTRUMENTS	80	1-F2
MAIN STAND	169	1-I10
MUFFLER	160	1-I6
RADIATOR	191	1-J9
RECTIFIER	144	1-H10
SEAT	141	1-H8
SHOCK ABSORBER	175	1-J1
SHOCK ABSORBER, FR.	106	1-G3
SIDE COVER	144	1-H10
SIDE STAND	169	1-I10
SPARK UNIT	178	1-J3
STEERING STEM	100	1-F12
SWINGARM	172	1-I12
SWITCHES	85	1-F4
TAILLIGHT	185	1-J6
TOOLS	200	1-K2
TOP BRIDGE	96	1-F10
TURN SIGNAL	180	1-J4
WHEEL, FR.	118	1-G9
WHEEL, RR.	127	1-H1
WIRE HARNESS	188	1-J8

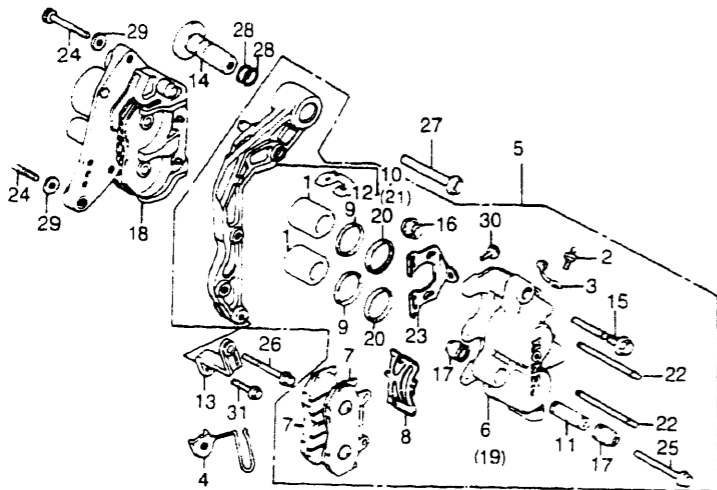
VF1100C'83 ENGINE NO.; SC12E-2000039 TO 2018597  
 VF1100C'83 FRAME NO.; SC120-DM000029 TO DM017677  
 VF1100C'84 ENGINE NO.; SC12E-2100001 TO 2116075  
 VF1100C'84 FRAME NO.; SC120-EA100001 TO EA117064

VF1100C'84 ENGINE NO.; SC12E-2102298 TO 2114635  
 VF1100C'84 FRAME NO.; SC121-EA100004 TO EA117067  
 VF1100C'85 ENGINE NO.; SC12E-2200001 TO 2208055  
 VF1100C'85 FRAME NO.; SC120-FA200006 TO FA208465

VF1100C'85 ENGINE NO.; SC12E-2200001 TO 2206580  
 VF1100C'85 FRAME NO.; SC121-FA200001 TO FA206845  
 VF1100C'86 ENGINE NO.; SC12E-2300020 TO 2304336  
 VF1100C'86 FRAME NO.; SC120-GM300101 TO GM304425

VF1100C'86 ENGINE NO.; SC12E-2300001 TO 2302532  
 VF1100C'86 FRAME NO.; SC121-GM301306 TO GM302625

# FRONT BRAKE CALIPER



F14MB4D10

Ref. No.	BLOCK NO. F-10	DESCRIPTION	VF1100C				AREA CODE	FRAME SERIAL NUMBER		QTY REQ	PART NUMBER	HONDA CODE
			1	1	1	1		FROM	TO			
			1	1	1	1						
			9	9	9	9						
			8	8	8	8						
			3	4	5	6						
1		PISTON .....	3	--	--	--	A	----	----	4	43107-MA7-006 43107-MA7-006	1302223 1302223
2		SCREW, BLEEDER .....	3	--	--	--	A	----	----	2	43352-568-003 43352-568-003	0505735 0505735
3		CAP, BLEEDER SCREW .....	3	--	--	--	A	----	----	2	43353-461-771 43353-461-771	0954230 0954230
4		CLAMP, SPEEDOMETER CABLE .....	3	--	--	--	A	----	----	1	44832-MB1-000 44832-MB1-000	1248129 1248129
5		CALIPER ASSY., L. FR. ....	3	--	--	--	A	----	----	1	45100-MB4-007 45100-MB4-007	1387851 1387851
		CALIPER ASSY., L. FR. ....	3	--	--	--	A	----	----	1	45100-MB4-008 45100-MB4-008	1387869 1387869
		CALIPER ASSY., L. FR. ....	--	--	5	6				1	45100-MB4-681	1811454
		CALIPER ASSY., L. FR. ....	--	--	5	6				1	45100-MB4-682	1811462
6		CALIPER COMP., L. ....	3	--	--	--	A	----	----	1	45101-MB9-781 45101-MB9-781	1300763 1300763
7		PAD COMP., FR. (ASK) (SEE KIT P/N--END OF BLOCK) ....	3	--	--	--	A	----	----	4	45105-MB1-701 45105-MB1-701	1458926 1458926

Ref. No.	BLOCK NO. F-10	DESCRIPTION	VF1100C				AREA CODE	FRAME SERIAL NUMBER		QTY REQ	PART NUMBER	HONDA CODE
			1	1	1	1		FROM	TO			
			1	1	1	1						
			9	9	9	9						
			8	8	8	8						
			3	4	5	6						
7		PAD COMP., FR. (TT) (SEE KIT P/N--END OF BLOCK) ....	3	--	--	--	A	----	----	4	45105-MB1-702 45105-MB1-702	1458934 1458934
		PAD COMP., FR. (ASK) (SEE KIT P/N--END OF BLOCK) ....	3	--	--	--	A	----	----	4	45105-MJ1-672 45105-MJ1-672	1734797 1734797
		PAD COMP., FR. (ASK) (SEE KIT P/N--END OF BLOCK) ....	3	--	--	--	A	----	----	4	45105-MJ1-673 45105-MJ1-673	2781037 2781037
8		SPRING, PAD .....	3	--	--	--	A	----	----	2	45108-MA3-006 45108-MA3-006	1011956 1011956
9		DUST SEAL .....	3	--	--	--	A	----	----	4	45109-MA7-006 45109-MA7-006	1302272 1302272
10		BRACKET COMP., L. FR. ....	3	--	--	--	A	----	----	1	45110-MB4-006 45110-MB4-006	1387893 1387893
11		SLEEVE .....	3	--	--	--	A	----	----	2	45111-MA3-006 45111-MA3-006	1011980 1011980
12		RETAINER, BRACKET .....	3	--	--	--	A	----	----	2	45112-445-631 45112-445-631	1095496 1095496
13		BRIDGE, CALIPER BRACKET .....	3	--	--	--	A	----	----	1	45113-ME1-670 45113-ME1-670	1211762 1211762
14		SLEEVE, FR. CALIPER BRACKET .....	3	--	--	--	A	----	----	1	45114-MB7-610 45114-MB7-610	1211770 1211770
15		BOLT, PIN .....	3	--	--	--	A	----	----	2	45131-MA3-006 45131-MA3-006	1012004 1012004
16		BOOT (B) .....	3	--	--	--	A	----	----	2	45133-MA3-006 45133-MA3-006	1012012 1012012
17		BOOT, PIN .....	3	--	--	--	A	----	----	4	45133-166-016 45133-166-016	1012020 1012020
18		CALIPER ASSY., R. FR. ....	3	--	--	--	A	----	----	1	45200-MB4-007 45200-MB4-007	1387935 1387935
		CALIPER ASSY., R. FR. ....	3	--	--	--	A	----	----	1	45200-MB4-008 45200-MB4-008	1387943 1387943
		CALIPER ASSY., R. FR. ....	--	--	5	6				1	45200-MB3-008	1743582
		CALIPER ASSY., R. FR. ....	--	--	5	6				1	45200-MB3-018	2831865
19		CALIPER COMP., R. ....	3	--	--	--	A	----	----	1	45201-MB4-006 45201-MB4-006	1387950 1387950
20		SEAL, PISTON .....	3	--	--	--	A	----	----	4	45209-MA7-006 45209-MA7-006	1302314 1302314

# CONTENTS

TITLE	PAGE	GRID
AIR CLEANER	156	1-14
BATTERY	152	1-12
BRAKE CALIPER, FR.	114	1-G7
BRAKE CALIPER, RR.	124	1-G12
BRAKE CONTROL LEVER	88	1-F6
BRAKE MASTER CYL. FR.	88	1-F6
BRAKE MASTER CYL. RR.	121	1-G10
BRAKE PEDAL	164	1-B
CABLES	85	1-F4
CANISTER 84-85	202	1-K3
CANISTER 86	204	1-K4
CLUTCH CONTROL LEVER	92	1-F8
CLUTCH MASTER CYLINDER	92	1-F8
DRIVE SHAFT	172	1-112
FENDER, FR.	105	1-G2
FENDER, RR.	178	1-J3
FINAL DRIVEN GEAR	130	1-H3
FOOTPEGS	166	1-19
FRAME	196	1-J12
FUEL PUMP	152	1-12
FUEL TANK	136	1-H6
GEARSHIFT PEDAL	164	1-B
HANDLEBAR	96	1-F10
HEADLIGHT	78	1-F1
HORN	100	1-F12
IGNITION COIL	188	1-B
INSTRUMENTS	80	1-F2
MAIN STAND	169	1-110
MUFFLER	160	1-H6
RADIATOR	191	1-J9
RECTIFIER	144	1-H10
SEAT	141	1-H8
SHOCK ABSORBER	175	1-J1
SHOCK ABSORBER, FR.	106	1-G3
SIDE COVER	144	1-H10
SIDE STAND	169	1-110
SPARK UNIT	178	1-J3
STEERING STEM	100	1-F12
SWINGARM	172	1-112
SWITCHES	85	1-F4
TAILLIGHT	185	1-J6
TOOLS	200	1-K2
TOP BRIDGE	96	1-F10
TURN SIGNAL	180	1-J4
WHEEL, FR.	118	1-G9
WHEEL, RR.	127	1-H1
WIRE HARNESS	188	1-J8

VF1100C'83 ENGINE NO.; SC12E-2000039 TO 2018597  
 VF1100C'83 FRAME NO.; SC120-DM000029 TO DM017677  
 VF1100C'84 ENGINE NO.; SC12E-2100001 TO 2116075  
 VF1100C'84 FRAME NO.; SC120-EA100001 TO EA117064

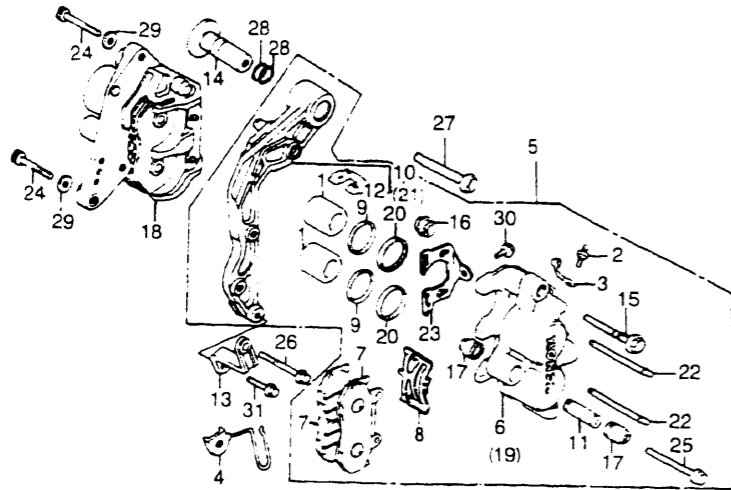
VF1100C'84 ENGINE NO.; SC12E-2102298 TO 2114635  
 VF1100C'84 FRAME NO.; SC121-EA100004 TO EA117067  
 VF1100C'85 ENGINE NO.; SC12E-2200001 TO 2208055  
 VF1100C'85 FRAME NO.; SC120-FA200006 TO FA208465

VF1100C'85 ENGINE NO.; SC12E-2200001 TO 2206580  
 VF1100C'85 FRAME NO.; SC121-FA200001 TO FA206845  
 VF1100C'86 ENGINE NO.; SC12E-2300020 TO 2304336  
 VF1100C'86 FRAME NO.; SC120-GM300101 TO GM304425

VF1100C'86 ENGINE NO.; SC12E-2300001 TO 2302532  
 VF1100C'86 FRAME NO.; SC121-GM301306 TO GM302625



# FRONT BRAKE CALIPER



F14MB4D10

Ref. No.	BLOCK NO. DESCRIPTION	F-10	VF1100C				AREA CODE	FRAME SERIAL NUMBER	QTY REQ	PART NUMBER	HONDA CODE
			1	1	1	1					
			3	4	5	6					
21	BRACKET COMP., R. FR.		3				A		1	45210-MB4-006 1387968	
				4	5	6			1	45210-MB4-006 1387968	
22	PIN, HANGER RETAINER GROOVE, 4.0MM DIA.		3				A		4	45215-MA3-006 1012046	
				4	5	6			4	45215-MA3-006 1012046	
23	PLATE		3				A		2	45217-MA3-006 1012053	
				4					2	45217-MA3-006 1012053	
	PLATE				5	6			2	45217-MJ0-006 1743590	
24	BOLT, SOCKET, 10X40		3				A		2	90164-460-840 1113257	
				4	5	6			2	90164-460-840 1113257	
25	BOLT, FLANGE, 8X49		3				A		2	90180-MA3-006 1053107	
				4	5	6			2	90180-MA3-006 1053107	
26	BOLT, FLANGE, 8X55		3				A		1	90180-MA3-660 1213107	
				4	5	6			1	90180-MA3-660 1213107	
27	BOLT, FLANGE, 10X53		3				A		1	90185-MC7-003 1251214	
									1	90185-MC7-010 1290626	
	BOLT, FLANGE, 10X53		3				A		1	90185-MC7-010 1290626	
									1	90185-MC7-013 1260785	
	BOLT, FLANGE, 10X50		3				A		1	90185-MC7-013 1260785	
				4	5	6			1	90185-MC7-013 1260785	

Ref. No.	BLOCK NO. DESCRIPTION	F-10	VF1100C				AREA CODE	FRAME SERIAL NUMBER	QTY REQ	PART NUMBER	HONDA CODE
			1	1	1	1					
			3	4	5	6					
28	O-RING, 16.8X1.9		3				A		2	91302-MC7-611 1218544	
				4					2	91302-MC7-611 1218544	
					5		A	FA208195	2	91302-MC7-611 1218544	
					5		AC		2	91302-MC7-611 1218544	
	O-RING, 16.8X1.9		3		5		A		2	91347-PY3-000 3676855	
				4	6				2	91347-PY3-000 3676855	
					5		AC		2	91347-PY3-000 3676855	
	O-RING, 16.8X1.9				5		A	FA208196	2	91351-GA7-000 1452036	
					6				2	91351-GA7-000 1452036	
29	WASHER, PLAIN, 10MM		3				A		2	94102-10000 0172551	
				4	5	6			2	94102-10000 0172551	
30	BOLT, FLANGE, 6X10		3				A		2	95700-06010-07 0663930	
				4	5	6			2	95700-06010-07 0663930	
	BOLT, FLANGE, 6X10		3				A		2	95701-06010-07 2374734	
				4	5	6			2	95701-06010-07 2374734	
31	BOLT, FLANGE, 8X20		3				A		1	95700-08020-07 1213339	
				4	5	6			1	95700-08020-07 1213339	
	BOLT, FLANGE, 8X20		3				A		1	95701-08020-07 2759363	
				4	5	6			1	95701-08020-07 2759363	
NI	NI BRAKE PAD KIT		3				A		2	451A0-MJ1-670 3529146	
				4	5	6			2	451A0-MJ1-670 3529146	

CONTENTS		
TITLE	PAGE	GRID
AIR CLEANER	156	1-I4
BATTERY	152	1-I2
BRAKE CALIPER, FR	114	1-G7
BRAKE CALIPER, RR	124	1-G12
BRAKE CONTROL LEVER	88	1-F6
BRAKE MASTER CYL. FR	88	1-F6
BRAKE MASTER CYL. RR	121	1-G10
BRAKE PEDAL	164	1-I8
CABLES	85	1-F4
CANISTER 84-85	202	1-K3
CANISTER 86	204	1-K4
CLUTCH CONTROL LEVER	92	1-F8
CLUTCH MASTER CYLINDER	92	1-F8
DRIVE SHAFT	172	1-I12
FENDER, FR	105	1-G2
FENDER, RR	178	1-J3
FINAL DRIVEN GEAR	130	1-H3
FOOTPEGS	166	1-I9
FRAME	196	1-J12
FUEL PUMP	152	1-I2
FUEL TANK	136	1-H6
GEARSHIFT PEDAL	164	1-I8
HANDLEBAR	96	1-F10
HEADLIGHT	78	1-F1
HORN	100	1-F12
IGNITION COIL	188	1-J8
INSTRUMENTS	80	1-F2
MAIN STAND	169	1-I10
MUFFLER	160	1-I6
RADIATOR	191	1-J9
RECTIFIER	144	1-H10
SEAT	141	1-H8
SHOCK ABSORBER	175	1-J1
SHOCK ABSORBER, FR	106	1-G3
SIDE COVER	144	1-H10
SIDE STAND	169	1-I10
SPARK UNIT	178	1-J3
STEERING STEM	100	1-F12
SWINGARM	172	1-I12
SWITCHES	85	1-F4
TAILLIGHT	185	1-J6
TOOLS	200	1-K2
TOP BRIDGE	96	1-F10
TURN SIGNAL	180	1-J4
WHEEL, FR	118	1-G9
WHEEL, RR	127	1-H1
WIRE HARNESS	188	1-J8

VF1100C'83 ENGINE NO.; SC12E-2000039 TO 2018597  
 VF1100C'83 FRAME NO.; SC120-DM000029 TO DM017677  
 VF1100C'84 ENGINE NO.; SC12E-2100001 TO 2116075  
 VF1100C'84 FRAME NO.; SC120-EA100001 TO EA117064

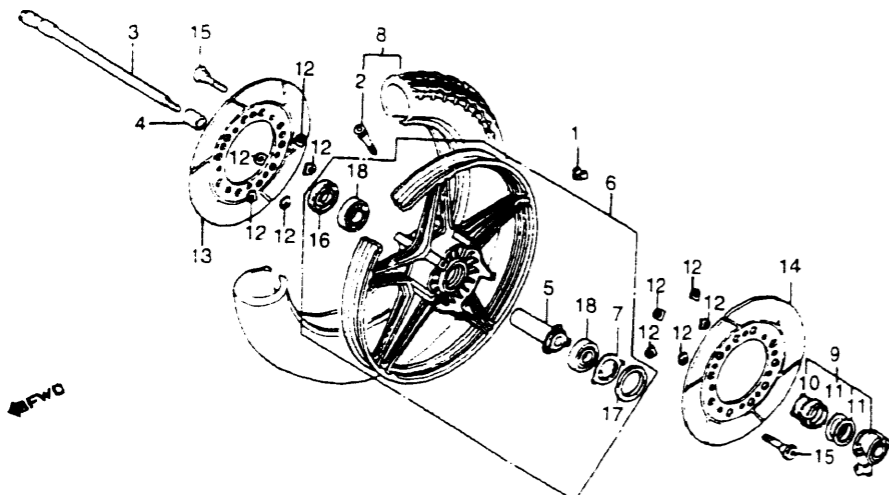
VF1100C'84 ENGINE NO.; SC12E-2102298 TO 2114635  
 VF1100C'84 FRAME NO.; SC121-EA100004 TO EA117067  
 VF1100C'85 ENGINE NO.; SC12E-2200001 TO 2208055  
 VF1100C'85 FRAME NO.; SC120-FA200006 TO FA208465

VF1100C'85 ENGINE NO.; SC12E-2200001 TO 2206580  
 VF1100C'85 FRAME NO.; SC121-FA200001 TO FA206845  
 VF1100C'86 ENGINE NO.; SC12E-2300020 TO 2304336  
 VF1100C'86 FRAME NO.; SC120-GM300101 TO GM304425

VF1100C'86 ENGINE NO.; SC12E-2300001 TO 2302532  
 VF1100C'86 FRAME NO.; SC121-GM301306 TO GM302625



# FRONT WHEEL



F14MB4D11

Ref. No.	BLOCK NO. F-11	VF1100C				AREA CODE	FRAME SERIAL NUMBER		QTY REQ	PART NUMBER	HONDA CODE
		1	1	1	1		FROM	TO			
3 = VF1100C'83		1	1	1	1						
4 = VF1100C'84		9	8	9	8						
5 = VF1100C'85		8	8	8	8						
6 = VF1100C'86		3	4	5	6						
1 WEIGHT, BALANCE (10G) .....	3	---	---	---	---	A	---	---	AR 42704-MB0-000	1272319	
WEIGHT, BALANCE (20G) .....	3	---	4	5	6	A	---	---	AR 42704-MB0-000	1272319	
WEIGHT, BALANCE (30G) .....	3	---	---	---	---	A	---	---	AR 42705-MB0-000	1247881	
2 VALVE, RIM (BRIDGESTONE) .....	3	---	---	---	---	A	---	---	AR 42705-MB0-000	1247881	
VALVE, RIM .....	3	---	---	---	---	A	---	---	AR 42706-MB0-000	1247899	
3 AXLE, FR. WHEEL .....	3	---	---	---	---	A	---	---	AR 42706-MB0-000	1247899	
4 COLLAR, FR. WHEEL SIDE .....	3	---	---	---	---	A	---	---	1 42753-425-003	1032465	
5 COLLAR COMP., FR. AXLE DISTANCE ..	3	---	---	---	---	A	---	---	1 42753-425-003	1032465	
6 WHEEL COMP., FR. ....	3	---	---	---	---	A	---	---	1 42753-425-004	1041128	
WHEEL COMP., FR. ....	3	---	4	5	6	A	---	---	1 42753-425-004	1041128	
7 RETAINER, GEAR BOX .....	3	---	---	---	---	A	---	---	1 44301-461-770	0946335	
8 TIRE ASSY., FR. (BS) (110/90-18 61H) .....	3	---	---	---	---	A	---	---	1 44301-461-770	0946335	
TIRE ASSY., FR. (110/90-1P 61H DUNLOP) .....	3	---	---	---	---	A	---	---	1 44311-461-770	0946343	
TIRE ASSY., FR. (BS) (M110/90-18 L303W) .....	3	---	---	---	---	A	---	---	1 44311-461-770	0946343	
TIRE ASSY., FR. (110/90-18 61H DUNLOP) .....	3	---	---	---	---	A	---	---	1 44620-MB0-000	1248020	
TIRE ASSY., FR. (HAM) (M110/90-18 DUNLOP) .....	3	---	---	---	---	A	---	---	1 44620-MB0-000	1248020	
TIRE ASSY., FR. (110/90-18 61H DUNLOP) .....	3	---	---	---	---	A	---	---	1 44650-MB1-315	1517184	
9 BOX ASSY., SPEEDOMETER GEAR .....	3	---	---	---	---	A	---	---	1 44650-MB4-770	1715978	
10 GEAR, SPEEDOMETER .....	3	---	---	---	---	A	---	---	EA114115		
11 WASHER, SPEEDOMETER GEAR .....	3	---	---	---	---	A	---	---			
12 SHIM, DAMPING .....	3	---	---	---	---	A	---	---			
13 DISK, R. FR. BRAKE .....	3	---	---	---	---	A	---	---			
DISK, R. FR. BRAKE .....	3	---	4	5	---	A	---	---			
14 DISK, L. FR. BRAKE .....	3	---	---	---	---	A	---	---			
DISK, L. FR. BRAKE .....	3	---	---	---	---	A	---	---			
15 BOLT, FR. DISK, 8X59 .....	3	---	---	---	---	A	---	---			
BOLT, FR. DISK, 8X57 .....	3	---	4	5	---	A	---	---			

VF1100C'83 ENGINE NO.; SC12E-2000039 TO 2018597  
 VF1100C'83 FRAME NO.; SC120-DM000029 TO DM017677  
 VF1100C'84 ENGINE NO.; SC12E-2100001 TO 2116075  
 VF1100C'84 FRAME NO.; SC120-EA100001 TO EA117064

VF1100C'84 ENGINE NO.; SC12E-2102298 TO 2114635  
 VF1100C'84 FRAME NO.; SC121-EA100004 TO EA117067  
 VF1100C'85 ENGINE NO.; SC12E-2200001 TO 2208055  
 VF1100C'85 FRAME NO.; SC120-FA200006 TO FA208465

Ref. No.	BLOCK NO. F-11	VF1100C				AREA CODE	FRAME SERIAL NUMBER		QTY REQ	PART NUMBER	HONDA CODE
		1	1	1	1		FROM	TO			
3 = VF1100C'83		1	1	1	1						
4 = VF1100C'84		9	8	9	8						
5 = VF1100C'85		8	8	8	8						
6 = VF1100C'86		3	4	5	6						
6 WHEEL COMP., FR. ....		---	4	---	---		EA114115	1	44650-MB4-771	1811447	
7 RETAINER, GEAR BOX .....	3	---	4	5	6	A	---	1	44650-MB4-771	1811447	
8 TIRE ASSY., FR. (BS) (110/90-18 61H) .....	3	---	4	5	6	A	---	1	44680-410-000	0482968	
TIRE ASSY., FR. (110/90-1P 61H DUNLOP) .....	3	---	4	5	6	A	---	1	44680-410-000	0482968	
TIRE ASSY., FR. (BS) (M110/90-18 L303W) .....	3	---	---	---	---	A	---	1	44710-MB1-671	1248061	
TIRE ASSY., FR. (110/90-18 61H DUNLOP) .....	3	---	4	5	6	A	---	1	44710-MB1-671	1248061	
TIRE ASSY., FR. (HAM) (M110/90-18 DUNLOP) .....	3	---	---	---	---	A	---	1	44710-MB1-672	1248079	
TIRE ASSY., FR. (110/90-18 61H DUNLOP) .....	3	---	4	5	6	A	---	1	44710-MB1-672	1248079	
TIRE ASSY., FR. (110/90-18 61H DUNLOP) .....	3	---	---	---	---	A	---	1	44710-MB4-671	1390814	
TIRE ASSY., FR. (110/90-18 61H DUNLOP) .....	3	---	4	5	6	A	---	1	44710-MB4-671	1390814	
TIRE ASSY., FR. (HAM) (M110/90-18 DUNLOP) .....	3	---	---	---	---	A	---	1	44710-MG1-673	1288976	
TIRE ASSY., FR. (110/90-18 61H DUNLOP) .....	3	---	4	5	6	A	---	1	44710-MG1-673	1288976	
9 BOX ASSY., SPEEDOMETER GEAR .....	3	---	---	---	---	A	---	1	44710-MG8-673	2014090	
10 GEAR, SPEEDOMETER .....	3	---	4	5	6	A	---	1	44710-MG8-673	2014090	
11 WASHER, SPEEDOMETER GEAR .....	3	---	---	---	---	A	---	2	44800-MB0-013	2450765	
12 SHIM, DAMPING .....	3	---	4	5	6	A	---	1	44800-MB0-013	2450765	
13 DISK, R. FR. BRAKE .....	3	---	---	---	---	A	---	1	44806-MB0-003	1248095	
DISK, R. FR. BRAKE .....	3	---	4	5	---	A	---	1	44806-MB0-003	1248095	
14 DISK, L. FR. BRAKE .....	3	---	---	---	---	A	---	2	44809-402-000	0433896	
DISK, L. FR. BRAKE .....	3	---	4	5	---	A	---	2	44809-402-000	0433896	
15 BOLT, FR. DISK, 8X59 .....	3	---	---	---	---	A	---	10	45128-ME2-003	1390830	
BOLT, FR. DISK, 8X57 .....	3	---	---	---	---	A	---	10	45128-ME2-003	1390830	
6 WHEEL COMP., FR. ....		---	---	---	---	A	---	1	45251-MB1-700	1291749	
WHEEL COMP., FR. ....		---	4	5	---	A	---	1	45251-MB1-700	1291749	
7 RETAINER, GEAR BOX .....	3	---	---	---	---	A	---	1	45251-MK3-010	2247963	
8 TIRE ASSY., FR. (BS) (110/90-18 61H) .....	3	---	---	---	---	A	---	1	45351-MB1-700	1291756	
TIRE ASSY., FR. (110/90-1P 61H DUNLOP) .....	3	---	4	5	---	A	---	1	45351-MB1-700	1291756	
TIRE ASSY., FR. (BS) (M110/90-18 L303W) .....	3	---	---	---	---	A	---	1	45351-MK3-010	2247971	
TIRE ASSY., FR. (110/90-18 61H DUNLOP) .....	3	---	---	---	---	A	---	10	90105-ME2-000	1390848	
TIRE ASSY., FR. (HAM) (M110/90-18 DUNLOP) .....	3	---	4	5	---	A	---	10	90105-ME2-000	1390848	
TIRE ASSY., FR. (110/90-18 61H DUNLOP) .....	3	---	---	---	---	A	---	10	90106-MF2-010	2045888	
TIRE ASSY., FR. (110/90-18 61H DUNLOP) .....	3	---	4	5	6	A	---	10	90106-MF2-010	2045888	

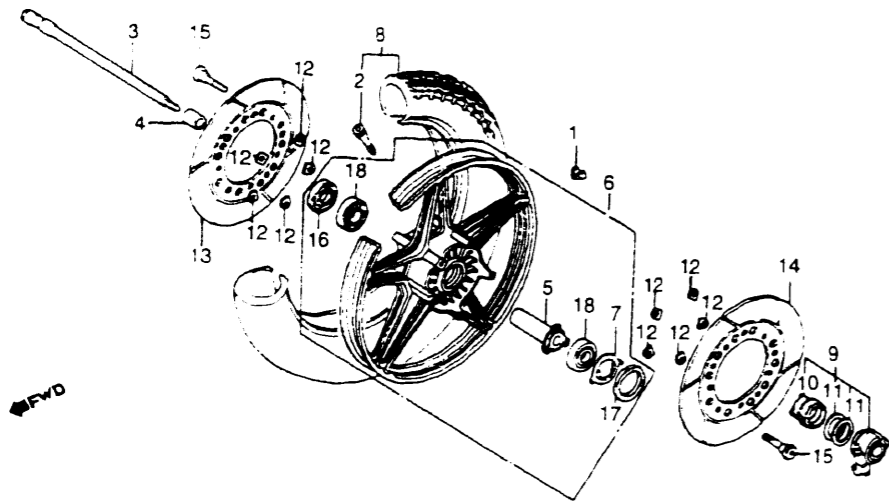
VF1100C'85 ENGINE NO.; SC12E-2200001 TO 2206580  
 VF1100C'85 FRAME NO.; SC121-FA200001 TO FA206845  
 VF1100C'86 ENGINE NO.; SC12E-2300020 TO 2304336  
 VF1100C'86 FRAME NO.; SC120-GM300101 TO GM304425

VF1100C'86 ENGINE NO.; SC12E-2300001 TO 2302532  
 VF1100C'86 FRAME NO.; SC121-GM301306 TO GM302625

# CONTENTS

TITLE	PAGE	GRID
AIR CLEANER	156	1-I4
BATTERY	152	1-I2
BRAKE CALIPER FR	114	1-G7
BRAKE CALIPER RR	124	1-G12
BRAKE CONTROL LEVER	88	1-F6
BRAKE MASTER CYL. FR	88	1-F6
BRAKE MASTER CYL. RR	121	1-G10
BRAKE PEDAL	164	1-I8
CABLES	85	1-F4
CANISTER 84-85	202	1-K3
CANISTER 86	204	1-K4
CLUTCH CONTROL LEVER	92	1-F8
CLUTCH MASTER CYLINDER	92	1-F8
DRIVE SHAFT	172	1-I12
FENDER FR	105	1-G2
FENDER RR	178	1-J3
FINAL DRIVEN GEAR	130	1-H3
FOOTPEGS	166	1-I9
FRAME	196	1-J12
FUEL PUMP	152	1-I2
FUEL TANK	136	1-H6
GEARSHIFT PEDAL	164	1-I8
HANDLEBAR	96	1-F10
HEADLIGHT	78	1-F1
HORN	100	1-F12
IGNITION COIL	188	1-J8
INSTRUMENTS	80	1-F2
MAIN STAND	169	1-I10
MUFFLER	160	1-I6
RADIATOR	191	1-J9
RECTIFIER	144	1-H10
SEAT	141	1-H8
SHOCK ABSORBER	175	1-J1
SHOCK ABSORBER FR	106	1-G3
SIDE COVER	144	1-H10
SIDE STAND	169	1-I10
SPARK UNIT	178	1-J3
STEERING STEM	100	1-F12
SWINGARM	172	1-I12
SWITCHES	85	1-F4
TAILLIGHT	185	1-J6
TOOLS	200	1-K2
TOP BRIDGE	96	1-F10
TURN SIGNAL	180	1-J4
WHEEL FR	118	1-G9
WHEEL RR	127	1-H1
WIRE HARNESS	188	1-J8

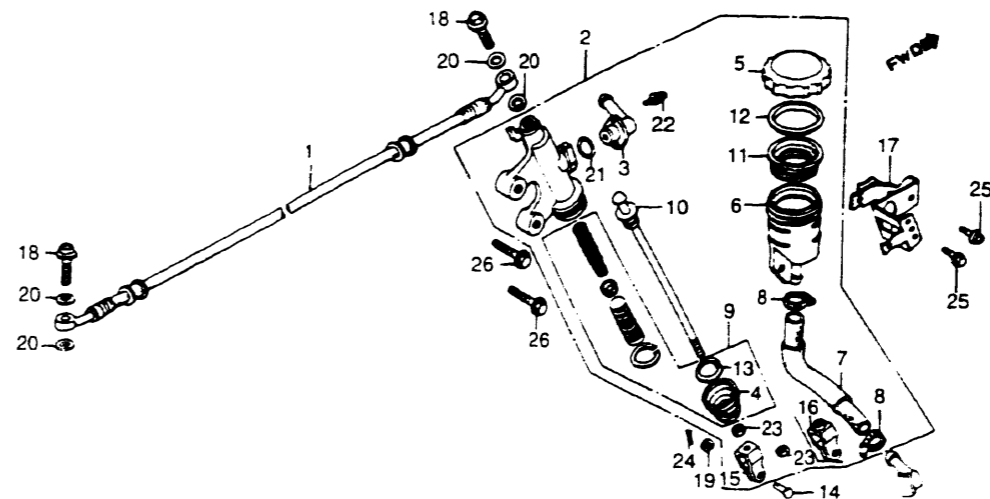
# FRONT WHEEL



F14MB4D11

Ref. No.	BLOCK NO. DESCRIPTION	VF1100C				AREA CODE	FRAME SERIAL NUMBER		QTY REQ	PART NUMBER	HONDA CODE
		3	4	5	6		FROM	TO			
	3 = VF1100C'83 4 = VF1100C'84 5 = VF1100C'85 6 = VF1100C'86	1	1	1	1	A	-----	1	91252-MC7-003	1210913	
		8	8	8	8						
	16 SEAL, DUST, 22X42X7 .....	3	---	---	---	A	-----	1	91252-MC7-003	1210913	
		---	4	5	6						
	17 DUST SEAL, 40X50X5 .....	3	---	---	---	A	-----	1	91258-410-003	0483800	
		---	4	5	6						
	DUST SEAL, 40X50X5 (NOK) .....	3	---	---	---	A	-----	1	91258-410-006	0912402	
		---	4	5	6						
	DUST SEAL, 40X50X5 (ARAI) .....	3	---	---	---	A	-----	1	91258-410-013	0670992	
		---	4	5	6						
	18 BEARING, RADIAL BALL, 6302UU .....	3	---	---	---	A	-----	2	96150-63020-10	1213347	
		---	4	5	6						
	BEARING, RADIAL BALL, 6302U .....	---	4	5	---	A	-----	2	96140-63020-10	0239889	
		---	---	---	---						

# REAR BRAKE MASTER CYL



F14MB4D12

Ref. No.	BLOCK NO. DESCRIPTION	VF1100C				AREA CODE	FRAME SERIAL NUMBER		QTY REQ	PART NUMBER	HONDA CODE
		3	4	5	6		FROM	TO			
	3 = VF1100C'83 4 = VF1100C'84 5 = VF1100C'85 6 = VF1100C'86	1	1	1	1	A	-----	1	43310-MB4-003	1387778	
		8	8	8	8						
	1 HOSE, RR. BRAKE .....	3	---	---	---	A	-----	1	43310-MB4-003	1387778	
		---	4	---	6						
	HOSE, RR. BRAKE .....	3	---	---	---	A	-----	1	43310-MB4-013	1811439	
		---	4	5	6						
	HOSE, RR. BRAKE .....	---	---	---	6	A	-----	1	43310-MB4-023	2250645	
		---	---	---	---						
	2 CYLINDER ASSY., RR. BRAKE MASTER .....	3	---	---	---	A	-----	1	43500-MB4-000	1387802	
		---	---	---	---						
	CYLINDER ASSY., RR. BRAKE MASTER .....	3	---	---	---	A	-----	1	43500-MB4-010	1715960	
		---	4	5	6						
	3 CONNECTOR, MASTER CYLINDER .....	3	---	---	---	A	-----	1	43503-422-006	0693408	
		---	4	5	6						
	4 BOOT, MASTER CYLINDER .....	3	---	---	---	A	-----	1	43504-371-013	0707331	
		---	4	5	6						
	5 CAP COMP., OIL CUP .....	3	---	---	---	A	-----	1	43510-MB4-671	1434919	
		---	4	5	---						
	CAP COMP., OIL CUP .....	---	---	---	6	A	-----	1	43513-MB4-672	1853951	
		---	---	---	---						
	6 CUP, MASTER CYLINDER OIL .....	3	---	---	---	A	-----	1	43511-443-761	1217124	
		---	4	5	6						
	7 HOSE, MASTER CYLINDER .....	3	---	---	---	A	-----	1	43512-MB4-000	1387810	
		---	---	---	---						

AMERICAN HONDA MOTOR CO. INC 1994

121

# CONTENTS

TITLE	PAGE	GRID
AIR CLEANER	156	1-I4
BATTERY	152	1-I2
BRAKE CALIPER, FR.	114	1-G7
BRAKE CALIPER, RR.	124	1-G12
BRAKE CONTROL LEVER	88	1-F6
BRAKE MASTER CYL. FR.	88	1-F6
BRAKE MASTER CYL. RR.	121	1-G10
BRAKE PEDAL	164	1-I8
CABLES	85	1-F4
CANISTER 84-85	202	1-K3
CANISTER 86	204	1-K4
CLUTCH CONTROL LEVER	92	1-F8
CLUTCH MASTER CYLINDER	92	1-F8
DRIVE SHAFT	172	1-I12
FENDER, FR.	105	1-G2
FENDER, RR.	178	1-J3
FINAL DRIVEN GEAR	130	1-H3
FOOTPEGS	166	1-I9
FRAME	196	1-J12
FUEL PUMP	152	1-I2
FUEL TANK	136	1-H6
GEARSHIFT PEDAL	164	1-I8
HANDLEBAR	96	1-F10
HEADLIGHT	78	1-F1
HORN	100	1-F12
IGNITION COIL	188	1-J8
INSTRUMENTS	80	1-F2
MAIN STAND	169	1-I10
MUFFLER	160	1-I6
RADIATOR	191	1-J9
RECTIFIER	144	1-H10
SEAT	141	1-H8
SHOCK ABSORBER	175	1-J1
SHOCK ABSORBER, FR.	106	1-G3
SIDE COVER	144	1-H10
SIDE STAND	169	1-I10
SPARK UNIT	178	1-J3
STEERING STEM	100	1-F12
SWINGARM	172	1-I12
SWITCHES	85	1-F4
TAILLIGHT	185	1-J6
TOOLS	200	1-K2
TOP BRIDGE	96	1-F10
TURN SIGNAL	180	1-J4
WHEEL, FR.	118	1-G9
WHEEL, RR.	127	1-H1
WIRE HARNESS	188	1-J8

GRID

1-G10

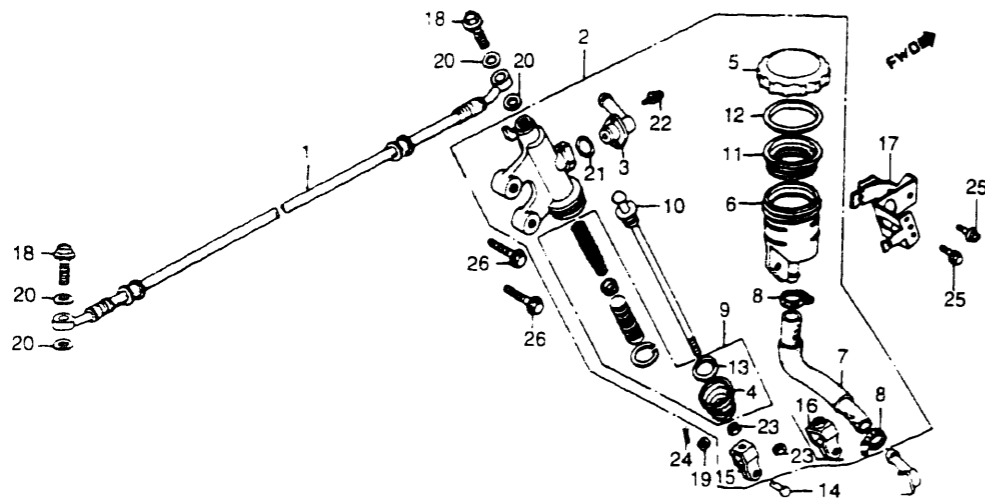
VF1100C'83 ENGINE NO.; SC12E-2000039 TO 2018597  
 VF1100C'83 FRAME NO.; SC120-DM000029 TO DM017677  
 VF1100C'84 ENGINE NO.; SC12E-2100001 TO 2116075  
 VF1100C'84 FRAME NO.; SC120-EA100001 TO EA117064

VF1100C'84 ENGINE NO.; SC12E-2102298 TO 2114635  
 VF1100C'84 FRAME NO.; SC121-EA100004 TO EA117067  
 VF1100C'85 ENGINE NO.; SC12E-2200001 TO 2208055  
 VF1100C'85 FRAME NO.; SC120-FA200006 TO FA208465

VF1100C'85 ENGINE NO.; SC12E-2200001 TO 2206580  
 VF1100C'85 FRAME NO.; SC121-FA200001 TO FA206845  
 VF1100C'86 ENGINE NO.; SC12E-2300020 TO 2304336  
 VF1100C'86 FRAME NO.; SC120-GM300101 TO GM304425

VF1100C'86 ENGINE NO.; SC12E-2300001 TO 2302532  
 VF1100C'86 FRAME NO.; SC121-GM301306 TO GM302625

# REAR BRAKE MASTER CYL



F14MB4D12

Ref. No.	BLOCK NO. DESCRIPTION	VF1100C				AREA CODE	FRAME SERIAL NUMBER		QTY REQ	PART NUMBER	HONDA CODE
		1	2	3	4		FROM	TO			
		1	1	1	1						
		9	9	9	9						
		8	8	8	8						
		3	4	5	6						
7	HOSE, MASTER CYLINDER	3				A			1	43512-MB4-010 1715952	
			4	5	6				1	43512-MB4-010 1715952	
8	CLAMP, MASTER CYLINDER OIL HOSE	3				A			2	43514-445-771 0817593	
			4	5	6				2	43514-445-771 0817593	
9	CYLINDER SET, MASTER	3				A			1	43520-461-771 0946749	
			4	5	6				1	43520-461-771 0946749	
10	ROD COMP., PUSH	3				A			1	43530-MB4-000 1387828	
			4	5	6				1	43530-MB4-000 1387828	
11	DIAPHRAGM	3				A			1	45520-300-000 0194480	
			4	5	6				1	45520-300-000 0194480	
12	PLATE, DIAPHRAGM	3				A			1	45521-MJ6-006 1764968	
			4	5	6				1	45521-MJ6-006 1764968	
	PLATE, DIAPHRAGM	3				A			1	45521-300-010 0200733	
			4	5	6				1	45521-300-010 0200733	
13	CIRCLIP	3				A			1	46182-500-013 0506139	
			4	5	6				1	46182-500-013 0506139	
14	PIN, BRAKE ROD	3				A			1	46503-371-000 0407502	
			4	5	6				1	46503-371-000 0407502	
15	JOINT, BRAKE ROD	3				A			1	46504-MB2-006 1430149	
			4	5	6				1	46504-MB2-006 1430149	

3 = VF1100C'83  
4 = VF1100C'84  
5 = VF1100C'85  
6 = VF1100C'86

Ref. No.	BLOCK NO. DESCRIPTION	VF1100C				AREA CODE	FRAME SERIAL NUMBER		QTY REQ	PART NUMBER	HONDA CODE
		1	2	3	4		FROM	TO			
		1	1	1	1						
		9	9	9	9						
		8	8	8	8						
		3	4	5	6						
16	JOINT, BRAKE ROD	3				A			1	46504-445-771 0817684	
			4	5	6				1	50195-MB4-000 1388032	
17	STAY, MASTER CYLINDER OIL CUP	3				A			1	50195-MB4-000 1388032	
			4	5	6				2	90145-KE8-000 1310994	
18	BOLT, OIL, 10X22	3				A			2	90145-KE8-000 1310994	
			4	5	6				2	90145-KM3-750 2072775	
	BOLT, OIL, 10X22	3				A			2	90145-KM3-750 2072775	
			4	5	6				2	90145-VM0-000 1787043	
	BOLT, OIL, 10X22	3				A			2	90145-VM0-000 1787043	
			4	5	6				2	90145-961-010 1792548	
	BOLT, OIL, 10X22	3				A			2	90145-961-010 1792548	
			4	5	6				1	90501-310-000 0113654	
19	WASHER, 7X12	3				A			1	90501-310-000 0113654	
			4	5	6				4	90545-300-000 0189902	
20	WASHER, OIL BOLT	3				A			4	90545-300-000 0189902	
			4	5	6				4	90545-300-000 0189902	
21	O-RING, 14.8X2.4	3				A			1	91212-422-006 0693481	
			4	5	6				1	91212-422-006 0693481	
22	SCREW-WASHER, 4X12	3				A			2	93893-04012-08 0677989	
			4	5	6				2	93893-04012-08 0677989	
	SCREW-WASHER, 4X12	3				A			2	93893-04012-18 0954412	
			4	5	6				2	93893-04012-18 0954412	
23	NUT, HEX., 8MM	3				A			1	94002-08000-0S 0156075	
			4	5	6				2	94002-08000-0S 0156075	
24	PIN, COTTER 1.6X15	3				A			1	94201-16150 0058313	
			4	5	6				1	94201-16150 0058313	
	PIN, COTTER 1.6X25	3				A			1	94201-16250 0058339	
			4	5	6				1	94201-16250 0058339	
25	BOLT, FLANGE, 6X12	3				A			2	95700-06012-00 0487025	
			4	5	6				2	95700-06012-00 0487025	
	BOLT, FLANGE, 6X12	3				A			2	95701-06012-00 2105799	
			4	5	6				2	95701-06012-00 2105799	
26	BOLT, FLANGE, 8X20	3				A			2	95800-08020-00 1390855	
			4	5	6				2	95800-08020-00 1390855	
	BOLT, FLANGE, 8X20	3				A			2	95801-08020-00 3046331	
			4	5	6				2	95801-08020-00 3046331	
	BOLT, FLANGE, 8X20	3				A			2	95700-08020-00 0477463	
			4	5	6				2	95700-08020-00 0477463	
	BOLT, FLANGE, 8X20	3				A			2	95701-08020-00 2552552	
			4	5	6				2	95701-08020-00 2552552	

VF1100C'83 ENGINE NO.; SC12E-2000039 TO 2018597  
VF1100C'83 FRAME NO.; SC120-DM000029 TO DM017677  
VF1100C'84 ENGINE NO.; SC12E-2100001 TO 2116075  
VF1100C'84 FRAME NO.; SC120-EA100001 TO EA117064

VF1100C'84 ENGINE NO.; SC12E-2102298 TO 2114635  
VF1100C'84 FRAME NO.; SC121-EA100004 TO EA117067  
VF1100C'85 ENGINE NO.; SC12E-2200001 TO 2208055  
VF1100C'85 FRAME NO.; SC120-FA200006 TO FA208465

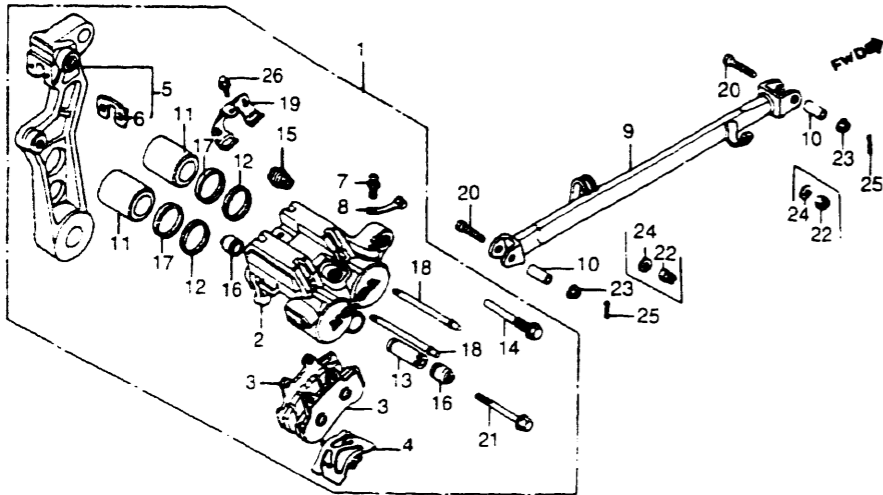
VF1100C'85 ENGINE NO.; SC12E-2200001 TO 2206580  
VF1100C'85 FRAME NO.; SC121-FA200001 TO FA206845  
VF1100C'86 ENGINE NO.; SC12E-2300020 TO 2304336  
VF1100C'86 FRAME NO.; SC120-GM300101 TO GM304425

VF1100C'86 ENGINE NO.; SC12E-2300001 TO 2302532  
VF1100C'86 FRAME NO.; SC121-GM301306 TO GM302625

## CONTENTS

TITLE	PAGE	GRID
AIR CLEANER	156	1-I4
BATTERY	152	1-I2
BRAKE CALIPER, FR	114	1-G7
BRAKE CALIPER, RR	124	1-G12
BRAKE CONTROL LEVER	88	1-F6
BRAKE MASTER CYL, FR	88	1-F6
BRAKE MASTER CYL, RR	121	1-G10
BRAKE PEDAL	164	1-I8
CABLES	85	1-F4
CANISTER 84-85	202	1-K3
CANISTER 86	204	1-K4
CLUTCH CONTROL LEVER	92	1-F8
CLUTCH MASTER CYLINDER	92	1-F8
DRIVE SHAFT	172	1-I12
FENDER, FR	105	1-G2
FENDER, RR	178	1-J3
FINAL DRIVEN GEAR	130	1-H3
FOOTPEGS	166	1-I9
FRAME	196	1-J12
FUEL PUMP	152	1-I2
FUEL TANK	136	1-H6
GEARSHIFT PEDAL	164	1-I8
HANDLEBAR	96	1-F10
HEADLIGHT	78	1-F1
HORN	100	1-F12
IGNITION COIL	188	1-J8
INSTRUMENTS	80	1-F2
MAIN STAND	169	1-I10
MUFFLER	160	1-I6
RADIATOR	191	1-J9
RECTIFIER	144	1-H10
SEAT	141	1-H8
SHOCK ABSORBER	175	1-J1
SHOCK ABSORBER, FR	106	1-G3
SIDE COVER	144	1-H10
SIDE STAND	169	1-I10
SPARK UNIT	178	1-J3
STEERING STEM	100	1-F12
SWINGARM	172	1-I12
SWITCHES	85	1-F4
TAILLIGHT	185	1-J6
TOOLS	200	1-K2
TOP BRIDGE	96	1-F10
TURN SIGNAL	180	1-J4
WHEEL, FR	118	1-G9
WHEEL, RR	127	1-H1
WIRE HARNESS	188	1-J8

# REAR BRAKE CALIPER



F14MB4D13

Ref. No.	BLOCK NO. DESCRIPTION	VF1100C				AREA CODE	FRAME SERIAL NUMBER	QTY REQ	PART NUMBER	HONDA CODE
		3	4	5	6					
	3 = VF1100C'83 4 = VF1100C'84 5 = VF1100C'85 6 = VF1100C'86	1 9 8 3	1 9 8 4	1 9 8 5	1 9 8 6	A				
1	CALIPER ASSY., RR. ....	3	---	---	---	A	---	1	43100-MB4-007	1387703
		---	4	---	---	A	---	1	43100-MB4-007	1387703
	CALIPER ASSY., RR. ....	3	---	---	---	A	---	1	43100-MB4-008	1387711
		---	4	---	---	A	---	1	43100-MB4-008	1387711
	CALIPER ASSY., RR. ....	---	---	5	6	A	---	1	43100-MB4-681	1811405
	CALIPER ASSY., RR. ....	---	---	5	6	A	---	1	43100-MB4-682	1811413
2	CALIPER COMP., RP. ....	3	---	---	---	A	---	1	43101-MB4-006	1387729
		---	4	5	6	A	---	1	43101-MB4-006	1387729
3	PAD COMP., RR. (ASK) (SEE KIT P/N--END OF BLOCK) ....	3	---	---	---	A	---	2	43105-MB4-007	1387745
		---	4	5	6	A	---	2	43105-MB4-007	1387745
	PAD COMP., RR. (T.T.) (SEE KIT P/N--END OF BLOCK) ....	3	---	---	---	A	---	2	43105-MB4-008	1387752
		---	4	5	6	A	---	2	43105-MB4-008	1387752
	PAD COMP., RR. (TT) (SEE KIT P/N--END OF BLOCK) ....	---	---	5	6	A	---	2	43105-MB6-008	1743400
4	SPRING, PAD .....	3	---	---	---	A	---	1	43108-MB9-781	1300672
		---	4	5	6	A	---	1	43108-MB9-781	1300672

Ref. No.	BLOCK NO. DESCRIPTION	VF1100C				AREA CODE	FRAME SERIAL NUMBER	QTY REQ	PART NUMBER	HONDA CODE
		3	4	5	6					
	3 = VF1100C'83 4 = VF1100C'84 5 = VF1100C'85 6 = VF1100C'86	1 9 8 3	1 9 8 4	1 9 8 5	1 9 8 6	A				
5	BRACKET COMP., RR. ....	3	---	---	---	A	---	1	43110-MB4-006	1387760
		---	4	5	6	A	---	1	43110-MB4-006	1387760
6	RETAINER, RR. BRACKET .....	3	---	---	---	A	---	1	43112-445-631	1092881
		---	4	5	6	A	---	1	43112-445-631	1092881
7	SCREW, BLEEDER .....	3	---	---	---	A	---	1	43352-568-003	0505735
		---	4	5	6	A	---	1	43352-568-003	0505735
8	CAP, BLEEDER SCREW .....	3	---	---	---	A	---	1	43353-461-771	0954230
		---	4	5	6	A	---	1	43353-461-771	0954230
9	ARM, RR. BRAKE STOPPER .....	3	---	---	---	A	---	1	43431-MB4-000	1387794
		---	4	5	6	A	---	1	43431-MB4-000	1387794
	ARM, RR. BRAKE STOPPER .....	---	---	---	6	A	---	1	43431-MB4-010	2250660
10	COLLAR, LINK .....	3	---	---	---	A	---	2	43435-392-000	0415158
		---	4	5	6	A	---	2	43435-392-000	0415158
11	PISTON .....	3	---	---	---	A	---	2	45107-MA3-006	1011949
		---	4	5	6	A	---	2	45107-MA3-006	1011949
12	DUST SEAL .....	3	---	---	---	A	---	2	45109-166-006	1011964
		---	4	5	6	A	---	2	45109-166-006	1011964
13	SLEEVE .....	3	---	---	---	A	---	1	45111-MA3-006	1011980
		---	4	5	6	A	---	1	45111-MA3-006	1011980
14	BOLT, PIN .....	3	---	---	---	A	---	1	45131-MA3-006	1012004
		---	4	5	6	A	---	1	45131-MA3-006	1012004
15	BOOT (B) .....	3	---	---	---	A	---	1	45133-MA3-006	1012012
		---	4	5	6	A	---	1	45133-MA3-006	1012012
16	BOOT, PIN .....	3	---	---	---	A	---	2	45133-166-016	1012020
		---	4	5	6	A	---	2	45133-166-016	1012020
17	SEAL, PISTON .....	3	---	---	---	A	---	2	45209-166-006	1012038
		---	4	5	6	A	---	2	45209-166-006	1012038
18	PIN, HANGER .....	3	---	---	---	A	---	2	45215-MA2-006	1059880
		---	4	5	6	A	---	2	45215-MA2-006	1059880
19	PLATE .....	3	---	---	---	A	---	1	45217-MA3-006	1012053
		---	4	---	---	A	---	1	45217-MA3-006	1012053
	PLATE .....	---	---	5	6	A	---	1	45217-MJL-006	1743590
20	BOLT, RR. BRAKE STOPPER ARM .....	3	---	---	---	A	---	2	90124-392-000	0415869
		---	4	5	6	A	---	2	90124-392-000	0415869
21	BOLT, FLANGE, 8X49 .....	3	---	---	---	A	---	1	90180-MA3-006	1053107
		---	4	5	6	A	---	1	90180-MA3-006	1053107
22	NUT, SELF LOCK 8MM .....	3	---	---	---	A	---	2	94011-08000-CS	0251678
23	NUT, FLANGE, 8MM .....	---	4	5	6	A	---	2	94050-08000	0481143

# CONTENTS

TITLE	PAGE	GRID
AIR CLEANER	156	1-I4
BATTERY	152	1-I2
BRAKE CALIPER FR	114	1-G7
BRAKE CALIPER RR	124	1-G12
BRAKE CONTROL LEVER	88	1-F6
BRAKE MASTER CYL. FR	88	1-F6
BRAKE MASTER CYL. RR	121	1-G10
BRAKE PEDAL	164	1-I8
CABLES	85	1-F4
CANISTER 84-85	202	1-K3
CANISTER 86	204	1-K4
CLUTCH CONTROL LEVER	92	1-F8
CLUTCH MASTER CYLINDER	92	1-F8
DRIVE SHAFT	172	1-I12
FENDER FR	105	1-G2
FENDER RR	178	1-J3
FINAL DRIVEN GEAR	130	1-H3
FOOTPEGS	166	1-I9
FRAME	196	1-J12
FUEL PUMP	152	1-I2
FUEL TANK	136	1-H6
GEARSHIFT PEDAL	164	1-I8
HANDLEBAR	96	1-F10
HEADLIGHT	78	1-F1
HORN	100	1-F12
IGNITION COIL	188	1-J8
INSTRUMENTS	80	1-F2
MAIN STAND	169	1-I10
MUFFLER	160	1-H6
RADIATOR	191	1-J9
RECTIFIER	144	1-H10
SEAT	141	1-H8
SHOCK ABSORBER	175	1-J1
SHOCK ABSORBER FR	106	1-G3
SIDE COVER	144	1-H10
SIDE STAND	169	1-I10
SPARK UNIT	178	1-J3
STEERING STEM	100	1-F12
SWINGARM	172	1-I12
SWITCHES	85	1-F4
TAILLIGHT	185	1-J6
TOOLS	200	1-K2
TOP BRIDGE	96	1-F10
TURN SIGNAL	180	1-J4
WHEEL FR	118	1-G9
WHEEL RR	127	1-H1
WIRE HARNESS	188	1-J8

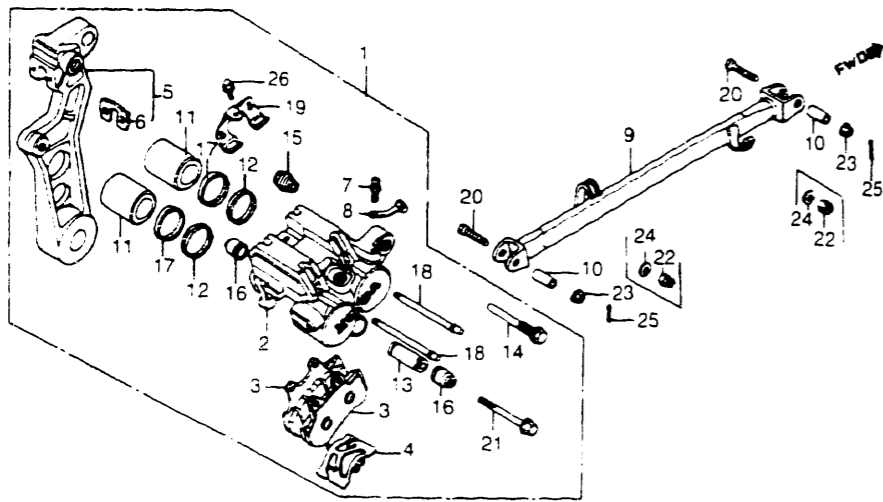
VF1100C'83 ENGINE NO.; SC12E-2000039 TO 2018597  
 VF1100C'83 FRAME NO.; SC120-DM000029 TO DM017677  
 VF1100C'84 ENGINE NO.; SC12E-2100001 TO 2116075  
 VF1100C'84 FRAME NO.; SC120-EA100001 TO EA117064

VF1100C'84 ENGINE NO.; SC12E-2102298 TO 2114635  
 VF1100C'84 FRAME NO.; SC121-EA100004 TO EA117067  
 VF1100C'85 ENGINE NO.; SC12E-2200001 TO 2208055  
 VF1100C'85 FRAME NO.; SC120-FA200006 TO FA208465

VF1100C'85 ENGINE NO.; SC12E-2200001 TO 2206580  
 VF1100C'85 FRAME NO.; SC121-FA200001 TO FA206845  
 VF1100C'86 ENGINE NO.; SC12E-2300020 TO 2304336  
 VF1100C'86 FRAME NO.; SC120-GM300101 TO GM304425

VF1100C'86 ENGINE NO.; SC12E-2300001 TO 2302532  
 VF1100C'86 FRAME NO.; SC121-GM301306 TO GM302625

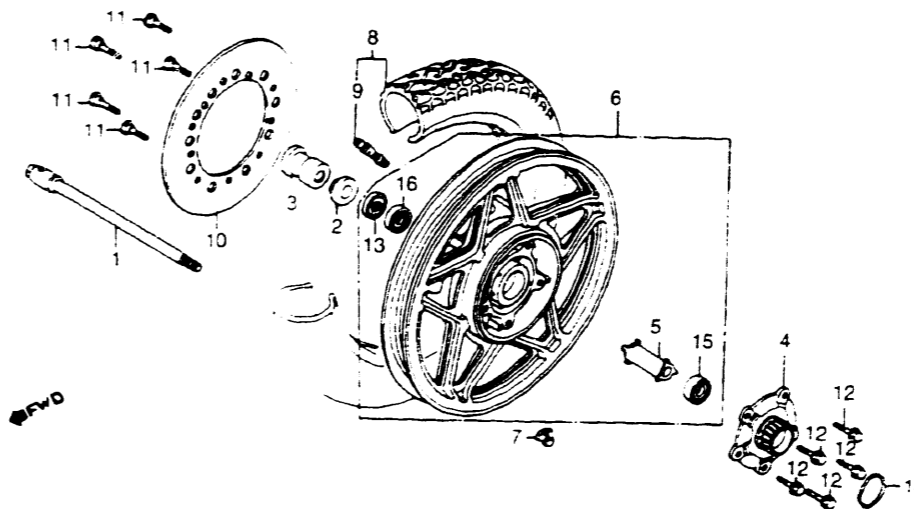
# REAR BRAKE CALIPER



F14MB4D13

Ref. No.	BLOCK NO	F-13	VF1100C				AREA CODE	FRAME SERIAL NUMBER		QTY REQ	PART NUMBER	HONDA CODE
			3	4	5	6		FROM	TO			
			1	1	1							
			9	8	8	8						
			3	4	5	6						
24	WASHER, PLAIN, 8MM		3				A		2	94101-08000	0059097	
25	PIN, COTTER 2.0X15		3				A		2	94201-20150	0058347	
				4	5	6			2	94201-20150	0058347	
26	BOLT, FLANGE, 6X10		3				A		1	95700-06010-07	0663930	
				4	5	6			1	95700-06010-07	0663930	
	BOLT, FLANGE, 6X10		3				A		1	95701-06010-07	2374734	
				4	5	6			1	95701-06010-07	2374734	
NI	BRAKE PAD KIT		3				A		1	431A0-MB4-307	3211570	
				4	5	6			1	431A0-MB4-307	3211570	

# REAR WHEEL



F14MB4D14

Ref. No.	BLOCK NO	F-14	VF1100C				AREA CODE	FRAME SERIAL NUMBER		QTY REQ	PART NUMBER	HONDA CODE
			3	4	5	6		FROM	TO			
			1	1	1	1						
			9	8	8	8						
			3	4	5	6						
1	AXLE, RR. WHEEL		3				A		1	42301-MB4-000	1387653	
				4	5	6			1	42301-MB4-000	1387653	
2	SPACER, RR. BRAKE SIDE		3				A		1	42312-463-000	0383199	
				4	5	6			1	42312-463-000	0883199	
3	COLLAR, RR. BRAKE SIDE		3				A		1	42313-MB4-000	1387661	
				4	5	6			1	42313-MB4-000	1387661	
4	FLANGE, FINAL DRIVEN		3				A		1	42615-MB0-700	1293190	
				4	5	6			1	42615-MB0-700	1293190	
5	COLLAR, RR. AXLE DISTANCE		3				A		1	42620-MB4-000	1387679	
				4	5	6			1	42620-MB4-000	1387679	
6	WHEEL COMP., RR.		3				A		1	42650-MB4-305	1387695	
	WHEEL COMP., RR.			4				EA114115	1	42650-MB4-770	1718360	
	WHEEL COMP., RR.			4				EA114115	1	42650-MB4-771	1811371	
				4	5	6			1	42650-MB4-771	1811371	
7	WEIGHT, BALANCE (10G)		3				A		AR	42704-MB0-000	1272319	
				4	5	6			AR	42704-MB0-000	1272319	
	WEIGHT, BALANCE (20G)		3				A		AR	42705-MB0-000	1247881	
				4	5	6			AR	42705-MB0-000	1247881	

AMERICAN HONDA MOTOR CO. INC 1994 127

# CONTENTS

TITLE	PAGE	GRID
AIR CLEANER	156	1-I4
BATTERY	152	1-I2
BRAKE CALIPER, FR.	114	1-G7
BRAKE CALIPER, RR.	124	1-G12
BRAKE CONTROL LEVER	88	1-F6
BRAKE MASTER CYL. FR.	88	1-F6
BRAKE MASTER CYL. RR.	121	1-G10
BRAKE PEDAL	164	1-I8
CABLES	85	1-F4
CANISTER 84-85	202	1-K3
CANISTER 86	204	1-K4
CLUTCH CONTROL LEVER	92	1-F8
CLUTCH MASTER CYLINDER	92	1-F8
DRIVE SHAFT	172	1-I12
FENDER, FR.	105	1-G2
FENDER, RR.	178	1-J3
FINAL DRIVEN GEAR	130	1-H3
FOOTPEGS	166	1-I9
FRAME	196	1-J12
FUEL PUMP	152	1-I2
FUEL TANK	136	1-H6
GEARSHIFT PEDAL	164	1-I8
HANDLEBAR	96	1-F10
HEADLIGHT	78	1-F1
HORN	100	1-F12
IGNITION COIL	188	1-J8
INSTRUMENTS	8	1-F2
MAIN STAND	169	1-I10
MUFFLER	160	1-I6
RADIATOR	191	1-J9
RECTIFIER	144	1-H10
SEAT	141	1-H8
SHOCK ABSORBER	175	1-J1
SHOCK ABSORBER, FR.	106	1-G3
SIDE COVER	144	1-H10
SIDE STAND	169	1-I10
SPARK UNIT	178	1-J3
STEERING STEM	100	1-F12
SWINGARM	172	1-I12
SWITCHES	85	1-F4
TAILLIGHT	185	1-J6
TOOLS	200	1-K2
TOP BRIDGE	96	1-F10
TURN SIGNAL	180	1-J4
WHEEL, FR.	118	1-G9
WHEEL, RR.	127	1-H1
WIRE HARNESS	188	1-J8

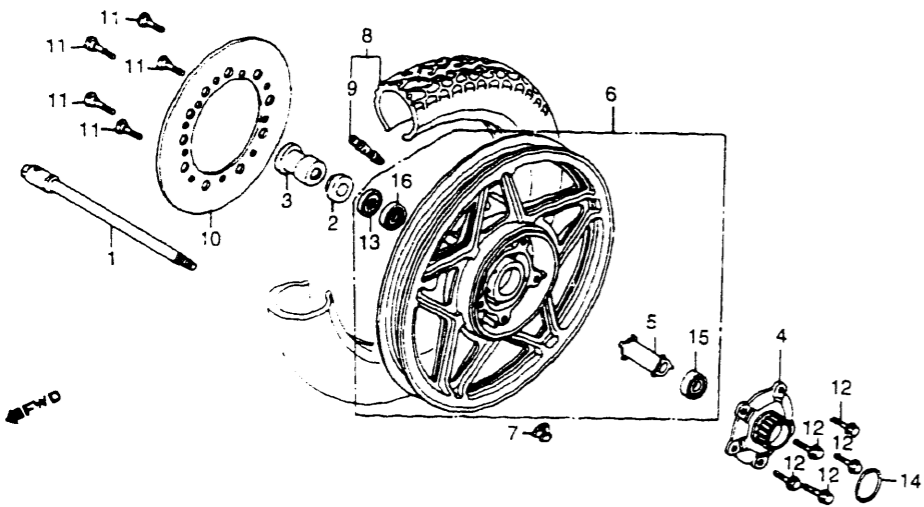
VF1100C'83 ENGINE NO.; SC12E-2000039 TO 2018597  
 VF1100C'83 FRAME NO.; SC120-DM000029 TO DM017677  
 VF1100C'84 ENGINE NO.; SC12E-2100001 TO 2116075  
 VF1100C'84 FRAME NO.; SC12C-EA100001 TO EA117064

VF1100C'84 ENGINE NO.; SC12E-2102298 TO 2114635  
 VF1100C'84 FRAME NO.; SC121-EA100004 TO EA117067  
 VF1100C'85 ENGINE NO.; SC12E-2200001 TO 2208055  
 VF1100C'85 FRAME NO.; SC120-FA200006 TO FA208465

VF1100C'85 ENGINE NO.; SC12E-2200001 TO 2206580  
 VF1100C'85 FRAME NO.; SC121-FA200001 TO FA206845  
 VF1100C'86 ENGINE NO.; SC12E-2300002 TO 2304336  
 VF1100C'86 FRAME NO.; SC120-GM300101 TO GM304425

VF1100C'86 ENGINE NO.; SC12E-2300001 TO 2302532  
 VF1100C'86 FRAME NO.; SC121-GM301306 TO GM302625

# REAR WHEEL



F14MB4D14

Ref. No.	BLOCK NO. DESCRIPTION	VF1100C				AREA CODE	FRAME SERIAL NUMBER		QTY REQ	PART NUMBER	HONDA CODE
		1	2	3	4		FROM	TO			
	3 = VF1100C'83 4 = VF1100C'84 5 = VF1100C'85 6 = VF1100C'86	1	1	1	1						
		9	8	8	8						
		3	4	5	6						
7	WEIGHT, BALANCE (30G) .....	3	--	--	--	A	----	----	AR	42706-MB0-000	1247899
		--	4	5	6				AR	42706-MB0-000	1247899
8	TIRE ASSY., RR. (BS) (M140/90-16 G508H) .....	3	--	--	--	A	----	----	1	42710-MB4-671	1390863
		--	4	5	6				1	42710-MB4-671	1390863
	TIRE ASSY., RR. (HAM) (140/90-16 71H DUNLOP) .....	3	--	--	--	A	----	----	1	42710-MB4-672	1390871
		--	4	5	6				1	42710-MB4-672	1390871
	TIRE ASSY., RR. (BS) (M140/90-16 G508H) .....	3	--	--	--	A	----	----	1	42710-MB4-673	1537448
		--	4	5	6				1	42710-MB4-673	1537448
	TIRE ASSY., RR. (HAM) (140/90-16 71H DUNLOP) .....	3	--	--	--	A	----	----	1	42710-MB4-773	1546811
		--	4	5	6				1	42710-MB4-773	1546811
9	VALVE, RIM (BRIDGESTONE) .....	3	--	--	--	A	----	----	1	42753-425-003	1032465
		--	4	5	6				1	42753-425-003	1032465
	VALVE, RIM .....	3	--	--	--	A	----	----	1	42753-425-004	1041128
		--	4	5	6				1	42753-425-004	1041128
10	DISK, RR. BRAKE .....	3	--	--	--	A	----	----	1	43351-MB4-000	1387786
		--	4	5	--				1	43351-MB4-000	1387786

128 AMERICAN HONDA MOTOR CO. INC. 1994

VF1100C'83 ENGINE NO.; SC12E-2000039 TO 2018597  
 VF1100C'83 FRAME NO.; SC120-DM000029 TO DM017677  
 VF1100C'84 ENGINE NO.; SC12E-2100001 TO 2116075  
 VF1100C'84 FRAME NO.; SC120-EA100001 TO EA117064

VF1100C'84 ENGINE NO.; SC12E-2102298 TO 2114635  
 VF1100C'84 FRAME NO.; SC121-EA100004 TO EA117067  
 VF1100C'85 ENGINE NO.; SC12E-2200001 TO 2208055  
 VF1100C'85 FRAME NO.; SC120-FA200006 TO FA208465

1-H2

Ref. No.	BLOCK NO. DESCRIPTION	VF1100C				AREA CODE	FRAME SERIAL NUMBER		QTY REQ	PART NUMBER	HONDA CODE
		1	2	3	4		FROM	TO			
		1	1	1	1						
		9	8	8	8						
		3	4	5	6						
10	DISK, RR. BRAKE .....	--	--	--	6				1	43351-MB4-830	2250652
11	BOLT, FR. DISK, 8X33 .....	3	--	--	--	A	----	----	5	90105-MB0-000	1250901
		--	4	5	--				5	90105-MB0-000	1250901
	BOLT, FR. DISK, 8X33 .....	3	--	--	--	A	----	----	5	90105-MB0-010	2028785
		--	4	5	6				5	90105-MB0-010	2028785
12	BOLT, UBS, 10X34 .....	3	--	--	--	A	----	----	5	90130-MC7-000	1210814
		--	4	5	6				5	90130-MC7-000	1210814
13	DUST SEAL, 30X52X7 .....	3	--	--	--	A	----	----	1	91253-442-003	0827337
		--	4	5	6				1	91253-442-003	0827337
	DUST SEAL, 30X52X7 .....	3	--	--	--	A	----	----	1	91253-442-004	1012400
		--	4	5	6				1	91253-442-004	1012400
14	O-RING, 46X5X3.5 .....	3	--	--	--	A	----	----	1	91358-MB0-000	1251610
		--	4	5	6				1	91358-MB0-000	1251610
15	BEARING, RADIAL BALL, 6204UU ....	3	--	--	--	A	----	----	1	96150-62040-10	1050483
		--	4	5	6				1	96150-62040-10	1050483
16	BEARING, RADIAL BALL, 6304UU ....	3	--	--	--	A	----	----	1	96150-63040-10	0486068
		--	4	5	6				1	96150-63040-10	0486068

AMERICAN HONDA MOTOR CO. INC. 1994 129

VF1100C'85 ENGINE NO.; SC12E-2200001 TO 2206580  
 VF1100C'85 FRAME NO.; SC121-FA200001 TO FA206845  
 VF1100C'86 ENGINE NO.; SC12E-2300020 TO 2304336  
 VF1100C'86 FRAME NO.; SC120-GM300101 TO GM304425

VF1100C'86 ENGINE NO.; SC12E-2300001 TO 2302532  
 VF1100C'86 FRAME NO.; SC121-GM301306 TO GM302625

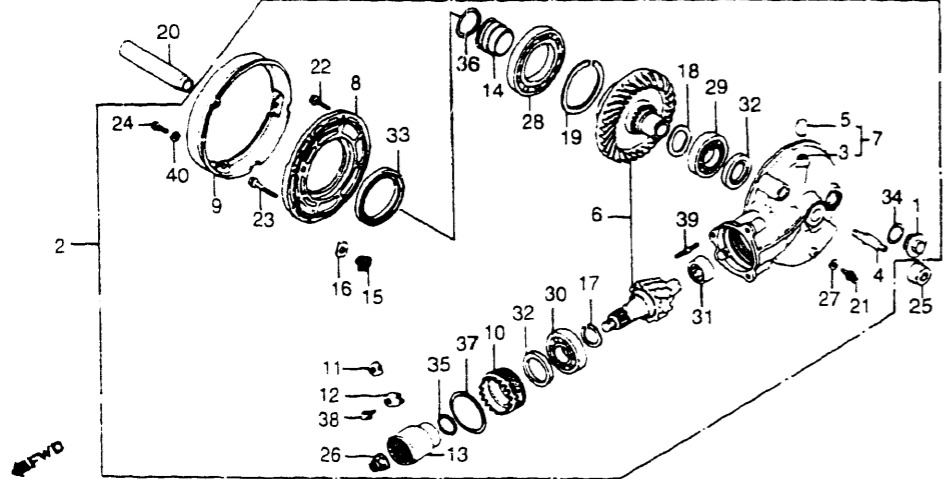
# CONTENTS

TITLE	PAGE	GRID
AIR CLEANER	156	1-I4
BATTERY	152	1-I2
BRAKE CALIPER, FR.	114	1-G7
BRAKE CALIPER, RR.	124	1-G12
BRAKE CONTROL LEVER	88	1-F6
BRAKE MASTER CYL. FR.	88	1-F6
BRAKE MASTER CYL. RR.	121	1-G10
BRAKE PEDAL	164	1-I8
CABLES	85	1-F4
CANISTER 84-85	202	1-K3
CANISTER 86	204	1-K4
CLUTCH CONTROL LEVER	92	1-F8
CLUTCH MASTER CYLINDER	92	1-F8
DRIVE SHAFT	172	1-I12
FENDER, FR.	105	1-G2
FENDER, RR.	178	1-J3
FINAL DRIVEN GEAR	130	1-H3
FOOTPEGS	166	1-I9
FRAME	196	1-J12
FUEL PUMP	152	1-I2
FUEL TANK	136	1-H6
GEARSHIFT PEDAL	164	1-I8
HANDLEBAR	96	1-F10
HEADLIGHT	78	1-F1
HORN	100	1-F12
IGNITION COIL	188	1-J8
INSTRUMENTS	80	1-F2
MAIN STAND	169	1-I10
MUFFLER	160	1-I6
RADIATOR	191	1-J9
RECTIFIER	144	1-H10
SEAT	141	1-H8
SHOCK ABSORBER	175	1-J1
SHOCK ABSORBER, FR.	106	1-G3
SIDE COVER	144	1-H10
SIDE STAND	169	1-I10
SPARK UNIT	178	1-J3
STEERING STEM	100	1-F12
SWINGARM	172	1-I12
SWITCHES	85	1-F4
TAILLIGHT	185	1-J6
TOOLS	200	1-K2
TOP BRIDGE	96	1-F10
TURN SIGNAL	180	1-J4
WHEEL, FR.	118	1-G9
WHEEL, RR.	127	1-H1
WIRE HARNESS	188	1-J8

GRID

1-H2

# FINAL DRIVEN GEAR



F14MB4D15

Ref. No.	BLOCK NO. DESCRIPTION	VF1100C				AREA CODE	FRAME SERIAL NUMBER		QTY REQ	PART NUMBER	HONDA CODE
		1	2	3	4		FROM	TO			
	3 = VF1100C'83 4 = VF1100C'84 5 = VF1100C'85 6 = VF1100C'86	1	1	1	1						
		9	9	9	9						
		8	8	8	8						
		3	4	5	6						
1	CAP, TAPPET ADJUSTING HOLE	3				A			1	12361-035-000 0069625	
			4	5	6				1	12361-035-000 0069625	
	CAP, TAPPET ADJUSTING HOLE	3				A			1	12361-300-000 0188870	
			4	5	6				1	12361-300-000 0188870	
	CAP, TAPPET ADJUSTING HOLE	3				A			1	12361-371-980 0454934	
			4	5	6				1	12361-371-980 0454934	
2	GEAR ASSY., FINAL DRIVEN	3				A			1	41300-MB4-000 1387638	
									1	41300-MB4-770 1542638	
	GEAR ASSY., FINAL DRIVEN	3				A			1	41300-MB4-771 1811355	
			4						1	41300-MB4-771 1811355	
				5			FA205584		1	41300-MB4-771 1811355	
	GEAR ASSY., FINAL DRIVEN	3				A			1	41300-MB4-774 2013944	
			4	5	6				1	41300-MB4-774 2013944	
				5			FA205584		1	41300-MB4-774 2013944	
3	CASE, FINAL GEAR DRIVEN	3				A			1	41301-MB4-000 1387646	
			4				EA112521		1	41301-MB4-770 1542646	
	CASE, FINAL GEAR DRIVEN		4				EA112522		1	41301-MB4-771 1811363	
				5			FA205584		1	41301-MB4-771 1811363	

Ref. No.	BLOCK NO. DESCRIPTION	VF1100C				AREA CODE	FRAME SERIAL NUMBER		QTY REQ	PART NUMBER	HONDA CODE
		1	2	3	4		FROM	TO			
	3 = VF1100C'83 4 = VF1100C'84 5 = VF1100C'85 6 = VF1100C'86	1	1	1	1						
		9	9	9	9						
		8	8	8	8						
		3	4	5	6						
3	CASE, FINAL GEAR DRIVEN			5			FA205585		1	41301-MB4-774 2250629	
					6				1	41301-MB4-774 2250629	
4	STAY, RUBBER LOWER	3				A			1	41303-ME4-300 1379486	
			4	5	6				1	41303-ME4-300 1379486	
5	CAP, BREATHER	3				A			1	41306-MB0-010 1316736	
			4	5	6				1	41306-MB0-010 1316736	
	BREATHER ASSY.	3				A			1	41306-ME5-305 1534924	
			4	5	6				1	41306-ME5-305 1534924	
6	GEAR SET, FINAL	3				A			1	41310-MB4-305 1390889	
			4	5	6				1	41310-MB4-305 1390889	
7	CASE SET, FINAL GEAR		4	5					1	41311-MB4-770 1550706	
			4	5	6				1	41311-MB4-773 1955194	
8	COVER, GEAR CASE	3				A			1	41312-MB4-770 2107431	
									1	41321-MB0-010 1316744	
	COVER, GEAR CASE	3				A			1	41321-MB0-010 1316744	
			4	5	6				1	41321-ME5-770 1536226	
9	PLATE, DUST GUARD	3				A			1	41324-MB0-010 1316751	
			4	5	6				1	41324-MB0-010 1316751	
10	RETAINER, BEARING	3				A			1	41331-MB0-000 1247584	
			4	5	6				1	41331-MB0-000 1247584	
11	LOCK, BEARING ADJUSTING (A)	3				A			1	41332-415-000 0669176	
			4	5	6				1	41332-415-000 0669176	
12	LOCK, BEARING ADJUSTING (B)	3				A			1	41333-415-000 0669184	
			4	5	6				1	41333-415-000 0669184	
13	JOINT, PINION	3				A			1	41410-ME5-000 1378207	
			4	5	6				1	41410-ME5-000 1378207	
14	HOLDER, O-RING	3				A			1	41433-MB0-010 1316769	
			4	5	6				1	41433-MB0-010 1316769	
15	PIN, RING GEAR STOPPER	3				A			1	41436-MB0-310 1316777	
			4	5	6				1	41436-MB0-310 1316777	
16	SHIM A, STOPPER PIN (0.10)	3				A			AR	41437-MB0-310 1316785	
			4	5	6				AR	41437-MB0-310 1316785	
	SHIM B, STOPPER PIN (0.15)	3				A			AR	41438-MB0-310 1316793	
			4	5	6				AR	41438-MB0-310 1316793	
17	SHIM A, PINION GEAR (1.82)	3				A			1	41450-MB0-000 1247642	
			4	5	6				1	41450-MB0-000 1247642	
	SHIM B, PINION GEAR (1.88)	3				A			1	41451-MB0-000 1247659	
			4	5	6				1	41451-MB0-000 1247659	

# CONTENTS

TITLE	PAGE	GRID
AIR CLEANER	156	1-I4
BATTERY	152	1-I2
BRAKE CALIPER, FR.	114	1-G7
BRAKE CALIPER, RR.	124	1-G12
BRAKE CONTROL LEVER	88	1-F6
BRAKE MASTER CYL. FR.	88	1-F6
BRAKE MASTER CYL. RR.	121	1-G10
BRAKE PEDAL	164	1-I8
CABLES	85	1-F4
CANISTER 84-85	202	1-K3
CANISTER 86	204	1-K4
CLUTCH CONTROL LEVER	92	1-F8
CLUTCH MASTER CYLINDER	92	1-F8
DRIVE SHAFT	172	1-I12
FENDER, FR.	105	1-G2
FENDER, RR.	178	1-J3
FINAL DRIVEN GEAR	130	1-H3
FOOTPEGS	166	1-I9
FRAME	196	1-J12
FUEL PUMP	152	1-I2
FUEL TANK	136	1-H6
GEARSHIFT PEDAL	164	1-I8
HANDLEBAR	96	1-F10
HEADLIGHT	78	1-F1
HORN	100	1-F12
IGNITION COIL	188	1-J8
INSTRUMENTS	80	1-F2
MAIN STAND	169	1-I10
MUFFLER	160	1-I6
RADIATOR	191	1-J9
RECTIFIER	144	1-H10
SEAT	141	1-H8
SHOCK ABSORBER	175	1-J1
SHOCK ABSORBER, FR.	106	1-G3
SIDE COVER	144	1-H10
SIDE STAND	169	1-I10
SPARK UNIT	178	1-J3
STEERING STEM	100	1-F12
SWINGARM	172	1-I12
SWITCHES	85	1-F4
TAILLIGHT	185	1-J6
TOOLS	200	1-K2
TOP BRIDGE	96	1-F10
TURN SIGNAL	180	1-J4
WHEEL, FR.	118	1-G9
WHEEL, RR.	127	1-H1
WIRE HARNESS	188	1-J8

VF1100C'83 ENGINE NO.; SC12E-2000039 TO 2018597  
 VF1100C'83 FRAME NO.; SC120-DM000029 TO DM017677  
 VF1100C'84 ENGINE NO.; SC12E-2100001 TO 2116075  
 VF1100C'84 FRAME NO.; SC120-EA100001 TO EA117064

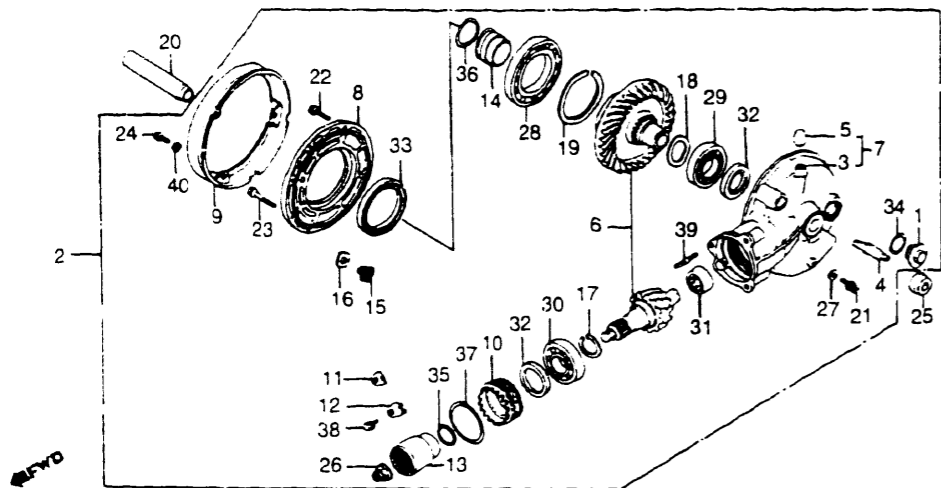
VF1100C'84 ENGINE NO.; SC12E-2102298 TO 2114635  
 VF1100C'84 FRAME NO.; SC121-EA100004 TO EA117067  
 VF1100C'85 ENGINE NO.; SC12E-2200001 TO 2208055  
 VF1100C'85 FRAME NO.; SC120-FA200006 TO FA208465

VF1100C'85 ENGINE NO.; SC12E-2200001 TO 2206580  
 VF1100C'85 FRAME NO.; SC121-FA200001 TO FA206845  
 VF1100C'86 ENGINE NO.; SC12E-2300020 TO 2304336  
 VF1100C'86 FRAME NO.; SC120-GM300101 TO GM304425

VF1100C'86 ENGINE NO.; SC12E-2300001 TO 2302532  
 VF1100C'86 FRAME NO.; SC121-GM301306 TO GM302625



# FINAL DRIVEN GEAR



F14MB4D15

Ref. No.	BLOCK NO. DESCRIPTION	VF1100C				AREA CODE	FRAME SERIAL NUMBER		QTY REQ	PART NUMBER	HONDA CODE
		1	9	8	3		FROM	TO			
		1	9	8	3						
		9	8	3	4						
		8	3	4	5						
		3	4	5	6						
17	SHIM C, PINION GEAR (1.94)	3	---	---	---	A	---	---	1	41452-MB0-000	1247667
		---	4	5	6				1	41452-MB0-000	1247667
	SHIM D, PINION GEAR (2.00)	3	---	---	---	A	---	---	1	41453-MB0-000	1247675
		---	4	5	6				1	41453-MB0-000	1247675
	SHIM E, PINION GEAR (2.06)	3	---	---	---	A	---	---	1	41454-MB0-000	1247683
		---	4	5	6				1	41454-MB0-000	1247683
	SHIM F, PINION GEAR (2.12)	3	---	---	---	A	---	---	1	41455-MB0-000	1247691
		---	4	5	6				1	41455-MB0-000	1247691
	SHIM G, PINION GEAR (2.18)	3	---	---	---	A	---	---	1	41456-MB0-000	1247709
		---	4	5	6				1	41456-MB0-000	1247709
18	WASHER, SPECIAL, 35x40	3	---	---	---	A	---	---	1	41510-MB0-003	1247717
		---	4	5	6				1	41510-MB0-003	1247717
19	SPACER A, RING GEAR (1.82)	3	---	---	---	A	---	---	1	41530-MB0-000	1247725
		---	4	5	6				1	41530-MB0-000	1247725
	SPACER B, RING GEAR (1.88)	3	---	---	---	A	---	---	1	41531-MB0-000	1247733
		---	4	5	6				1	41531-MB0-000	1247733
	SPACER C, RING GEAR (1.94)	3	---	---	---	A	---	---	1	41532-MB0-000	1247741
		---	4	5	6				1	41532-MB0-000	1247741

3 = VF1100C'83  
 4 = VF1100C'84  
 5 = VF1100C'85  
 6 = VF1100C'86

Ref. No.	BLOCK NO. DESCRIPTION	VF1100C				AREA CODE	FRAME SERIAL NUMBER		QTY REQ	PART NUMBER	HONDA CODE
		1	9	8	3		FROM	TO			
		1	9	8	3						
		9	8	3	4						
		8	3	4	5						
		3	4	5	6						
19	SPACER D, RING GEAR (2.00)	3	---	---	---	A	---	---	1	41533-MB0-000	1247758
		---	4	5	6				1	41533-MB0-000	1247758
	SPACER E, RING GEAR (2.06)	3	---	---	---	A	---	---	1	41534-MB0-000	1247766
		---	4	5	6				1	41534-MB0-000	1247766
	SPACER F, RING GEAR (2.12)	3	---	---	---	A	---	---	1	41535-MB0-000	1247774
		---	4	5	6				1	41535-MB0-000	1247774
	SPACER G, RING GEAR (2.18)	3	---	---	---	A	---	---	1	41536-MB0-000	1247782
		---	4	5	6				1	41536-MB0-000	1247782
	SPACER H, RING GEAR (2.24)	3	---	---	---	A	---	---	1	41537-MB0-000	1247790
		---	4	5	6				1	41537-MB0-000	1247790
	SPACER I, RING GEAR (2.30)	3	---	---	---	A	---	---	1	41538-MB0-000	1247808
		---	4	5	6				1	41538-MB0-000	1247808
20	COLLAR B, RR. DISTANCE	3	---	---	---	A	---	---	1	42625-MB4-000	1387687
		---	4	5	6				1	42625-MB4-000	1387687
21	BOLT, SEALING, 8MM	3	---	---	---	A	---	---	1	90109-371-000	0417873
		---	4	5	6				1	90109-371-000	0417873
22	BOLT, FLANGE, 8X27	3	---	---	---	A	---	---	6	90133-MB0-000	1251016
		---	4	5	6				6	90133-MB0-000	1251016
23	BOLT, FLANGE, 10X38	3	---	---	---	A	---	---	2	90134-371-000	0471250
		---	4	5	6				2	90134-371-000	0471250
24	BOLT, HEX., 6X16	3	---	---	---	A	---	---	1	90170-MB0-000	1251206
		---	4	5	6				1	90170-MB0-000	1251206
25	NUT, FLANGE, 18MM	3	---	---	---	A	---	---	1	90305-MB4-003	1384957
		---	4	5	6				1	90305-MB4-003	1384957
26	NUT, HEX., 16MM	3	---	---	---	A	---	---	1	90381-MB0-010	1378223
		---	4	5	6				1	90381-MB0-010	1378223
27	WASHER, 8MM	3	---	---	---	A	---	---	1	90471-580-000	0517144
		---	4	5	6				1	90471-580-000	0517144
28	BEARING, RADIAL BALL, 16012C3	3	---	---	---	A	---	---	1	91051-MB0-005	1251438
		---	4	5	6				1	91051-MB0-005	1251438
29	BEARING, RADIAL BALL, 57/34C3	3	---	---	---	A	---	---	1	91052-MB0-003	1251446
		---	4	5	6				1	91052-MB0-003	1251446
30	BEARING, RADIAL BALL, 6305	3	---	---	---	A	---	---	1	91061-MB0-000	1366475
		---	4	5	6				1	91061-MB0-000	1366475
	BEARING, RADIAL BALL, 6305	3	---	---	---	A	---	---	1	91061-MB0-005	1251461
		---	4	5	6				1	91061-MB0-005	1251461
31	BEARING, NEEDLE, 19/16	3	---	---	---	A	---	---	1	91062-MB0-003	1251479
		---	4	5	6				1	91062-MB0-003	1251479

VF1100C'85 ENGINE NO.; SC12E-2200001 TO 2206580  
 VF1100C'85 FRAME NO.; SC121-FA200001 TO FA206845  
 VF1100C'86 ENGINE NO.; SC12E-2300020 TO 2304336  
 VF1100C'86 FRAME NO.; SC120-GM300101 TO GM304425

VF1100C'86 ENGINE NO.; SC12E-2300001 TO 2302532  
 VF1100C'86 FRAME NO.; SC121-GM301306 TO GM302625

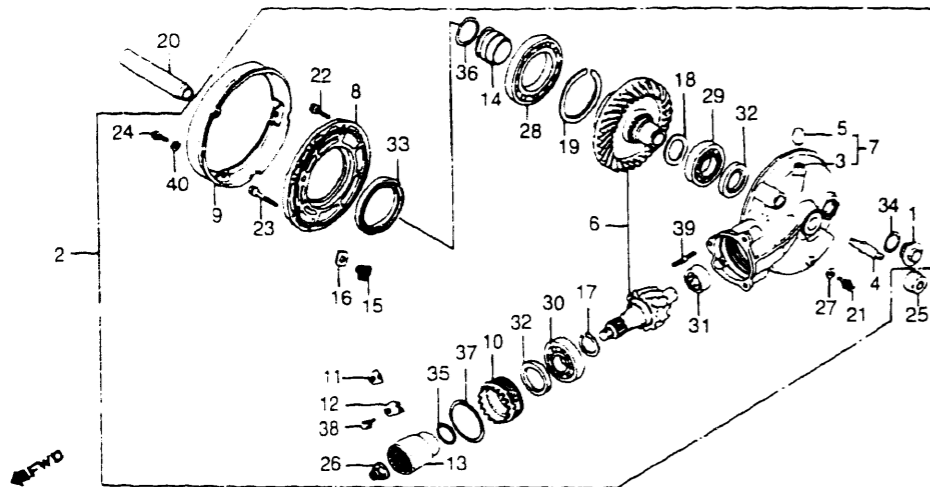
# CONTENTS

TITLE	PAGE	GRID
AIR CLEANER	156	1-4
BATTERY	152	1-2
BRAKE CALIPER, FR.	114	1-G7
BRAKE CALIPER, RR.	124	1-G12
BRAKE CONTROL LEVER	88	1-F6
BRAKE MASTER CYL. FR.	88	1-F6
BRAKE MASTER CYL. RR.	121	1-G10
BRAKE PEDAL	164	1-8
CABLES	85	1-F4
CANISTER 84-85	202	1-K3
CANISTER 86	204	1-K4
CLUTCH CONTROL LEVER	92	1-F8
CLUTCH MASTER CYLINDER	92	1-F8
DRIVE SHAFT	172	1-I12
FENDER, FR.	105	1-G2
FENDER, RR.	178	1-J3
FINAL DRIVEN GEAR	130	1-H3
FOOTPEGS	166	1-I9
FRAME	196	1-J12
FUEL PUMP	152	1-2
FUEL TANK	136	1-H6
GEARSHIFT PEDAL	164	1-8
HANDLEBAR	96	1-F10
HEADLIGHT	78	1-F1
HORN	100	1-F12
IGNITION COIL	188	1-J8
INSTRUMENTS	80	1-F2
MAIN STAND	169	1-I10
MUFFLER	160	1-H6
RADIATOR	191	1-J9
RECTIFIER	144	1-H10
SEAT	141	1-H8
SHOCK ABSORBER	175	1-J1
SHOCK ABSORBER, FR.	106	1-G3
SIDE COVER	144	1-H10
SIDE STAND	169	1-I10
SPARK UNIT	178	1-J3
STEERING STEM	100	1-F12
SWINGARM	172	1-I12
SWITCHES	85	1-F4
TAILLIGHT	185	1-J6
TOOLS	200	1-K2
TOP BRIDGE	96	1-F10
TURN SIGNAL	180	1-J4
WHEEL, FR.	118	1-G9
WHEEL, RR.	127	1-H1
WIRE HARNESS	188	1-J8

VF1100C'83 ENGINE NO.; SC12E-2000039 TO 2018597  
 VF1100C'83 FRAME NO.; SC120-DM000029 TO DM017677  
 VF1100C'84 ENGINE NO.; SC12E-2100001 TO 2116075  
 VF1100C'84 FRAME NO.; SC120-EA100001 TO EA117064

VF1100C'84 ENGINE NO.; SC12E-2102298 TO 2114635  
 VF1100C'84 FRAME NO.; SC121-EA100004 TO EA117067  
 VF1100C'85 ENGINE NO.; SC12E-2200001 TO 2208055  
 VF1100C'85 FRAME NO.; SC120-FA200006 TO FA208465

# FINAL DRIVEN GEAR



F14MB4D15

Ref No	BLOCK NO. DESCRIPTION	VF1100C				AREA CODE	FRAME SERIAL NUMBER		QTY REQ	PART NUMBER	HONDA CODE
		1	2	3	4		FROM	TO			
		1	1	1	1						
		9	9	9	9						
		8	8	8	8						
		3	4	5	6						
31	BEARING, NEEDLE, 19/16	3	---	---	---	A	---	---	1	91062-MB0-013 1810696	
		---	4	---	---		---	---	1	91062-MB0-013 1810696	
		---	---	5	---		FA205584	---	1	91062-MB0-013 1810696	
	BEARING, NEEDLE, 19/18 (TOYO)	---	---	5	---		FA205585	---	1	91062-MB4-773 2016194	
		---	---	---	6		---	---	1	91062-MB4-773 2016194	
	BEARING, NEEDLE, 19/18	---	---	5	---		FA205585	---	1	91062-MB4-774 2016202	
		---	---	---	6		---	---	1	91062-MB4-774 2016202	
	BEARING, NEEDLE, 19/18 (KOYO)	---	---	5	---		FA205585	---	1	91062-MG8-005 2027258	
		---	---	---	6		---	---	1	91062-MG8-005 2027258	
32	OIL SEAL, 34X50X7	3	---	---	---	A	---	---	2	91261-MB0-000 1251495	
		---	4	5	6		---	---	2	91261-MB0-000 1251495	
	OIL SEAL, 34X50X7 (ARAI)	3	---	---	---	A	---	---	2	91261-MB0-003 1266832	
		---	4	5	6		---	---	2	91261-MB0-003 1266832	
	OIL SEAL, 34X50X7 (NOK)	3	---	---	---	A	---	---	2	91261-MB0-005 1292150	
		---	4	5	6		---	---	2	91261-MB0-005 1292150	
33	OIL SEAL, 60X80X8	3	---	---	---	A	---	---	1	91265-MB0-000 1251503	
		---	4	5	6		---	---	1	91265-MB0-000 1251503	
	OIL SEAL, 60X80X8 (ARAI)	3	---	---	---	A	---	---	1	91265-MB0-003 1292168	
		---	4	5	6		---	---	1	91265-MB0-003 1292168	

VF1100C'83 ENGINE NO.; SC12E-2000039 TO 2018597  
 VF1100C'83 FRAME NO.; SC120-DM00029 TO DM017677  
 VF1100C'84 ENGINE NO.; SC12E-2100001 TO 2116075  
 VF1100C'84 FRAME NO.; SC120-EA100001 TO EA117064

VF1100C'84 ENGINE NO.; SC12E-2102298 TO 2114635  
 VF1100C'84 FRAME NO.; SC121-EA100004 TO EA117067  
 VF1100C'85 ENGINE NO.; SC12E-2200001 TO 2208055  
 VF1100C'85 FRAME NO.; SC120-FA200006 TO FA208465

Ref. No	BLOCK NO. DESCRIPTION	VF1100C				AREA CODE	FRAME SERIAL NUMBER		QTY REQ	PART NUMBER	HONDA CODE
		1	2	3	4		FROM	TO			
		1	1	1	1						
		9	9	9	9						
		8	8	8	8						
		3	4	5	6						
34	O-RING, 30.8MM	3	---	---	---	A	---	---	1	91302-001-020 0001065	
		---	4	5	6		---	---	1	91302-001-020 0001065	
35	O-RING, 22X1.9 (ARAI)	3	---	---	---	A	---	---	1	91355-MB0-003 1251578	
		---	4	5	6		---	---	1	91355-MB0-003 1251578	
	O-RING, 22X1.9 (NOK)	3	---	---	---	A	---	---	1	91355-MB0-005 1251586	
		---	4	5	6		---	---	1	91355-MB0-005 1251586	
36	O-RING, 35.X2X2.4	3	---	---	---	A	---	---	1	91356-MB0-000 1251594	
		---	4	5	6		---	---	1	91356-MB0-000 1251594	
	O-RING, 35.2X2.4 (NOK)	3	---	---	---	A	---	---	1	91356-MB0-005 1285410	
		---	4	5	6		---	---	1	91356-MB0-005 1285410	
37	O-RING, 58.5X3.5	3	---	---	---	A	---	---	1	91353-MB0-003 1263839	
		---	4	5	6		---	---	1	91353-MB0-003 1263839	
	O-RING, 58.5X3.5	3	---	---	---	A	---	---	1	91359-MB0-000 1251636	
		---	4	5	6		---	---	1	91359-MB0-000 1251636	
38	BOLT, HEX., 6X12	3	---	---	---	A	---	---	1	92000-06012 0054197	
		---	4	5	6		---	---	1	92000-06012 0054197	
	BOLT, HEX., 6X12	3	---	---	---	A	---	---	1	92101-06012 2738821	
		---	4	5	6		---	---	1	92101-06012 2738821	
	BOLT, HEX., 6X12	3	---	---	---	A	---	---	1	92101-06012-0A 3591500	
		---	4	5	6		---	---	1	92101-06012-0A 3591500	
39	BOLT, STUD, 10X50	3	---	---	---	A	---	---	3	92700-10050-0E 1251719	
		---	4	5	6		---	---	3	92700-10050-0E 1251719	
40	WASHER, PLAIN, 6MM	3	---	---	---	A	---	---	1	94101-06800 0345900	
		---	4	5	6		---	---	1	94101-06800 0345900	

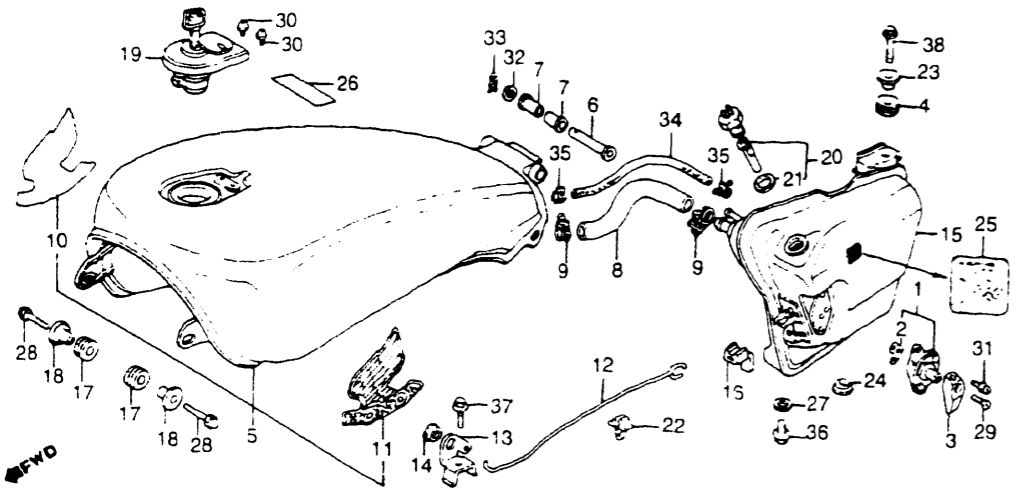
VF1100C'85 ENGINE NO.; SC12E-2200001 TO 2206580  
 VF1100C'85 FRAME NO.; SC121-FA200001 TO FA206845  
 VF1100C'86 ENGINE NO.; SC12E-2300020 TO 2304336  
 VF1100C'86 FRAME NO.; SC120-GM300101 TO GM304425

VF1100C'86 ENGINE NO.; SC12E-2300001 TO 2302532  
 VF1100C'86 FRAME NO.; SC121-GM301306 TO GM302625

# CONTENTS

TITLE	PAGE	GRID
AIR CLEANER	156	1-I4
BATTERY	152	1-I2
BRAKE CALIPER, FR.	114	1-G7
BRAKE CALIPER, RR.	124	1-G12
BRAKE CONTROL LEVER	88	1-F6
BRAKE MASTER CYL. FR.	88	1-F6
BRAKE MASTER CYL. RR.	121	1-G10
BRAKE PEDAL	164	1-I8
CABLES	85	1-F4
CANISTER 84-85	202	1-K3
CANISTER 86	204	1-K4
CLUTCH CONTROL LEVER	92	1-F8
CLUTCH MASTER CYLINDER	92	1-F8
DRIVE SHAFT	172	1-I12
FENDER, FR.	105	1-G2
FENDER, RR.	178	1-J3
FINAL DRIVEN GEAR	130	1-H3
FOOTPEGS	166	1-I9
FRAME	196	1-J12
FUEL PUMP	152	1-I2
FUEL TANK	136	1-H6
GEARSHIFT PEDAL	164	1-I8
HANDLEBAR	96	1-F10
HEADLIGHT	78	1-F1
HORN	100	1-F12
IGNITION COIL	188	1-J8
INSTRUMENTS	80	1-F2
MAIN STAND	169	1-I10
MUFFLER	160	1-I6
RADIATOR	191	1-J9
RECTIFIER	144	1-H10
SEAT	141	1-H8
SHOCK ABSORBER	175	1-J1
SHOCK ABSORBER, FR.	106	1-G3
SIDE COVER	144	1-H10
SIDE STAND	169	1-I10
SPARK UNIT	178	1-J3
STEERING STEM	100	1-F12
SWINGARM	172	1-I12
SWITCHES	85	1-F4
TAILLIGHT	185	1-J6
TOOLS	200	1-K2
TOP BRIDGE	96	1-F10
TURN SIGNAL	180	1-J4
WHEEL, FR.	118	1-G9
WHEEL, RR.	127	1-H1
WIRE HARNESS	188	1-J8

# FUEL TANK



\*CAUTION OR WARNING LABELS MUST BE ORDERED SEPARATELY WHEN APPLICABLE\*

F14MB4D16

- 3 = VF1100C'83
- 4 = VF1100C'84
- 5 = VF1100C'85
- 6 = VF1100C'86

VF1100C			
1	1	1	1
9	9	9	9
8	8	8	8
3	4	5	6

Ref. No.	BLOCK NO.	F-16	QTY	REQ	FRAME SERIAL NUMBER		PART NUMBER	HONDA CODE
					FROM	TO		

5	TANK ASSY., FUEL *NH1Z* (BLACK-Z)	---	4	---	AC	---	---	1	175A1-MB4-881ZA	1893858
	TANK ASSY., FUEL *R131CU* (CANDY ANDROMEDA RED)	---	4	---	AC	---	---	1	175A1-MB4-881ZB	1900174
	TANK SET, FUEL *NH1Z* (BLACK-Z)	---	5	---	A	---	---	1	175B1-MB4-770ZA	1811066
	TANK SET, FUEL *R137PA* (PEARL VINTAGE RED)	---	5	---	A	---	---	1	175B1-MB4-770ZB	1811074
	TANK SET, FUEL *NH1Z* (BLACK-Z)	---	5	---	AC	---	---	1	175B1-MB4-880ZA	1811082
	TANK SET, FUEL *R137PA* (PEARL VINTAGE RED)	---	5	---	AC	---	---	1	175B1-MB4-880ZB	1811090
	TANK SET, FUEL *NH1Z* (BLACK-Z)	---	6	---	A	---	---	1	175A1-MB4-830ZA	2249696
	TANK SET, FUEL *R101CU* (CANDY GLORY RED)	---	6	---	A	---	---	1	175A1-MB4-830ZB	2249704
	TANK SET, FUEL *NH1Z* (BLACK-Z)	---	6	---	AC	---	---	1	175A1-MB4-850ZA	2249712
	TANK SET, FUEL *R101CU* (CANDY GLORY RED)	---	6	---	AC	---	---	1	175A1-MB4-850ZB	2249720
6	SHAFT, FUEL TANK PIVOT	3	---	---	A	---	---	1	17505-MB1-000	1244854
		---	4	5	6	---	---	1	17505-MB1-000	1244854
7	RUBBER, FUEL TANK PIVOT	3	---	---	A	---	---	2	17506-MB1-000	1244862
		---	4	5	6	---	---	2	17506-MB1-000	1244862
8	TUBE A, FUEL	3	---	---	A	---	---	1	17511-MB1-000	1244870
	TUBE A, FUEL	---	4	5	6	---	---	1	17511-MB4-770	1546399
9	BAND, FUEL TUBE	3	---	---	A	---	---	2	17519-MB1-000	1244896
		---	4	5	6	---	---	2	17519-MB1-000	1244896
10	EMBLEM, R. FUEL TANK	3	---	---	A	---	---	1	17531-MB1-000	1244904
	EMBLEM, R. FUEL TANK	---	4	---	---	---	---	1	17531-MB4-770	1546407
	MARK, R. FUEL TANK	---	5	6	---	---	---	1	17531-MB4-680	1811108
	EMBLEM, R. FUEL TANK (TYPE1)	---	6	---	---	---	---	1	17531-MB4-830ZA	2249746
	EMBLEM, R. FUEL TANK (TYPE2)	---	6	---	---	---	---	1	17531-MB4-830ZB	2249753
11	EMBLEM, L. FUEL TANK	3	---	---	A	---	---	1	17532-MB1-000	1244912
	EMBLEM, L. FUEL TANK	---	4	---	---	---	---	1	17532-MB4-770	1546415
	MARK, L. FUEL TANK	---	5	6	---	---	---	1	17532-MB4-680	1811116
	EMBLEM, L. FUEL TANK (TYPE1)	---	6	---	---	---	---	1	17532-MB4-830ZA	2249761

# CONTENTS

TITLE	PAGE	GRID
AIR CLEANER	156	1-4
BATTERY	152	1-2
BRAKE CALIPER, FR.	114	1-G7
BRAKE CALIPER, RR.	124	1-G12
BRAKE CONTROL LEVER	88	1-F6
BRAKE MASTER CYL. FR.	88	1-F6
BRAKE MASTER CYL. RR.	121	1-G10
BRAKE PEDAL	164	1-I8
CABLES	85	1-F4
CANISTER 84-85	202	1-K3
CANISTER 86	204	1-K4
CLUTCH CONTROL LEVER	92	1-F8
CLUTCH MASTER CYLINDER	92	1-F8
DRIVE SHAFT	172	1-I12
FENDER, FR.	105	1-G2
FENDER, RR.	178	1-J3
FINAL DRIVEN GEAR	130	1-H3
FOOTPEGS	166	1-I9
FRAME	196	1-J12
FUEL PUMP	152	1-I2
FUEL TANK	136	1-H6
GEARSHIFT PEDAL	164	1-I8
HANDLEBAR	96	1-F10
HEADLIGHT	78	1-F1
HORN	100	1-F12
IGNITION COIL	188	1-J8
INSTRUMENTS	80	1-F2
MAIN STAND	169	1-I10
MUFFLER	160	1-I6
RADIATOR	191	1-J9
RECTIFIER	144	1-H10
SEAT	141	1-H8
SHOCK ABSORBER	175	1-J1
SHOCK ABSORBER, FR.	106	1-G3
SIDE COVER	144	1-H10
SIDE STAND	169	1-I10
SPARK UNIT	178	1-J3
STEERING STEM	100	1-F12
SWINGARM	172	1-I12
SWITCHES	85	1-F4
TAILLIGHT	185	1-J6
TOOLS	200	1-K2
TOP BRIDGE	96	1-F10
TURN SIGNAL	180	1-J4
WHEEL, FR.	118	1-G9
WHEEL, RR.	127	1-H1
WIRE HARNESS	188	1-J8

3 = VF1100C'83	VF1100C	A R E A	Q T Y	F R A M E S E R I A L N U M B E R	P A R T N U M B E R	H O N D A C O D E
4 = VF1100C'84	1 1 1 1					
5 = VF1100C'85	9 9 9 9	C O D E	R E Q	F R O M	T O	H O N D A C O D E
6 = VF1100C'86	8 8 8 8					
Ref. No.	BLOCK NO.	F-16				
	DESCRIPTION					
1	VALVE ASSY., FUEL	3	---	A	---	1 16950-MB4-005 1385244
	VALVE ASSY., FUEL	3	---	A	---	1 16950-MB4-015 1548510
		---	4	5	6	1 16950-MB4-015 1548510
2	GASKET	3	---	A	---	1 16958-MB4-005 1385251
		---	4	5	6	1 16958-MB4-005 1385251
3	LEVER, FUEL VALVE	3	---	A	---	1 16963-MB4-000 1386440
		---	4	5	6	1 16963-MB4-000 1386440
4	RUBBER, AIR CLEANER CASE SETTING	3	---	A	---	1 17245-107-010 0213462
		---	4	5	6	1 17245-107-010 0213462
5	TANK SET, FUEL *PB123PA* (PEARL SIREN BLUE-A)	3	---	A	---	1 175A1-MB4-010ZA 1947985
	TANK SET, FUEL *R115CU* (CANDY MAROON-U)	3	---	A	---	1 175A1-MB4-010ZB 1948009
	TANK ASSY., FUEL *NH1Z* (BLACK-Z)	---	4	---	A	1 175A1-MB4-771ZA 1880145
	TANK ASSY., FUEL *R131CU* (CANDY ANDROMEDA RED)	---	4	---	A	1 175A1-MB4-771ZB 1893841
	TANK ASSY., FUEL *NH1Z* (BLACK-Z)	---	4	---	AC	1 175A1-MB4-880ZA 1512979

136 AMERICAN HONDA MOTOR CO. INC. 1994 1-H6

VF1100C'83 ENGINE NO.; SC12E-2000039 TO 2018597  
 VF1100C'83 FRAME NO.; SC120-DM000029 TO DM017677  
 VF1100C'84 ENGINE NO.; SC12E-2100001 TO 2116075  
 VF1100C'84 FRAME NO.; SC120-EA100001 TO EA117064

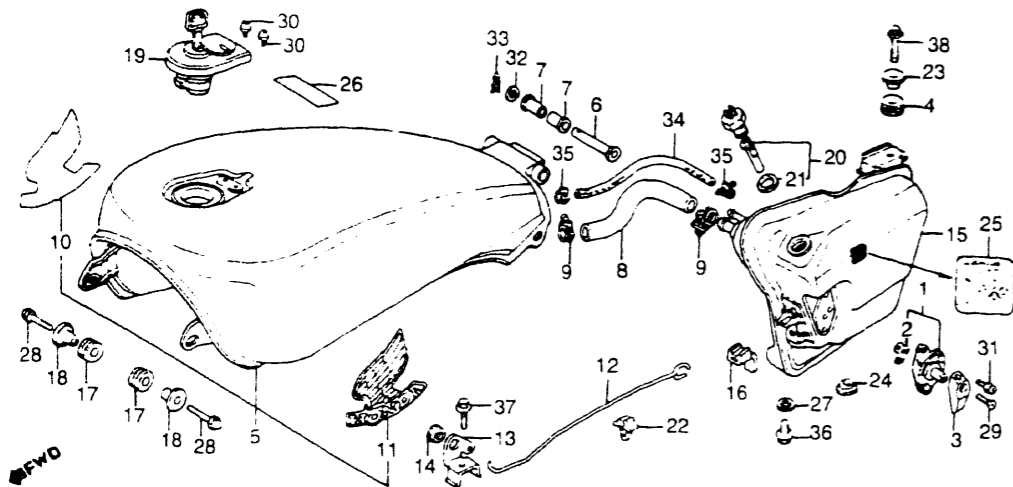
VF1100C'84 ENGINE NO.; SC12E-2102298 TO 2114635  
 VF1100C'84 FRAME NO.; SC121-EA100004 TO EA117067  
 VF1100C'85 ENGINE NO.; SC12E-2200001 TO 2208055  
 VF1100C'85 FRAME NO.; SC120-FA200006 TO FA208465

VF1100C'85 ENGINE NO.; SC12E-2200001 TO 2206580  
 VF1100C'85 FRAME NO.; SC121-FA200001 TO FA206845  
 VF1100C'86 ENGINE NO.; SC12E-2300020 TO 2304336  
 VF1100C'86 FRAME NO.; SC120-GM300101 TO GM304425

VF1100C'86 ENGINE NO.; SC12E-2300001 TO 2302532  
 VF1100C'86 FRAME NO.; SC121-GM301306 TO GM302625

137 AMERICAN HONDA MOTOR CO. INC. 1994

# FUEL TANK



"CAUTION OR WARNING LABELS MUST BE ORDERED SEPARATELY WHEN APPLICABLE"

F14MB4D16

Ref. No.	BLOCK NO. DESCRIPTION	VF1100C				AREA CODE	FRAME SERIAL NUMBER		QTY REQ	PART NUMBER	HONDA CODE
		1	2	3	4		FROM	TO			
		1	1	1	1						
		9	9	9	9						
		8	8	8	8						
		3	4	5	6						
11	EMBLEM, L. FUEL TANK (TYPE2) .....				6			1	17532-MB4-830ZB	2249779	
12	STAY, FUEL TANK SUPPORT .....	3				A		1	17540-MB4-000	1386572	
			4	5	6			1	17540-MB4-000	1386572	
13	PIVOT, FUEL TANK SUPPORT STAY ....	3				A		1	17545-MB4-000	1390913	
			4	5	6			1	17545-MB4-000	1390913	
14	GROMMET .....	3				A		1	17548-MB1-000	1260256	
			4	5	6			1	17548-MB1-000	1260256	
15	SUB TANK, FUEL .....	3				A		1	17550-MB4-000	1386580	
			4	5	6			1	17550-MB4-000	1386580	
16	RUBBER, FUEL TANK MOUNTING .....	3				A		1	17552-MB1-000	1245000	
			4	5	6			1	17552-MB1-000	1245000	
17	RUBBER, FUEL TANK FR. ....	3				A		2	17611-MB1-000	1245059	
			4	5	6			2	17611-MB1-000	1245059	
18	COLLAR, FUEL TANK FR. MOUNTING ...	3				A		2	17612-MB1-000	1252378	
			4	5	6			2	17612-MB1-000	1252378	
19	CAP COMP., FUEL FILLER .....	3				A		1	17620-MB1-013	1537968	
	CAP COMP., FUEL FILLER .....	3	4	5		A		1	17620-MB1-023	1556653	
	CAP COMP., FUEL FILLER .....	3	4	5		A		1	17620-MB1-033	2403897	

Ref. No.	BLOCK NO. DESCRIPTION	VF1100C				AREA CODE	FRAME SERIAL NUMBER		QTY REQ	PART NUMBER	HONDA CODE
		1	2	3	4		FROM	TO			
		1	1	1	1						
		9	9	9	9						
		8	8	8	8						
		3	4	5	6						
19	CAP COMP., FUEL FILLER .....		4	5	6	AC		1	17620-ME5-751	1557032	
20	SENSOR, FUEL RESERVE .....	3				A		1	37810-MB4-008	1384775	
			4	5	6			1	37810-MB4-008	1384775	
21	GASKET, FUEL RESERVE SENSOR .....	3				A		1	37811-MB1-008	1247253	
			4	5	6			1	37811-MB1-008	1247253	
22	CLIP S, BRAKE PIPE .....	3				A		1	46391-692-003	0775189	
			4	5	6			1	46391-692-003	0775189	
23	COLLAR, FR. FENDER .....	3				A		1	61104-357-000	0321752	
			4	5	6			1	61104-357-000	0321752	
	COLLAR, FR. FENDER .....	3				A		1	61104-428-000	0687558	
			4	5	6			1	61104-428-000	0687558	
	COLLAR, RR. FENDER .....	3				A		1	61105-428-000	0686782	
			4	5	6			1	61105-428-000	0686782	
24	RUBBER, BATTERY BOX .....	3				A		1	83618-323-000	0255810	
			4	5	6			1	83618-323-000	0255810	
25	DIAGRAM, VACUUM HOSE ROUTING ....		4			AC		1	87135-MB4-880	1782572	
	DIAGRAM, VACUUM HOSE ROUTING ....			5		AC		1	87135-MB4-700	1852748	
	DIAGRAM, VACUUM HOSE ROUTING ....				6	AC		1	87136-MB4-850	2275857	
26	MARK, DRIVE CAUTION (TYPEG) *A73* (GOLD) .....	3				A		1	87560-ME9-670ZA	1406511	
					6			1	87560-ME9-670ZA	1406511	
	MARK, DRIVE CAUTION *A73* (TYPEG) (GOLD) .....		4	5				1	87560-181-760ZC	0961367	
27	WASHER, SEALING, 6MM .....	3				A		1	90441-028-010	0014480	
			4	5	6			1	90441-028-010	0014480	
28	BOLT, CAP, 6X25 .....	3				A		2	92600-06025-0B	1458942	
			4	5	6			2	92600-06025-0B	1458942	
29	SCREW, FLAT, 4X12 .....	3				A		1	93600-04012-06	1218601	
			4	5	6			1	93600-04012-06	1218601	
30	SCREW-WASHER, 4X8 .....	3				A		2	93892-04008-08	0634618	
			4				EA110341	2	93892-04008-08	0634618	
	SCREW-WASHER, 4X6 .....		4				EA110342	2	45319-634-003	1111517	
				5	6			2	45319-634-003	1111517	
31	SCREW-WASHER, 6X12 .....	3				A		2	93892-06012-00	0481119	
			4	5	6			2	93892-06012-00	0481119	
32	WASHER, PLAIN, 8MM .....	3				A		1	94101-08800	0264846	
			4	5	6			1	94101-08800	0264846	
33	PIN, LOCK, 8MM .....	3				A		1	94251-08400	1047687	
			4	5	6			1	94251-08400	1047687	

# CONTENTS

TITLE	PAGE	GRID
AIR CLEANER	156	1-I4
BATTERY	152	1-I2
BRAKE CALIPER, FR.	114	1-G7
BRAKE CALIPER, RR.	124	1-G12
BRAKE CONTROL LEVER	88	1-F6
BRAKE MASTER CYL. FR.	88	1-F6
BRAKE MASTER CYL. RR.	121	1-G10
BRAKE PEDAL	164	1-I8
CABLES	85	1-F4
CANISTER 84-85	202	1-K3
CANISTER 86	204	1-K4
CLUTCH CONTROL LEVER	92	1-F8
CLUTCH MASTER CYLINDER	92	1-F8
DRIVE SHAFT	172	1-I12
FENDER, FR.	105	1-G2
FENDER, RR.	178	1-J3
FINAL DRIVEN GEAR	130	1-H3
FOOTPEGS	166	1-I9
FRAME	196	1-J12
FUEL PUMP	152	1-I2
FUEL TANK	136	1-H6
GEARSHIFT PEDAL	164	1-I8
HANDLEBAR	96	1-F10
HEADLIGHT	78	1-F1
HORN	100	1-F12
IGNITION COIL	188	1-J8
INSTRUMENTS	80	1-F2
MAIN STAND	169	1-I10
MUFFLER	160	1-I6
RADIATOR	191	1-J9
RECTIFIER	144	1-H10
SEAT	141	1-H8
SHOCK ABSORBER	175	1-J1
SHOCK ABSORBER, FR.	106	1-G3
SIDE COVER	144	1-H10
SIDE STAND	169	1-I10
SPARK UNIT	178	1-J3
STEERING STEM	100	1-F12
SWINGARM	172	1-I12
SWITCHES	85	1-F4
TAILLIGHT	185	1-J6
TOOLS	200	1-K2
TOP BRIDGE	96	1-F10
TURN SIGNAL	180	1-J4
WHEEL, FR.	118	1-G9
WHEEL, RR.	127	1-H1
WIRE HARNESS	188	1-J8

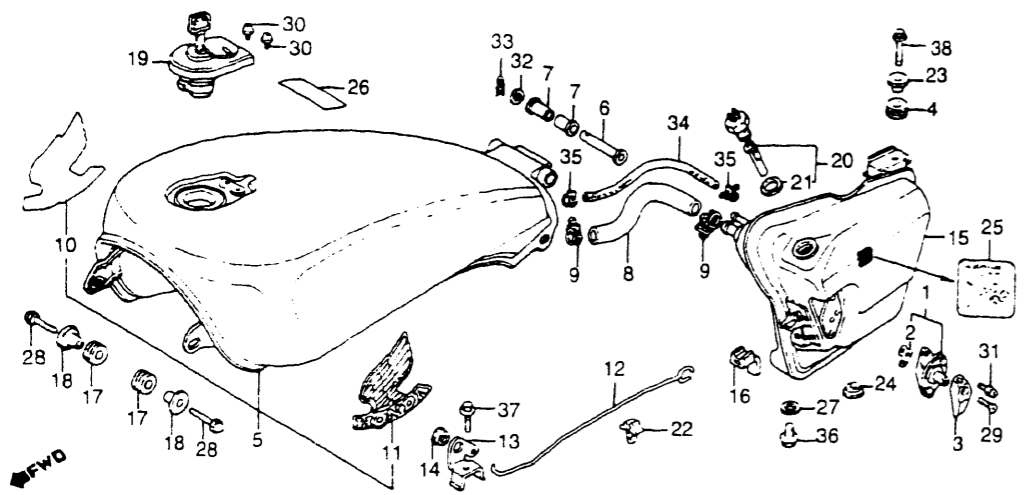
VF1100C'83 ENGINE NO.; SC12E-2000039 TO 2018597  
 VF1100C'83 FRAME NO.; SC120-DM000029 TO DM017677  
 VF1100C'84 ENGINE NO.; SC12E-2100001 TO 2116075  
 VF1100C'84 FRAME NO.; SC120-EA100001 TO EA117064

VF1100C'84 ENGINE NO.; SC12E-2102298 TO 2114635  
 VF1100C'84 FRAME NO.; SC121-EA100004 TO EA117067  
 VF1100C'85 ENGINE NO.; SC12E-2200001 TO 2208055  
 VF1100C'85 FRAME NO.; SC120-FA200006 TO FA208465

VF1100C'85 ENGINE NO.; SC12E-2200001 TO 2206580  
 VF1100C'85 FRAME NO.; SC121-FA200001 TO FA206845  
 VF1100C'86 ENGINE NO.; SC12E-2300020 TO 2304336  
 VF1100C'86 FRAME NO.; SC120-GM300101 TO GM304425

VF1100C'86 ENGINE NO.; SC12E-2300001 TO 2302532  
 VF1100C'86 FRAME NO.; SC121-GM301306 TO GM302625

# FUEL TANK



"CAUTION OR WARNING LABELS MUST BE ORDERED SEPARATELY WHEN APPLICABLE"

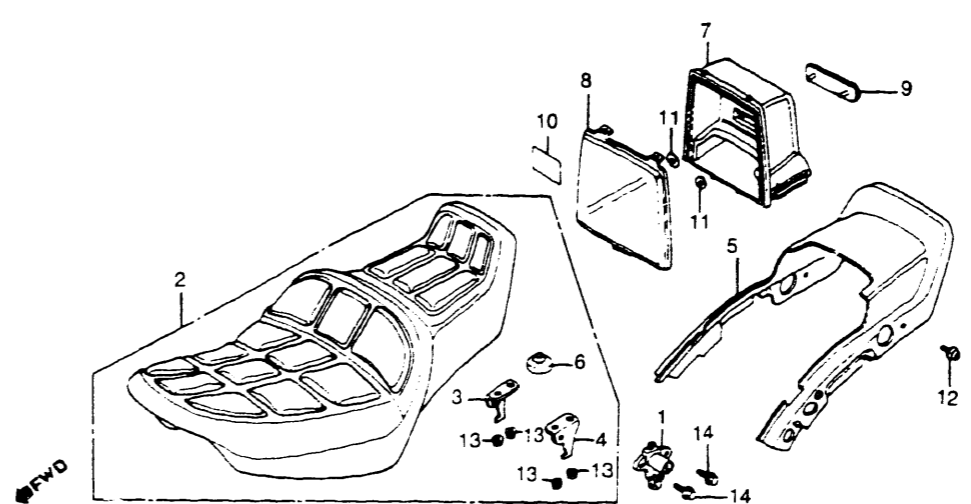
F14MB4D16

Ref. No.	BLOCK NO. DESCRIPTION	VF1100C				AREA CODE	FRAME SERIAL NUMBER		QTY REQ	PART NUMBER	HONDA CODE
		1	2	3	4		FROM	TO			
	3 = VF1100C'83	1	1	1	1						
	4 = VF1100C'84	8	8	8	8						
	5 = VF1100C'85	3	4	5	6						
	6 = VF1100C'86										
34	TUBE, 5.3X190 (BULK HOSE: 95001-55008-20M) .....	3				A			1	95001-55190-20	1251842
	TUBE, 5.5X200 (BULK HOSE: 95001-55008-20M) .....		4	5	6				1	95001-55200-20	0371963
35	CLIP A14, TUBE .....	3				A			2	95002-01140	0412460
			4	5	6				2	95002-01140	0412460
36	BOLT, FLANGE, 6X10 .....	3				A			1	95700-06010-00	0350488
			4	5	6				1	95700-06010-00	0350488
	BOLT, FLANGE, 6X10 .....	3				A			1	95701-06010-00	2410876
			4	5	6				1	95701-06010-00	2410876
37	BOLT, FLANGE, 6X14 .....	3				A			1	95700-06014-08	0840587
			4	5	6				1	95700-06014-08	0840587
	BOLT, FLANGE, 6X14 .....	3				A			1	95701-06014-08	2374742
			4	5	6				1	95701-06014-08	2374742
38	BOLT, FLANGE, 6X20 .....	3				A			1	95700-06020-08	0340331
			4	5	6				1	95700-06020-08	0340331
	BOLT, FLANGE, 6X20 .....	3				A			1	95701-06020-08	2374759
			4	5	6				1	95701-06020-08	2374759

VF1100C'83 ENGINE NO.; SC12E-2000039 TO 2018597  
 VF1100C'83 FRAME NO.; SC120-DM000029 TO DM017677  
 VF1100C'84 ENGINE NO.; SC12E-2100001 TO 2116075  
 VF1100C'84 FRAME NO.; SC120-EA100001 TO EA117064

VF1100C'84 ENGINE NO.; SC12E-2102298 TO 2114635  
 VF1100C'84 FRAME NO.; SC121-EA100004 TO EA117067  
 VF1100C'85 ENGINE NO.; SC12E-2200001 TO 2208055  
 VF1100C'85 FRAME NO.; SC120-FA200006 TO FA208465

# SEAT



"CAUTION OR WARNING LABELS MUST BE ORDERED SEPARATELY WHEN APPLICABLE"

F14MB4D17

Ref. No.	BLOCK NO. DESCRIPTION	VF1100C				AREA CODE	FRAME SERIAL NUMBER		QTY REQ	PART NUMBER	HONDA CODE
		1	2	3	4		FROM	TO			
	3 = VF1100C'83	1	1	1	1						
	4 = VF1100C'84	9	9	9	9						
	5 = VF1100C'85	8	8	8	8						
	6 = VF1100C'86	3	4	5	6						
1	HOLDER ASSY., HELMET .....	3				A			1	50710-MB4-003	1388206
	HOLDER ASSY., HELMET .....		4	5	6				1	50710-MB4-013	1715986
									1	50710-MB4-013	1715986
2	SEAT ASSY. ....	3				A			1	77100-MB4-000	1388420
			4						1	77100-MB4-000	1388420
				5					1	77100-MB4-000	1388420
									1	77100-MB4-000	1388420
	SEAT ASSY. ....	3				A			1	77100-MB4-010	2054310
			4						1	77100-MB4-010	2054310
				5					1	77100-MB4-010	2054310
									1	77100-MB4-010	2054310
	SEAT ASSY. ....	3				A			1	77100-MB4-020	2140564
			4						1	77100-MB4-020	2140564
				5					1	77100-MB4-020	2140564
									1	77100-MB4-020	2140564
	SEAT ASSY. ....	3				A			1	77100-MB4-030	2140572
			4						1	77100-MB4-030	2140572
				5					1	77100-MB4-030	2140572
									1	77100-MB4-030	2140572
	SEAT ASSY. ....	3				A			1	77100-MB4-830	2140580
			4						1	77100-MB4-830	2140580
				5					1	77100-MB4-830	2140580
									1	77100-MB4-830	2140580
3	PLATE, R. SEAT LOCK .....	3				A			1	77104-MB4-000	1388438
			4						1	77104-MB4-000	1388438

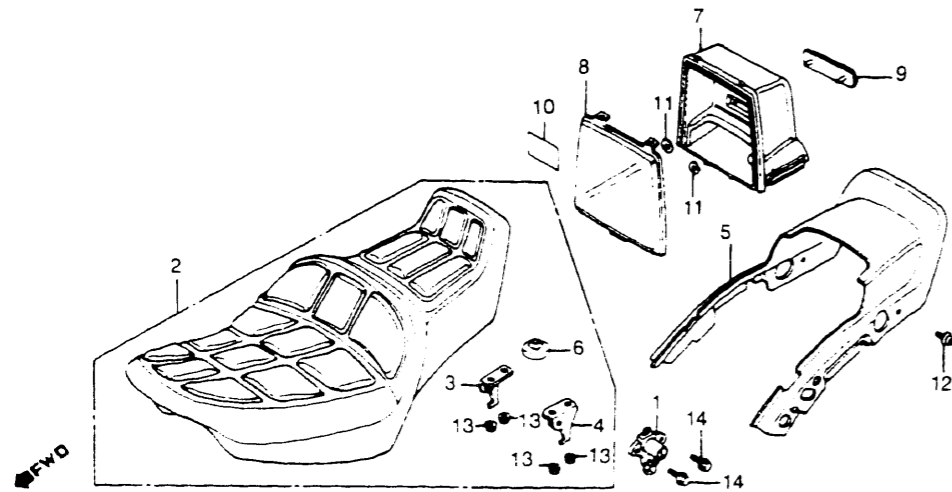
VF1100C'85 ENGINE NO.; SC12E-2200001 TO 2206580  
 VF1100C'85 FRAME NO.; SC121-FA200001 TO FA206845  
 VF1100C'86 ENGINE NO.; SC12E-2300020 TO 2304336  
 VF1100C'86 FRAME NO.; SC120-GM300101 TO GM304425

VF1100C'86 ENGINE NO.; SC12E-2300001 TO 2302532  
 VF1100C'86 FRAME NO.; SC121-GM301306 TO GM302625

# CONTENTS

TITLE	PAGE	GRID
AIR CLEANER	156	1-I4
BATTERY	152	1-I2
BRAKE CALIPER, FR	114	1-G7
BRAKE CALIPER, RR	124	1-G12
BRAKE CONTROL LEVER	88	1-F6
BRAKE MASTER CYL. FR	88	1-F6
BRAKE MASTER CYL. RR	121	1-G10
BRAKE PEDAL	164	1-I8
CABLES	85	1-F4
CANISTER 84-85	202	1-K3
CANISTER 86	204	1-K4
CLUTCH CONTROL LEVER	92	1-F8
CLUTCH MASTER CYLINDER	92	1-F8
DRIVE SHAFT	172	1-I12
FENDER, FR	105	1-G2
FENDER, RR	178	1-J3
FINAL DRIVEN GEAR	130	1-H3
FOOTPEGS	166	1-I9
FRAME	196	1-J12
FUEL PUMP	152	1-I2
FUEL TANK	136	1-H6
GEARSHIFT PEDAL	164	1-I8
HANDLEBAR	96	1-F10
HEADLIGHT	78	1-F1
HORN	100	1-F12
IGNITION COIL	188	1-J8
INSTRUMENTS	80	1-F2
MAIN STAND	169	1-I10
MUFFLER	160	1-I6
RADIATOR	191	1-J9
RECTIFIER	144	1-H10
SEAT	141	1-H9
SHOCK ABSORBER	175	1-J1
SHOCK ABSORBER, FR	106	1-G3
SIDE COVER	144	1-H10
SIDE STAND	169	1-I10
SPARK UNIT	178	1-J3
STEERING STEM	100	1-F12
SWINGARM	172	1-I12
SWITCHES	85	1-F4
TAILLIGHT	185	1-J6
TOOLS	200	1-K2
TOP BRIDGE	96	1-F10
TURN SIGNAL	180	1-J4
WHEEL, FR	118	1-G9
WHEEL, RR	127	1-H1
WIRE HARNESS	188	1-J8

# SEAT



"CAUTION OR WARNING LABELS MUST BE ORDERED SEPARATELY WHEN APPLICABLE"

F14MB4D17

Ref. No.	BLOCK NO. DESCRIPTION	VF1100C				AREA CODE	FRAME SERIAL NUMBER		QTY REQ	PART NUMBER	HONDA CODE
		1	2	3	4		FROM	TO			
	3 = VF1100C'83 4 = VF1100C'84 5 = VF1100C'85 6 = VF1100C'86	1	1	1	1						
		9	8	8	8						
		3	4	5	6						
4	PLATE, L. SEAT LOCK	3	--	--	--	A	----	----	1	77105-MB4-000 1388446	
		--	4	5	6		----	----	1	77105-MB4-000 1388446	
5	COWL, RR. *PB123PA* (PEARL SIREN BLUE-A)	3	--	--	--	A	----	----	1	77200-MB4-000ZA 1388453	
	COWL, RR. *R115CU* (CANDY MAROON-U)	3	--	--	--	A	----	----	1	77200-MB4-000ZB 1388461	
	COWL, RR. *R131CU* (CANDY ANDROMEDA RED)	--	4	--	--		----	----	1	77200-MB4-000ZD 1513043	
	COWL, RR. *NH1Z* (BLACK-Z)	--	4	5	6		----	----	1	77200-MB4-000ZC 1513035	
	COWL, RR. *R137PA* (PEARL VINTAGE RED)	--	--	5	--		----	----	1	77200-MB4-000ZE 1811652	
	COWL, RR. *R101CU* (CANDY GLORY RED)	--	--	--	6		----	----	1	77200-MB4-000ZF 2263945	
6	RUBBER, SEAT STOPPER	3	--	--	--	A	----	----	2	77211-MB0-000 1250182	
		--	4	5	6		----	----	2	77211-MB0-000 1250182	
7	BOX, TOOL	3	--	--	--	A	----	----	1	83500-MB4-000 1388537	
		--	4	5	6		----	----	1	83500-MB4-000 1388537	

142 © AMERICAN HONDA MOTOR CO. INC. 1994

1-H9

VF1100C'83 ENGINE NO.; SC12E-2000039 TO 2018597  
VF1100C'83 FRAME NO.; SC120-DM00029 TO DM017677  
VF1100C'84 ENGINE NO.; SC12E-2100001 TO 2116075  
VF1100C'84 FRAME NO.; SC120-EA100001 TO EA117064

VF1100C'84 ENGINE NO.; SC12E-2102298 TO 2114635  
VF1100C'84 FRAME NO.; SC121-EA100004 TO EA117067  
VF1100C'85 ENGINE NO.; SC12E-2200001 TO 2208055  
VF1100C'85 FRAME NO.; SC120-FA200006 TO FA208465

Ref. No.	BLOCK NO. DESCRIPTION	VF1100C				AREA CODE	FRAME SERIAL NUMBER		QTY REQ	PART NUMBER	HONDA CODE
		1	2	3	4		FROM	TO			
		1	1	1	1						
		9	8	8	8						
		3	4	5	6						
8	COVER, TOOL BOX	3	--	--	--	A	----	----	1	83501-MB4-000 1388545	
		--	4	5	6		----	----	1	83501-MB4-000 1388545	
9	EMBLEM, TOOL BOX	3	--	--	--	A	----	----	1	83504-MB4-000 1388552	
		--	4	5	6		----	----	1	83504-MB4-000 1388552	
10	MARK, ACCESSORIES & LOADING CAUTION	3	--	--	--	A	----	----	1	87512-461-770 0954354	
		--	4	5	6		----	----	1	87512-461-770 0954354	
11	NUT, SPEED, 3MM	3	--	--	--	A	----	----	2	90313-567-000 0258863	
		--	4	5	6		----	----	2	90313-567-000 0258863	
12	SCREW-WASHER, 5X12	3	--	--	--	A	----	----	2	93891-05012-0A 0380634	
		--	4	5	6		----	----	2	93891-05012-0A 0380634	
	SCREW-WASHER, 5X12	3	--	--	--	A	----	----	2	93891-05012-00 0487009	
		--	4	5	6		----	----	2	93891-05012-00 0487009	
13	NUT, FLANGE, 6MM	3	--	--	--	A	----	----	4	94050-06080 0612689	
		--	4	5	6		----	----	4	94050-06080 0612689	
14	BOLT, FLANGE, 6X12	3	--	--	--	A	----	----	2	95700-06012-00 0487025	
		--	4	5	6		----	----	2	95700-06012-00 0487025	
	BOLT, FLANGE, 6X12	3	--	--	--	A	----	----	2	95701-06012-00 2105799	
		--	4	5	6		----	----	2	95701-06012-00 2105799	

© AMERICAN HONDA MOTOR CO. INC. 1994

143

VF1100C'85 ENGINE NO.; SC12E-2200001 TO 2206580  
VF1100C'85 FRAME NO.; SC121-FA200001 TO FA206845  
VF1100C'86 ENGINE NO.; SC12E-2300020 TO 2304336  
VF1100C'86 FRAME NO.; SC120-GM300101 TO GM304425

VF1100C'86 ENGINE NO.; SC12E-2300001 TO 2302532  
VF1100C'86 FRAME NO.; SC121-GM301306 TO GM302625

# CONTENTS

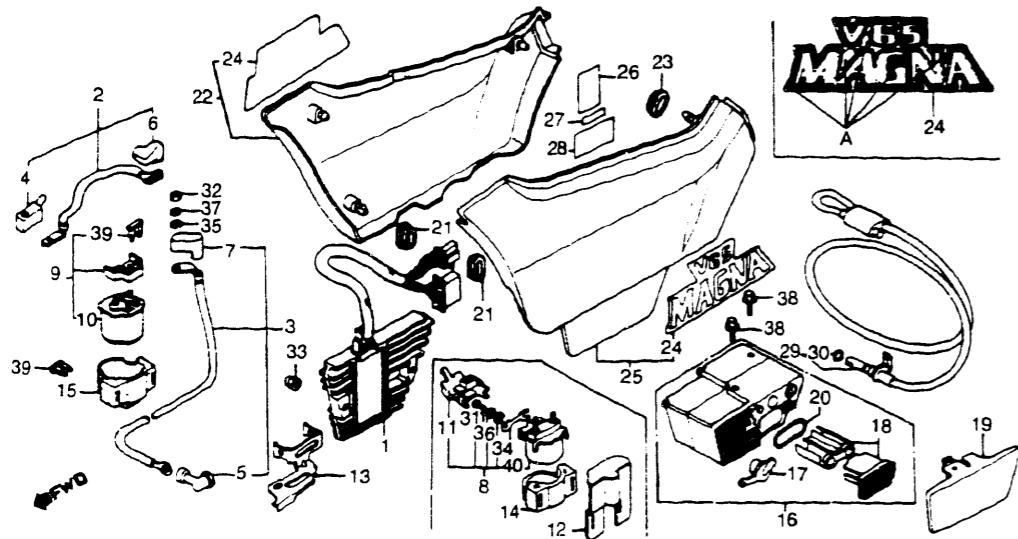
TITLE	PAGE	GRID
AIR CLEANER	156	1-I4
BATTERY	152	1-I2
BRAKE CALIPER, FR.	114	1-G7
BRAKE CALIPER, RR.	124	1-G12
BRAKE CONTROL LEVER	88	1-F6
BRAKE MASTER CYL. FR.	88	1-F6
BRAKE MASTER CYL. RR.	121	1-G10
BRAKE PEDAL	164	1-I8
CABLES	85	1-F4
CANISTER 84-85	202	1-K3
CANISTER 86	204	1-K4
CLUTCH CONTROL LEVER	92	1-F8
CLUTCH MASTER CYLINDER	92	1-F8
DRIVE SHAFT	172	1-I12
FENDER, FR.	105	1-G2
FENDER, RR.	178	1-J3
FINAL DRIVEN GEAR	130	1-H3
FOOTPEGS	166	1-I9
FRAME	196	1-J12
FUEL PUMP	152	1-I2
FUEL TANK	136	1-H6
GEARSHIFT PEDAL	164	1-I8
HANDLEBAR	96	1-F10
HEADLIGHT	78	1-F1
HORN	100	1-F12
IGNITION COIL	188	1-J8
INSTRUMENTS	80	1-F2
MAIN STAND	169	1-I10
MUFFLER	160	1-I6
RADIATOR	191	1-J9
RECTIFIER	144	1-H10
SEAT	141	1-H8
SHOCK ABSORBER	175	1-J1
SHOCK ABSORBER, FR.	106	1-G3
SIDE COVER	144	1-H10
SIDE STAND	169	1-I10
SPARK UNIT	178	1-J3
STEERING STEM	100	1-F12
SWINGARM	172	1-I12
SWITCHES	85	1-F4
TAILLIGHT	185	1-J6
TOOLS	200	1-K2
TOP BRIDGE	96	1-F10
TURN SIGNAL	180	1-J4
WHEEL, FR.	118	1-G9
WHEEL, RR.	127	1-H1
WIRE HARNESS	188	1-J8

GRID

1-H9



# SIDE COVER • RECTIFIER



Color chart for side cover emblem ('83)

Type	Main color	Position
		A
TYPE 1	Pearl siren blue	Pearl siren blue
TYPE 2	Candy maroon	Candy maroon

"CAUTION OR WARNING LABELS MUST BE ORDERED SEPARATELY WHEN APPLICABLE"

F14MB4D18T

- 3 = VF1100C'83
- 4 = VF1100C'84
- 5 = VF1100C'85
- 6 = VF1100C'86

Ref. No.	BLOCK NO.	F-18	VF1100C				AREA	FRAME SERIAL NUMBER	QTY	PART NUMBER	HONDA CODE
			3	4	5	6					
1	RECTIFIER ASSY., REGULATE	.....	3	---	---	---	A	----- DM016906	1	31600-MB4-008	1387380
	RECTIFIER ASSY., REGULATE	.....	3	---	---	---	A	----- DM016906	1	31600-MB4-018	1511385
			3	---	---	---	A	-----	1	31600-MB4-018	1511385
			---	4	5	6		-----	1	31600-MB4-018	1511385
2	CABLE, BATTERY, STARTER	.....	3	---	---	---	A	-----	1	32401-MB4-000	1387406
			---	4	5	---		-----	1	32401-MB4-000	1387406
	CABLE, BATTERY, STARTER	.....	---	---	---	6		-----	1	32401-MB4-830	2250447
3	CABLE, STARTER MOTOR	.....	3	---	---	---	A	-----	1	32402-MB4-000	1387414
			---	4	5	---		-----	1	32402-MB4-000	1387414
	CABLE, STARTER MOTOR	.....	---	---	---	6		-----	1	32402-MB4-830	2250454
4	COVER, BATTERY TERMINAL	.....	3	---	---	---	A	-----	1	32411-MB4-000	1387422
			---	4	5	6		-----	1	32411-MB4-000	1387422
5	COVER, STARTING MOTOR TERMINAL	..	3	---	---	---	A	-----	1	32411-230-000	0208652
			---	4	5	6		-----	1	32411-230-000	0208652
	COVER, STARTING MOTOR TERMINAL	..	3	---	---	---	A	-----	1	32411-253-000	0177360
			---	4	5	6		-----	1	32411-253-000	0177360
6	COVER, MAGNETIC SWITCH TERMINAL	..	3	---	---	---	A	-----	1	32411-MB0-000	1275734
			---	4	5	6		-----	1	32411-MB0-000	1275734
	COVER, MAGNETIC SWITCH TERMINAL	..	3	---	---	---	A	-----	1	32412-MB0-000	1246263
			---	4	5	6		-----	1	32412-MB0-000	1246263
7	COVER A, MAGNETIC SWITCH	.....	3	---	---	---	A	-----	1	32412-443-900	1234814
			---	4	5	6		-----	1	32412-443-900	1234814
8	SWITCH ASSY., STARTER MAGNETIC	..	3	---	---	---	A	-----	1	35850-MB0-007	1246958
			---	4	5	---		-----	1	35850-MB0-007	1246958
9	SWITCH ASSY., STARTER MAGNETIC	..	---	---	---	6		-----	1	35850-MF5-751	2008936
10	SWITCH COMP., STARTER MAGNETIC	..	---	---	---	6		-----	1	35851-MF5-751	2028538
11	COVER, FUSE	.....	3	---	---	---	A	-----	1	35852-MB0-007	1246966
			---	4	5	---		-----	1	35852-MB0-007	1246966
12	PLATE, STARTING MAGNETIC	.....	3	---	---	---	A	-----	1	35853-MB4-000	1425776
			---	4	5	---		-----	1	35853-MB4-000	1425776
13	STAY, STARTER MAGNETIC SWITCH	...	3	---	---	---	A	-----	1	35855-MB4-000	1387505
			---	4	5	6		-----	1	35855-MB4-000	1387505
14	RUBBER, SHOCK	.....	3	---	---	---	A	-----	1	35856-MB0-007	1246974
			---	4	5	---		-----	1	35856-MB0-007	1246974
15	RUBBER, SHOCK	.....	---	---	---	6		-----	1	35856-MF5-751	2008944
16	ALARM UNIT, LOCKING	.....	3	---	---	---	A	-----	1	53610-MB0-701	1412170
			---	4	5	---		-----	1	53610-MB0-701	1412170

AMERICAN HONDA MOTOR CO., INC. 1994 145

# CONTENTS

TITLE	PAGE	GRID
AIR CLEANER	156	1-K
BATTERY	152	1-I2
BRAKE CALIPER, FR.	114	1-G7
BRAKE CALIPER, RR.	124	1-G12
BRAKE CONTROL LEVER	88	1-F6
BRAKE MASTER CYL. FR.	88	1-F6
BRAKE MASTER CYL. RR.	121	1-G10
BRAKE PEDAL	164	1-I8
CABLES	85	1-F4
CANISTER 84-85	202	1-K3
CANISTER 86	204	1-K4
CLUTCH CONTROL LEVER	92	1-F8
CLUTCH MASTER CYLINDER	92	1-F8
DRIVE SHAFT	172	1-I12
FENDER, FR.	105	1-G2
FENDER, RR.	178	1-J3
FINAL DRIVEN GEAR	130	1-H3
FOOTPEGS	166	1-I9
FRAME	196	1-J12
FUEL PUMP	152	1-I2
FUEL TANK	136	1-H6
GEARSHIFT PEDAL	164	1-I8
HANDLEBAR	96	1-F10
HEADLIGHT	78	1-F1
HORN	100	1-F12
IGNITION COIL	188	1-J8
INSTRUMENTS	80	1-F2
MAIN STAND	169	1-I10
MUFFLER	160	1-I6
RADIATOR	191	1-J9
RECTIFIER	144	1-H10
SEAT	141	1-H8
SHOCK ABSORBER	175	1-J1
SHOCK ABSORBER, FR.	106	1-G3
SIDE COVER	144	1-H10
SIDE STAND	169	1-I10
SPARK UNIT	178	1-J3
STEERING STEM	100	1-F12
SWINGARM	172	1-I12
SWITCHES	85	1-F4
TAILLIGHT	185	1-J6
TOOLS	200	1-K2
TOP BRIDGE	96	1-F10
TURN SIGNAL	180	1-J4
WHEEL, FR.	118	1-G9
WHEEL, RR.	127	1-H1
WIRE HARNESS	188	1-J8

GRID

1-H10

VF1100C'83 ENGINE NO.; SC12E-2000039 TO 2018597  
 VF1100C'83 FRAME NO.; SC120-DM000029 TO DM017677  
 VF1100C'84 ENGINE NO.; SC12E-2100001 TO 2116075  
 VF1100C'84 FRAME NO.; SC120-EA100001 TO EA117064

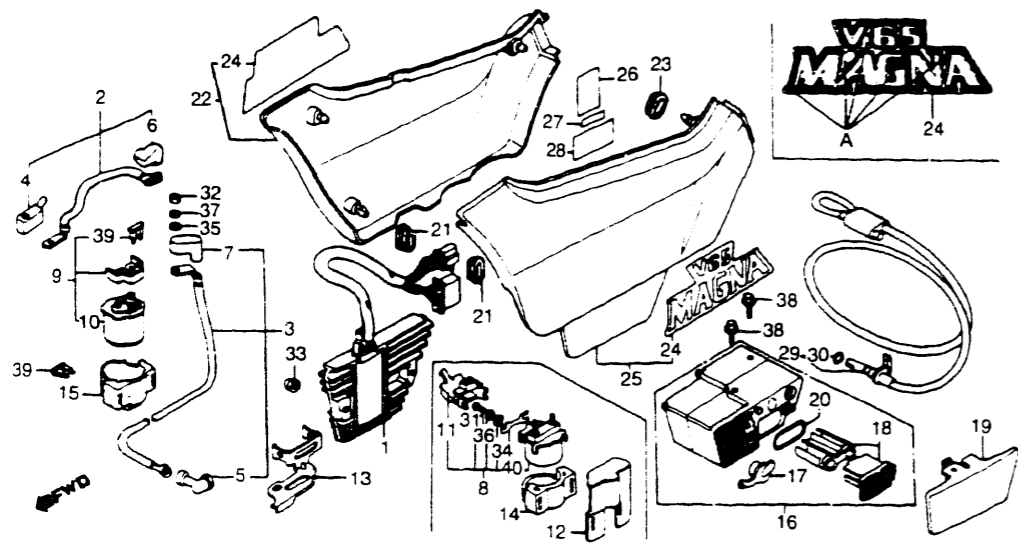
VF1100C'84 ENGINE NO.; SC12E-2102298 TO 2114635  
 VF1100C'84 FRAME NO.; SC121-EA100004 TO EA117067  
 VF1100C'85 ENGINE NO.; SC12E-2200001 TO 2208055  
 VF1100C'85 FRAME NO.; SC120-FA200006 TO FA208465

VF1100C'85 ENGINE NO.; SC12E-2200001 TO 2206580  
 VF1100C'85 FRAME NO.; SC121-FA200001 TO FA206845  
 VF1100C'86 ENGINE NO.; SC12E-2300020 TO 2304336  
 VF1100C'86 FRAME NO.; SC120-GM300101 TO GM304425

VF1100C'86 ENGINE NO.; SC12E-2300001 TO 2302532  
 VF1100C'86 FRAME NO.; SC121-GM301306 TO GM302625



# SIDE COVER • RECTIFIER



Color chart for side cover emblem ('83)

Type	Main color	Position
		A
TYPE 1	Pearl siren blue	Pearl siren blue
TYPE 2	Candy maroon	Candy maroon

CAUTION OR WARNING LABELS MUST BE ORDERED SEPARATELY WHEN APPLICABLE

F14MB4D18T

- 3 = VF1100C 83
- 4 = VF1100C 84
- 5 = VF1100C 85
- 6 = VF1100C 86

Ref. No.	BLOCK NO. DESCRIPTION	VF1100C				AREA CODE	FRAME SERIAL NUMBER		QTY REQ	PART NUMBER	HONDA CODE
		1	4	5	6		FROM	TO			
17	CAP, DUST	3	--	--	--	A	----	----	1	53611-MB0-701	1412188
		--	4	5	--		----	----	1	53611-MB0-701	1412188
18	CASE COMP., BATTERY	3	--	--	--	A	----	----	1	53612-MB0-701	1412196
		--	4	5	--		----	----	1	53612-MB0-701	1412196
19	PLATE, L. SIDE	--	--	--	6		----	----	1	53613-MB4-830	2250868
20	O-RING, BATTERY CASE	3	--	--	--	A	----	----	1	53614-MB0-701	1412204
		--	4	5	--		----	----	1	53614-MB0-701	1412204
21	GROMMET, AIR CLEANER CASE	3	--	--	--	A	----	----	4	83551-300-000	0204990
		--	4	5	6		----	----	4	83551-300-000	0204990
22	COVER COMP., R. SIDE *PB123PA* (PEARL SIREN BLUE-A)	3	--	--	--	A	----	----	1	836A0-MB4-000ZA	1388560
	COVER COMP., R. SIDE *R115CU* (CANDY MAROON-U)	3	--	--	--	A	----	----	1	836A0-MB4-000ZB	1388578
	COVER COMP., R. SIDE *NH12* (BLACK-Z)	--	4	--	--		----	----	1	836A0-MB4-770ZA	1512995
	COVER COMP., R. SIDE *R131CU* (CANDY ANDROMEDA RED)	--	4	--	--		----	----	1	836A0-MB4-770ZB	1513001
	COVER SET, R. SIDE *R137PA* (PEARL VINTAGE RED)	--	--	5	--		----	----	1	836B0-MB4-770ZB	1811686
	COVER SET, R. SIDE *NH12* (BLACK-Z)	--	--	5	6		----	----	1	836B0-MB4-770ZA	1811678
	COVER SET, R. SIDE *R101CU* (CANDY GLORY RED)	--	--	--	6		----	----	1	836B0-MB4-770ZC	2251015
23	GROMMET, SIDE COVER	3	--	--	--	A	----	----	2	83602-MB4-000	1384932
		--	4	5	6		----	----	2	83602-MB4-000	1384932
24	EMBLEM, SIDE COVER (TYPE1) (V65 MAGNA)	3	--	--	--	A	----	----	2	83605-MB4-000ZA	1385368
	EMBLEM, SIDE COVER (TYPE2) (V65 MAGNA)	3	--	--	--	A	----	----	2	83605-MB4-000ZB	1385376
	EMBLEM, SIDE COVER (A.M.)	--	4	--	--		----	----	2	83605-MB4-770	1726660
	MARK, SIDE COVER	--	--	5	6		----	----	2	83605-MB4-680	1811694
25	COVER COMP., L. SIDE *PB123PA* (PEARL SIREN BLUE-A)	3	--	--	--	A	----	----	1	837A0-MB4-000ZA	1388586
	COVER COMP., L. SIDE *R115CU* (CANDY MAROON-U)	3	--	--	--	A	----	----	1	837A0-MB4-000ZB	1388594
	COVER COMP., L. SIDE *NH12* (BLACK-Z)	--	4	--	--		----	----	1	837A0-MB4-770ZA	1513019
	COVER COMP., L. SIDE *R131CU* (CANDY ANDROMEDA RED)	--	4	--	--		----	----	1	837A0-MB4-770ZB	1513027

# CONTENTS

TITLE	PAGE	GRID
AIR CLEANER	156	1-I4
BATTERY	152	1-I2
BRAKE CALIPER, FR.	114	1-G7
BRAKE CALIPER, RR.	124	1-G12
BRAKE CONTROL LEVER	88	1-F6
BRAKE MASTER CYL. FR.	88	1-F6
BRAKE MASTER CYL. RR.	121	1-G10
BRAKE PEDAL	164	1-I6
CABLES	85	1-F4
CANISTER 84-85	202	1-K3
CANISTER 86	204	1-K4
CLUTCH CONTROL LEVER	92	1-F8
CLUTCH MASTER CYLINDER	92	1-F8
DRIVE SHAFT	172	1-I12
FENDER, FR.	105	1-G2
FENDER, RR.	178	1-J3
FINAL DRIVEN GEAR	130	1-H3
FOOTPEGS	166	1-I9
FRAME	196	*J12
FUEL PUMP	152	1-I2
FUEL TANK	136	1-H6
GEARSHIFT PEDAL	164	1-I8
HANDLEBAR	96	1-F10
HEADLIGHT	78	1-F1
HORN	100	1-F12
IGNITION COIL	188	1-J8
INSTRUMENTS	80	1-F2
MAIN STAND	169	1-I10
MUFFLER	160	1-I6
RADIATOR	191	1-J9
RECTIFIER	144	1-H10
SEAT	141	1-H8
SHOCK ABSORBER	175	1-J1
SHOCK ABSORBER, FR.	106	1-G3
SIDE COVER	144	1-H10
SIDE STAND	169	1-I10
SPARK UNIT	178	1-J3
STEERING STEM	100	1-F12
SWINGARM	172	1-I12
SWITCHES	85	1-F4
TAILLIGHT	185	1-J6
TOOLS	200	1-K2
TOP BRIDGE	96	1-F10
TURN SIGNAL	180	1-J4
WHEEL, FR.	118	1-G9
WHEEL, RR.	127	1-H1
WIRE HARNESS	188	1-J8

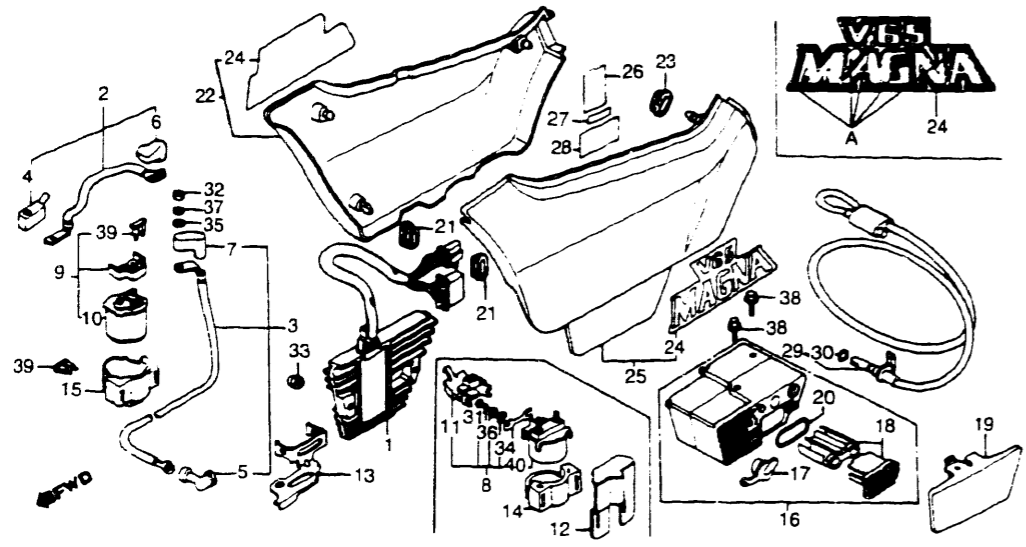
VF1100C'83 ENGINE NO.; SC12E-2000039 TO 2018597  
 VF1100C'83 FRAME NO.; SC120-DM000029 TO DM017677  
 VF1100C'84 ENGINE NO.; SC12E-2100001 TO 2116075  
 VF1100C'84 FRAME NO.; SC120-EA100001 TO EA117064

VF1100C'84 ENGINE NO.; SC12E-2102298 TO 2114635  
 VF1100C'84 FRAME NO.; SC121-EA100004 TO EA117067  
 VF1100C'85 ENGINE NO.; SC12E-2200001 TO 2208055  
 VF1100C'85 FRAME NO.; SC120-FA200006 TO FA208465

VF1100C'85 ENGINE NO.; SC12E-2200001 TO 2206580  
 VF1100C'85 FRAME NO.; SC121-FA200001 TO FA206845  
 VF1100C'86 ENGINE NO.; SC12E-2300020 TO 2304336  
 VF1100C'86 FRAME NO.; SC120-GM300101 TO GM304425

VF1100C'86 ENGINE NO.; SC12E-2300001 TO 2302532  
 VF1100C'86 FRAME NO.; SC121-GM301306 TO GM302625

# SIDE COVER • RECTIFIER



Color chart for side cover emblem ('83)

Type	Main color	Position
		A
TYPE 1	Pearl siren blue	Pearl siren blue
TYPE 2	Candy maroon	Candy maroon

\*CAUTION OR WARNING LABELS MUST BE ORDERED SEPARATELY WHEN APPLICABLE\*

F14MB4D18T

- 3 = VF1100C'83
- 4 = VF1100C'84
- 5 = VF1100C'85
- 6 = VF1100C'86

Ref. No.	BLOCK NO. DESCRIPTION	VF1100C				AREA CODE	FRAME SERIAL NUMBER		QTY REQ	PART NUMBER	HONDA CODE
		1	2	3	4		FROM	TO			
25	COVER SET, L. SIDE *R137PA* (PEARL VINTAGE RED) .....	---	5	---	---	---	---	1	837B0-MB4-770ZB	1811710	
	COVER SET, L. SIDE *NH1Z* (BLACK-Z) .....	---	5	6	---	---	---	1	837B0-MB4-770ZA	1811702	
	COVER SET, L. SIDE *R101CU* (CANDY GLORY RED) .....	---	6	---	---	---	---	1	837B0-MB4-770ZC	2251023	
26	LABEL, BATTERY CAUTION .....	3	---	---	A	---	---	1	87506-MB4-670	1385392	
	LABEL, BATTERY CAUTION .....	---	4	5	---	---	---	1	87506-MB4-670	1385392	
27	LABEL, RESERVE TANK .....	---	6	---	---	---	---	1	87506-MB4-830	2251106	
28	LABEL, RESERVE TANK .....	3	---	---	A	---	---	1	87507-MB4-670	1425818	
	LABEL, RESERVE TANK .....	---	4	5	6	---	---	1	87507-MB4-670	1425818	
29	CABLE, SECURITY LOCKING .....	3	---	---	A	---	---	1	87508-415-670	0670471	
	CABLE, SECURITY LOCKING .....	---	4	5	6	---	---	1	87508-415-670	0670471	
30	O-RING, 14MM (ARAI) .....	3	---	---	A	---	---	1	88800-MB0-771	1412212	
	O-RING, 14MM (ARAI) .....	---	4	5	---	---	---	1	88800-MB0-771	1412212	
	O-RING, 14MM (HDK) .....	3	---	---	A	---	---	1	88800-MB0-772	2449312	
	O-RING, 14MM (HDK) .....	---	4	5	---	---	---	1	88800-MB0-772	2449312	
31	SCREW, PAN, 4X6 .....	3	---	---	A	---	---	2	91353-671-003	0949883	
	SCREW, PAN, 4X6 .....	---	4	5	---	---	---	2	91353-671-003	0949883	
	SCREW, PAN, 4X6 .....	3	---	---	A	---	---	2	91353-671-004	0949891	
	SCREW, PAN, 4X6 .....	---	4	5	---	---	---	2	91353-671-004	0949891	
32	NUT, HEX., 6MM .....	3	---	---	A	---	---	2	93500-04006-0H	0285627	
	NUT, HEX., 6MM .....	---	4	5	---	---	---	2	93500-04006-0H	0285627	
	NUT, HEX., 6MM .....	3	---	---	A	---	---	2	9500-04006-1H	0753962	
	NUT, HEX., 6MM .....	---	4	5	---	---	---	2	9500-04006-1H	0753962	
33	NUT, CAP, 6MM .....	3	---	---	A	---	---	2	94002-06080-0S	0712505	
	NUT, CAP, 6MM .....	---	4	5	6	---	---	2	94002-06080-0S	0712505	
	NUT, CAP, 6MM .....	3	---	---	A	---	---	2	94002-06080-00	0860916	
	NUT, CAP, 6MM .....	---	4	5	6	---	---	2	94002-06080-00	0860916	
34	WASHER, FLAIN, 4MM .....	3	---	---	A	---	---	2	94021-06220-0S	0359141	
	WASHER, FLAIN, 4MM .....	---	4	5	6	---	---	2	94021-06220-0S	0359141	
35	WASHER, PLAIN, 6MM .....	3	---	---	A	---	---	2	94101-04800	0331462	
	WASHER, PLAIN, 6MM .....	---	4	5	---	---	---	2	94101-04800	0331462	
	WASHER, PLAIN, 6MM .....	3	---	---	A	---	---	2	94101-06800	0345900	
	WASHER, PLAIN, 6MM .....	---	4	5	6	---	---	2	94101-06800	0345900	
36	WASHER, SPRING, 4MM .....	3	---	---	A	---	---	2	94111-04800	0346114	
	WASHER, SPRING, 4MM .....	---	4	5	---	---	---	2	94111-04800	0346114	
37	WASHER, SPRING, 6MM .....	3	---	---	A	---	---	2	94111-06800	0258210	
	WASHER, SPRING, 6MM .....	---	4	5	6	---	---	2	94111-06800	0258210	

# CONTENTS

TITLE	PAGE	GRID
AIR CLEANER	156	1-44
BATTERY	152	1-12
BRAKE CALIPER, FR.	114	1-G7
BRAKE CALIPER, RR.	124	1-G12
BRAKE CONTROL LEVER	88	1-F6
BRAKE MASTER CYL. FR.	88	1-F6
BRAKE MASTER CYL. RR.	121	1-G10
BRAKE PEDAL	164	1-B
CABLES	85	1-F4
CANISTER 84-85	202	1-K3
CANISTER 86	204	1-K4
CLUTCH CONTROL LEVER	92	1-F8
CLUTCH MASTER CYLINDER	92	1-F8
DRIVE SHAFT	172	1-112
FENDER, FR.	105	1-G2
FENDER, RR.	178	1-J3
FINAL DRIVEN GEAR	130	1-H3
FOOTPEGS	166	1-19
FRAME	196	1-J12
FUEL PUMP	152	1-12
FUEL TANK	136	1-H6
GEARSHIFT PEDAL	164	1-B
HANDLEBAR	96	1-F10
HEADLIGHT	78	1-F1
HORN	100	1-F12
IGNITION COIL	188	1-J8
INSTRUMENTS	80	1-F2
MAIN STAND	169	1-110
MUFFLER	160	1-H6
RADIATOR	191	1-J9
RECTIFIER	144	1-H10
SEAT	141	1-H8
SHOCK ABSORBER	175	1-J1
SHOCK ABSORBER, FR.	106	1-G3
SIDE COVER	144	1-H10
SIDE STAND	169	1-110
SPARK UNIT	178	1-J3
STEERING STEM	100	1-F12
SWINGARM	172	1-112
SWITCHES	85	1-F4
TAILLIGHT	185	1-J6
TOOLS	200	1-K2
TOP BRIDGE	96	1-F10
TURN SIGNAL	180	1-J4
WHEEL, FR.	118	1-G9
WHEEL, RR.	127	1-H1
WIRE HARNESS	188	1-J8

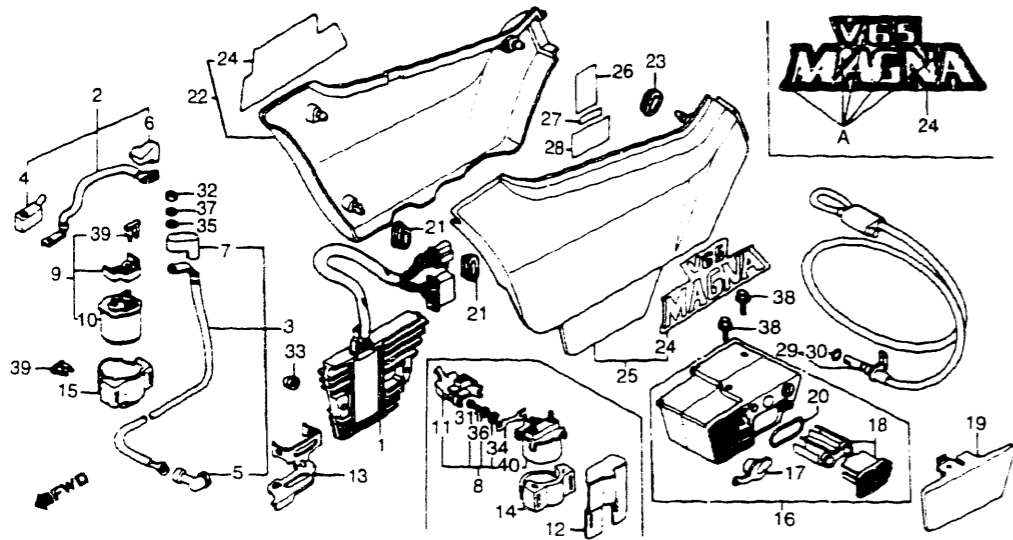
VF1100C'83 ENGINE NO.; SC12E-2000039 TO 2018597  
 VF1100C'83 FRAME NO.; SC120-DM000029 TO DM017677  
 VF1100C'84 ENGINE NO.; SC12E-2100001 TO 2116075  
 VF1100C'84 FRAME NO.; SC120-EA100001 TO EA117064

VF1100C'84 ENGINE NO.; SC12E-2102298 TO 2114635  
 VF1100C'84 FRAME NO.; SC121-EA100004 TO EA117067  
 VF1100C'85 ENGINE NO.; SC12E-2200001 TO 2208055  
 VF1100C'85 FRAME NO.; SC120-FA200006 TO FA208465

VF1100C'85 ENGINE NO.; SC12E-2200001 TO 2206580  
 VF1100C'85 FRAME NO.; SC121-FA200001 TO FA206845  
 VF1100C'86 ENGINE NO.; SC12E-2300020 TO 2304336  
 VF1100C'86 FRAME NO.; SC120-GM300101 TO GM304425

VF1100C'86 ENGINE NO.; SC12E-2300001 TO 2302532  
 VF1100C'86 FRAME NO.; SC121-GM301306 TO GM302625

# SIDE COVER • RECTIFIER



Color chart for side cover emblem ('83)

Type	Main color	Position
		A
TYPE 1	Pearl siren blue	Pearl siren blue
TYPE 2	Candy maroon	Candy maroon

"CAUTION OR WARNING LABELS MUST BE ORDERED SEPARATELY WHEN APPLICABLE"

F14MB4D16T

- 3 = VF1100C'83
- 4 = VF1100C'84
- 5 = VF1100C'85
- 6 = VF1100C'86

Ref. No.	BLOCK NO. DESCRIPTION	VF1100C				AREA	FRAME SERIAL NUMBER	QTY REQ	PART NUMBER	HONDA CODE
		3	4	5	6					
38	BOLT, FLANGE, 6X12	3	---	---	---	A	-----	2	95700-06012-07	0481176
	BOLT, FLANGE, 6X12	---	4	5	---	A	-----	2	95700-06012-07	0481176
39	FUSE, BLADE (30A)	---	---	---	6		-----	2	98200-33000	1644251
40	FUSE F (30A)	3	---	---	---	A	-----	2	98200-53000	0412676
		---	4	5	---		-----	2	98200-53000	0412676

# CONTENTS

TITLE	PAGE	GRID
AIR CLEANER	156	1-I4
BATTERY	152	1-I2
BRAKE CALIPER, FR.	114	1-G7
BRAKE CALIPER, RR.	124	1-G12
BRAKE CONTROL LEVER	88	1-F6
BRAKE MASTER CYL. FR.	88	1-F6
BRAKE MASTER CYL. RR.	121	1-G10
BRAKE PEDAL	164	1-I8
CABLES	85	1-F4
CANISTER 84-85	202	1-K3
CANISTER 86	204	1-K4
CLUTCH CONTROL LEVER	92	1-F8
CLUTCH MASTER CYLINDER	92	1-F8
DRIVE SHAFT	172	1-I12
FENDER, FR.	105	1-G2
FENDER, RR.	178	1-J3
FINAL DRIVEN GEAR	130	1-H3
FOOTPEGS	166	1-I9
FRAME	196	1-J12
FUEL PUMP	152	1-I2
FUEL TANK	136	1-H6
GEARSHIFT PEDAL	164	1-I8
HANDLEBAR	96	1-F10
HEADLIGHT	78	1-F1
HORN	100	1-F12
IGNITION COIL	188	1-J8
INSTRUMENTS	80	1-F2
MAIN STAND	169	1-I10
MUFFLER	160	1-I6
RADIATOR	191	1-J9
RECTIFIER	144	1-H10
SEAT	141	1-H8
SHOCK ABSORBER	175	1-J1
SHOCK ABSORBER, FR.	106	1-G3
SIDE COVER	144	1-H10
SIDE STAND	169	1-I10
SPARK UNIT	178	1-J3
STEERING STEM	100	1-F12
SWINGARM	172	1-I12
SWITCHES	85	1-F4
TAILLIGHT	185	1-J6
TOOLS	200	1-K2
TOP BRIDGE	96	1-F10
TURN SIGNAL	180	1-J4
WHEEL, FR.	118	1-G9
WHEEL, RR.	127	1-H1
WIRE HARNESS	188	1-J8

AMERICAN HONDA MOTOR CO. INC. 1994 151

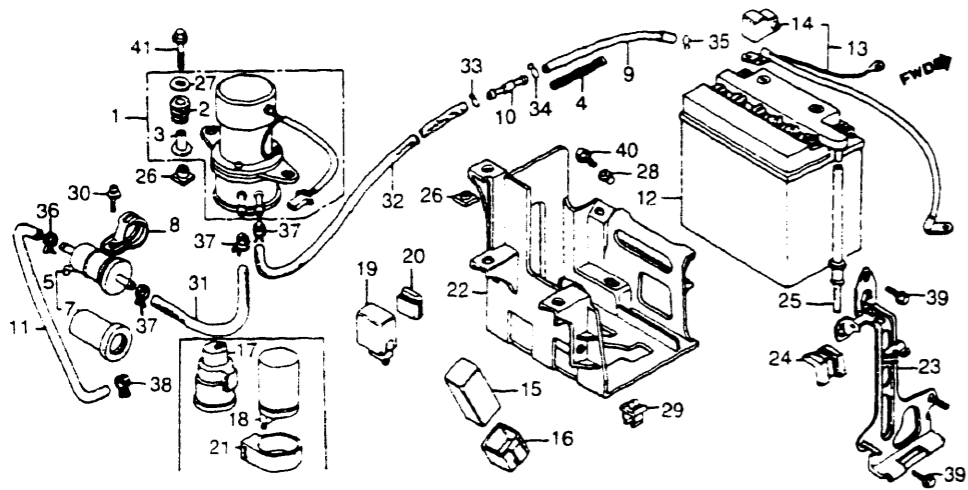
VF1100C'83 ENGINE NO.; SC12E-2000039 TO 2018597  
 VF1100C'83 FRAME NO.; SC120-DM000029 TO DM017677  
 VF1100C'84 ENGINE NO.; SC12E-2100001 TO 2116075  
 VF1100C'84 FRAME NO.; SC120-EA100001 TO EA117064

VF1100C'84 ENGINE NO.; SC12E-2102298 TO 2114635  
 VF1100C'84 FRAME NO.; SC121-EA100004 TO EA117067  
 VF1100C'85 ENGINE NO.; SC12E-2200001 TO 2208055  
 VF1100C'85 FRAME NO.; SC120-FA200006 TO FA208465

VF1100C'85 ENGINE NO.; SC12E-2200001 TO 2206580  
 VF1100C'85 FRAME NO.; SC121-FA200001 TO FA206845  
 VF1100C'86 ENGINE NO.; SC12E-2300020 TO 2304336  
 VF1100C'86 FRAME NO.; SC120-GM300101 TO GM304425

VF1100C'86 ENGINE NO.; SC12E-2300001 TO 2302532  
 VF1100C'86 FRAME NO.; SC121-GM301306 TO GM302625

# BATTERY • FUEL PUMP



F14MB4D19

Ref. No.	BLOCK NO. DESCRIPTION	VF1100C				AREA CODE	FRAME SERIAL NUMBER		QTY REQ	PART NUMBER	HONDA CODE
		1	1	1	1		FROM	TO			
		3	4	5	6	A					
1	PUMP ASSY., FUEL	3				A			1	16700-MB1-015	1488766
	PUMP ASSY., FUEL	3				A			1	16700-MB1-025	1730829
			4	5	6				1	16700-MB1-025	1730829
2	RUBBER, FUEL PUMP SETTING	3				A			2	16711-659-320	0602169
	RUBBER, FUEL PUMP SETTING		4	5	6				2	16711-605-300	0539411
3	COLLAR, FUEL PUMP DISTANCE	3				A			2	16712-MB1-000	1244250
			4	5	6				2	16712-MB1-000	1244250
4	SPRING, FUEL TUBE COVER	3				A			1	16715-MB1-000	1260215
			4	5	6				1	16715-MB1-000	1260215
5	STRAINER ASSY., FUEL				6				1	16900-MB1-930	2249563
6	STRAINER COMP., FUEL	3				A			1	16900-371-004	0404327
			4	5	6				1	16900-371-004	0404327
7	RUBBER, FUEL STRAINER				6				1	16901-MB1-930	2249571
8	HOLDER, FUEL STRAINER	3				A			1	16901-MB4-000	1386432
			4	5					1	16901-MB4-000	1386432
	HOLDER, FUEL STRAINER				6				1	16901-MB4-830	2249589
9	TUBE C, FUEL	3				A			1	16955-MB4-000	1425719

3 = VF1100C'83  
 4 = VF1100C'84  
 5 = VF1100C'85  
 6 = VF1100C'86

Ref. No.	BLOCK NO. DESCRIPTION	VF1100C				AREA CODE	FRAME SERIAL NUMBER		QTY REQ	PART NUMBER	HONDA CODE
		1	1	1	1		FROM	TO			
		3	4	5	6	A					
9	TUBE C, FUEL	3				A			1	16955-MB4-010	1707892
			4	5	6				1	16955-MB4-010	1707892
10	JOINT, FUEL TUBE	3				A			1	16959-MB1-700	1442300
	JOINT, FUEL TUBE		4	5	6				1	16959-MB1-000	1244375
11	TUBE B, FUEL	3				A			1	17512-MB4-000	1386564
			4	5	6				1	17512-MB4-000	1386564
12	BATTERY (YB18-A)	3				A			1	31500-MB4-671	1512474
			4	5	6				1	31500-MB4-671	1512474
	BATTERY (YB18A)	3				A			1	31500-MB4-772	1809672
			4	5	6				1	31500-MB4-772	1809672
	BATTERY (YB18-A)	3				A			1	31500-MB4-773	3046414
			4	5	6				1	31500-MB4-773	3046414
13	CABLE, BATTERY GROUND	3				A			1	32601-MB4-000	1387430
			4	5	6				1	32601-MB4-000	1387430
14	COVER, BATTERY TERMINAL	3				A			1	32602-MB4-000	1425735
			4	5	6				1	32602-MB4-000	1425735
15	RELAY, FUEL CUT	3				A			1	36100-MB1-701	1291426
			4	5	6				1	36100-MB1-701	1291426
16	SUSPENSION, FUEL CUT RELAY	3				A			1	36101-MB1-000	1246990
			4	5	6				1	36101-MB1-000	1246990
17	RELAY COMP., MAIN	3				A			1	36130-MC7-003	1208800
18	RELAY COMP., TURN SIGNAL (MITSUBA)	3				A			1	38301-MB0-004	1247337
			4						1	38301-MB0-004	1247337
	RELAY COMP., TURN SIGNAL (MITSUBA)	3				A			1	38301-MG9-681	1953405
			4						1	38301-MG9-681	1953405
19	RELAY COMP., TURN SIGNAL (TATEISHI)			5	6				1	38301-MF8-771	1591429
	RELAY COMP., TURN SIGNAL (MITSUBA)			5	6				1	38301-MF8-773	1833284
20	SUSPENSION, TURN SIGNAL RELAY			5	6				1	38306-GE7-000	1833292
	SUSPENSION, TURN SIGNAL RELAY			5	6				1	38306-ME9-771	1562370
21	SUSPENSION, TURN SIGNAL RELAY	3				A			1	38306-292-000	0480293
			4						1	38306-292-000	0480293
22	BOX COMP., BATTERY	3				A			1	50320-MB4-000	1388073
			4	5	6				1	50320-MB4-000	1388073

# CONTENTS

TITLE	PAGE	GRID
AIR CLEANER	156	1-14
BATTERY	152	1-12
BRAKE CALIPER, FR.	114	1-G7
BRAKE CALIPER, RR.	124	1-G12
BRAKE CONTROL LEVER	88	1-F6
BRAKE MASTER CYL. FR.	88	1-F6
BRAKE MASTER CYL. RR.	121	1-G10
BRAKE PEDAL	164	1-I8
CABLES	85	1-F4
CANISTER 84-85	202	1-K3
CANISTER 86	204	1-K4
CLUTCH CONTROL LEVER	92	1-F8
CLUTCH MASTER CYLINDER	92	1-F8
DRIVE SHAFT	172	1-I12
FENDER, FR.	105	1-G2
FENDER, RR.	178	1-J3
FINAL DRIVEN GEAR	130	1-M3
FOOTPEGS	166	1-I9
FRAME	196	1-J12
FUEL PUMP	152	1-I2
FUEL TANK	136	1-M6
GEARSHIFT PEDAL	164	1-I8
HANDLEBAR	96	1-F10
HEADLIGHT	78	1-F1
HORN	100	1-F12
IGNITION COIL	188	1-J8
INSTRUMENTS	80	1-F2
MAIN STAND	169	1-I10
MUFFLER	160	1-I6
RADIATOR	191	1-J9
RECTIFIER	144	1-H10
SEAT	141	1-M8
SHOCK ABSORBER	175	1-J1
SHOCK ABSORBER, FR.	106	1-G3
SIDE COVER	144	1-H10
SIDE STAND	169	1-I10
SPARK UNIT	178	1-J3
STEERING STEM	100	1-F12
SWINGARM	172	1-I12
SWITCHES	85	1-F4
TAILLIGHT	185	1-J6
TOOLS	200	1-K2
TOP BRIDGE	96	1-F10
TURN SIGNAL	180	1-J4
WHEEL, FR.	118	1-G9
WHEEL, RR.	127	1-H1
WIRE HARNESS	188	1-J8

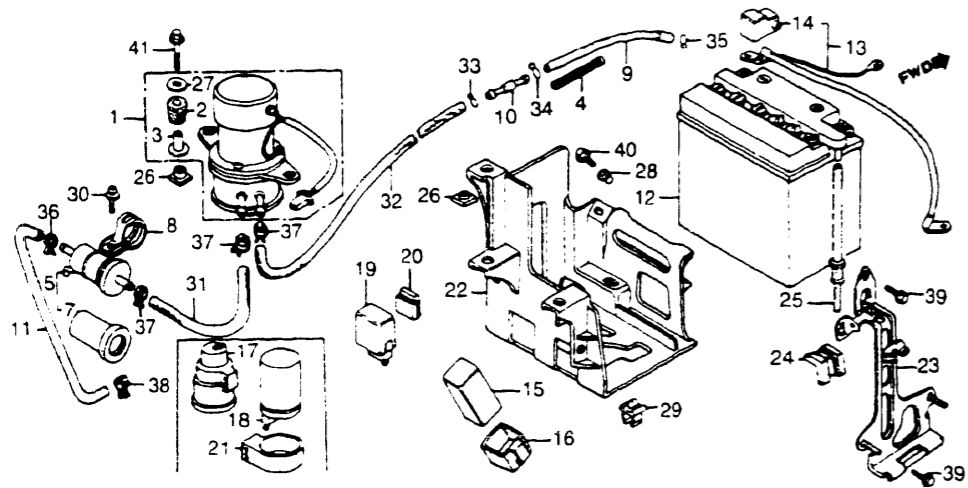
VF1100C'83 ENGINE NO.; SC12E-2000039 TO 2018597  
 VF1100C'83 FRAME NO.; SC120-DM00029 TO DM017677  
 VF1100C'84 ENGINE NO.; SC12E-2100001 TO 2116075  
 VF1100C'84 FRAME NO.; SC120-EA100001 TO EA117064

VF1100C'84 ENGINE NO.; SC12E-2102298 TO 2114635  
 VF1100C'84 FRAME NO.; SC121-EA100004 TO EA117067  
 VF1100C'85 ENGINE NO.; SC12E-2200001 TO 2208055  
 VF1100C'85 FRAME NO.; SC120-FA200006 TO FA208465

VF1100C'85 ENGINE NO.; SC12E-2200001 TO 2206580  
 VF1100C'85 FRAME NO.; SC121-FA200001 TO FA206845  
 VF1100C'86 ENGINE NO.; SC12E-2300020 TO 2304336  
 VF1100C'86 FRAME NO.; SC120-GM300101 TO GM304425

VF1100C'86 ENGINE NO.; SC12E-2300001 TO 2302532  
 VF1100C'86 FRAME NO.; SC121-GM301306 TO GM302625

# BATTERY • FUEL PUMP



F14MB4D19

Ref. No.	BLOCK NO. DESCRIPTION	VF1100C				AREA CODE	FRAME SERIAL NUMBER		QTY REQ	PART NUMBER	HONDA CODE
		1	2	3	4		FROM	TO			
	3 = VF1100C'83 4 = VF1100C'84 5 = VF1100C'85 6 = VF1100C'86	1	1	1	1						
		9	9	9	9						
		8	8	8	8						
		3	4	5	6						
23	PLATE COMP., BATTERY SUPPORT	3	--	--	--	A	--	--	1	50322-MB4-000 1388081 50322-MB4-000 1388081	
24	RUBBER, BATTERY HOLDER	3	--	--	--	A	--	--	1	50327-MB4-000 1385335 50327-MB4-000 1385335	
25	TUBE, BATTERY	3	--	--	--	A	--	--	1	50328-MB4-000 1385343 50328-MB4-000 1385343	
26	NUT, SPECIAL, 6MM	3	--	--	--	A	--	--	3	90302-MB1-000 1251248 90302-MB1-000 1251248	
27	WASHER, 6MM	3	--	--	--	A	--	--	2	90506-634-000 0954016 90506-634-000 0954016	
28	WASHER, 6X20	3	--	--	--	A	--	--	2	90512-300-000 0191494 90512-300-000 0191494	
29	CLIP, HOSE	3	--	--	--	A	--	--	1	90662-MA1-003 1057330 90662-MA1-003 1057330	
30	SCREW-WASHER, 5X12	3	--	--	--	A	--	--	1	93893-05012-07 0692665 93893-05012-07 0692665	
31	TUBE, 5.5X200 (BULK HOSE: 95001-55008-20M)	3	--	--	--	A	--	--	1	95001-55200-20 0371963 95001-55200-20 0371963	

Ref. No.	BLOCK NO. DESCRIPTION	VF1100C				AREA CODE	FRAME SERIAL NUMBER		QTY REQ	PART NUMBER	HONDA CODE
		1	2	3	4		FROM	TO			
	3 = VF1100C'83 4 = VF1100C'84 5 = VF1100C'85 6 = VF1100C'86	1	1	1	1						
		9	9	9	9						
		8	8	8	8						
		3	4	5	6						
32	TUBE, 5.5X940 (BULK HOSE: 95001-55008-20M)	3	--	--	--	A	--	--	1	95001-55940-20 1425875 95001-55940-20 1425875	
		--	4	--	--	AC	--	--	1	95001-55940-20 1425875	
		--	--	5	--	AC	--	--	1	95001-55940-20 1425875	
	TUBE, 5.5X920 (BULK HOSE: 95001-55008-20M)	--	--	5	--	A	--	--	1	95001-55920-20 1852763	
		--	--	--	6		--	--	1	95001-55920-20 1852763	
33	CLIP A12, TUBE	3	--	--	--	A	--	--	1	95002-01120 0262063	
		--	4	5	6		--	--	1	95002-01120 0262063	
34	CLIP, TUBE, B10	3	--	--	--	A	--	--	1	95002-02100 0250985	
		--	4	5	6		--	--	1	95002-02100 0250985	
35	CLIP, TUBE, B12	3	--	--	--	A	--	--	1	95002-02120 0335034	
		--	4	5	6		--	--	1	95002-02120 0335034	
36	CLIP, TUBE	3	--	--	--	A	--	--	1	95002-41000-08 0660829	
		--	4	5	6		--	--	1	95002-41000-08 0660829	
37	CLIP, TUBE, D12	3	--	--	--	A	--	--	3	95002-41050-00 1390970	
		--	4	5	6		--	--	3	95002-41050-00 1390970	
38	CLAMP, TUBE (D12)	3	--	--	--	A	--	--	1	95002-41200-08 1390988	
		--	4	5	6		--	--	1	95002-41200-08 1390988	
39	BOLT, FLANGE, 6X12	3	--	--	--	A	--	--	2	95700-06012-00 0487025	
		--	4	5	6		--	--	2	95700-06012-00 0487025	
	BOLT, FLANGE, 6X12	3	--	--	--	A	--	--	2	95701-06012-00 2105799	
		--	4	5	6		--	--	2	95701-06012-00 2105799	
40	BOLT, FLANGE, 6X14	3	--	--	--	A	--	--	2	95700-06014-00 0671198	
		--	4	5	6		--	--	2	95700-06014-00 0671198	
	BOLT, FLANGE, 6X14	3	--	--	--	A	--	--	2	95701-06014-00 2410884	
		--	4	5	6		--	--	2	95701-06014-00 2410884	
41	BOLT, FLANGE, 6X32	3	--	--	--	A	--	--	2	95700-06032-08 0252304	
		--	4	5	6		--	--	2	95700-06032-08 0252304	
	BOLT, FLANGE, 6X32	3	--	--	--	A	--	--	2	95701-06032-08 2581361	
		--	4	5	6		--	--	2	95701-06032-08 2581361	

# CONTENTS

TITLE	PAGE	GRID
AIR CLEANER	156	1-I4
BATTERY	152	1-I2
BRAKE CALIPER, FR.	114	1-G7
BRAKE CALIPER, RR.	124	1-G12
BRAKE CONTROL LEVER	88	1-F6
BRAKE MASTER CYL. FR.	88	1-F6
BRAKE MASTER CYL. RR.	121	1-G10
BRAKE PEDAL	164	1-I8
CABLES	85	1-F4
CANISTER 84-85	202	1-K3
CANISTER 86	204	1-K4
CLUTCH CONTROL LEVER	92	1-F8
CLUTCH MASTER CYLINDER	92	1-F8
DRIVE SHAFT	172	1-I12
FENDER, FR.	105	1-G2
FENDER, RR.	178	1-J3
FINAL DRIVEN GEAR	130	1-H3
FOOTPEGS	166	1-I9
FRAME	196	1-J12
FUEL PUMP	152	1-I2
FUEL TANK	136	1-H6
GEARSHIFT PEDAL	164	1-I8
HANDLEBAR	96	1-F10
HEADLIGHT	78	1-F1
HORN	100	1-F12
IGNITION COIL	188	1-J8
INSTRUMENTS	80	1-F2
MAIN STAND	169	1-I10
MUFFLER	160	1-I6
RADIATOR	191	1-J9
RECTIFIER	144	1-H10
SEAT	141	1-H8
SHOCK ABSORBER	175	1-J1
SHOCK ABSORBER, FR.	106	1-G3
SIDE COVER	144	1-H10
SIDE STAND	169	1-I10
SPARK UNIT	178	1-J3
STEERING STEM	100	1-F12
SWINGARM	172	1-I12
SWITCHES	85	1-F4
TAILLIGHT	185	1-J6
TOOLS	200	1-K2
TOP BRIDGE	96	1-F10
TURN SIGNAL	180	1-J4
WHEEL, FR.	118	1-G9
WHEEL, RR.	127	1-H1
WIRE HARNESS	188	1-J8

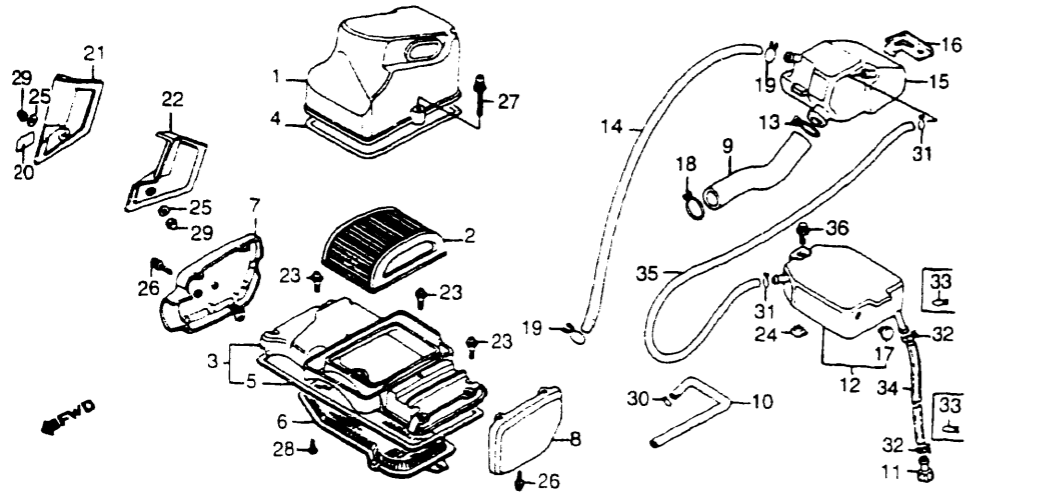
VF1100C'83 ENGINE NO.; SC12E-2000039 TO 2018597  
 VF1100C'83 FRAME NO.; SC120-DM000029 TO DM017677  
 VF1100C'84 ENGINE NO.; SC12E-2100001 TO 2116075  
 VF1100C'84 FRAME NO.; SC120-EA100001 TO EA117064

VF1100C'84 ENGINE NO.; SC12E-2102298 TO 2114635  
 VF1100C'84 FRAME NO.; SC121-EA100004 TO EA117067  
 VF1100C'85 ENGINE NO.; SC12E-2200001 TO 2208055  
 VF1100C'85 FRAME NO.; SC120-FA200006 TO FA208465

VF1100C'85 ENGINE NO.; SC12E-2200001 TO 2206580  
 VF1100C'85 FRAME NO.; SC121-FA200001 TO FA206845  
 VF1100C'86 ENGINE NO.; SC12E-2300020 TO 2304336  
 VF1100C'86 FRAME NO.; SC120-GM300101 TO GM304425

VF1100C'86 ENGINE NO.; SC12E-2300001 TO 2302532  
 VF1100C'86 FRAME NO.; SC121-GM301306 TO GM302625

# AIR CLEANER



F14MB4D20

Ref No.	BLOCK NO. DESCRIPTION	F-20	VF1100C				AREA CODE	FRAME SERIAL NUMBER		QTY REQ	PART NUMBER	HONDA CODE
			1	2	3	4		FROM	TO			
	3 = VF1100C'83 4 = VF1100C'84 5 = VF1100C'85 6 = VF1100C'86		1	1	1	1						
1	CASE COMP., AIR CLEANER		3	--	--	--	A	---	---	1	17205-MB4-000	1438993
			--	4	5	6				1	17205-MB4-000	1438993
2	ELEMENT, AIR CLEANER		3	--	--	--	A	---	---	1	17210-MB4-000	1386457
			--	4	5	6				1	17210-MB4-000	1386457
3	COVER, AIR CLEANER CHAMBER BASE		3	--	--	--	A	---	---	1	17230-MB4-000	1386473
			--	4	5	6				1	17230-MB4-000	1386473
4	SEAL, AIR CLEANER COVER		3	--	--	--	A	---	---	1	17212-GJ5-000	1703636
			--	4	5	6				1	17212-GJ5-000	1703636
	SEAL, AIR CLEANER CASE		3	--	--	--	A	---	---	1	17212-GR1-000	2500007
			--	4	5	6				1	17212-GR1-000	2500007
	SEAL, AIR CLEANER COVER		3	--	--	--	A	---	---	1	17212-KJ9-000	1698190
			--	4	5	6				1	17212-KJ9-000	1698190
	SEAL, AIR CLEANER COVER		3	--	--	--	A	---	---	1	17219-HB3-000	2130276
			--	4	5	6				1	17219-HB3-000	2130276
	SEAL, AIR CLEANER COVER		3	--	--	--	A	---	---	1	17219-MA0-000	1034529
			--	4	5	6				1	17219-MA0-000	1034529
	GASKET, AIR CLEANER COVER		3	--	--	--	A	---	---	1	17222-MN4-405	2941573
			--	4	5	6				1	17222-MN4-405	2941573

Ref No.	BLOCK NO. DESCRIPTION	F-20	VF1100C				AREA CODE	FRAME SERIAL NUMBER		QTY REQ	PART NUMBER	HONDA CODE
			1	2	3	4		FROM	TO			
	3 = VF1100C'83 4 = VF1100C'84 5 = VF1100C'85 6 = VF1100C'86		1	1	1	1						
4	SEAL, AIR CLEANER CASE		3	--	--	--	A	---	---	1	17231-MB1-000	1244581
			--	4	5	6				1	17231-MB1-000	1244581
	SEAL, AIR CLEANER CASE		3	--	--	--	A	---	---	1	17231-MB2-000	1427509
			--	4	5	6				1	17231-MB2-000	1427509
	SEAL, AIR CLEANER COVER		3	--	--	--	A	---	---	1	17231-MB4-000	1386481
			--	4	5	6				1	17231-MB4-000	1386481
5	GASKET, AIR CLEANER COVER		3	--	--	--	A	---	---	1	17222-MN4-405	2941573
			--	4	5	6				1	17222-MN4-405	2941573
	GASKET, AIR CLEANER BASE		3	--	--	--	A	---	---	1	17232-MB4-000	1386499
			--	4	5	6				1	17232-MB4-000	1386499
6	NET COMP., AIR CLEANER BASE		3	--	--	--	A	---	---	1	17251-MB4-000	1391606
			--	4	5	6				1	17251-MB4-000	1391606
7	COVER, R. AIR CLEANER CHAMBER		3	--	--	--	A	---	---	1	17255-MB4-000	1386515
			--	4	5	6				1	17255-MB4-000	1386515
8	COVER, L. AIR CLEANER CHAMBER		3	4	5	6	A	---	---	1	17255-MB4-000	1386515
	COVER, L. AIR CLEANER CHAMBER		--	4	5	6	AC	---	---	1	17256-MB4-880	1546258
9	TUBE, BREATHER		3	--	--	--	A	---	---	1	17360-MB4-000	1386531
			--	4	5	6				1	17360-MB4-000	1386531
10	TUBE, OUTER VENT		--	4	5	--	A	---	---	1	17364-MB4-610	1707900
			--	--	--	6				1	17364-MB4-610	1707900
11	PLUG, BREATHER TUBE		3	--	--	--	A	---	---	1	17370-419-700	0669002
			--	4	5	6				1	17370-419-700	0669002
12	TANK, STORAGE		3	--	--	--	A	---	---	1	17551-MB4-000	1386598
			--	4	5	6				1	17551-MB4-000	1386598
13	CLIP, BREATHER TUBE		3	--	--	--	A	---	---	1	17554-MB4-000	1384593
			--	4	5	6				1	17554-MB4-000	1384593
14	TUBE, RETURN		3	--	--	--	A	---	---	1	17555-MB4-000	1386606
			--	4	5	6				1	17555-MB4-000	1386606
15	CHAMBER COMP., BREATHER		3	--	--	--	A	---	---	1	17556-MB4-000	1384601
			--	4	5	6				1	17556-MB4-000	1384601
16	HOLDER, BREATHER CHAMBER		3	--	--	--	A	---	---	1	17558-MB4-000	1384619
			--	4	5	6				1	17558-MB4-000	1384619
17	PLUG, STORAGE TANK		3	--	--	--	A	---	---	1	17561-MB4-000	1707934
			--	4	5	6				1	17561-MB4-000	1707934
18	CLIP, AIR HOSE, 21.5		3	--	--	--	A	---	---	1	18532-634-670	0576140
			--	4	5	6				1	18532-634-670	0576140
19	CLIP, AIR HOSE, 16		3	--	--	--	A	---	---	2	18534-634-670	0576165
			--	4	5	6				2	18534-634-670	0576165
20	LABEL, FAN MOTOR FUSE		--	4	5	6				1	38216-MB4-770	1765734

# CONTENTS

TITLE	PAGE	GRID
AIR CLEANER	156	1-14
BATTERY	152	1-12
BRAKE CALIPER, FR	114	1-G7
BRAKE CALIPER, RR	124	1-G12
BRAKE CONTROL LEVER	88	1-F6
BRAKE MASTER CYL. FR	88	1-F6
BRAKE MASTER CYL. RR	121	1-G10
BRAKE PEDAL	164	1-18
CABLES	85	1-F4
CANISTER 84-85	202	1-K3
CANISTER 86	204	1-K4
CLUTCH CONTROL LEVER	92	1-F8
CLUTCH MASTER CYLINDER	92	1-F8
DRIVE SHAFT	172	1-12
FENDER, FR	105	1-G2
FENDER, RR	178	1-J3
FINAL DRIVEN GEAR	130	1-H3
FOOTPEGS	166	1-19
FRAME	196	1-J12
FUEL PUMP	152	1-12
FUEL TANK	136	1-H6
GEARSHIFT PEDAL	164	1-18
HANDLEBAR	96	1-F10
HEADLIGHT	78	1-F1
HORN	100	1-F12
IGNITION COIL	188	1-J8
INSTRUMENTS	80	1-F2
MAIN STAND	169	1-10
MUFFLER	160	1-16
RADIATOR	191	1-J9
RECTIFIER	144	1-H10
SEAT	141	1-H8
SHOCK ABSORBER	175	1-J1
SHOCK ABSORBER, FR	106	1-G3
SIDE COVER	144	1-H10
SIDE STAND	169	1-10
SPARK UNIT	178	1-J3
STEERING STEM	100	1-F12
SWINGARM	172	1-12
SWITCHES	85	1-F4
TAILLIGHT	185	1-J6
TOOLS	200	1-K2
TOP BRIDGE	96	1-F10
TURN SIGNAL	180	1-J4
WHEEL, FR	118	1-G9
WHEEL, RR	127	1-H1
WIRE HARNESS	188	1-J8

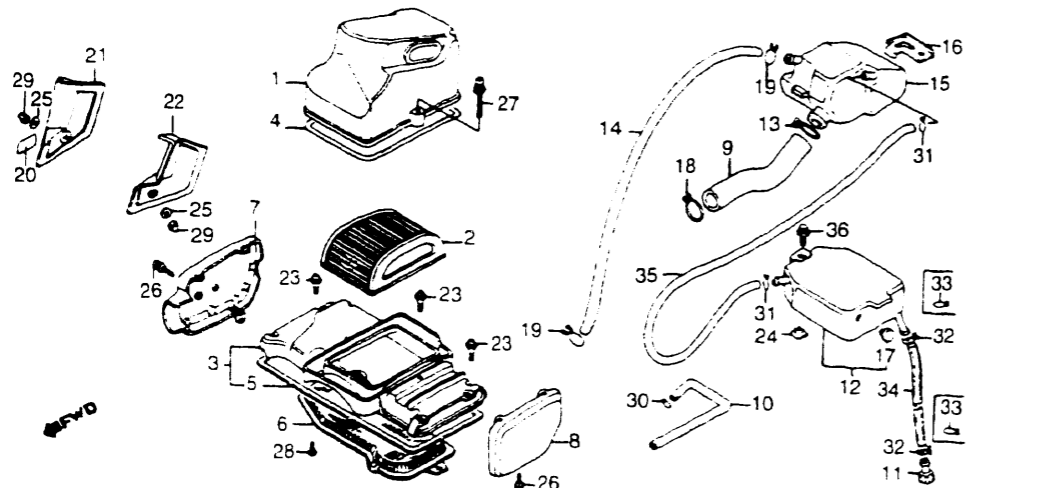
VF1100C'83 ENGINE NO.; SC12E-2000039 TO 2018597  
 VF1100C'83 FRAME NO.; SC120-DM000029 TO DM017677  
 VF1100C'84 ENGINE NO.; SC12E-2100001 TO 2116075  
 VF1100C'84 FRAME NO.; SC120-EA100001 TO EA117064

VF1100C'84 ENGINE NO.; SC12E-2102298 TO 2114635  
 VF1100C'84 FRAME NO.; SC121-EA100004 TO EA117067  
 VF1100C'85 ENGINE NO.; SC12E-2200001 TO 2208055  
 VF1100C'85 FRAME NO.; SC120-FA200006 TO FA208465

VF1100C'85 ENGINE NO.; SC12E-2200001 TO 2206580  
 VF1100C'85 FRAME NO.; SC121-FA200001 TO FA206845  
 VF1100C'86 ENGINE NO.; SC12E-2300020 TO 2304336  
 VF1100C'86 FRAME NO.; SC120-GM300101 TO GM304425

VF1100C'86 ENGINE NO.; SC12E-2300001 TO 2302532  
 VF1100C'86 FRAME NO.; SC121-GM301306 TO GM302625

# AIR CLEANER



F14MB4D20

Ref. No.	BLOCK NO. DESCRIPTION	VF1100C				AREA CODE	FRAME SERIAL NUMBER		QTY REQ	PART NUMBER	HONDA CODE
		1	2	3	4		FROM	TO			
	3 = VF1100C'83 4 = VF1100C'84 5 = VF1100C'85 6 = VF1100C'86	1	1	1	1						
		9	8	8	8						
		3	4	5	6						
21	COVER, R. FR. SIDE	3	--	--	--	A	----	----	1	61402-MB4-000 1388404	
		--	4	5	6		----	----	1	61402-MB4-000 1388404	
22	COVER, L. FR. SIDE	3	--	--	--	A	----	----	1	61403-MB4-000 1388412	
		--	4	5	6		----	----	1	61403-MB4-000 1388412	
23	SCREW, PAN, 4X15	3	--	--	--	A	----	----	6	90141-MB0-000 1251024	
		--	4	5	6		----	----	6	90141-MB0-000 1251024	
24	NUT, SPECIAL, 6MM	3	--	--	--	A	----	----	1	90302-MB1-000 1251248	
		--	4	5	6		----	----	1	90302-MB1-000 1251248	
25	WASHER, FR. SIDE COVER	3	--	--	--	A	----	----	2	90556-MB4-000 1425867	
		--	4	5	6		----	----	2	90556-MB4-000 1425867	
26	SCREW-WASHER, 4X12	3	--	--	--	A	----	----	2	93892-04012-00 0485946	
		--	4	5	6		----	----	2	93892-04012-00 0485946	
27	SCREW-WASHER, 6X32	3	--	--	--	A	----	----	2	93893-06032-08 1401744	
		--	4	5	6		----	----	2	93893-06032-08 1401744	
28	SCREW, TAP, 5X12	3	--	--	--	A	----	----	2	93901-35210 0694638	
		--	4	5	6		----	----	2	93901-35210 0694638	
29	NUT, CAP, 6MM	3	--	--	--	A	----	----	2	90301-KW8-900 3130309	
		--	4	5	6		----	----	2	90301-KW8-900 3130309	

VF1100C'83 ENGINE NO.; SC12E-2000039 TO 2018597  
 VF1100C'83 FRAME NO.; SC120-DM000029 TO DM017677  
 VF1100C'84 ENGINE NO.; SC12E-2100001 TO 2116075  
 VF1100C'84 FRAME NO.; SC120-EA100001 TO EA117064

VF1100C'84 ENGINE NO.; SC12E-2102298 TO 2114635  
 VF1100C'84 FRAME NO.; SC121-EA100004 TO EA117067  
 VF1100C'85 ENGINE NO.; SC12E-2200001 TO 2208055  
 VF1100C'85 FRAME NO.; SC120-FA200006 TO FA208465

Ref. No.	BLOCK NO. DESCRIPTION	VF1100C				AREA CODE	FRAME SERIAL NUMBER		QTY REQ	PART NUMBER	HONDA CODE
		1	2	3	4		FROM	TO			
		1	1	1	1						
		9	8	8	8						
		3	4	5	6						
29	NUT, CAP, 6MM	3	--	--	--	A	----	----	2	94021-06070 0412387	
		--	4	5	6		----	----	2	94021-06070 0412387	
	NUT, CAP, 6MM	3	--	--	--	A	----	----	2	94021-06070-0S 0712513	
		--	4	5	6		----	----	2	94021-06070-0S 0712513	
	NUT, CAP, 6MM	3	--	--	--	A	----	----	2	94021-06270-0S 1716141	
		--	4	5	6		----	----	2	94021-06270-0S 1716141	
30	CLIP, TUBE, B12	--	4	5	--		----	----	1	95002-02120 0335034	
		--	--	--	6	A	----	----	1	95002-02120 0335034	
31	CLIP, TUBE, B12.5	3	--	--	--	A	----	----	2	95002-02130 0323352	
		--	4	5	6		----	----	2	95002-02130 0323352	
32	CLIP, TUBE, 10.5MM	--	--	5	6		----	----	2	95002-41050-08 0622357	
33	CLIP, TUBE, C11	3	--	--	--	A	----	----	2	95002-70000 0053595	
		--	4	--	--		----	----	2	95002-70000 0053595	
34	TUBE, VINYL, 8X12X280	3	--	--	--	A	----	----	1	95003-23280-31 1413921	
		--	4	5	6		----	----	1	95003-23280-31 1413921	
35	TUBE, 7.3X450 (BULK HOSE: 95005-75003-10M)	3	--	--	--	A	----	----	1	95005-75450-20 1391002	
		--	4	5	6		----	----	1	95005-75450-20 1391002	
36	BOLT, FLANGE, 6X14	3	--	--	--	A	----	----	1	95700-06014-00 0671198	
		--	4	5	6		----	----	1	95700-06014-00 0671198	
	BOLT, FLANGE, 6X14	3	--	--	--	A	----	----	1	95701-06014-00 2410884	
		--	4	5	6		----	----	1	95701-06014-00 2410884	

VF1100C'85 ENGINE NO.; SC12E-2200001 TO 2206580  
 VF1100C'85 FRAME NO.; SC121-FA200001 TO FA206845  
 VF1100C'86 ENGINE NO.; SC12E-2300020 TO 2304336  
 VF1100C'86 FRAME NO.; SC120-GM300101 TO GM304425

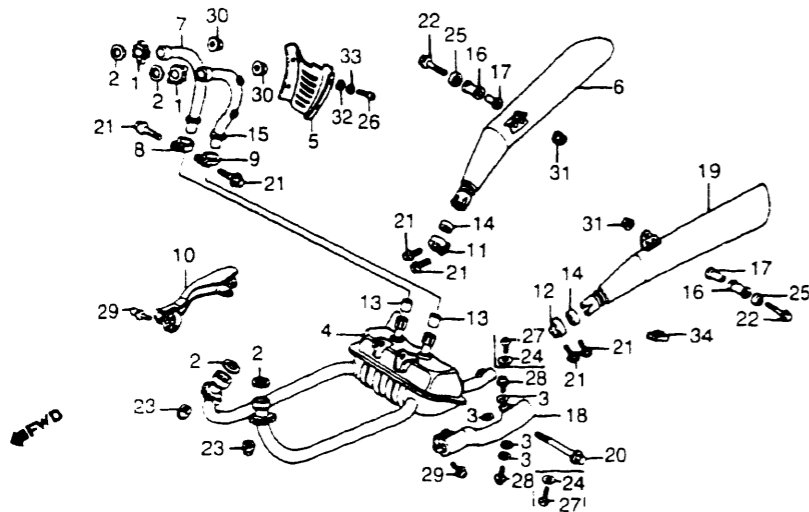
VF1100C'86 ENGINE NO.; SC12E-2300001 TO 2302532  
 VF1100C'86 FRAME NO.; SC121-GM301306 TO GM302625

# CONTENTS

TITLE	PAGE	GRID
AIR CLEANER	156	1-14
BATTERY	152	1-12
BRAKE CALIPER, FR.	114	1-G7
BRAKE CALIPER, RR.	124	1-G12
BRAKE CONTROL LEVER	88	1-F6
BRAKE MASTER CYL. FR.	88	1-F6
BRAKE MASTER CYL. RR.	121	1-G10
BRAKE PEDAL	164	1-18
CABLES	85	1-F4
CANISTER 84-85	202	1-K3
CANISTER 86	204	1-K4
CLUTCH CONTROL LEVER	92	1-F8
CLUTCH MASTER CYLINDER	92	1-F8
DRIVE SHAFT	172	1-112
FENDER, FR.	105	1-G2
FENDER, RR.	178	1-J3
FINAL DRIVEN GEAR	130	1-H3
FOOTPEGS	166	1-19
FRAME	196	1-J12
FUEL PUMP	152	1-12
FUEL TANK	136	1-H6
GEARSHIFT PEDAL	164	1-18
HANDLEBAR	96	1-F10
HEADLIGHT	78	1-F1
HORN	100	1-F12
IGNITION COIL	188	1-J8
INSTRUMENTS	80	1-F2
MAIN STAND	169	1-110
MUFFLER	160	1-16
RADIATOR	191	1-J9
RECTIFIER	144	1-H10
SEAT	141	1-H8
SHOCK ABSORBER	175	1-J1
SHOCK ABSORBER, FR.	106	1-G3
SIDE COVER	144	1-H10
SIDE STAND	169	1-110
SPARK UNIT	178	1-J3
STEERING STEM	100	1-F12
SWINGARM	172	1-112
SWITCHES	85	1-F4
TAILLIGHT	185	1-J6
TOOLS	200	1-K2
TOP BRIDGE	96	1-F10
TURN SIGNAL	180	1-J4
WHEEL, FR.	118	1-G9
WHEEL, RR.	127	1-H1
WIRE HARNESS	188	1-J8



# MUFFLER



F14MB4D21

Ref. No.	BLOCK NO. DESCRIPTION	VF1100C				AREA	FRAME SERIAL NUMBER		QTY REQ	PART NUMBER	HONDA CODE
		1	1	1	1		FROM	TO			
		3	4	5	6						
1	JOINT, EX. PIPE	3	---	---	---	A	---	---	2	18231-MB4-000 18231-MB4-000	1386648 1386648
2	GASKET, EX. PIPE	3	---	---	---	A	---	---	4	18291-MM4-920 18291-MM4-920	2916997 2916997
	GASKET, EX. PIPE	3	---	---	---	A	---	---	4	18291-236-000 18291-236-000	0148593 0148593
3	GASKET, PROTECTOR	3	---	---	---	A	---	---	8	18292-KF9-900 18292-KF9-900	2977080 2977080
	GASKET, PROTECTOR	3	---	---	---	A	---	---	8	18292-MM9-740 18292-MM9-740	2942258 2942258
	GASKET, PROTECTOR	3	---	---	---	A	---	---	8	18292-415-000 18292-415-000	0667345 0667345
4	CHAMBER COMP., EX.	3	---	---	---	A	---	---	1	18300-MB4-003 18300-MB4-003	1386655 1386655
	CHAMBER COMP., EX.	3	---	---	---	A	---	---	1	18300-MB4-405 18300-MB4-405	4415022 4415022
	CHAMBER COMP., EX.	---	---	---	6				1	18300-MB4-830	2246643
5	PROTECTOR, RR. EX. PIPE	3	---	---	---	A	---	---	1	18316-MB4-003 18316-MB4-003	1386663 1386663

Ref. No.	BLOCK NO. DESCRIPTION	VF1100C				AREA	FRAME SERIAL NUMBER		QTY REQ	PART NUMBER	HONDA CODE
		1	1	1	1		FROM	TO			
		3	4	5	6						
6	MUFFLER COMP., R.	3	---	---	---	A	---	---	1	18330-MB4-003 18330-MB4-003	1384635 1384635
	MUFFLER COMP., R.	---	4	5	6				1	18330-MB4-771	1542281
7	PIPE, R. RR. EX.	3	---	---	---	A	---	---	1	18370-MB4-003 18370-MB4-003	1386671 1386671
8	BAND, R. EX. PIPE	3	---	---	---	A	---	---	1	18373-MB4-003 18373-MB4-003	1386689 1386689
	BAND, R. EX. PIPE	3	---	---	---	A	---	---	1	18373-ML8-003 18373-ML8-003	2143469 2143469
9	BAND, L. EX. PIPE	3	---	---	---	A	---	---	1	18374-MB4-003 18374-MB4-003	1386697 1386697
	BAND, L. EX. PIPE	3	---	---	---	A	---	---	1	18374-ML8-003 18374-ML8-003	2143477 2143477
10	PROTECTOR, R. CHAMBER	3	---	---	---	A	---	---	1	18375-MB4-003 18375-MB4-003	1385269 1385269
11	BAND, R. MUFFLER	3	---	---	---	A	---	---	1	18376-MB4-003 18376-MB4-003	1386705 1386705
12	BAND, L. MUFFLER	3	---	---	---	A	---	---	1	18377-MB4-003 18377-MB4-003	1386713 1386713
13	GASKET, MUFFLER	3	---	---	---	A	---	---	2	18391-ML8-000 18391-ML8-000	2152213 2152213
	GASKET, MUFFLER	3	---	---	---	A	---	---	2	18391-110-000 18391-110-000	0417147 0417147
14	GASKET, MUFFLER	3	---	---	---	A	---	---	2	18391-429-000 18391-429-000	0785147 0785147
	GASKET, MUFFLER	---	---	5	---		FA205944		2	18391-429-000	0785147
	GASKET, MUFFLER	---	---	5	---		FA205944		2	18391-429-010 18391-429-010	3783263 3783263
	GASKET, RR. MUFFLER	---	---	5	---		FA205945		2	18392-MJ4-670 18392-MJ4-670	2068922 2068922
	GASKET, MUFFLER	---	---	5	---		FA205945		2	18392-449-000	0790329
15	PIPE, L. RR. EX.	3	---	---	---	A	---	---	1	18420-MB4-003 18420-MB4-003	1386721 1386721
16	RUBBER, MUFFLER SETTING	3	---	---	---	A	---	---	2	18421-MB0-000 18421-MB0-000	1245299 1245299
17	COLLAR, MUFFLER SETTING	3	---	---	---	A	---	---	2	18422-MB0-000 18422-MB0-000	1245307 1245307

# CONTENTS

TITLE	PAGE	GRID
AIR CLEANER	156	1-I4
BATTERY	152	1-I2
BRAKE CALIPER, FR.	114	1-G7
BRAKE CALIPER, RR.	124	1-G12
BRAKE CONTROL LEVER	88	1-F6
BRAKE MASTER CYL. FR.	88	1-F6
BRAKE MASTER CYL. RR.	121	1-G10
BRAKE PEDAL	164	1-I8
CABLES	85	1-F4
CANISTER 84-85	202	1-K3
CANISTER 86	204	1-K4
CLUTCH CONTROL LEVER	92	1-F8
CLUTCH MASTER CYLINDER	92	1-F8
DRIVE SHAFT	172	1-I12
FENDER, FR.	105	1-G2
FENDER, RR.	178	1-J3
FINAL DRIVEN GEAR	130	1-H3
FOOTPEGS	166	1-I9
FRAME	196	1-J12
FUEL PUMP	152	1-I2
FUEL TANK	136	1-H6
GEARSHIFT PEDAL	164	1-I8
HANDLEBAR	96	1-F10
HEADLIGHT	78	1-F1
HORN	100	1-F12
IGNITION COIL	188	1-J8
INSTRUMENTS	80	1-F2
MAIN STAND	169	1-I10
MUFFLER	160	1-I6
RADIATOR	191	1-J9
RECTIFIER	144	1-H10
SEAT	141	1-H8
SHOCK ABSORBER	175	1-J1
SHOCK ABSORBER, FR.	106	1-G3
SIDE COVER	144	1-H10
SIDE STAND	169	1-I10
SPARK UNIT	178	1-J3
STEERING STEM	100	1-F12
SWINGARM	172	1-I12
SWITCHES	85	1-F4
TAILLIGHT	185	1-J6
TOOLS	200	1-K2
TOP BRIDGE	96	1-F10
TURN SIGNAL	180	1-J4
WHEEL, FR.	118	1-G9
WHEEL, RR.	127	1-H1
WIRE HARNESS	188	1-J8

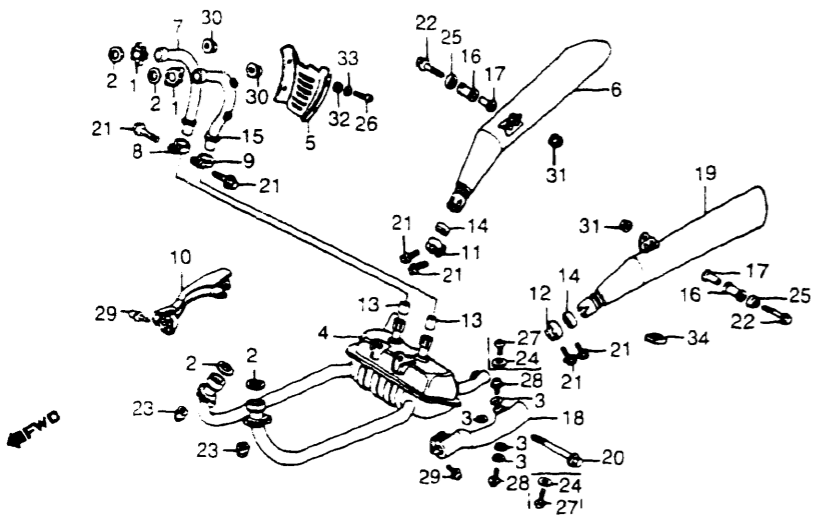
VF1100C'83 ENGINE NO.; SC12E-2000039 TO 2018597  
 VF1100C'83 FRAME NO.; SC120-DM00029 TO DM017677  
 VF1100C'84 ENGINE NO.; SC12E-2100001 TO 2116075  
 VF1100C'84 FRAME NO.; SC120-EA100001 TO EA117064

VF1100C'84 ENGINE NO.; SC12E-2102298 TO 2114635  
 VF1100C'84 FRAME NO.; SC121-EA100004 TO EA117067  
 VF1100C'85 ENGINE NO.; SC12E-2200001 TO 2208055  
 VF1100C'85 FRAME NO.; SC120-FA200006 TO FA208465

VF1100C'85 ENGINE NO.; SC12E-2200001 TO 2206580  
 VF1100C'85 FRAME NO.; SC121-FA200001 TO FA206845  
 VF1100C'86 ENGINE NO.; SC12E-2300020 TO 2304336  
 VF1100C'86 FRAME NO.; SC120-GM300101 TO GM304425

VF1100C'86 ENGINE NO.; SC12E-2300001 TO 2302532  
 VF1100C'86 FRAME NO.; SC121-GM301306 TO GM302625

# MUFFLER



F14MB4D21

Ref. No.	BLOCK NO. DESCRIPTION	VF1100C				AREA CODE	FRAME SERIAL NUMBER		QTY REQ	PART NUMBER	HONDA CODE
		1	1	1	1		FROM	TO			
		1	1	1	1						
		9	9	9	9						
		8	8	8	8						
		3	4	5	6						
18	PROTECTOR, L. CHAMBER	3	--	--	--	A	--	--	1	18425-MB4-003 1385277	
		--	4	5	6		--	--	1	18425-MB4-003 1385277	
19	MUFFLER COMP., L.	3	--	--	--	A	--	--	1	18430-MB4-003 1384643	
		--	4	5	6		--	--	1	18430-MB4-003 1384643	
	MUFFLER COMP., L.	--	4	5	6		--	--	1	18430-MB4-771 1542299	
20	BOLT, FLANGE, 8X70	3	--	--	--	A	--	--	1	90112-MB4-000 1384940	
		--	4	5	6		--	--	1	90112-MB4-000 1384940	
21	BOLT, FLANGE, 8X37	3	--	--	--	A	--	--	6	90118-MB4-000 1425826	
		--	4	5	6		--	--	6	90118-MB4-000 1425826	
	BOLT, FLANGE, 8X37	3	--	--	--	A	--	--	6	90118-471-000 1057215	
		--	4	5	6		--	--	6	90118-471-000 1057215	
22	BOLT, SPECIAL FLANGE, 8X45	3	--	--	--	A	--	--	2	90158-MB1-000 1260777	
		--	4	5	6		--	--	2	90158-MB1-000 1260777	
23	NUT, CAP, 6MM	3	--	--	--	A	--	--	4	90304-438-000 0765693	
		--	4	5	6		--	--	4	90304-438-000 0765693	
24	WASHER, PLAIN, 6MM	3	--	--	--	A	--	--	4	90508-MB4-000 1425859	
25	WASHER, SPECIAL, 8MM	3	--	--	--	A	--	--	2	90557-MB0-000 1251388	
		--	4	5	6		--	--	2	90557-MB0-000 1251388	

VF1100C'83 ENGINE NO.; SC12E-2000039 TO 2018597  
 VF1100C'83 FRAME NO.; SC120-DM000029 TO DM017677  
 VF1100C'84 ENGINE NO.; SC12E-2100001 TO 2116075  
 VF1100C'84 FRAME NO.; SC120-EA100001 TO EA117064

VF1100C'84 ENGINE NO.; SC12E-2102298 TO 2114635  
 VF1100C'84 FRAME NO.; SC121-EA100004 TO EA117067  
 VF1100C'85 ENGINE NO.; SC12E-2200001 TO 2208055  
 VF1100C'85 FRAME NO.; SC120-FA200006 TO FA208465

Ref. No.	BLOCK NO. DESCRIPTION	VF1100C				AREA CODE	FRAME SERIAL NUMBER		QTY REQ	PART NUMBER	HONDA CODE
		1	1	1	1		FROM	TO			
		1	1	1	1						
		9	9	9	9						
		8	8	8	8						
		3	4	5	6						
26	SCREW, PAN, 6X8	3	--	--	--	A	--	--	4	93500-06008-4J 1391010	
		--	4	5	6		--	--	4	93500-06008-4J 1391010	
27	SCREW, PAN, 6X12	3	--	--	--	A	--	--	4	93500-06012-4J 0219550	
28	SCREW-WASHER, 6X12	--	4	5	6		--	--	4	93891-06012-00 0638429	
29	SCREW-WASHER, 6X16	3	--	--	--	A	--	--	2	93891-06016-00 1391028	
		--	4	5	6		--	--	2	93891-06016-00 1391028	
30	NUT, FLANGE, 6MM	3	--	--	--	A	--	--	4	94050-06000 0471623	
		--	4	5	6		--	--	4	94050-06000 0471623	
31	NUT, FLANGE, 8MM	3	--	--	--	A	--	--	2	94050-08000 0481143	
		--	4	5	6		--	--	2	94050-08000 0481143	
32	WASHER, PLAIN, 6MM	3	--	--	--	A	--	--	4	94101-06000 0059071	
		--	4	5	--		--	--	4	94101-06000 0059071	
	WASHER, PLAIN, 6MM	3	--	--	--	A	--	--	4	94101-06080 3136074	
		--	4	5	--		--	--	4	94101-06080 3136074	
	WASHER, PLAIN, 6MM	3	--	--	--	A	--	--	4	94101-06800 0345900	
		--	4	5	--		--	--	4	94101-06800 0345900	
	WASHER, PLAIN, 6MM	--	--	--	6		--	--	4	94101-06200 0059089	
33	WASHER, SPRING, 6MM	3	--	--	--	A	--	--	4	94111-06000 0058974	
		--	4	5	--		--	--	4	94111-06000 0058974	
	WASHER, SPRING, 6MM	--	--	--	6		--	--	4	90401-MB2-000 2072890	
34	RUBBER A, STAND STOPPER	3	--	--	--	A	--	--	1	95011-61000 0255638	
		--	4	5	6		--	--	1	95011-61000 0255638	

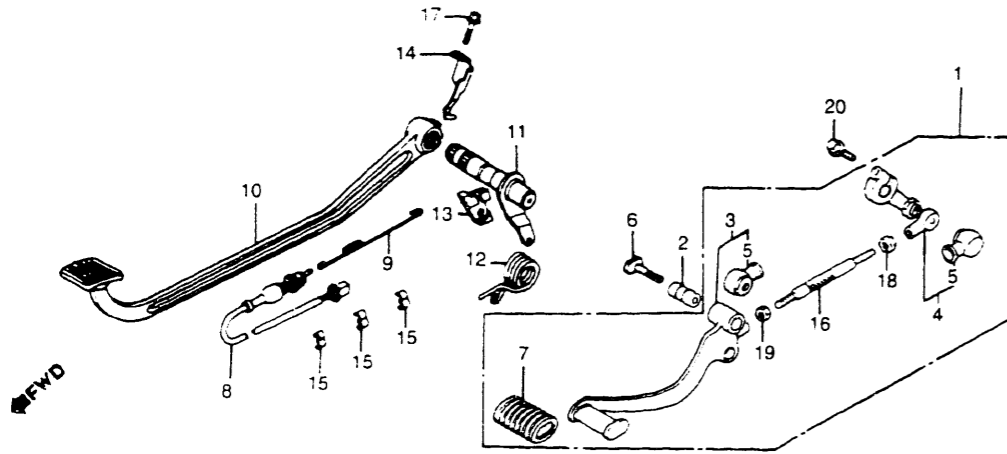
VF1100C'85 ENGINE NO.; SC12E-2200001 TO 2206580  
 VF1100C'85 FRAME NO.; SC121-FA200001 TO FA206845  
 VF1100C'86 ENGINE NO.; SC12E-2300020 TO 2304336  
 VF1100C'86 FRAME NO.; SC120-GM300101 TO GM304425

VF1100C'86 ENGINE NO.; SC12E-2300001 TO 2302532  
 VF1100C'86 FRAME NO.; SC121-GM301306 TO GM302625

# CONTENTS

TITLE	PAGE	GRID
AIR CLEANER	156	1-I4
BATTERY	152	1-I2
BRAKE CALIPER, FR.	114	1-G7
BRAKE CALIPER, RR.	124	1-G12
BRAKE CONTROL LEVER	88	1-F6
BRAKE MASTER CYL. FR.	88	1-F6
BRAKE MASTER CYL. RR.	121	1-G10
BRAKE PEDAL	164	1-I8
CABLES	85	1-F4
CANISTER 84-85	202	1-K3
CANISTER 86	204	1-K4
CLUTCH CONTROL LEVER	92	1-F8
CLUTCH MASTER CYLINDER	92	1-F8
DRIVE SHAFT	172	1-I12
FENDER, FR.	105	1-G2
FENDER, RR.	178	1-J3
FINAL DRIVEN GEAR	130	1-H3
FOOTPEGS	166	1-I9
FRAME	196	1-J12
FUEL PUMP	152	1-I2
FUEL TANK	136	1-H6
GEARSHIFT PEDAL	164	1-I8
HANDLEBAR	96	1-F10
HEADLIGHT	78	1-F1
HORN	100	1-F12
IGNITION COIL	188	1-J8
INSTRUMENTS	80	1-F2
MAIN STAND	169	1-I10
MUFFLER	160	1-I6
RADIATOR	191	1-J9
RECTIFIER	144	1-H10
SEAT	141	1-H8
SHOCK ABSORBER	175	1-J1
SHOCK ABSORBER, FR.	106	1-G3
SIDE COVER	144	1-H10
SIDE STAND	169	1-I10
SPARK UNIT	178	1-J3
STEERING STEM	100	1-F12
SWINGARM	172	1-I12
SWITCHES	85	1-F4
TAILLIGHT	185	1-J6
TOOLS	200	1-K2
TOP BRIDGE	96	1-F10
TURN SIGNAL	180	1-J4
WHEEL, FR.	118	1-G9
WHEEL, RR.	127	1-H1
WIRE HARNESS	188	1-J8

# BRAKE PEDAL • GEARSHIFT PEDAL



F14MB4D22

Ref. No.	BLOCK NO. DESCRIPTION	VF1100C				AREA CODE	FRAME SERIAL NUMBER		QTY REQ	PART NUMBER	HONDA CODE
		1	1	1	1		FROM	TO			
		3	4	5	6						
1	PEDAL ASSY., GEARSHIFT	3				A			1	24700-MB4-000	1387299
	PEDAL ASSY., GEARSHIFT	3				A			1	24700-MB4-010	1738194
			4	5	6				1	24700-MB4-010	1738194
	PEDAL ASSY., GEARSHIFT	3				A			1	24700-MB4-020	1716042
			4	5	6				1	24700-MB4-020	1716042
2	COLLAR, GEAR CHANGE PEDAL PIVOT	3				A			1	24705-MB0-000	1245869
			4	5	6				1	24705-MB0-000	1245869
	COLLAR, GEARSHIFT PEDAL PIVOT	3				A			1	24705-MT6-000	3038601
			4	5	6				1	24705-MT6-000	3038601
3	PEDAL COMP., GEARSHIFT	3				A			1	24720-MB1-700	1291293
	PEDAL COMP., GEARSHIFT		4	5	6				1	24720-MB4-000	1716059
4	ARM COMP., GEARSHIFT	3				A			1	24721-MB1-000	1245901
	ARM COMP., GEARSHIFT		4	5	6				1	24721-MB4-000	1716067
5	COVER, DUST	3				A			2	24724-422-000	0694869
			4	5	6				2	24724-422-000	0694869
6	BOLT, GEARSHIFT PEDAL PIVOT	3				A			1	24725-MB1-000	1245919
			4	5	6				1	24725-MB1-000	1245919

3 = VF1100C'83  
 4 = VF1100C'84  
 5 = VF1100C'85  
 6 = VF1100C'86

Ref. No.	BLOCK NO. DESCRIPTION	VF1100C				AREA CODE	FRAME SERIAL NUMBER		QTY REQ	PART NUMBER	HONDA CODE
		1	1	1	1		FROM	TO			
		3	4	5	6						
7	RUBBER, GEARSHIFT PEDAL	3				A			1	24781-371-000	0432153
			4	5	6				1	24781-371-000	0432153
8	SWITCH ASSY., RR. STOP	3				A			1	35350-MB4-000	1384767
	SWITCH ASSY., RR. STOP		4	5	6				1	35350-MB4-000	1384767
	SWITCH ASSY., RR. STOP	3				A			1	35350-MB4-405	3839248
			4	5	6				1	35350-MB4-405	3839248
9	SPRING, STOP SWITCH	3				A			1	35357-MB4-000	1385418
			4	5	6				1	35357-MB4-000	1385418
10	PEDAL COMP., RR. BRAKE	3				A			1	46500-MB4-000	1387984
			4	5	6				1	46500-MB4-000	1387984
11	ARM COMP., MIDDLE	3				A			1	46513-MB4-000	1387992
			4	5	6				1	46513-MB4-000	1387992
12	SPRING, RR. BRAKE	3				A			1	46514-MB4-000	1388008
			4	5	6				1	46514-MB4-000	1388008
13	COVER, MIDDLE ARM	3				A			1	46517-MB4-000	1425784
			4	5	6				1	46517-MB4-000	1425784
14	ARM, RR. STOP SWITCH	3				A			1	50313-MB4-000	1388065
			4	5	6				1	50313-MB4-000	1388065
15	CLAMP, SPEEDOMETER SENSOR WIRE	3				A			3	61108-MB0-000	1249986
			4	5	6				3	61108-MB0-000	1249986
16	BOLT, TIE ROD	3				A			1	90065-MB4-000	1388750
			4	5	6				1	90065-MB4-000	1388750
17	BOLT, SPECIAL FLANGE, 8X30	3				A			1	90179-422-000	0694828
			4						1	90179-422-000	0694828
				5					1	90179-422-000	0694828
	BOLT, SPECIAL FLANGE, 8X30			5					1	90106-MB3-000	1745181
					6				1	90106-MB3-000	1745181
18	NUT, GOVERNOR ARM FIXING	3				A			1	90201-700-000	0401398
			4	5	6				1	90201-700-000	0401398
19	NUT, HEX., 6MM	3				A			1	94002-06020-0S	1237387
			4	5	6				1	94002-06020-0S	1237387
20	BOLT, FLANGE, 6X22	3				A			1	95700-06022-00	0483925
			4	5	6				1	95700-06022-00	0483925
	BOLT, FLANGE, 6X22	3				A			1	95701-06022-00	2105823
			4	5	6				1	95701-06022-00	2105823

# CONTENTS

TITLE	PAGE	GRID
AIR CLEANER	156	1-I4
BATTERY	152	1-I2
BRAKE CALIPER, FR.	114	1-G7
BRAKE CALIPER, RR.	124	1-G12
BRAKE CONTROL LEVER	88	1-F6
BRAKE MASTER CYL. FR.	88	1-F6
BRAKE MASTER CYL. RR.	121	1-G10
BRAKE PEDAL	164	1-I8
CABLES	85	1-F4
CANISTER 84-85	202	1-K3
CANISTER 86	204	1-K4
CLUTCH CONTROL LEVER	92	1-F8
CLUTCH MASTER CYLINDER	92	1-F8
DRIVE SHAFT	172	1-I2
FENDER, FR.	10F	1-G2
FENDER, RR.	178	1-J3
FINAL DRIVEN GEAR	130	1-H3
FOOTPEGS	166	1-I9
FRAME	196	1-J12
FUEL PUMP	152	1-I2
FUEL TANK	136	1-H6
GEARSHIFT PEDAL	164	1-I8
HANDLEBAR	96	1-F10
HEADLIGHT	78	1-F1
HORN	100	1-F12
IGNITION COIL	188	1-J8
INSTRUMENTS	80	1-F2
MAIN STAND	169	1-I10
MUFFLER	160	1-I6
RADIATOR	191	1-J9
RECTIFIER	144	1-H10
SEAT	141	1-H8
SHOCK ABSORBER	175	1-J1
SHOCK ABSORBER, FR.	106	1-G3
SIDE COVER	144	1-H10
SIDE STAND	169	1-I10
SPARK UNIT	178	1-J3
STEERING STEM	100	1-F12
SWINGARM	172	1-I2
SWITCHES	85	1-F4
TAILLIGHT	185	1-J6
TOOLS	200	1-K2
TOP BRIDGE	96	1-F10
TURN SIGNAL	180	1-J4
WHEEL, FR.	118	1-G9
WHEEL, RR.	127	1-H1
WIRE HARNESS	188	1-J8

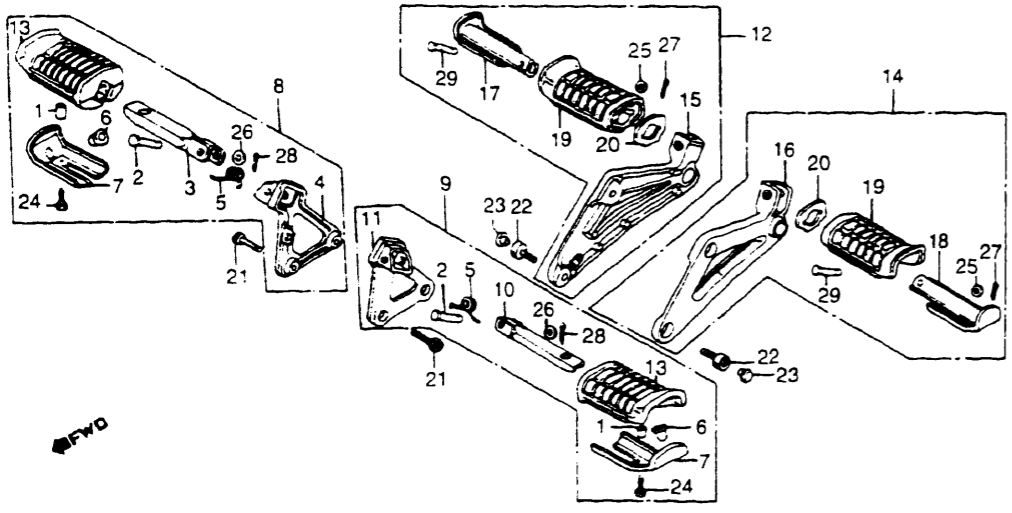
VF1100C'83 ENGINE NO.; SC12E-2000039 TO 2018597  
 VF1100C'83 FRAME NO.; SC120-DM000029 TO DM017677  
 VF1100C'84 ENGINE NO.; SC12E-2100001 TO 2116075  
 VF1100C'84 FRAME NO.; SC120-EA100001 TO EA117064

VF1100C'84 ENGINE NO.; SC12E-2102298 TO 2114635  
 VF1100C'84 FRAME NO.; SC121-EA100004 TO EA117067  
 VF1100C'85 ENGINE NO.; SC12E-2200001 TO 2208055  
 VF1100C'85 FRAME NO.; SC120-FA200006 TO FA208465

VF1100C'85 ENGINE NO.; SC12E-2200001 TO 2206580  
 VF1100C'85 FRAME NO.; SC121-FA200001 TO FA206845  
 VF1100C'86 ENGINE NO.; SC12E-2300020 TO 2304336  
 VF1100C'86 FRAME NO.; SC120-GM300101 TO GM304425

VF1100C'86 ENGINE NO.; SC12E-2300001 TO 2302532  
 VF1100C'86 FRAME NO.; SC121-GM301306 TO GM302625

# FOOTPEGS



F14MB4D23

Ref. No.	BLOCK NO. DESCRIPTION	VF1100C				AREA CODE	FRAME SERIAL NUMBER FROM TO	QTY REQ	PART NUMBER	HONDA CODE
		1	9	8	3					
	3 = VF1100C'83 4 = VF1100C'84 5 = VF1100C'85 6 = VF1100C'86	1	9	8	3					
1	COLLAR, CHAIN CASE	3	--	--	--	A	----	2	40515-413-000	0827626
		--	4	5	6			2	40515-413-000	0827626
2	PIN, STEP BAR JOINT	3	--	--	--	A	----	2	50603-033-000	0019349
		--	4	5	6			2	50603-033-000	0019349
3	BAR COMP., R. FOOTPEG	3	--	--	--	A	----	1	50612-MB1-000	1248855
		--	4	5	6			1	50612-MB1-000	1248855
4	BRACKET, R. FOOTPEG	3	--	--	--	A	----	1	50615-MB4-000	1388123
		--	4	5	6			1	50615-MB4-000	1388123
5	SPRING, STEP RETURN	3	--	--	--	A	----	2	50617-MB1-700	1291822
		--	4	5	6			2	50617-MB1-700	1291822
6	SLIDER, STEP	3	--	--	--	A	----	2	50618-MB1-000	1248939
		--	4	5	6			2	50618-MB1-000	1248939
7	STOPPER, STEP RUBBER	3	--	--	--	A	----	2	50619-MB1-000	1248954
		--	4	5	6			2	50619-MB1-000	1248954
8	FOOTPEG ASSY., R. MAIN	3	--	--	--	A	----	1	50630-MB4-000	1388131
		--	4	5	6			1	50630-MB4-000	1388131
9	FOOTPEG ASSY., L. MAIN	3	--	--	--	A	----	1	50640-MB4-000	1388149
		--	4	5	6			1	50640-MB4-000	1388149

VF1100C'83 ENGINE NO.; SC12E-2000039 TO 2018597  
 VF1100C'83 FRAME NO.; SC120-DM000029 TO DM017677  
 VF1100C'84 ENGINE NO.; SC12E-2100001 TO 2116075  
 VF1100C'84 FRAME NO.; SC120-EA100001 TO EA117064

VF1100C'84 ENGINE NO.; SC12E-2102298 TO 2114635  
 VF1100C'84 FRAME NO.; SC121-EA100004 TO EA117067  
 VF1100C'85 ENGINE NO.; SC12E-2200001 TO 2208055  
 VF1100C'85 FRAME NO.; SC120-FA200006 TO FA208465

Ref. No.	BLOCK NO. DESCRIPTION	VF1100C				AREA CODE	FRAME SERIAL NUMBER FROM TO	QTY REQ	PART NUMBER	HONDA CODE
		1	9	8	3					
	3 = VF1100C'83 4 = VF1100C'84 5 = VF1100C'85 6 = VF1100C'86	1	9	8	3					
10	BAR COMP., L. FOOTPEG	3	--	--	--	A	----	1	50642-MB1-000	1249010
		--	4	5	6			1	50642-MB1-000	1249010
11	BRACKET, L. FOOTPEG	3	--	--	--	A	----	1	50645-MB4-000	1388156
		--	4	5	6			1	50645-MB4-000	1388156
12	FOOTPEG ASSY., R. PILLION	3	--	--	--	A	----	1	50660-MB4-000	1388164
		--	4	5	6			1	50660-MB4-000	1388164
13	RUBBER, MAIN STEP	3	--	--	--	A	----	2	50661-MB1-000	1249044
		--	4	5	6			2	50661-MB1-000	1249044
14	FOOTPEG ASSY., L. PILLION	3	--	--	--	A	----	1	50670-MB4-000	1388172
		--	4	5	6			1	50670-MB4-000	1388172
15	HOLDER, R. PILLION FOOTPEG	3	--	--	--	A	----	1	50680-MB4-000	1388180
		--	4	5	6			1	50680-MB4-000	1388180
16	HOLDER, L. PILLION FOOTPEG	3	--	--	--	A	----	1	50690-MB4-000	1388198
		--	4	5	6			1	50690-MB4-000	1388198
17	BAR, R. PILLION STEP	3	--	--	--	A	----	1	50711-MB1-000	1249127
		--	4	5	6			1	50711-MB1-000	1249127
18	BAR, L. PILLION FOOTPEG	3	--	--	--	A	----	1	50712-MB1-000	1249143
		--	4	5	6			1	50712-MB1-000	1249143
19	RUBBER, PILLION STEP	3	--	--	--	A	----	2	50713-MB1-000	1249150
		--	4	5	6			2	50713-MB1-000	1249150
20	WASHER, PILLION STEP	3	--	--	--	A	----	2	50714-MB1-000	1249176
		--	4	5	6			2	50714-MB1-000	1249176
21	BOLT, SOCKET, 8X17	3	--	--	--	A	----	4	90153-MB0-000	1251123
		--	4	5	6			4	90153-MB0-000	1251123
	BOLT, SOCKET, 8X17	3	--	--	--	A	----	4	90153-MB0-405	4222808
		--	4	5	6			4	90153-MB0-405	4222808
22	BOLT, SOCKET	3	--	--	--	A	----	4	90109-MB0-000	1250950
		--	4	5	6			4	90109-MB0-000	1250950
		--	--	5	--		FA205944	4	90109-MB0-000	1250950
	BOLT, SOCKET, 8X18	3	--	--	--	A	----	4	90157-MB1-000	1251164
		--	4	--	--			4	90157-MB1-000	1251164
		--	--	5	--		FA205944	4	90157-MB1-000	1251164
23	CAP, SOCKET BOLT, 10MM	--	--	5	6			4	91456-MJ0-000	1745462
24	BOLT, HEX., 6X16	3	--	--	--	A	----	2	92000-06016-0A	0313197
		--	4	5	6			2	92000-06016-0A	0313197
	BOLT, HEX., 6X16	3	--	--	--	A	----	2	92100-06016-0A	1685726
		--	4	5	6			2	92100-06016-0A	1685726
	BOLT, HEX., 6X16	3	--	--	--	A	----	2	92101-06016-0A	2479590
		--	4	5	6			2	92101-06016-0A	2479590

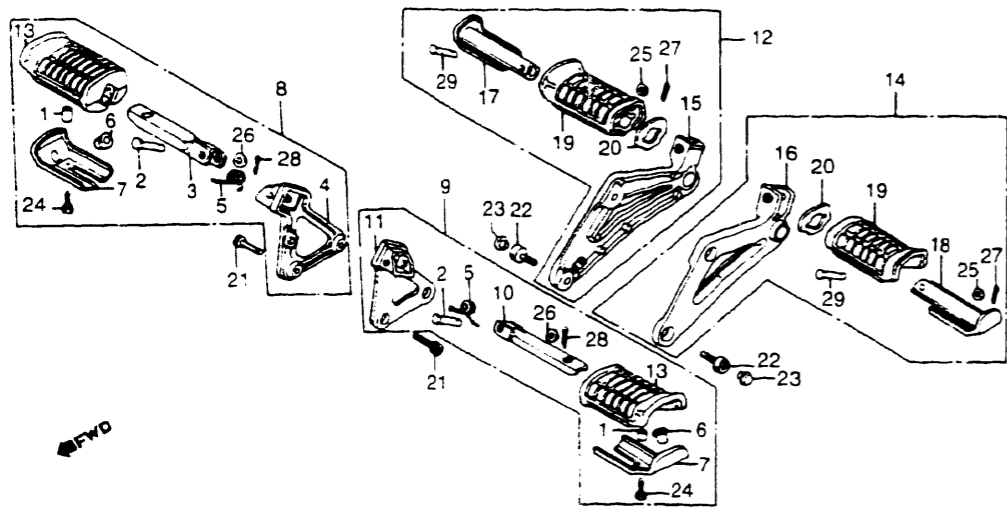
VF1100C'85 ENGINE NO.; SC12E-2200001 TO 2206580  
 VF1100C'85 FRAME NO.; SC121-FA200001 TO FA206845  
 VF1100C'86 ENGINE NO.; SC12E-2300020 TO 2304336  
 VF1100C'86 FRAME NO.; SC120-GM300101 TO GM304425

VF1100C'86 ENGINE NO.; SC12E-2300001 TO 2302532  
 VF1100C'86 FRAME NO.; SC121-GM301306 TO GM302625

# CONTENTS

TITLE	PAGE	GRID
AIR CLEANER	156	1-14
BATTERY	152	1-12
BRAKE CALIPER, FR.	114	1-G7
BRAKE CALIPER, RR.	124	1-G12
BRAKE CONTROL LEVER	88	1-F6
BRAKE MASTER CYL. FR.	88	1-F6
BRAKE MASTER CYL. RR.	121	1-G10
BRAKE PEDAL	164	1-H
CABLES	85	1-F4
CANISTER 84-85	202	1-K3
CANISTER 86	204	1-K4
CLUTCH CONTROL LEVER	92	1-F8
CLUTCH MASTER CYLINDER	92	1-F8
DRIVE SHAFT	172	1-I12
FENDER, FR.	105	1-G2
FENDER, RR.	178	1-J3
FINAL DRIVEN GEAR	130	1-H3
FOOTPEGS	166	1-H9
FRAME	196	1-J12
FUEL PUMP	152	1-I2
FUEL TANK	136	1-H6
GEARSHIFT PEDAL	164	1-H
HANDLEBAR	96	1-F10
HEADLIGHT	78	1-F1
HORN	100	1-F12
IGNITION COIL	188	1-J8
INSTRUMENTS	80	1-F2
MAIN STAND	169	1-I10
MUFFLER	160	1-I6
RADIATOR	191	1-J9
RECTIFIER	144	1-H10
SEAT	141	1-H8
SHOCK ABSORBER	175	1-J1
SHOCK ABSORBER, FR.	106	1-G3
SIDE COVER	144	1-H10
SIDE STAND	169	1-I10
SPARK UNIT	178	1-J3
STEERING STEM	100	1-F12
SWINGARM	172	1-I12
SWITCHES	85	1-F4
TAILLIGHT	185	1-J6
TOOLS	200	1-K2
TOP BRIDGE	96	1-F10
TURN SIGNAL	180	1-J4
WHEEL, FR.	118	1-G9
WHEEL, RR.	127	1-H1
WIRE HARNESS	188	1-J8

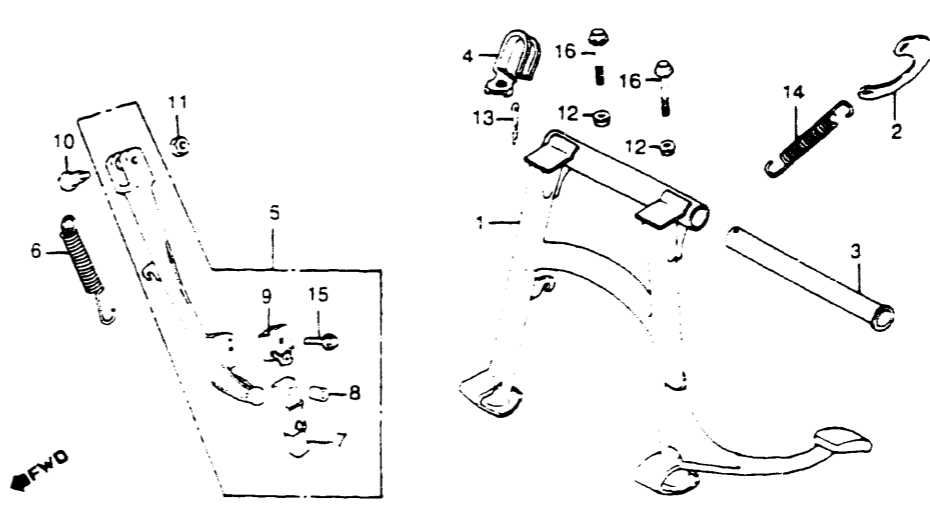
# FOOTPEGS



F14MB4D23

Ref. No.	BLOCK NO. DESCRIPTION	VF1100C				AREA CODE	FRAME SERIAL NUMBER		QTY REQ	PART NUMBER	HONDA CODE
		1	2	3	4		FROM	TO			
	3 = VF1100C'83 4 = VF1100C'84 5 = VF1100C'85 6 = VF1100C'86	1	1	1	1						
		9	9	9	9						
		8	8	8	8						
		3	4	5	6						
25	WASHER, PLAIN, 6MM	3				A			2	94101-06000 0059071	
			4	5	6				2	94101-06000 0059071	
	WASHER, PLAIN, 6MM	3				A			2	94101-06080 3136074	
			4	5	6				2	94101-06080 3136074	
	WASHER, PLAIN, 6MM	3				A			2	94101-06800 0345900	
			4	5	6				2	94101-06800 0345900	
26	WASHER, PLAIN, 8MM	3				A			2	94101-08000 0059097	
			4	5	6				2	94101-08000 0059097	
27	PIN, COTTER 1.6X10	3				A			2	94201-16100 0262089	
			4	5	6				2	94201-16100 0262089	
28	PIN, COTTER 1.6X15	3				A			2	94201-16150 0058313	
			4	5	6				2	94201-16150 0058313	
	PIN, COTTER 1.6X25	3				A			2	94201-16250 0058339	
			4	5	6				2	94201-16250 0058339	
29	PIN C, PILLION STEP	3				A			2	95015-83000 0274118	
			4	5	6				2	95015-83000 0274118	

# MAIN STAND • SIDE STAND



F14MB4D24

Ref. No.	BLOCK NO. DESCRIPTION	VF1100C				AREA CODE	FRAME SERIAL NUMBER		QTY REQ	PART NUMBER	HONDA CODE
		1	2	3	4		FROM	TO			
	3 = VF1100C'83 4 = VF1100C'84 5 = VF1100C'85 6 = VF1100C'86	1	1	1	1						
		9	9	9	9						
		8	8	8	8						
		3	4	5	6						
1	STAND COMP., MAIN	3				A			1	50500-MB4-000 1388115	
			4	5	6				1	50500-MB4-000 1388115	
2	PLATE, MAIN STAND SPRING	3				A			1	50523-425-000 0718668	
			4	5	6				1	50523-425-000 0718668	
3	PIPE, MAIN STAND PIVOT	3				A			1	50526-MB0-000 1248780	
			4	5	6				1	50526-MB0-000 1248780	
4	GUIDE, OVERFLOW TUBE	3				A		DM008408	1	50528-MB1-000 1260652	
	GUIDE, OVERFLOW TUBE	3				A		DM008409	1	50528-MB4-000 1425792	
			4	5	6				1	50528-MB4-000 1425792	
5	BAR ASSY., SIDE STAND	3				A			1	50540-MB1-000 1248814	
			4	5					1	50540-MB1-000 1248814	
	BAR ASSY., SIDE STAND				6				1	50540-MB4-830 2248037	
6	SPRING, SIDE STAND	3				A			1	50541-MB0-000 1248822	
			4	5	6				1	50541-MB0-000 1248822	
7	RUBBER, STAND	3				A			1	50548-356-700 0382648	
			4	5	6				1	50548-356-700 0382648	
8	COLLAR, STAND RUBBER SETTING	3				A			1	50549-356-700 0382655	
			4	5	6				1	50549-356-700 0382655	

# CONTENTS

TITLE	PAGE	GRID
AIR CLEANER	156	1-14
BATTERY	152	1-12
BRAKE CALIPER FR	114	1-G7
BRAKE CALIPER RR	124	1-G12
BRAKE CONTROL LEVER	88	1-F6
BRAKE MASTER CYL. FR	88	1-F6
BRAKE MASTER CYL. RR	121	1-G10
BRAKE PEDAL	164	1-I8
CABLES	85	1-F4
CANISTER 84-85	202	1-K3
CANISTER 86	204	1-K4
CLUTCH CONTROL LEVER	92	1-F8
CLUTCH MASTER CYLINDER	92	1-F8
DRIVE SHAFT	172	1-I12
FENDER FR	105	1-G2
FENDER RR	178	1-J3
FINAL DRIVEN GEAR	130	1-H3
FOOTPEGS	166	1-I9
FRAME	196	1-J12
FUEL PUMP	152	1-I2
FUEL TANK	136	1-H6
GEARSHIFT PEDAL	164	1-I8
HANDLEBAR	96	1-F10
HEADLIGHT	78	1-F1
HORN	100	1-F12
IGNITION COIL	188	1-J8
INSTRUMENTS	80	1-F2
MAIN STAND	169	1-I10
MUFFLER	160	1-I6
RADIATOR	191	1-J9
RECTIFIER	144	1-H10
SEAT	141	1-H8
SHOCK ABSORBER	175	1-J1
SHOCK ABSORBER FR	106	1-G3
SIDE COVER	144	1-H10
SIDE STAND	169	1-I10
SPARK UNIT	178	1-J3
STEERING STEM	100	1-F12
SWINGARM	172	1-I12
SWITCHES	85	1-F4
TAILLIGHT	185	1-J6
TOOLS	200	1-K2
TOP BRIDGE	96	1-F10
TURN SIGNAL	180	1-J4
WHEEL FR	118	1-G9
WHEEL RR	127	1-H1
WIRE HARNESS	188	1-J8

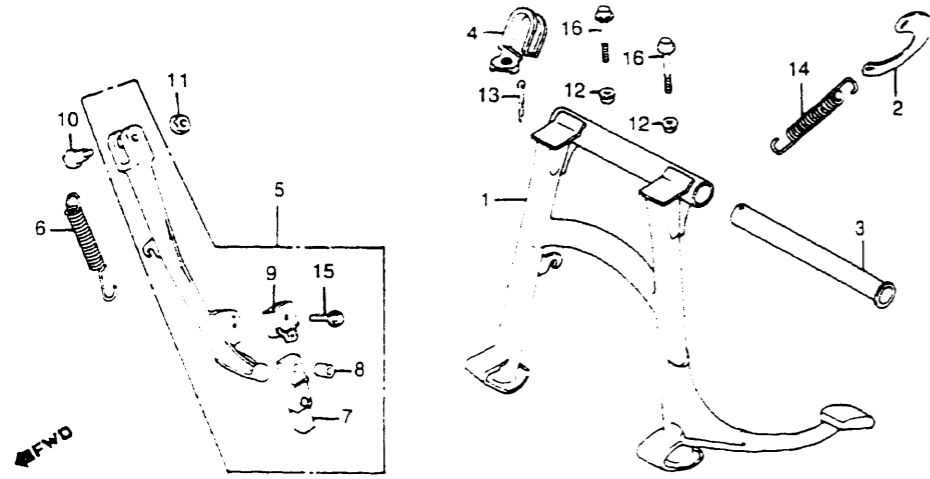
VF1100C'83 ENGINE NO.; SC12E-2000039 TO 2018597  
 VF1100C'83 FRAME NO.; SC120-DM000029 TO DM017677  
 VF1100C'84 ENGINE NO.; SC12E-2100001 TO 2116075  
 VF1100C'84 FRAME NO.; SC120-EA100001 TO EA117064

VF1100C'84 ENGINE NO.; SC12E-2102298 TO 2114635  
 VF1100C'84 FRAME NO.; SC121-EA100004 TO EA117067  
 VF1100C'85 ENGINE NO.; SC12E-2200001 TO 2208055  
 VF1100C'85 FRAME NO.; SC120-FA200006 TO FA208465

VF1100C'85 ENGINE NO.; SC12E-2200001 TO 2206580  
 VF1100C'85 FRAME NO.; SC121-FA200001 TO FA206845  
 VF1100C'86 ENGINE NO.; SC12E-2300020 TO 2304336  
 VF1100C'86 FRAME NO.; SC120-GM300101 TO GM304425

VF1100C'86 ENGINE NO.; SC12E-2300001 TO 2302532  
 VF1100C'86 FRAME NO.; SC121-GM301306 TO GM302625

# MAIN STAND • SIDE STAND



F14MB4D24

Ref No.	BLOCK NO.	F-24	VF1100C				AREA	FRAME SERIAL NUMBER		QTY REQ	PART NUMBER	HONDA CODE
			1	1	1	1		FROM	TO			
3 = VF1100C'83			1	1	1	1						
4 = VF1100C'84			9	9	9	9						
5 = VF1100C'85			8	8	8	8						
6 = VF1100C'86			3	4	5	6						
9 BRACKET, SIDE STAND RUBBER			3	---	---	---	A	---	---	1	50574-MB0-000	1248830
BRACKET, SIDE STAND RUBBER			---	4	5	---		---	---	1	50574-MB0-000	1248830
			---	---	---	6		---	---	1	50574-MB4-830	2248045
10 BOLT, SIDE STAND PIVOT			3	---	---	---	A	---	---	1	90108-MB0-000	1250943
			---	4	---	---		---	---	1	90108-MB0-000	1250943
			---	---	5	---		FA208193	---	1	90108-MB0-000	1250943
BOLT, FLANGE, 6X25			---	---	5	---		FA208194	---	1	90108-MJ1-000	1735323
			---	---	---	6		---	---	1	90108-MJ1-000	1735323
11 NUT, HEX., 10MM			3	---	---	---	A	---	---	1	94031-10070	1251826
			---	4	5	6		---	---	1	94031-10070	1251826
12 NUT, FLANGE, 8MM			3	---	---	---	A	---	---	2	94050-08000	0481143
			---	4	5	6		---	---	2	94050-08000	0481143
13 PIN, COTTER 2.5MM			3	---	---	---	A	---	---	1	94201-25250	0145581
			---	4	5	6		---	---	1	94201-25250	0145581
PIN, COTTER 2.5MM			3	---	---	---	A	---	---	1	94201-25300	0156091
			---	4	5	6		---	---	1	94201-25300	0156091
14 SPRING G, MAIN STAND			3	---	---	---	A	---	---	1	95014-71702	0414250
			---	4	5	6		---	---	1	95014-71702	0414250
15 BOLT, FLANGE, 6X25			3	---	---	---	A	---	---	1	95600-06025-07	1402056

\*70 AMERICAN HONDA MOTOR CO. INC. 1994

1-111

VF1100C'83 ENGINE NO.; SC12E-2000039 TO 2018597  
 VF1100C'83 FRAME NO.; SC120-DM000029 TO DM017677  
 VF1100C'84 ENGINE NO.; SC12E-2100001 TO 2116075  
 VF1100C'84 FRAME NO.; SC120-EA100001 TO EA117064

VF1100C'84 ENGINE NO.; SC12E-2102298 TO 2114635  
 VF1100C'84 FRAME NO.; SC121-EA100004 TO EA117067  
 VF1100C'85 ENGINE NO.; SC12E-2200001 TO 2208055  
 VF1100C'85 FRAME NO.; SC120-FA200006 TO FA208465

Ref. No.	BLOCK NO.	F-24	VF1100C				AREA	FRAME SERIAL NUMBER		QTY REQ	PART NUMBER	HONDA CODE
			1	1	1	1		FROM	TO			
3 = VF1100C'83			1	1	1	1						
4 = VF1100C'84			9	9	9	9						
5 = VF1100C'85			8	8	8	8						
6 = VF1100C'86			3	4	5	6						
15 BOLT, FLANGE, 6X25			3	---	---	---	A	---	---	1	95700-06025-07	0721076
BOLT, FLANGE, 6X25			3	---	---	---	A	---	---	1	95701-06025-07	2449122
BOLT, SIDE STAND RUBBER SET			---	4	---	---		---	---	1	90115-MB0-000	1794056
			---	---	5	---	A	FA208193	---	1	90115-MB0-000	1794056
			---	---	---	5	AC	---	---	1	90115-MB0-000	1794056
BOLT, FLANGE, 6X25			---	---	5	---	A	FA208194	---	1	90108-MB4-830	2248268
			---	---	---	6		---	---	1	90108-MB4-830	2248268
16 BOLT, FLANGE, 8X40			3	---	---	---	A	---	---	2	95700-08040-00	0671222
			---	4	---	---		---	---	2	95700-08040-00	0671222
BOLT, FLANGE, 8X40			3	---	---	---	A	---	---	2	95701-08040-00	2298404
			---	4	---	---		---	---	2	95701-08040-00	2298404
BOLT, FLANGE, 8X40			---	---	5	6		---	---	2	95700-08040-08	0341396
BOLT, FLANGE, 8X40			---	---	5	6		---	---	2	95701-08040-08	2374775

AMERICAN HONDA MOTOR CO. INC. 1994 171

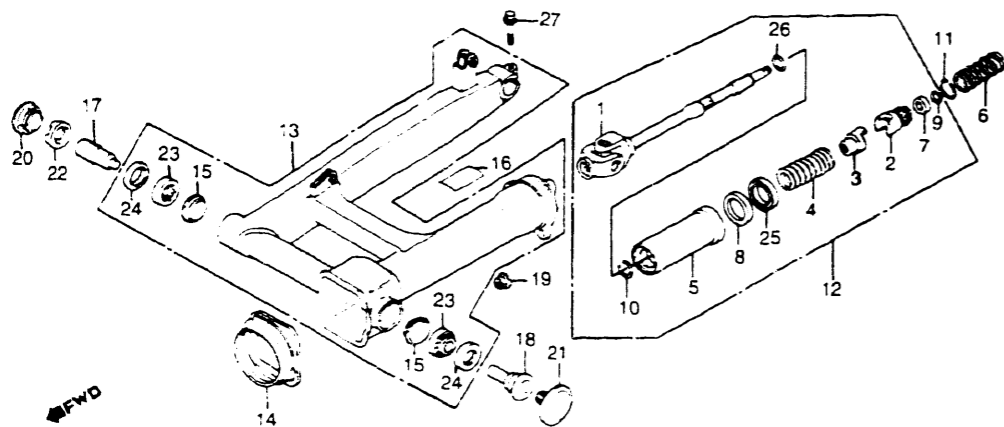
VF1100C'85 ENGINE NO.; SC12E-2200001 TO 2206580  
 VF1100C'85 FRAME NO.; SC121-FA200001 TO FA206845  
 VF1100C'86 ENGINE NO.; SC12E-2300020 TO 2304336  
 VF1100C'86 FRAME NO.; SC120-GM300101 TO GM304425

VF1100C'86 ENGINE NO.; SC12E-2300001 TO 2302532  
 VF1100C'86 FRAME NO.; SC121-GM301306 TO GM302625

# CONTENTS

TITLE	PAGE	GRID
AIR CLEANER	156	1-14
BATTERY	152	1-12
BRAKE CALIPER, FR.	114	1-G7
BRAKE CALIPER, RR.	124	1-G12
BRAKE CONTROL LEVER	88	1-F6
BRAKE MASTER CYL. FR.	88	1-F6
BRAKE MASTER CYL. RR.	121	1-G10
BRAKE PEDAL	164	1-18
CABLES	85	1-F4
CANISTER 84-85	202	1-K3
CANISTER 86	204	1-K4
CLUTCH CONTROL LEVER	92	1-F8
CLUTCH MASTER CYLINDER	92	1-F8
DRIVE SHAFT	172	1-112
FENDER, FR.	105	1-G2
FENDER, RR.	178	1-J3
FINAL DRIVEN GEAR	130	1-H3
FOOTPEGS	166	1-19
FRAME	196	1-J12
FUEL PUMP	152	1-12
FUEL TANK	136	1-H6
GEARSHIFT PEDAL	164	1-18
HANDLEBAR	96	1-F10
HEADLIGHT	78	1-F1
HORN	100	1-F12
IGNITION COIL	188	1-J8
INSTRUMENTS	80	1-F2
MAIN STAND	169	1-110
MUFFLER	160	1-16
RADIATOR	191	1-J9
RECTIFIER	144	1-H10
SEAT	141	1-H8
SHOCK ABSORBER	175	1-J1
SHOCK ABSORBER, FR.	106	1-G3
SIDE COVER	144	1-H10
SIDE STAND	169	1-110
SPARK UNIT	178	1-J3
STEERING STEM	100	1-F12
SWINGARM	172	1-112
SWITCHES	85	1-F4
TAILLIGHT	185	1-J6
TOOLS	200	1-K2
TOP BRIDGE	96	1-F10
TURN SIGNAL	180	1-J4
WHEEL, FR.	118	1-G9
WHEEL, RR.	127	1-H1
WIRE HARNESS	188	1-J8

# SWINGARM • DRIVE SHAFT



\*CAUTION OR WARNING LABELS MUST BE ORDERED SEPARATELY WHEN APPLICABLE\*

F14MB4D25

Ref. No.	BLOCK NO. F-25 DESCRIPTION	VF1100C				AREA C O D E	FRAME SERIAL NUMBER		QTY REQ	PART NUMBER	HONDA CODE
		1	1	1	1		FROM	TO			
	3 = VF1100C'83 4 = VF1100C'84 5 = VF1100C'85 6 = VF1100C'86	1	1	1	1						
		9	9	9	9						
		8	8	8	8						
		3	4	5	6						
1	JOINT COMP., YOKE	3	---	---	---	A	---	---	1	40200-MB4-013 1703123	
			4	---	---		---	---	1	40200-MB4-013 1703123	
			---	5	---		FA201847	---	1	40200-MB4-013 1703123	
	JOINT COMP., YOKE	3	---	---	---	A	---	---	1	40200-MB4-023 1810027	
			4	---	---		---	---	1	40200-MB4-023 1810027	
			---	5	---		FA201847	---	1	40200-MB4-023 1810027	
	JOINT COMP., YOKE	3	---	---	---	A	---	---	1	40200-MB4-033 1811330	
			4	5	6		---	---	1	40200-MB4-033 1811330	
			---	5	---		FA201847	---	1	40200-MB4-033 1811330	
2	CAM, DAMPER	3	---	---	---	A	---	---	1	40211-MB0-000 1247378	
			4	5	6		---	---	1	40211-MB0-000 1247378	
3	LIFTER, DAMPER	3	---	---	---	A	---	---	1	40212-MB0-000 1247386	
			4	5	6		---	---	1	40212-MB0-000 1247386	
4	SPRING, DAMPER CAM	3	---	---	---	A	---	---	1	40213-MB0-010 1316686	
			4	5	6		---	---	1	40213-MB0-010 1316686	
5	COVER, DAMPER	3	---	---	---	A	---	---	1	40214-MB0-010 1316694	
			4	5	6		---	---	1	40214-MB0-010 1316694	
6	SPRING, PROPELLER SHAFT	3	---	---	---	A	---	---	1	40215-MB0-003 1247410	
			4	5	6		---	---	1	40215-MB0-003 1247410	

Ref. No.	BLOCK NO. F-25 DESCRIPTION	VF1100C				AREA C O D E	FRAME SERIAL NUMBER		QTY REQ	PART NUMBER	HONDA CODE
		1	1	1	1		FROM	TO			
	3 = VF1100C'83 4 = VF1100C'84 5 = VF1100C'85 6 = VF1100C'86	1	1	1	1						
		9	9	9	9						
		8	8	8	8						
		3	4	5	6						
7	STOPPER, SPRING	3	---	---	---	A	---	---	1	40216-MB0-000 1247428	
			4	5	6		---	---	1	40216-MB0-000 1247428	
8	GUIDE, OIL SEAL	3	---	---	---	A	---	---	1	40217-MB0-010 1316702	
			4	5	6		---	---	1	40217-MB0-010 1316702	
9	RING, SPRING STOPPER	3	---	---	---	A	---	---	1	40218-MB0-000 1247444	
			4	5	6		---	---	1	40218-MB0-000 1247444	
10	RING, DAMPER COVER	3	---	---	---	A	---	---	1	40219-MB0-000 1316710	
			4	5	6		---	---	1	40219-MB0-000 1316710	
11	RING, STOPPER	3	---	---	---	A	---	---	1	40221-MB0-000 1247451	
			4	5	6		---	---	1	40221-MB0-000 1247451	
12	SHAFT ASSY., DRIVE	3	---	---	---	A	---	---	1	40250-MB4-010 1703131	
			4	---	---		---	---	1	40250-MB4-010 1703131	
	SHAFT ASSY., DRIVE	3	---	---	---	A	---	---	1	40250-MB4-020 1810035	
			4	---	---		---	---	1	40250-MB4-020 1810035	
			---	5	---		FA201847	---	1	40250-MB4-020 1810035	
	SHAFT ASSY., DRIVE	3	---	---	---	A	---	---	1	40250-MB4-030 1811348	
			4	5	6		---	---	1	40250-MB4-030 1811348	
			---	5	---		FA201847	---	1	40250-MB4-030 1811348	
13	SWINGARM ASSY., RR.	3	---	---	---	A	---	---	1	52100-MB4-000 1388271	
			4	5	6		---	---	1	52100-MB4-000 1388271	
14	BOOT, JOINT	3	---	---	---	A	---	---	1	52105-MB0-000 1249515	
			4	5	6		---	---	1	52105-MB0-000 1249515	
15	HOLDER, RR. SWINGARM GREASE	3	---	---	---	A	---	---	2	52112-MA1-300 1055201	
			4	5	6		---	---	2	52112-MA1-300 1055201	
16	LABEL, TIRE CAUTION	3	---	---	---	A	---	---	1	87505-MB4-671 1538966	
			4	5	6		---	---	1	87505-MB4-671 1538966	
17	BOLT, R. RR. SWINGARM PIVOT	3	---	---	---	A	---	---	1	90121-MB0-000 1250992	
			4	5	6		---	---	1	90121-MB0-000 1250992	
18	BOLT, L. RR. SWINGARM PIVOT	3	---	---	---	A	---	---	1	90122-MB0-000 1251008	
			4	5	6		---	---	1	90122-MB0-000 1251008	
19	NUT, HEX., 10MM	3	---	---	---	A	---	---	3	90308-357-000 0322156	
			4	5	6		---	---	3	90308-357-000 0322156	
20	CAP, R. LOCK NUT	3	---	---	---	A	---	---	1	90312-MB0-700 1310580	
			4	5	6		---	---	1	90312-MB0-700 1310580	
21	CAP, L. LOCK NUT	3	---	---	---	A	---	---	1	90313-MB0-000 1251305	
			4	5	6		---	---	1	90313-MB0-000 1251305	
22	NUT, RR. SWINGARM PIVOT	3	---	---	---	A	---	---	1	90355-469-000 0875401	
			4	5	6		---	---	1	90355-469-000 0875401	
23	BEARING, 30203J	3	---	---	---	A	---	---	2	91066-MC7-004 1218528	
			4	5	6		---	---	2	91066-MC7-004 1218528	

# CONTENTS

TITLE	PAGE	GRID
AIR CLEANER	156	1-14
BATTERY	152	1-12
BRAKE CALIPER, FR.	114	1-G7
BRAKE CALIPER, RR.	124	1-G12
BRAKE CONTROL LEVER	88	1-F6
BRAKE MASTER CYL. FR.	88	1-F6
BRAKE MASTER CYL. RR.	121	1-G10
BRAKE PEDAL	164	1-B
CABLES	85	1-F4
CANISTER 84-85	202	1-K3
CANISTER 86	204	1-K4
CLUTCH CONTROL LEVER	92	1-F8
CLUTCH MASTER CYLINDER	92	1-F8
DRIVE SHAFT	172	1-H2
FENDER, FR.	105	1-G2
FENDER, RR.	178	1-J3
FINAL DRIVEN GEAR	130	1-H3
FOOTPEGS	166	1-B9
FRAME	196	1-J12
FUEL PUMP	152	1-12
FUEL TANK	136	1-H6
GEARSHIFT PEDAL	164	1-B
HANDLEBAR	96	1-F10
HEADLIGHT	78	1-F1
HORN	100	1-F12
IGNITION COIL	188	1-J8
INSTRUMENTS	80	1-F2
MAIN STAND	169	1-I10
MUFFLER	160	1-H6
RADIATOR	191	1-J9
RECTIFIER	144	1-H10
SEAT	141	1-H8
SHOCK ABSORBER	175	1-J1
SHOCK ABSORBER, FR.	106	1-G3
SIDE COVER	144	1-H10
SIDE STAND	169	1-I10
SPARK UNIT	178	1-J3
STEERING STEM	100	1-F12
SWINGARM	172	1-H2
SWITCHES	85	1-F4
TAILLIGHT	185	1-J6
TOOLS	200	1-K2
TOP BRIDGE	96	1-F10
TURN SIGNAL	180	1-J4
WHEEL, FR.	118	1-G9
WHEEL, RR.	127	1-H1
WIRE HARNESS	188	1-J8

VF1100C'83 ENGINE NO.; SC12E-2000039 TO 2018597  
 VF1100C'83 FRAME NO.; SC120-DM000029 TO DM017677  
 VF1100C'84 ENGINE NO.; SC12E-2100001 TO 2116075  
 VF1100C'84 FRAME NO.; SC120-EA100001 TO EA117064

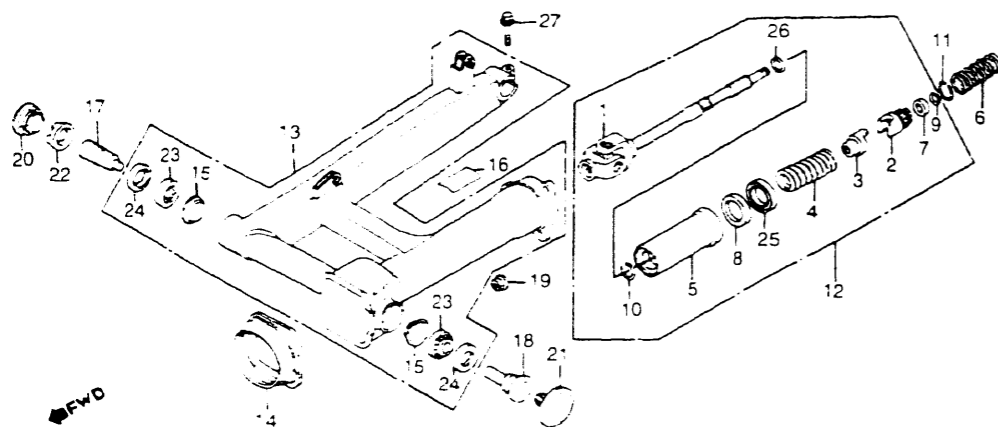
VF1100C'84 ENGINE NO.; SC12E-2102298 TO 2114635  
 VF1100C'84 FRAME NO.; SC121-EA100004 TO EA117067  
 VF1100C'85 ENGINE NO.; SC12E-2200001 TO 2208055  
 VF1100C'85 FRAME NO.; SC120-FA200006 TO FA208465

VF1100C'85 ENGINE NO.; SC12E-2200001 TO 2206580  
 VF1100C'85 FRAME NO.; SC121-FA200001 TO FA206845  
 VF1100C'86 ENGINE NO.; SC12E-2300020 TO 2304336  
 VF1100C'86 FRAME NO.; SC120-GM300101 TO GM304425

VF1100C'86 ENGINE NO.; SC12E-2300001 TO 2302532  
 VF1100C'86 FRAME NO.; SC121-GM301306 TO GM302625



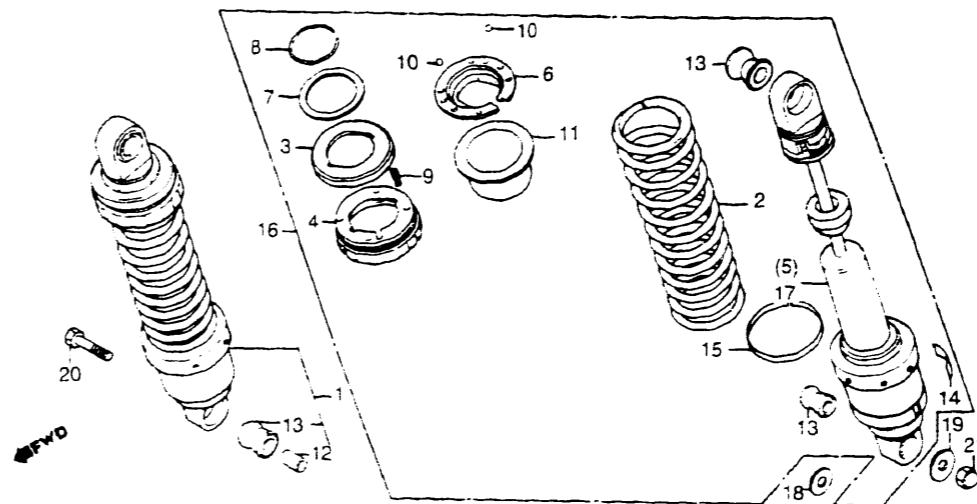
# SWINGARM • DRIVE SHAFT



\*CAUTION OR WARNING LABELS MUST BE ORDERED SEPARATELY WHEN APPLICABLE\*

F14MB4D25

# SHOCK ABSORBER



F14MB4D26

# CONTENTS

TITLE	PAGE	GRID
AIR CLEANER	156	1-I4
BATTERY	152	1-I2
BRAKE CALIPER, FR.	114	1-G7
BRAKE CALIPER, RR.	124	1-G12
BRAKE CONTROL LEVER	88	1-F6
BRAKE MASTER CYL. FR.	88	1-F6
BRAKE MASTER CYL. RR.	121	1-G10
BRAKE PEDAL	164	1-I8
CABLES	85	1-F4
CANISTER 84-85	202	1-K3
CANISTER 86	204	1-K4
CLUTCH CONTROL LEVER	92	1-F8
CLUTCH MASTER CYLINDER	92	1-F8
DRIVE SHAFT	172	1-I12
FENDER, FR.	105	1-G2
FENDER, RR.	178	1-J3
FINAL DRIVEN GEAR	130	1-H3
FOOTPEGS	166	1-I9
FRAME	196	1-J12
FUEL PUMP	152	1-I2
FUEL TANK	136	1-H6
GEARSHIFT PEDAL	164	1-I8
HANDLEBAR	96	1-F10
HEADLIGHT	78	1-F1
HORN	100	1-F12
IGNITION COIL	188	1-J8
INSTRUMENTS	80	1-F2
MAIN STAND	169	1-I10
MUFFLER	160	1-I6
RADIATOR	191	1-J9
RECTIFIER	144	1-H10
SEAT	141	1-H8
SHOCK ABSORBER	175	1-J1
SHOCK ABSORBER, FR.	106	1-G3
SIDE COVER	144	1-H10
SIDE STAND	169	1-I10
SPARK UNIT	178	1-J3
STEERING STEM	100	1-F12
SWINGARM	172	1-I12
SWITCHES	85	1-F4
TAILLIGHT	185	1-J6
TOOLS	200	1-K2
TOP BRIDGE	96	1-F10
TURN SIGNAL	180	1-J4
WHEEL, FR.	118	1-G9
WHEEL, RR.	127	1-H1
WIRE HARNESS	188	1-J8

Ref. No.	BLOCK NO	F-25	VF1100C				AREA	FRAME SERIAL NUMBER		QTY	PART NUMBER	HONDA CODE
			1	2	3	4		FROM	TO			
3 = VF1100C'83			1	1	1	1						
4 = VF1100C'84			9	9	9	9						
5 = VF1100C'85			8	8	8	8						
6 = VF1100C'86			3	4	5	6						
24 DUST SEAL, 26X40X5	3	---	---	---	---	A	---	---	2	91268-463-003	0886309	
		4	5	6					2	91268-463-003	0886309	
25 OIL SEAL, 47X56X7	3	---	---	---	---	A	---	---	1	91271-MB0-000	1251511	
		4	5	6					1	91271-MB0-000	1251511	
OIL SEAL, 47X56X7	3	---	---	---	---	A	---	---	1	91271-MB0-003	1251529	
		4	5	6					1	91271-MB0-003	1251529	
OIL SEAL, 47X56X7	3	---	---	---	---	A	---	---	1	91271-MB0-004	1251537	
		4	5	6					1	91271-MB0-004	1251537	
OIL SEAL, 47X56X7	3	---	---	---	---	A	---	---	1	91271-MB0-013	2648038	
		4	5	6					1	91271-MB0-013	2648038	
OIL SEAL, 47X56X7	3	---	---	---	---	A	---	---	1	91271-MK3-003	2023844	
		4	5	6					1	91271-MK3-003	2023844	
26 O-RING, 19X1.9	3	---	---	---	---	A	---	---	1	91361-MB0-000	1442334	
		4	5	6					1	91361-MB0-000	1442334	
27 BOLT, FLANGE, 8X32	3	---	---	---	---	A	---	---	1	95700-08032-00	0637173	
		4	5	6					1	95700-08032-00	0637173	
BOLT, FLANGE, 8X32	3	---	---	---	---	A	---	---	1	95701-08032-00	2751725	
		4	5	6					1	95701-08032-00	2751725	

Ref. No.	BLOCK NO	F-26	VF1100C				AREA	FRAME SERIAL NUMBER		QTY	PART NUMBER	HONDA CODE
			1	2	3	4		FROM	TO			
3 = VF1100C'83			1	1	1	1						
4 = VF1100C'84			9	9	9	9						
5 = VF1100C'85			8	8	8	8						
6 = VF1100C'86			3	4	5	6						
1 SHOCK ABSORBER ASSY., R. RR.	3	---	---	---	---	A	---	---	1	52400-MB4-671	1439207	
		4	5	6					1	52400-MB4-671	1439207	
2 SPRING, RR. SHOCK	3	---	---	---	---	A	---	---	2	52401-MB4-003	1388297	
		4	5	6					2	52401-MB4-003	1388297	
3 CASE A, ADJUSTER	3	---	---	---	---	A	---	---	2	52402-ME5-003	1366038	
		4	5	6					2	52402-ME5-003	1366038	
4 CASE B, ADJUSTER	3	---	---	---	---	A	---	---	2	52403-ME5-003	1366046	
		4	5	6					2	52403-ME5-003	1366046	
5 DAMPER COMP., RR.	3	---	---	---	---	A	---	---	1	52410-MB4-003	1388305	
		4	5	6					1	52410-MB4-003	1388305	
6 SEAT, LOCK	3	---	---	---	---	A	---	---	2	52451-ME5-003	1366061	
		4	5	6					2	52451-ME5-003	1366061	
7 STOPPER, SPRING SEAT	3	---	---	---	---	A	---	---	2	52452-ME5-003	1366079	
		4	5	6					2	52452-ME5-003	1366079	
8 RING, STOPPER	3	---	---	---	---	A	---	---	2	52453-ME5-003	1366087	
		4	5	6					2	52453-ME5-003	1366087	
9 SPRING, COIL	3	---	---	---	---	A	---	---	8	52454-ME5-003	1366095	
		4	5	6					8	52454-ME5-003	1366095	

174 AMERICAN HONDA MOTOR CO. INC. 1994

1-11

AMERICAN HONDA MOTOR CO. INC. 1994 175

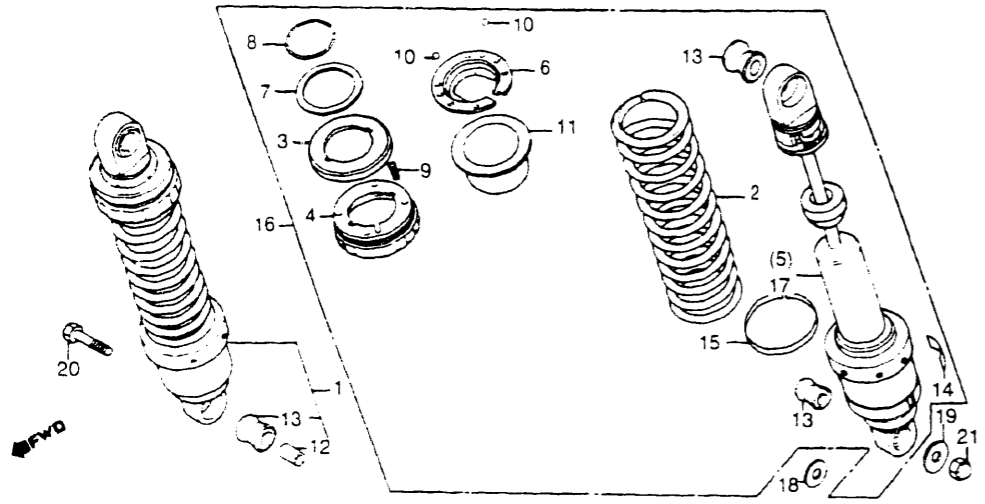
VF1100C'83 ENGINE NO.; SC12E-2000039 TO 2018597  
 VF1100C'83 FRAME NO.; SC120-DM000029 TO DM017677  
 VF1100C'84 ENGINE NO.; SC12E-2100001 TO 2116075  
 VF1100C'84 FRAME NO.; SC120-EA100001 TO EA117064

VF1100C'84 ENGINE NO.; SC12E-2102298 TO 2114635  
 VF1100C'84 FRAME NO.; SC121-EA100004 TO EA117067  
 VF1100C'85 ENGINE NO.; SC12E-2200001 TO 2208055  
 VF1100C'85 FRAME NO.; SC120-FA200006 TO FA208465

VF1100C'85 ENGINE NO.; SC12E-2200001 TO 2206580  
 VF1100C'85 FRAME NO.; SC121-FA200001 TO FA206845  
 VF1100C'86 ENGINE NO.; SC12E-2300020 TO 2304336  
 VF1100C'86 FRAME NO.; SC120-GM300101 TO GM304425

VF1100C'86 ENGINE NO.; SC12E-2300001 TO 2302532  
 VF1100C'86 FRAME NO.; SC121-GM301306 TO GM302625

# SHOCK ABSORBER



F14MB4D26

Ref No.	BLOCK NO. DESCRIPTION	VF1100C				AREA CODE	FRAME SERIAL NUMBER		QTY REQ	PART NUMBER	HONDA CODE
		1	1	1	1		FROM	TO			
		3	4	5	6						
10	BALL	3	4	5	6	A			4	52456-ME5-003 1366103	
11	GUIDE, SPRING	3	4	5	6	A			2	52462-ME5-003 1366111	
12	COLLAR, RR. SHOCK ABSORBER	3	4	5	6	A			1	52486-463-000 0884411	
13	BUSH, UPPER RUBBER (SHOWA)	3	4	5	6	A			4	52489-461-771 1095751	
14	EMBLEM, RR. SHOCK	3	4	5	6	A			2	52495-MB1-670 1378561	
15	LABEL A	3	4	5	6	A			2	52496-MB4-003 1391044	
16	SHOCK ABSORBER ASSY., L. RR.	3	4	5	6	A			1	52500-MB4-671 1439215	
17	DAMPER COMP., L. RR.	3	4	5	6	A			1	52510-MB4-003 1391051	
18	WASHER, PLAIN, 16MM	3	4	5	6	A			1	90439-463-000 0912840	

VF1100C'83 ENGINE NO.; SC12E-2000039 TO 2018597  
 VF1100C'83 FRAME NO.; SC120-DM000029 TO DMO17677  
 VF1100C'84 ENGINE NO.; SC12E-2100001 TO 2116075  
 VF1100C'84 FRAME NO.; SC120-EA100001 TO EA117064

VF1100C'84 ENGINE NO.; SC12E-2102298 TO 2114635  
 VF1100C'84 FRAME NO.; SC121-EA100004 TO EA117067  
 VF1100C'85 ENGINE NO.; SC12E-2200001 TO 2208055  
 VF1100C'85 FRAME NO.; SC120-FA200006 TO FA208465

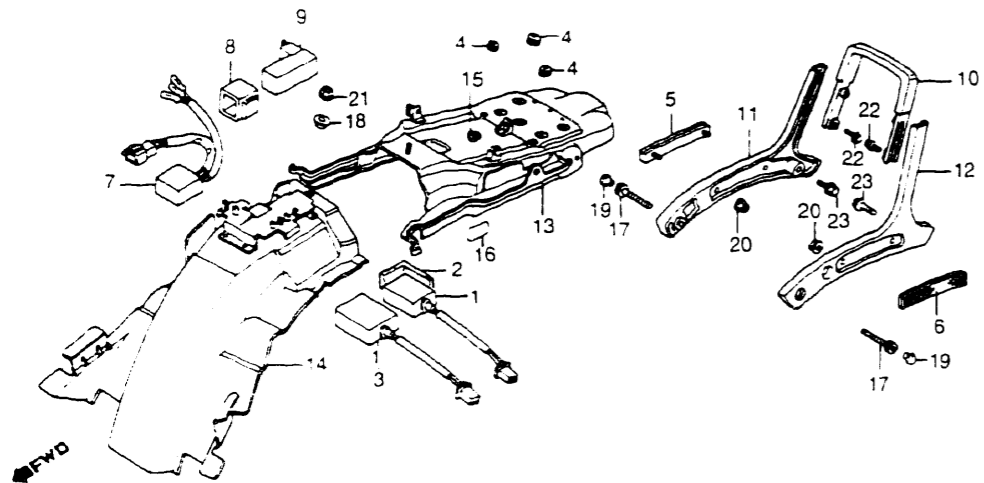
Ref. No.	BLOCK NO. DESCRIPTION	VF1100C				AREA CODE	FRAME SERIAL NUMBER		QTY REQ	PART NUMBER	HONDA CODE
		1	1	1	1		FROM	TO			
		3	4	5	6						
19	WASHER, 10.3MM	3	4	5	6	A			1	90521-292-000 0144873	
20	BOLT, HEX., 10X35	3	4	5	6	A			1	93200-10035-0B 0912857	
21	NUT, CAP, 10MM	3	4	5	6	A			1	94021-10020-0S 0172155	

VF1100C'85 ENGINE NO.; SC12E-2200001 TO 2206580  
 VF1100C'85 FRAME NO.; SC121-FA200001 TO FA206845  
 VF1100C'86 ENGINE NO.; SC12E-2300020 TO 2304336  
 VF1100C'86 FRAME NO.; SC120-GM300101 TO GM304425

VF1100C'86 ENGINE NO.; SC12E-2300001 TO 2302532  
 VF1100C'86 FRAME NO.; SC121-GM301306 TO GM302625

CONTENTS		
TITLE	PAGE	GRID
AIR CLEANER	156	1-14
BATTERY	152	1-12
BRAKE CALIPER, FR.	114	1-G7
BRAKE CALIPER, RR.	124	1-G12
BRAKE CONTROL LEVER	88	1-F6
BRAKE MASTER CYL. FR.	88	1-F6
BRAKE MASTER CYL. RR.	121	1-G10
BRAKE PEDAL	164	1-18
CABLES	85	1-F4
CANISTER 84-85	202	1-K3
CANISTER 86	204	1-K4
CLUTCH CONTROL LEVER	92	1-F8
CLUTCH MASTER CYLINDER	92	1-F8
DRIVE SHAFT	172	1-112
FENDER, FR.	105	1-G2
FENDER, RR.	178	1-J3
FINAL DRIVEN GEAR	130	1-H3
FOOTPEGS	166	1-19
FRAME	196	1-J12
FUEL PUMP	152	1-12
FUEL TANK	136	1-H6
GEARSHIFT PEDAL	164	1-18
HANDLEBAR	96	1-F10
HEADLIGHT	78	1-F1
HORN	100	1-F12
IGNITION COIL	188	1-J8
INSTRUMENTS	80	1-F2
MAIN STAND	169	1-110
MUFFLER	160	1-16
RADIATOR	191	1-J9
RECTIFIER	144	1-H10
SEAT	141	1-H8
SHOCK ABSORBER	175	1-J1
SHOCK ABSORBER, FR.	106	1-G3
SIDE COVER	144	1-H10
SIDE STAND	169	1-110
SPARK UNIT	178	1-J3
STEERING STEM	100	1-F12
SWINGARM	172	1-112
SWITCHES	85	1-F4
TAILLIGHT	185	1-J6
TOOLS	200	1-K2
TOP BRIDGE	96	1-F10
TURN SIGNAL	180	1-J4
WHEEL, FR.	118	1-G9
WHEEL, RR.	127	1-H1
WIRE HARNESS	188	1-J8

# REAR FENDER • SPARK UNIT



F14MB4D27

Ref No	BLOCK NO DESCRIPTION	F-27	VF1100C				A R E A C O D E	FRAME SERIAL NUMBER		QTY REQ	PART NUMBER	HONDA CODE
			1	1	1	1		FROM	TO			
			9	8	8	8						
			3	4	5	6						
1	SPARK UNIT (ND)		3				A	DM013252		2	30400-MB0-004	1245935
	SPARK UNIT (HITACHI)		3				A	DM013253		1	30400-MB0-004	1245935
	SPARK UNIT			4	5	6				1	30400-MB4-004	1385293
	SPARK UNIT			4	5	6				1	30400-MB4-005	1385301
2	RUBBER, SPARK UNIT		3				A	DM013252		1	30405-MB4-000	1391069
3	SPARK UNIT (ND)		3				A	DM013253		1	30410-MB4-004	1463751
	SPARK UNIT (HITACHI)		3				A	DM013253		1	30410-MB4-005	1463769
4	GROMMET, WIRE HARNESS		3				A			3	32983-011-000	0008730
5	REFLECTOR, R. RR. REFLEX		3				A			1	33742-ME4-671	1379346
6	REFLECTOR, L. RR. REFLEX		3				A			1	33743-ME4-671	1379353

Ref No	BLOCK NO DESCRIPTION	F-27	VF1100C				A R E A C O D E	FRAME SERIAL NUMBER		QTY REQ	PART NUMBER	HONDA CODE
			1	1	1	1		FROM	TO			
			9	8	8	8						
			3	4	5	6						
7	SENSOR, STOP & TAILLIGHT		3				A			1	35550-MB1-771	1377373
	SUSPENSION, FUEL CUT RELAY		3				A			1	36101-MB1-000	1246990
	CHECK UNIT, PILOT LAMP		3				A			1	37640-MB1-701	1291434
	RAIL, RR. GRAB		3				A			1	77320-MB4-000	1388479
	BRACKET, R. GRAB RAIL		3				A			1	77330-MB4-000	1388487
	BRACKET, L. GRAB RAIL		3				A			1	77340-MB4-000	1388495
	FENDER A, RR.		3				A			1	80100-MB4-000	1388503
	FENDER B, RR.		3				A			1	80105-MB4-000	1388529
	GROMMET, AIR CLEANER CASE		3				A			1	83551-300-000	0204990
	LABEL, HELMET HOLDER			4	5	6				1	87511-323-670	0274811
	BOLT, SOCKET, 8X22		3				A			2	90119-KV0-000	2890374
	BOLT, SOCKET, 8X22			4	5	6				2	90119-MB4-000	1388784
	WASHER, 6X20		3				A			1	90512-300-000	0191494
	CAP, SOCKET BOLT, 10MM				5	6				2	91456-MJ0-000	1745462
	NUT, FLANGE, 5MM		3				A			4	94050-05080	0612671
	NUT, FLANGE, 6MM		3				A			1	94050-06080	0612689
	BOLT, FLANGE, 6X16		3				A			4	95700-06016-00	0496653
	BOLT, FLANGE, 6X16			4	5	6				4	95701-06016-00	2410892
	BOLT, FLANGE, 8X25		3				A			2	95700-08025-08	0371997
	BOLT, FLANGE, 8X25			4	5	6				2	95701-08025-08	2563252

# CONTENTS

TITLE	PAGE	GRID
AIR CLEANER	156	1-I4
BATTERY	152	1-I2
BRAKE CALIPER, FR.	114	1-G7
BRAKE CALIPER, RR.	124	1-G12
BRAKE CONTROL LEVER	88	1-F6
BRAKE MASTER CYL. FR.	88	1-F6
BRAKE MASTER CYL. RR.	121	1-G10
BRAKE PEDAL	164	1-I8
CABLES	85	1-F4
CANISTER 84-85	202	1-K3
CANISTER 86	204	1-K4
CLUTCH CONTROL LEVER	92	1-F8
CLUTCH MASTER CYLINDER	92	1-F8
DRIVE SHAFT	172	1-I12
FENDER, FR.	105	1-G2
FENDER, RR.	178	1-J3
FINAL DRIVEN GEAR	130	1-H3
FOOTPEGS	166	1-I9
FRAME	196	1-J12
FUEL PUMP	152	1-I2
FUEL TANK	136	1-H6
GEARSHIFT PEDAL	164	1-I8
HANDLEBAR	96	1-F10
HEADLIGHT	78	1-F1
HORN	100	1-F12
IGNITION COIL	188	1-J8
INSTRUMENTS	80	1-F2
MAIN STAND	169	1-I10
MUFFLER	160	1-I6
RADIATOR	191	1-J9
RECTIFIER	144	1-H10
SEAT	141	1-H8
SHOCK ABSORBER	175	1-J1
SHOCK ABSORBER, FR.	106	1-G3
SIDE COVER	144	1-H10
SIDE STAND	169	1-I10
SPARK UNIT	178	1-J3
STEERING STEM	100	1-F12
SWINGARM	172	1-I12
SWITCHES	85	1-F4
TAILLIGHT	185	1-J6
TOOLS	200	1-K2
TOP BRIDGE	96	1-F10
TURN SIGNAL	180	1-J4
WHEEL, FR.	118	1-G9
WHEEL, RR.	127	1-H1
W'RE HARNESS	188	1-J8

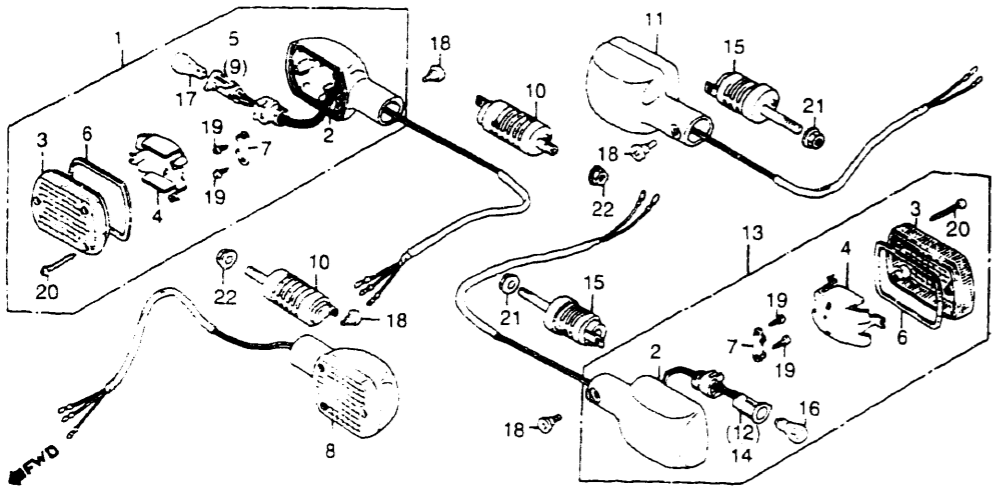
VF1100C'83 ENGINE NO.; SC12E-2000039 TO 2018597  
 VF1100C'83 FRAME NO.; SC120-DM000029 TO DM017677  
 VF1100C'84 ENGINE NO.; SC12E-2100001 TO 2116075  
 VF1100C'84 FRAME NO.; SC120-EA100001 TO EA117064

VF1100C'84 ENGINE NO.; SC12E-2102298 TO 2114635  
 VF1100C'84 FRAME NO.; SC121-EA100004 TO EA117067  
 VF1100C'85 ENGINE NO.; SC12E-2200001 TO 2208055  
 VF1100C'85 FRAME NO.; SC120-FA200006 TO FA208465

VF1100C'85 ENGINE NO.; SC12E-2200001 TO 2206580  
 VF1100C'85 FRAME NO.; SC121-FA200001 TO FA206845  
 VF1100C'86 ENGINE NO.; SC12E-2300020 TO 2304336  
 VF1100C'86 FRAME NO.; SC120-GM300101 TO GM304425

VF1100C'86 ENGINE NO.; SC12E-2300001 TO 2302532  
 VF1100C'86 FRAME NO.; SC121-GM301306 TO GM302625

# TURN SIGNAL



F14MB4D28

Ref. No.	BLOCK NO. DESCRIPTION	VF1100C				AREA CODE	FRAME SERIAL NUMBER		QTY REQ	PART NUMBER	HONDA CODE
		1	1	1	1		FROM	TO			
		1	1	1	1						
		9	9	9	9						
		8	8	8	8						
		3	4	5	6						
1	TURN SIGNAL ASSY. ....	3	--	--	--	A	--	--	1	33400-MB1-406 4058095	
	TURN SIGNAL ASSY., R. FR. (12V 23/8W) .....	3	--	--	--	A	--	--	1	33400-MB1-671 1260371	
	TURN SIGNAL ASSY., R. FR. (12V 23/8W) .....	3	--	--	--	A	--	--	1	33400-MB1-671 1260371	
	TURN SIGNAL ASSY., R. FR. (12V 23/8W) .....	3	--	--	--	A	--	--	1	33400-MB1-679 2110278	
	TURN SIGNAL ASSY., R. FR. (12V 23/8W) .....	3	--	--	--	A	--	--	1	33400-MB1-679 2110278	
	TURN SIGNAL ASSY., R. FR. (12V 23/8W) .....	3	--	--	--	A	--	--	1	33400-ME5-670 1365600	
	TURN SIGNAL ASSY., R. FR. (12V 23/8W) .....	3	--	--	--	A	--	--	1	33400-ME5-670 1365600	
	TURN SIGNAL ASSY., R. FR. (12V 23/8W) .....	3	--	--	--	A	--	--	1	33400-ME5-671 1391689	
	TURN SIGNAL ASSY., R. FR. (12V 23/8W) .....	3	--	--	--	A	--	--	1	33400-ME5-671 1391689	
	TURN SIGNAL ASSY., R. FR. (12V 23/8W) .....	3	--	--	--	A	--	--	1	33450-ME5-670 1365626	
	TURN SIGNAL ASSY., R. FR. (12V 23/8W) .....	3	--	--	--	A	--	--	1	33450-ME5-670 1365626	
	TURN SIGNAL ASSY., R. FR. (12V 23/8W) .....	3	--	--	--	A	--	--	1	33450-ME5-671 1391705	
	TURN SIGNAL ASSY., R. FR. (12V 23/8W) .....	3	--	--	--	A	--	--	1	33450-ME5-671 1391705	

VF1100C'83 ENGINE NO.; SC12E-2000039 TO 2018597  
 VF1100C'83 FRAME NO.; SC120-DM000029 TO DM017677  
 VF1100C'84 ENGINE NO.; SC12E-2100001 TO 2116075  
 VF1100C'84 FRAME NO.; SC120-EA100001 TO EA117064

VF1100C'84 ENGINE NO.; SC12E-2102298 TO 2114635  
 VF1100C'84 FRAME NO.; SC121-EA100004 TO EA117067  
 VF1100C'85 ENGINE NO.; SC12E-2200001 TO 2208055  
 VF1100C'85 FRAME NO.; SC120-FA200006 TO FA208465

Ref. No.	BLOCK NO. DESCRIPTION	VF1100C				AREA CODE	FRAME SERIAL NUMBER		QTY REQ	PART NUMBER	HONDA CODE
		1	1	1	1		FROM	TO			
		1	1	1	1						
		9	9	9	9						
		8	8	8	8						
		3	4	5	6						
2	BASE, TURN SIGNAL .....	3	--	--	--	A	--	--	4	33401-MB1-003 1260389	
			4	5	6				4	33401-MB1-003 1260389	
3	LENS, TURN SIGNAL .....	3	--	--	--	A	--	--	4	33402-MB1-003 1260397	
			4	5	6				4	33402-MB1-003 1260397	
4	REFLECTOR, TURN SIGNAL .....	3	--	--	--	A	--	--	4	33403-MB1-671 1260405	
			4	5	6				4	33403-MB1-671 1260405	
5	SOCKET COMP., TURN SIGNAL .....	3	--	--	--	A	--	--	1	33405-MB1-405 3941408	
			4	5	6				1	33405-MB1-405 3941408	
	WIRE COMP., R. TURN SIGNAL .....	3	--	--	--	A	--	--	1	33405-MB1-671 1260413	
			4	5	6				1	33405-MB1-671 1260413	
6	GASKET, LENS .....	3	--	--	--	A	--	--	4	33407-MB1-003 1260421	
			4	5	6				4	33407-MB1-003 1260421	
7	HOLDER .....	3	--	--	--	A	--	--	4	33408-MB1-003 1260439	
			4	5	6				4	33408-MB1-003 1260439	
8	TURN SIGNAL ASSY. ....	3	--	--	--	A	--	--	1	33400-MB1-406 4058095	
			4	5	6				1	33400-MB1-406 4058095	
	TURN SIGNAL ASSY., L. FR. (12V 23/8W) .....	3	--	--	--	A	--	--	1	33400-MB1-670 1246370	
			4	5	6				1	33400-MB1-670 1246370	
	TURN SIGNAL ASSY., R. FR. (12V 23/8W) .....	3	--	--	--	A	--	--	1	33400-MB1-671 1260371	
			4	5	6				1	33400-MB1-671 1260371	
	TURN SIGNAL ASSY., R. FR. (12V 23/8W) .....	3	--	--	--	A	--	--	1	33400-MB1-679 2110278	
			4	5	6				1	33400-MB1-679 2110278	
	TURN SIGNAL ASSY., R. FR. (12V 23/8W) .....	3	--	--	--	A	--	--	1	33400-ME5-670 1365600	
			4	5	6				1	33400-ME5-670 1365600	
	TURN SIGNAL ASSY., R. FR. (12V 23/8W) .....	3	--	--	--	A	--	--	1	33400-ME5-671 1391689	
			4	5	6				1	33400-ME5-671 1391689	
	TURN SIGNAL ASSY., L. FR. (12V 23/8W) .....	3	--	--	--	A	--	--	1	33450-MB1-671 1260447	
			4	5	6				1	33450-MB1-671 1260447	
	TURN SIGNAL ASSY., R. FR. (12V 23/8W) .....	3	--	--	--	A	--	--	1	33450-ME5-670 1365626	
			4	5	6				1	33450-ME5-670 1365626	
	TURN SIGNAL ASSY., R. FR. (12V 23/8W) .....	3	--	--	--	A	--	--	1	33450-ME5-671 1391705	
			4	5	6				1	33450-ME5-671 1391705	

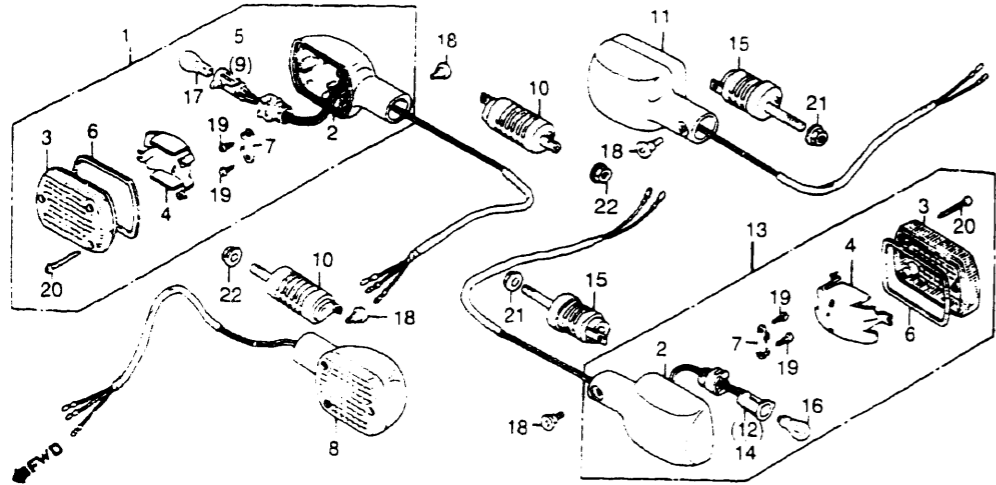
VF1100C'85 ENGINE NO.; SC12E-2200001 TO 2206580  
 VF1100C'85 FRAME NO.; SC121-FA200001 TO FA206845  
 VF1100C'86 ENGINE NO.; SC12E-2300020 TO 2304336  
 VF1100C'86 FRAME NO.; SC120-GM300101 TO GM304425

VF1100C'86 ENGINE NO.; SC12E-2300001 TO 2302532  
 VF1100C'86 FRAME NO.; SC121-GM301306 TO GM302625

# CONTENTS

TITLE	PAGE	GRID
AIR CLEANER	156	1-I4
BATTERY	152	1-I2
BRAKE CALIPER, FR.	114	1-G7
BRAKE CALIPER, RR.	124	1-G12
BRAKE CONTROL LEVER	88	1-F6
BRAKE MASTER CYL. FR.	88	1-F6
BRAKE MASTER CYL. RR.	121	1-G10
BRAKE PEDAL	164	1-I8
CABLES	85	1-F4
CANISTER 84-85	202	1-K3
CANISTER 86	204	1-K4
CLUTCH CONTROL LEVER	92	1-F8
CLUTCH MASTER CYLINDER	92	1-F8
DRIVE SHAFT	172	1-I12
FENDER, FR.	105	1-G2
FENDER, RR.	178	1-J3
FINAL DRIVEN GEAR	130	1-H3
FOOTPEGS	166	1-I9
FRAME	196	1-J12
FUEL PUMP	152	1-I2
FUEL TANK	136	1-H6
GEARSHIFT PEDAL	164	1-I6
HANDLEBAR	96	1-F10
HEADLIGHT	78	1-F1
HORN	100	1-F12
IGNITION COIL	188	1-J8
INSTRUMENTS	80	1-F2
MAIN STAND	169	1-I10
MUFFLER	160	1-I6
RADIATOR	191	1-J9
RECTIFIER	144	1-H10
SEAT	141	1-H8
SHOCK ABSORBER	175	1-J1
SHOCK ABSORBER, FR.	106	1-G3
SIDE COVER	144	1-H10
SIDE STAND	169	1-I10
SPARK UNIT	178	1-J3
STEERING STEM	100	1-F12
SWINGARM	172	1-I12
SWITCHES	85	1-F4
TAILLIGHT	185	1-J6
TOOLS	200	1-K2
TOP BRIDGE	96	1-F10
TURN SIGNAL	180	1-J4
WHEEL, FR.	118	1-G9
WHEEL, RR.	127	1-H1
WIRE HARNESS	188	1-J8

# TURN SIGNAL



F14MB4D28

Ref. No.	BLOCK NO. DESCRIPTION	VF1100C				AREA CODE	FRAME SERIAL NUMBER		QTY REQ	PART NUMBER	HONDA CODE
		1	1	1	1		FROM	TO			
		3	4	5	6						
9	SOCKET COMP., TURN SIGNAL	3	---	---	---	A	---	---	1	33405-MB1-405 33405-MB1-405	3941408 3941408
	WIRE COMP., L. TURN SIGNAL	3	---	---	---	A	---	---	1	33455-MB1-671 33455-MB1-671	1260454 1260454
10	STAY, FR. TURN SIGNAL	3	---	---	---	A	---	---	2	33490-MB1-003 33490-MB1-003	1246479 1246479
11	TURN SIGNAL ASSY., R. RR. (12V 23W)	3	---	---	---	A	---	---	1	33600-MB1-671 33600-MB1-671	1260462 1260462
	TURN SIGNAL ASSY., R. RR. (12V 23W)	3	---	---	---	A	---	---	1	33600-MB1-679 33600-MB1-679	2138998 2138998
	TURN SIGNAL ASSY.	3	---	---	---	A	---	---	1	33600-MG8-405 33600-MG8-405	4031688 4031688
	TURN SIGNAL ASSY., R. RR.	---	---	---	---	6	---	---	1	33600-MB4-830	2250462
12	WIRE COMP., R. TURN SIGNAL	3	---	---	---	A	---	---	1	33605-MB1-003 33605-MB1-003	1262286 1262286
	SOCKET COMP., TURN SIGNAL	3	---	---	---	A	---	---	1	33605-MG8-405 33605-MG8-405	4118097 4118097

Ref. No.	BLOCK NO. DESCRIPTION	VF1100C				AREA CODE	FRAME SERIAL NUMBER		QTY REQ	PART NUMBER	HONDA CODE
		1	1	1	1		FROM	TO			
		3	4	5	6						
12	WIRE COMP., R. TURN SIGNAL	---	---	---	---	6	---	---	1	33605-MB4-830	2250470
13	TURN SIGNAL ASSY., L. RR. (12V 23W)	3	---	---	---	A	---	---	1	33600-MB1-670 33600-MB1-670	1246495 1246495
	TURN SIGNAL ASSY., R. RR. (12V 23W)	3	---	---	---	A	---	---	1	33600-MB1-671 33600-MB1-671	1260462 1260462
	TURN SIGNAL ASSY., R. RR. (12V 23W)	3	---	---	---	A	---	---	1	33600-MB1-679 33600-MB1-679	2138998 2138998
	TURN SIGNAL ASSY., L. RR. (12V 23W)	3	---	---	---	A	---	---	1	33600-ME4-670 33600-ME4-670	1402197 1402197
	TURN SIGNAL ASSY.	3	---	---	---	A	---	---	1	33600-MG8-405 33600-MG8-405	4031688 4031688
	TURN SIGNAL ASSY., L. RR. (12V 23W)	3	---	---	---	A	---	---	1	33650-MB1-671 33650-MB1-671	1260488 1260488
	TURN SIGNAL ASSY., L. RR.	---	---	---	---	6	---	---	1	33650-MB4-830	2250488
14	SOCKET COMP., TURN SIGNAL	3	---	---	---	A	---	---	1	33605-MG8-405 33605-MG8-405	4118097 4118097
	WIRE COMP., L. TURN SIGNAL	3	---	---	---	A	---	---	1	33655-MB1-003 33655-MB1-003	1260496 1260496
	WIRE COMP., L. TURN SIGNAL	---	---	---	---	6	---	---	1	33655-MB4-830	2250496
15	STAY, RR. TURN SIGNAL	3	---	---	---	A	---	---	2	33690-MB4-003 33690-MB4-003	1387448 1387448
16	BULB, TURN SIGNAL (12V 23W)	3	---	---	---	A	---	---	2	34905-268-671 34905-268-671	0145318 0145318
17	BULB, 12V23/7W 1034	3	---	---	---	A	---	---	2	34901-504-003 34901-504-003	0504530 0504530
	BULB, STOP & TAILLIGHT (12V23/8W)	3	---	---	---	A	---	---	2	34906-313-671 34906-313-671	0210815 0210815
18	SCREW, SPECIAL, 6X8	3	---	---	---	A	---	---	4	90380-MB1-000 90380-MB1-000	1251339 1251339
	BOLT, SPECIAL, 6X8	3	---	---	---	A	---	---	4	90380-ME9-000 90380-ME9-000	1413830 1413830
19	SCREW, TAPPING, 4X12	3	---	---	---	A	---	---	8	93901-34320 93901-34320	0791277 0791277
20	SCREW, TAPPING, 4X25	3	---	---	---	A	---	---	12	93901-34610 93901-34610	0724369 0724369

# CONTENTS

TITLE	PAGE	GRID
AIR CLEANER	156	1-4
BATTERY	152	1-12
BRAKE CALIPER, FR	114	1-G7
BRAKE CALIPER, RR	124	1-G12
BRAKE CONTROL LEVER	88	1-F6
BRAKE MASTER CYL. FR	88	1-F6
BRAKE MASTER CYL. RR	121	1-G10
BRAKE PEDAL	164	1-18
CABLES	85	1-F4
CANISTER 84-85	202	1-K3
CANISTER 86	204	1-K4
CLUTCH CONTROL LEVER	92	1-F8
CLUTCH MASTER CYLINDER	92	1-F8
DRIVE SHAFT	172	1-112
FENDER, FR	105	1-G2
FENDER, RR	178	1-J3
FINAL DRIVEN GEAR	130	1-H3
FOOTPEGS	166	1-19
FRAME	196	1-J12
FUEL PUMP	152	1-12
FUEL TANK	136	1-H6
GEARSHIFT PEDAL	164	1-18
HANDLEBAR	96	1-F10
HEADLIGHT	78	1-F1
HORN	100	1-F12
IGNITION COIL	188	1-J8
INSTRUMENTS	80	1-F2
MAIN STAND	169	1-110
MUFFLER	160	1-16
RADIATOR	191	1-J9
RECTIFIER	144	1-H10
SEAT	141	1-H8
SHOCK ABSORBER	175	1-J1
SHOCK ABSORBER, FR	106	1-G3
SIDE COVER	144	1-H10
SIDE STAND	169	1-110
SPARK UNIT	178	1-J3
STEERING STEM	100	1-F12
SWINGARM	172	1-112
SWITCHES	85	1-F4
TAILLIGHT	185	1-J6
TOOLS	200	1-K2
TOP BRIDGE	96	1-F10
TURN SIGNAL	180	1-J4
WHEEL, FR	118	1-G9
WHEEL, RR	127	1-H1
WIRE HARNESS	188	1-J8

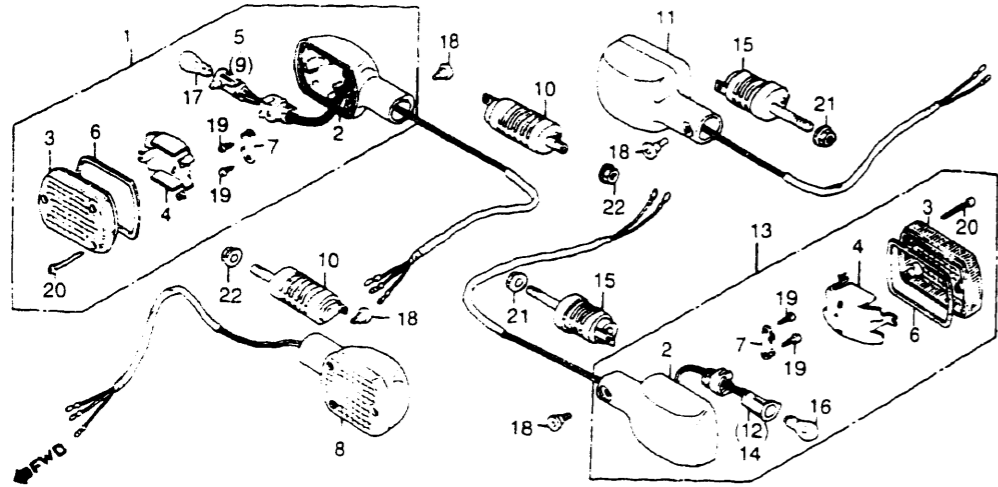
VF1100C'83 ENGINE NO.; SC12E-2000039 TO 2018597  
 VF1100C'83 FRAME NO.; SC120-DM000029 TO DM017677  
 VF1100C'84 ENGINE NO.; SC12E-2100001 TO 2116075  
 VF1100C'84 FRAME NO.; SC120-EA100001 TO EA117064

VF1100C'84 ENGINE NO.; SC12E-2102298 TO 2114635  
 VF1100C'84 FRAME NO.; SC121-EA100004 TO EA117067  
 VF1100C'85 ENGINE NO.; SC12E-2200001 TO 2208055  
 VF1100C'85 FRAME NO.; SC120-FA200006 TO FA208465

VF1100C'85 ENGINE NO.; SC12E-2200001 TO 2206580  
 VF1100C'85 FRAME NO.; SC121-FA200001 TO FA206845  
 VF1100C'86 ENGINE NO.; SC12E-2300020 TO 2304336  
 VF1100C'86 FRAME NO.; SC120-GM300101 TO GM304425

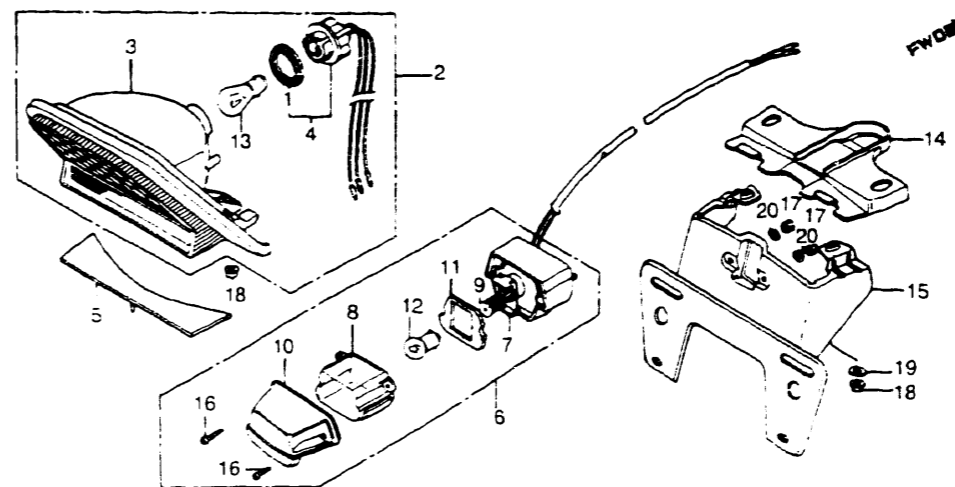
VF1100C'86 ENGINE NO.; SC12E-2300001 TO 2302532  
 VF1100C'86 FRAME NO.; SC121-GM301306 TO GM302625

# TURN SIGNAL



F14MB4D28

# TAILLIGHT



F14MB4D29

Ref No	BLOCK NO. DESCRIPTION	VF1100C				AREA CODE	FRAME SERIAL NUMBER		QTY REQ	PART NUMBER	HONDA CODE
		3	4	5	6		FROM	TO			
	3 = VF1100C'83	1	1	1	1	A	-----	2	94050-08080	0468447	
	4 = VF1100C'84	9	9	9	9						
	5 = VF1100C'85	8	8	8	8	A	-----	2	94050-08080	0468447	
	6 = VF1100C'86	3	4	5	6						
	21 NUT, FLANGE, 8MM .....	3	---	---	---	A	-----	2	94050-12000	0671123	
		---	4	5	6						
	22 NUT, FLANGE, 12MM .....	3	---	---	---	A	-----	2	94050-12000	0671123	
		---	4	5	6						

Ref No	BLOCK NO. DESCRIPTION	VF1100C				AREA CODE	FRAME SERIAL NUMBER		QTY REQ	PART NUMBER	HONDA CODE
		3	4	5	6		FROM	TO			
	3 = VF1100C'83	1	1	1	1	A	-----	1	33518-SA2-003	0845875	
	4 = VF1100C'84	9	9	9	9						
	5 = VF1100C'85	8	8	8	8	A	-----	1	33701-MB4-671	1425743	
	6 = VF1100C'86	3	4	5	6						
	1 GASKET, SEAL .....	3	---	---	---	A	-----	1	33703-MB4-671	1425750	
		---	4	5	6						
	2 TAILLIGHT UNIT (12V 3213CP) .....	3	---	---	---	A	-----	1	33705-MB4-671	1425768	
		---	4	5	6						
	3 BASE COMP., TAILLIGHT .....	3	---	---	---	A	-----	1	33711-MB4-000	1387455	
		---	4	5	6						
	4 SOCKET COMP., TAILLIGHT .....	3	---	---	---	A	-----	1	33720-MB4-671	1384700	
		---	4	5	6						
	5 RUBBER, TAILLIGHT .....	3	---	---	---	A	-----	1	33720-MB4-672	1551258	
		---	4	5	6						
	6 LIGHT ASSY., LICENSE (12V 8W) .....	3	---	---	---	A	-----	1	33721-MB4-671	1384718	
	LIGHT ASSY., LICENSE (12V 8W) .....	3	---	---	---						
	7 BASE COMP., LICENSE LIGHT .....	3	---	---	---	A	-----	1	33722-MB4-672	1548452	
		---	4	5	6						
	8 LENS, LICENSE .....	3	---	---	---	A	-----	1	33725-MB4-671	1384734	
		---	4	5	6						
	9 WIRE COMP., LICENSE LIGHT .....	3	---	---	---	A	-----	1	33725-MB4-671	1384734	
		---	4	5	6						

184 © AMERICAN HONDA MOTOR CO. INC 1994

1-J6

VF1100C'83 ENGINE NO.; SC12E-2000039 TO 2018597  
 VF1100C'83 FRAME NO.; SC120-DM000029 TO DM017677  
 VF1100C'84 ENGINE NO.; SC12E-2100001 TO 2116075  
 VF1100C'84 FRAME NO.; SC120-EA100001 TO EA117064

VF1100C'84 ENGINE NO.; SC12E-2102298 TO 2114635  
 VF1100C'84 FRAME NO.; SC121-EA100004 TO EA117067  
 VF1100C'85 ENGINE NO.; SC12E-2200001 TO 2203055  
 VF1100C'85 FRAME NO.; SC120-FA200006 TO FA208465

© AMERICAN HONDA MOTOR CO. INC 1994 185

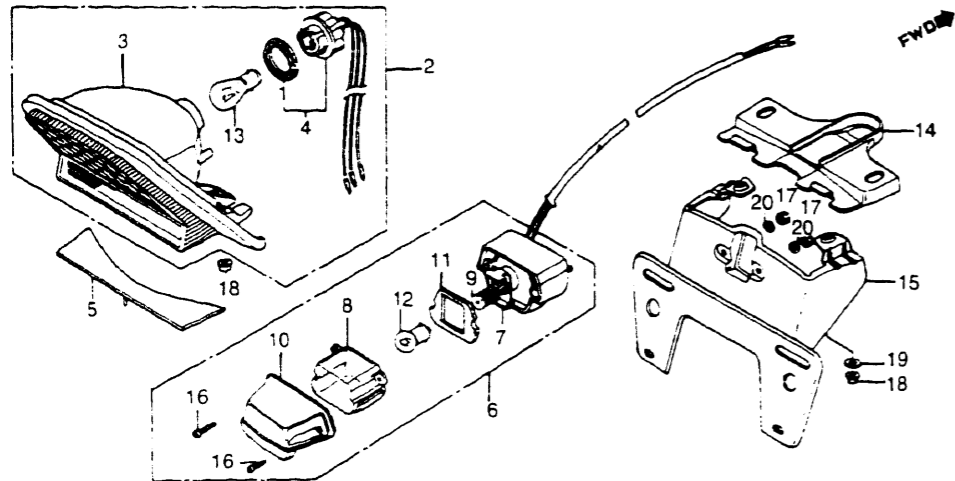
VF1100C'85 ENGINE NO.; SC12E-2200001 TO 2206580  
 VF1100C'85 FRAME NO.; SC121-FA200001 TO FA206845  
 VF1100C'86 ENGINE NO.; SC12E-2300020 TO 2304336  
 VF1100C'86 FRAME NO.; SC120-GM300101 TO GM304425

VF1100C'86 ENGINE NO.; SC12E-2300001 TO 2302532  
 VF1100C'86 FRAME NO.; SC121-GM301306 TO GM302625

# CONTENTS

TITLE	PAGE	GRID
AIR CLEANER	156	1-44
BATTERY	152	1-42
BRAKE CALIPER, FR.	114	1-G7
BRAKE CALIPER, RR.	124	1-G12
BRAKE CONTROL LEVER	88	1-F6
BRAKE MASTER CYL. FR.	88	1-F6
BRAKE MASTER CYL. RR.	121	1-G10
BRAKE PEDAL	164	1-48
CABLES	85	1-F4
CANISTER 84-85	202	1-K3
CANISTER 86	204	1-K4
CLUTCH CONTROL LEVER	92	1-F8
CLUTCH MASTER CYLINDER	92	1-F8
DRIVE SHAFT	172	1-I12
FENDER, FR.	105	1-G2
FENDER, RR.	178	1-J3
FINAL DRIVEN GEAR	130	1-I13
FOOTPEGS	166	1-49
FRAME	196	1-J12
FUEL PUMP	152	1-I2
FUEL TANK	136	1-I6
GEARSHIFT PEDAL	164	1-48
HANDLEBAR	96	1-F10
HEADLIGHT	78	1-F1
HORN	100	1-F12
IGNITION COIL	188	1-J8
INSTRUMENTS	80	1-F2
MAIN STAND	169	1-I10
MUFFLER	160	1-I6
RADIATOR	191	1-J9
RECTIFIER	144	1-H10
SEAT	141	1-H8
SHOCK ABSORBER	175	1-J1
SHOCK ABSORBER, FR.	106	1-G3
SIDE COVER	144	1-H10
SIDE STAND	169	1-I10
SPARK UNIT	178	1-J3
STEERING STEM	100	1-F12
SWINGARM	172	1-I12
SWITCHES	85	1-F4
TAILLIGHT	185	1-J6
TOOLS	200	1-K2
TOP BRIDGE	96	1-F10
TURN SIGNAL	180	1-J4
WHEEL, FR.	118	1-G9
WHEEL, RR.	127	1-H1
WIRE HARNESS	188	1-J8

# TAILLIGHT



- 3 = VF1100C'83
- 4 = VF1100C'84
- 5 = VF1100C'85
- 6 = VF1100C'86

Ref. No.	BLOCK NO. DESCRIPTION	VF1100C				AREA CODE	FRAME SERIAL NUMBER		QTY REQ	PART NUMBER	HONDA CODE
		1	1	1	1		FROM	TO			
		1	1	1	1						
		9	9	9	9						
		8	8	8	8						
		3	4	5	6						
10	COVER, LICENSE LIGHT	3	---	---	---	A	---	---	1	33727-MB4-671 1384742	
		---	4	5	6				1	33727-MB4-671 1384742	
11	GASKET, LENS	3	---	---	---	A	---	---	1	33729-MB4-671 1384759	
		---	4	5	6				1	33729-MB4-671 1384759	
12	BULB, LICENSE LIGHT (12V8W)	3	---	---	---	A	---	---	1	34616-568-671 0504522	
		---	4	5	6				1	34616-568-671 0504522	
	BULB, LICENSE LIGHT (12V4CP)	3	---	---	---	A	---	---	1	34902-500-003 0591529	
		---	4	5	6				1	34902-500-003 0591529	
	BULB, LICENSE LIGHT (12V4CP)	3	---	---	---	A	---	---	1	34908-272-000 2079226	
		---	4	5	6				1	34908-272-000 2079226	
	BULB (12V8W 67)	3	---	---	---	A	---	---	1	34909-505-003 0504563	
		---	4	5	6				1	34909-505-003 0504563	
	BULB, LICENSE LIGHT (12V4CP)	3	---	---	---	A	---	---	1	34909-505-610 0587147	
		---	4	5	6				1	34909-505-610 0587147	
13	BULB, TAILLIGHT (12V27/7W 2057HD)	3	---	---	---	A	---	---	1	34906-MG9-771 1700301	
		---	4	5	6				1	34906-MG9-771 1700301	
	BULB, TAILLIGHT (12V 27/8W)	3	---	---	---	A	---	---	1	34906-341-671 0273540	
		---	4	5	6				1	34906-341-671 0273540	

Ref. No.	BLOCK NO. DESCRIPTION	VF1100C				AREA CODE	FRAME SERIAL NUMBER		QTY REQ	PART NUMBER	HONDA CODE
		1	1	1	1		FROM	TO			
		1	1	1	1						
		9	9	9	9						
		8	8	8	8						
		3	4	5	6						
14	PLATE, MUDGUARD	3	---	---	---	A	---	---	1	80103-MB4-000 1388511	
		---	4	5	6				1	80103-MB4-000 1388511	
15	BRACKET, LICENSE PLATE	3	---	---	---	A	---	---	1	84701-MB4-670 1388636	
		---	4	5	6				1	84701-MB4-670 1388636	
16	SCREW, TAPPING, 4X16	3	---	---	---	A	---	---	2	93901-34480 0751057	
		---	4	5	6				2	93901-34480 0751057	
17	NUT, FLANGE, 4MM	3	---	---	---	A	---	---	2	94050-04080 0665182	
		---	4	5	6				2	94050-04080 0665182	
18	NUT, FLANGE, 6MM	3	---	---	---	A	---	---	4	94050-06080 0612689	
		---	4	5	6				4	94050-06080 0612689	
19	WASHER, PLAIN, 6MM	3	---	---	---	A	---	---	2	94103-06800 0629824	
		---	4	5	6				2	94103-06800 0629824	
20	WASHER, SPRING, 4MM	3	---	---	---	A	---	---	2	94111-04000 0058958	
		---	4	5	6				2	94111-04000 0058958	

# CONTENTS

TITLE	PAGE	GRID
AIR CLEANER	156	1-4
BATTERY	152	1-2
BRAKE CALIPER, FR.	114	1-G7
BRAKE CALIPER, RR.	124	1-G12
BRAKE CONTROL LEVER	88	1-F6
BRAKE MASTER CYL. FR.	88	1-F6
BRAKE MASTER CYL. RR.	121	1-G10
BRAKE PEDAL	164	1-B
CABLES	85	1-F4
CANISTER 84-85	202	1-K3
CANISTER 86	204	1-K4
CLUTCH CONTROL LEVER	92	1-F8
CLUTCH MASTER CYLINDER	92	1-F8
DRIVE SHAFT	172	1-I12
FENDER FR.	105	1-G2
FENDER, RR.	178	1-J3
FINAL DRIVEN GEAR	130	1-H3
FOOTPEGS	166	1-I9
FRAME	196	1-J12
FUEL PUMP	152	1-I2
FUEL TANK	136	1-H6
GEARSHIFT PEDAL	164	1-B
HANDLEBAR	96	1-F10
HEADLIGHT	78	1-F1
HORN	100	1-F12
IGNITION COIL	188	1-J8
INSTRUMENTS	80	1-F2
MAIN STAND	169	1-I10
MUFFLER	160	1-I6
RADIATOR	191	1-J9
RECTIFIER	144	1-H10
SEAT	141	1-H8
SHOCK ABSORBER	175	1-J1
SHOCK ABSORBER, FR.	106	1-G3
SIDE COVER	144	1-H10
SIDE STAND	169	1-I10
SPARK UNIT	178	1-J3
STEERING STEM	100	1-F12
SWINGARM	172	1-I12
SWITCHES	85	1-F4
TAILLIGHT	185	1-J6
TOOLS	200	1-K2
TOP BRIDGE	96	1-F10
TURN SIGNAL	180	1-J4
WHEEL FR.	118	1-G9
WHEEL, RR.	127	1-H1
WIRE HARNESS	188	1-J8

VF1100C'83 ENGINE NO.; SC12E-2000039 TO 2018597  
 VF1100C'83 FRAME NO.; SC120-DM000029 TO DM017677  
 VF1100C'84 ENGINE NO.; SC12E-2100001 TO 2116075  
 VF1100C'84 FRAME NO.; SC120-EA100001 TO EA117064

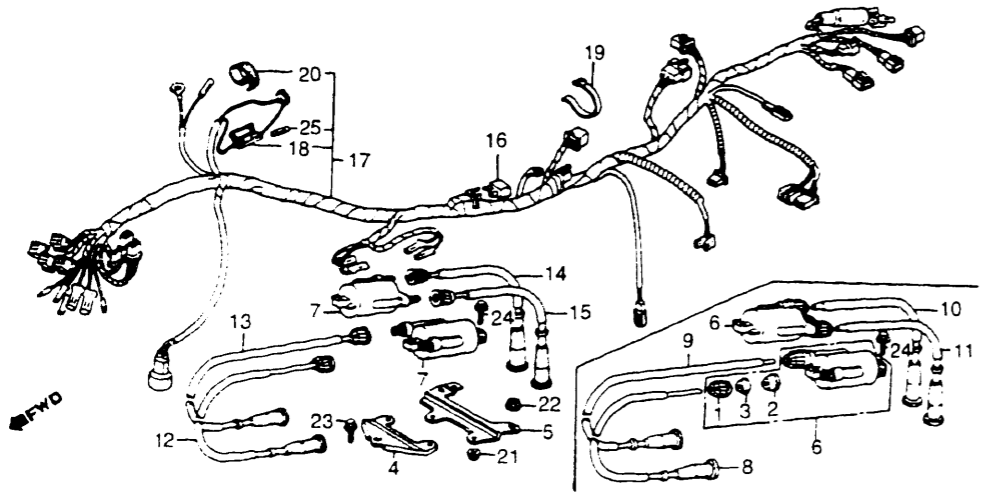
VF1100C'84 ENGINE NO.; SC12E-2102298 TO 2114635  
 VF1100C'84 FRAME NO.; SC121-EA100004 TO EA117067  
 VF1100C'85 ENGINE NO.; SC12E-2200001 TO 2208055  
 VF1100C'85 FRAME NO.; SC120-FA200006 TO FA208465

VF1100C'85 ENGINE NO.; SC12E-2200001 TO 2206580  
 VF1100C'85 FRAME NO.; SC121-FA200001 TO FA206845  
 VF1100C'86 ENGINE NO.; SC12E-2300020 TO 2304336  
 VF1100C'86 FRAME NO.; SC120-GM300101 TO GM304425

VF1100C'86 ENGINE NO.; SC12E-2300001 TO 2302532  
 VF1100C'86 FRAME NO.; SC121-GM301306 TO GM302625



# WIRE HARNESS • IGNITION COIL



F14MB4D30

Ref. No.	BLOCK NO. DESCRIPTION	VF1100C				AREA CODE	FRAME SERIAL NUMBER		QTY REQ	PART NUMBER	HONDA CODE
		1	1	1	1		FROM	TO			
	3 = VF1100C'83 4 = VF1100C'84 5 = VF1100C'85 6 = VF1100C'86	1	1	1	1						
		9	9	9	9						
		8	8	8	8						
		3	4	5	6						
1	CAP, SCREW	3	---	---	---	A	---	---	4	30501-428-003 1094911	
2	SEAL, RUBBER	3	---	---	---	A	---	---	4	30502-428-003 1094929	
3	WASHER, CAP	3	---	---	---	A	---	---	4	30503-428-003 1094937	
4	BRACKET A, IGNITION COIL	3	---	---	---	A	---	---	1	30506-MB4-000 1385202	
5	BRACKET, IGNITION COIL (B)	3	---	---	---	A	---	---	1	30507-MB4-000 1384668	
6	COIL COMP., IGNITION	3	---	---	---	A	---	---	2	30506-MA6-003 1543958	
	COIL COMP., IGNITION	3	---	---	---	A	---	---	2	30510-MA6-003 1245976	
	COIL COMP., IGNITION	3	---	---	---	A	---	---	2	30510-MA6-013 1811173	
7	COIL COMP., IGNITION	---	---	5	6				2	30510-MA6-013 1811173	
8	CAP COMP. 1, SPARK PLUG	3	---	---	---	A	---	---	1	30731-MB4-000 1384676	
		---	---	---	---				1	30731-MB4-000 1384676	

Ref. No.	BLOCK NO. DESCRIPTION	VF1100C				AREA CODE	FRAME SERIAL NUMBER		QTY REQ	PART NUMBER	HONDA CODE
		1	1	1	1		FROM	TO			
	3 = VF1100C'83 4 = VF1100C'84 5 = VF1100C'85 6 = VF1100C'86	1	1	1	1						
		9	9	9	9						
		8	8	8	8						
		3	4	5	6						
9	CAP COMP. 2, SPARK PLUG	3	---	---	---	A	---	---	1	30732-MB4-000 1385319	
		---	4	---	---				1	30732-MB4-000 1385319	
10	CAP COMP. 3, SPARK PLUG	---	---	---	---	A	---	---	1	30733-MB1-153 1246040	
		---	---	---	---				1	30733-MB1-153 1246040	
11	CAP COMP. 4, SPARK PLUG	3	---	---	---	A	---	---	1	30734-MB1-153 1246065	
		---	---	---	---				1	30734-MB1-153 1246065	
12	CAP ASSY. 1, SPARK PLUG	---	---	5	---				1	30751-MB4-305 2161065	
	CAP ASSY. 1, SPARK PLUG	---	---	---	6				1	30751-MB4-830 2250389	
13	CAP ASSY. 2, SPARK PLUG	---	---	5	---				1	30752-MB4-000 1811199	
	CAP ASSY. 2, SPARK PLUG	---	---	---	---				1	30752-MB4-010 2135671	
	CAP ASSY. 2, HIGH TENSIONER	---	---	5	---				1	30752-MB4-020 2135689	
	CAP ASSY. 2, SPARK PLUG	---	---	---	---				1	30752-MB4-305 2161073	
	CAP ASSY. 2, SPARK PLUG	---	---	---	6				1	30752-MB4-830 2250397	
14	CAP ASSY. 3, SPARK PLUG	---	---	5	6				1	30753-MB1-000 1811207	
15	CAP ASSY. 4, SPARK PLUG	---	---	5	6				1	30754-MB1-000 1811215	
16	RECTIFIER ASSY., SILICON (STANLEY)	3	---	---	---	A	---	---	1	31700-124-003 0351346	
		---	4	5	6				1	31700-124-003 0351346	
	RECTIFIER ASSY., SILICON (SHINDENGEN)	3	---	---	---	A	---	---	1	31700-124-008 0692129	
		---	4	5	6				1	31700-124-008 0692129	
17	HARNESS, WIRE	3	---	---	---	A	---	---	1	32100-MB4-610 1425727	
	HARNESS, WIRE	---	---	---	---				1	32100-MB4-770 1542414	
	HARNESS, WIRE	---	---	5	---				1	32100-MB4-680 1811223	
	HARNESS, WIRE	---	---	---	6				1	32100-MB4-830 2250439	
18	CASE, FUSE (10A)	3	---	---	---	A	---	---	1	32126-463-770 0935122	
		---	4	5	6				1	32126-463-770 0935122	
19	BAND, WIRE	---	---	4	5	6			1	32161-438-000 0797068	
20	BAND, FUSE	---	---	4	5	6			1	32213-MB4-770 1724103	
21	NUT, FLANGE, 6MM	3	---	---	---	A	---	---	2	94050-06000 0471623	
		---	---	4	5	6			2	94050-06000 0471623	
22	NUT, FLANGE, 6MM	3	---	---	---	A	---	---	2	94050-06080 0612689	
		---	---	4	5	6			2	94050-06080 0612689	
23	BOLT, FLANGE, 6X14	3	---	---	---	A	---	---	1	95700-06014-08 0840587	
		---	---	4	5	6			1	95700-06014-08 0840587	

# CONTENTS

TITLE	PAGE	GRID
AIR CLEANER	156	1-4
BATTERY	152	1-2
BRAKE CALIPER, FR	114	1-G7
BRAKE CALIPER, RR	124	1-G12
BRAKE CONTROL LEVER	88	1-F6
BRAKE MASTER CYL. FR	88	1-F6
BRAKE MASTER CYL. RR	121	1-G10
BRAKE PEDAL	164	1-8
CABLES	85	1-F4
CANISTER 84-85	202	1-K3
CANISTER 86	204	1-K4
CLUTCH CONTROL LEVER	92	1-F8
CLUTCH MASTER CYLINDER	92	1-F8
DRIVE SHAFT	172	1-12
FENDER FR	105	1-G2
FENDER RR	78	1-J3
FINAL DRIVEN GEAR	130	1-H3
FOOTPEGS	166	1-9
FRAME	196	1-J12
FUEL PUMP	152	1-2
FUEL TANK	136	1-H6
GEARSHIFT PEDAL	64	1-8
HANDLEBAR	96	1-F10
HEADLIGHT	78	1-F1
HORN	100	1-F12
IGNITION COIL	188	1-J8
INSTRUMENTS	80	1-F2
MAIN STAND	169	1-10
MUFFLER	60	1-6
RADIATOR	91	1-J9
RECTIFIER	144	1-H10
SEAT	141	1-H6
SHOCK ABSORBER	175	1-J1
SHOCK ABSORBER FR	106	1-G3
SIDE COVER	144	1-H10
SIDE STAND	169	1-10
SPARK UNIT	78	1-J3
STEERING STEM	100	1-F12
SWINGARM	172	1-12
SWITCHES	85	1-F4
TAILLIGHT	85	1-J6
TOOLS	200	1-K2
TOP BRIDGE	96	1-F10
TURN SIGNAL	80	1-J4
WHEEL FR	118	1-G9
WHEEL RR	127	1-H1
WIRE HARNESS	188	1-J8

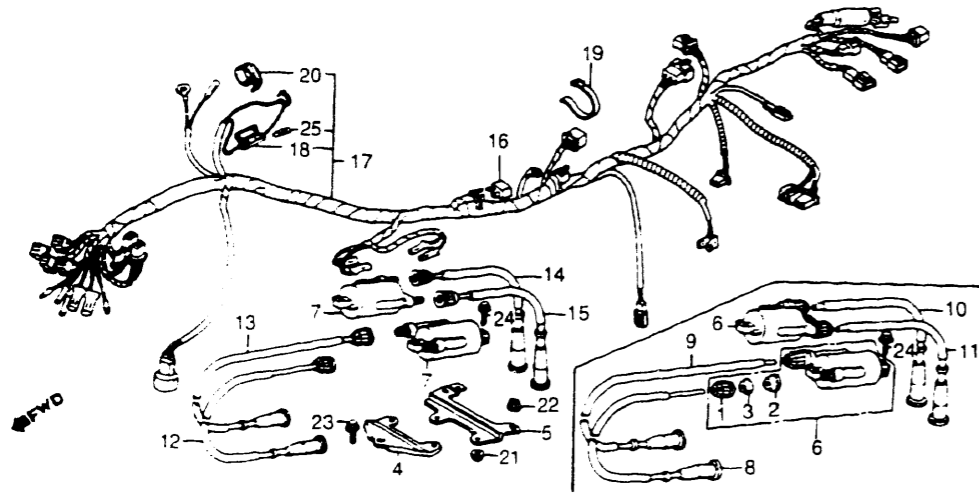
VF1100C'83 ENGINE NO.; SC12E-2000039 TO 2018597  
 VF1100C'83 FRAME NO.; SC120-DM00029 TO DM017677  
 VF1100C'84 ENGINE NO.; SC12E-2100001 TO 2116075  
 VF1100C'84 FRAME NO.; SC120-EA100001 TO EA117064

VF1100C'84 ENGINE NO.; SC12E-2102298 TO 2114635  
 VF1100C'84 FRAME NO.; SC121-EA100004 TO EA117067  
 VF1100C'85 ENGINE NO.; SC12E-2200001 TO 2208055  
 VF1100C'85 FRAME NO.; SC120-FA200006 TO FA208465

VF1100C'85 ENGINE NO.; SC12E-2200001 TO 2206580  
 VF1100C'85 FRAME NO.; SC121-FA200001 TO FA206845  
 VF1100C'86 ENGINE NO.; SC12E-2300020 TO 2304336  
 VF1100C'86 FRAME NO.; SC120-GM300101 TO GM304425

VF1100C'86 ENGINE NO.; SC12E-2300001 TO 2302532  
 VF1100C'86 FRAME NO.; SC121-GM301306 TO GM302625

# WIRE HARNESS • IGNITION COIL



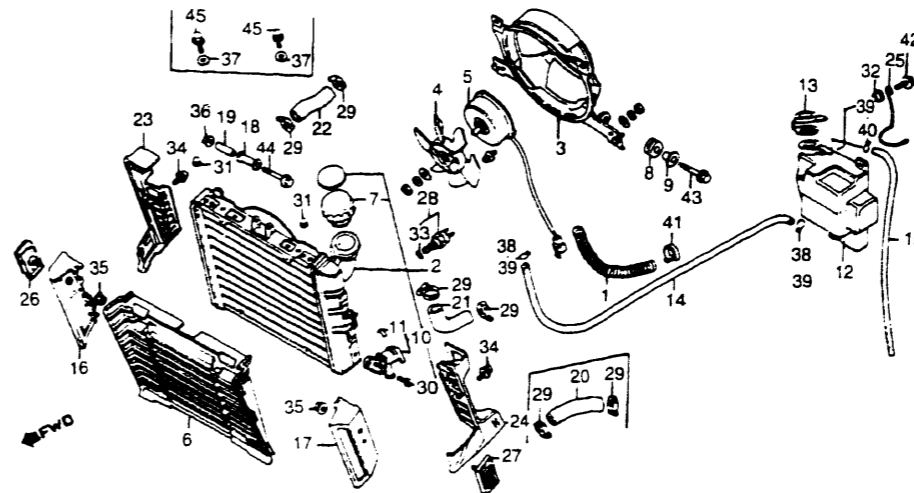
F14MB4D30

Ref No	BLOCK NO DESCRIPTION	VF1100C				AREA CODE	FRAME SERIAL NUMBER FROM TO	QTY REQ	PART NUMBER	HONDA CODE
		1	2	3	4					
		1	1	1	1					
		9	9	9	9					
		8	8	8	8					
		3	4	5	6					
23	BOLT, FLANGE, 6X14	3	--	--	--	A	----	1	95701-06014-08	2374742
		--	4	5	6		----	1	95701-06014-08	2374742
24	BOLT, FLANGE, 6X20	3	--	--	--	A	----	4	95700-06020-08	0340331
		--	4	5	6		----	4	95700-06020-08	0340331
	BOLT, FLANGE, 6X20	3	--	--	--	A	----	4	95701-06020-08	2374759
		--	4	5	6		----	4	95701-06020-08	2374759
25	FUSE B (10A)	3	--	--	--	A	----	2	98200-21000	0562793
		--	4	5	6		----	2	98200-21000	0562793

VF1100C'83 ENGINE NO.; SC12E-2000039 TO 2018597  
 VF1100C'83 FRAME NO.; SC120-DM000029 TO DM017677  
 VF1100C'84 ENGINE NO.; SC12E-2100001 TO 2116075  
 VF1100C'84 FRAME NO.; SC120-EA100001 TO EA117064

VF1100C'84 ENGINE NO.; SC12E-2102298 TO 2114635  
 VF1100C'84 FRAME NO.; SC121-EA100004 TO EA117067  
 VF1100C'85 ENGINE NO.; SC12E-2200001 TO 2208055  
 VF1100C'85 FRAME NO.; SC120-FA200006 TO FA208465

# RADIATOR



F14MB4D31

Ref No	BLOCK NO DESCRIPTION	VF1100C				AREA CODE	FRAME SERIAL NUMBER FROM TO	QTY REQ	PART NUMBER	HONDA CODE
		1	2	3	4					
		1	1	1	1					
		9	9	9	9					
		8	8	8	8					
		3	4	5	6					
1	SPRING, FUEL TUBE COVER	3	--	--	--	A	----	1	17532-404-000	0358630
		--	4	5	--		----	1	17532-404-000	0358630
	SPRING, OVERFLOW TUBE COVER	--	--	--	6		----	1	19106-MB4-830	2249993
2	RADIATOR COMP.	3	--	--	--	A	----	1	19010-MB4-004	1386739
		--	4	5	--		----	1	19010-MB4-004	1386739
	RADIATOR COMP.	--	--	--	6		----	1	19010-MB4-831	2249902
3	SHROUD COMP.	3	--	--	--	A	----	1	19015-MB4-004	1386747
		--	4	5	--		----	1	19015-MB4-004	1386747
	SHROUD COMP.	--	--	--	6		----	1	19015-MB4-831	2249936
4	FAN, COMP., COOLING	3	--	--	--	A	----	1	19020-MB0-702	1303676
		--	4	5	--		----	1	19020-MB0-702	1303676
	FAN COMP., COOLING	--	--	--	6		----	1	19020-MK3-003	2028389
5	MOTOR, COOLING FAN	3	--	--	--	A	----	1	19030-MB0-405	4350500
		--	4	5	--		----	1	19030-MB0-405	4350500
	MOTOR, FAN (PANASONIC)	3	--	--	--	A	----	1	19030-MB0-701	1412089
		--	4	5	--		----	1	19030-MB0-701	1412089
	MOTOR, FAN (PANASONIC)	--	--	--	6		----	1	19030-MB4-831	2249944

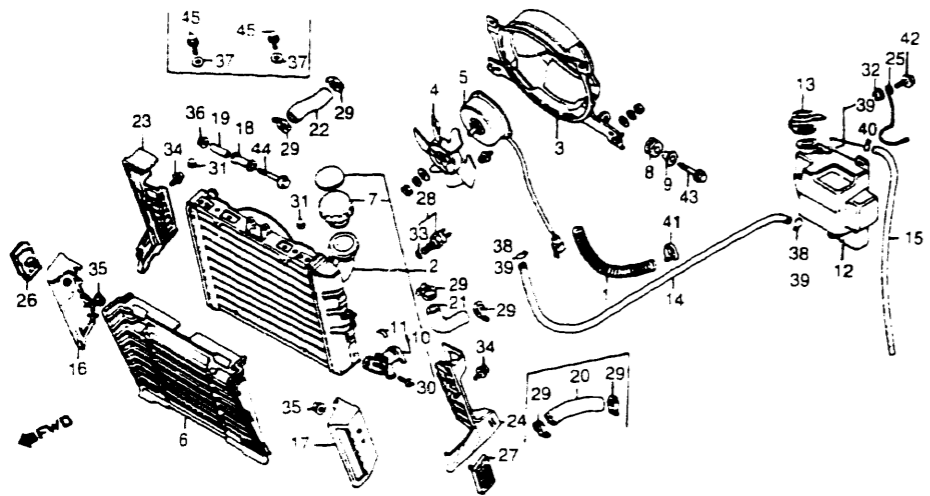
VF1100C'85 ENGINE NO.; SC12E-2200001 TO 2206580  
 VF1100C'85 FRAME NO.; SC121-FA200001 TO FA206845  
 VF1100C'86 ENGINE NO.; SC12E-2300020 TO 2304336  
 VF1100C'86 FRAME NO.; SC120-GM300101 TO GM304425

VF1100C'86 ENGINE NO.; SC12E-2300001 TO 2302532  
 VF1100C'86 FRAME NO.; SC121-GM301306 TO GM302625

# CONTENTS

TITLE	PAGE	GRID
AIR CLEANER	156	1-4
BATTERY	152	1-2
BRAKE CALIPER, FR.	114	1-G7
BRAKE CALIPER, RR.	124	1-G12
BRAKE CONTROL LEVER	88	1-F6
BRAKE MASTER CYL., FR.	88	1-F6
BRAKE MASTER CYL., RR.	121	1-G10
BRAKE PEDAL	164	1-8
CABLES	85	1-F4
CANISTER 84-85	202	1-K3
CANISTER 86	204	1-K4
CLUTCH CONTROL LEVER	92	1-F8
CLUTCH MASTER CYLINDER	92	1-F8
DRIVE SHAFT	172	1-12
FENDER, FR.	105	1-G2
FENDER, RR.	178	1-J3
FINAL DRIVEN GEAR	130	1-H3
FOOTPEGS	166	1-9
FRAME	196	1-J12
FUEL PUMP	152	1-2
FUEL TANK	136	1-H6
GEARSHIFT PEDAL	164	1-8
HANDLEBAR	96	1-F10
HEADLIGHT	78	1-F1
HORN	100	1-F12
IGNITION COIL	188	1-J8
INSTRUMENTS	80	1-F2
MAIN STAND	169	1-10
MUFFLER	160	1-6
RADIATOR	191	1-J9
RECTIFIER	144	1-H10
SEAT	141	1-H8
SHOCK ABSORBER	175	1-J1
SHOCK ABSORBER, FR.	106	1-G3
SIDE COVER	144	1-H10
SIDE STAND	169	1-10
SPARK UNIT	178	1-J3
STEERING STEM	100	1-F12
SWINGARM	172	1-12
SWITCHES	85	1-F4
TAILLIGHT	185	1-J6
TOOLS	200	1-K2
TOP BRIDGE	96	1-F10
TURN SIGNAL	180	1-J4
WHEEL, FR.	118	1-G9
WHEEL, RR.	127	1-H1
WIRE HARNESS	188	1-J8

# RADIATOR



F14MB4D31

3 = VF1100C'83  
 4 = VF1100C'84  
 5 = VF1100C'85  
 6 = VF1100C'86

Ref. No.	BLOCK NO. DESCRIPTION	VF1100C						AREA CODE	FRAME SERIAL NUMBER		QTY REQ	PART NUMBER	HONDA CODE
		1	2	3	4	5	6		FROM	TO			
	15 TUBE, OVERFLOW	3						A			1	19108-MB4-000	1391085
	TUBE, 7X600 (BULK HOSE: 95005-70003-30M)					6					1	95005-70600-30	1762301
	16 COVER, R. RADIATOR	3						A			1	19110-MB4-000	1386788
	17 COVER, L. RADIATOR	3						A			1	19111-MB4-000	1386796
	COVER, L. RADIATOR	3						A			1	19111-MB4-830	2250009
	18 RUBBER, RADIATOR SETTING	3						A			1	19113-MB0-000	1245539
	19 COLLAR, RADIATOR SETTING	3						A			1	19114-MB0-000	1245547
	20 HOSE A, RADIATOR	3						A			1	19115-MB4-000	1386804
	21 HOSE A, RADIATOR					6					1	19115-MB4-830	2250017
	22 HOSE B, RADIATOR	3						A			1	19116-MB4-000	1386812
	23 COVER, R. RR. RADIATOR	3						A			1	19118-MB4-000	1386820
	24 COVER, L. RR. RADIATOR	3						A			1	19119-MB4-000	1386838
	COVER, L. RR. RADIATOR	3						A			1	19119-MB4-830	2250025
	25 CLIP, R. CABLE	3						A			1	32415-MB4-000	1413491
	26 REFLECTOR, R. FR. REFLEX	3						A			1	33740-MB0-003	1260579
	27 REFLECTOR, L. FR. REFLEX	3						A			1	33741-MB0-003	1260587
	28 THERMOSWITCH ASSY.	3						A			1	37760-MC7-003	1215458
	THERMOSWITCH ASSY.					6					1	37760-MB4-770	1550086
	29 CLAMP, WATER HOSE	3						A			4	50228-MB0-000	1243328
	CLAMP, WATER HOSE					6					4	19503-MB1-870	1707991
	30 BOLT, RADIATOR VALVE SETTING					6					1	90120-MB4-830	2268183
	31 NUT, CAP, 6MM					6					2	90202-ZV0-000	1816453

# CONTENTS

TITLE	PAGE	GRID
AIR CLEANER	156	1-14
BATTERY	152	1-12
BRAKE CALIPER FR.	114	1-G7
BRAKE CALIPER RR.	124	1-G12
BRAKE CONTROL LEVER	88	1-F6
BRAKE MASTER CYL. FR.	88	1-F6
BRAKE MASTER CYL. RR.	121	1-G10
BRAKE PEDAL	164	1-H
CABLES	85	1-F4
CANISTER 84-85	202	1-K3
CANISTER 86	204	1-K4
CLUTCH CONTROL LEVER	92	1-F8
CLUTCH MASTER CYLINDER	92	1-F8
DRIVE SHAFT	172	1-I12
FENDER FR.	105	1-G2
FENDER RR.	178	1-J3
FINAL DRIVEN GEAR	130	1-H3
FOOTPEGS	166	1-I9
FRAME	196	1-J12
FUEL PUMP	152	1-I2
FUEL TANK	136	1-H6
GEARSHIFT PEDAL	164	1-H
HANDLEBAR	96	1-F10
HEADLIGHT	78	1-F1
HORN	100	1-F12
IGNITION COIL	188	1-J8
INSTRUMENTS	80	1-F2
MAIN STAND	169	1-I10
MUFFLER	160	1-I6
RADIATOR	191	1-J9
RECTIFIER	144	1-H10
SEAT	141	1-H8
SHOCK ABSORBER	175	1-J1
SHOCK ABSORBER FR.	106	1-G3
SIDE COVER	144	1-H10
SIDE STAND	169	1-I10
SPARK UNIT	178	1-J3
STEERING STEM	100	1-F12
SWINGARM	172	1-I12
SWITCHES	85	1-F4
TAILLIGHT	185	1-J6
TOOLS	200	1-K2
TOP BRIDGE	96	1-F10
TURN SIGNAL	180	1-J4
WHEEL FR.	118	1-G9
WHEEL RR.	127	1-H1
WIRE HARNESS	188	1-J8

Ref. No.	BLOCK NO. DESCRIPTION	VF1100C						AREA CODE	FRAME SERIAL NUMBER		QTY REQ	PART NUMBER	HONDA CODE
		1	2	3	4	5	6		FROM	TO			
	6 GRILLE, RADIATOR	3						A			1	19032-MB4-000	1386754
						6					1	19032-MB4-000	1386754
	7 CAP COMP., RADIATOR (TOYO)	3						A			1	19045-MB0-702	1303684
						6					1	19045-MB0-702	1303684
	8 RUBBER, RADIATOR SETTING	3						A			2	19051-KA4-000	1042266
						6					2	19051-KA4-000	1042266
	9 COLLAR, RADIATOR SETTING	3						A			2	19052-MB0-000	1245398
						6					2	19052-MB0-000	1245398
	10 VALVE ASSY., RADIATOR					6					1	19060-MK3-003	2018794
	11 LABEL, RADIATOR VALVE CAUTION					6					1	19063-MK3-300	2018802
	12 TANK, RESERVE	3						A			1	19101-MB4-000	1386762
						6					1	19101-MB4-000	1386762
	13 CAP, RESERVE TANK	3						A			1	19104-MB0-700	1308071
						6					1	19104-MB0-700	1308071
	14 TUBE, RESERVE TANK	3						A			1	19105-MB4-000	1386770
						6					1	19105-MB4-000	1386770
	TUBE, RESERVE TANK					6					1	19105-MB4-830	2249985

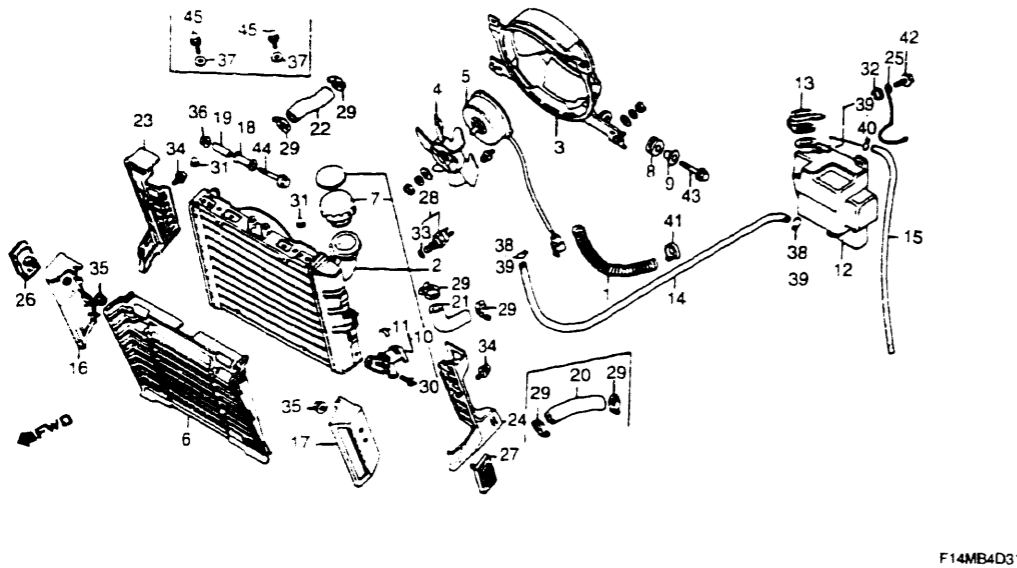
VF1100C'83 ENGINE NO.; SC12E-2000039 TO 2018597  
 VF1100C'83 FRAME NO.; SC120-DM000029 TO DM017677  
 VF1100C'84 ENGINE NO.; SC12E-2100001 TO 2116075  
 VF1100C'84 FRAME NO.; SC120-EA100001 TO EA117064

VF1100C'84 ENGINE NO.; SC12E-2102298 TO 2114635  
 VF1100C'84 FRAME NO.; SC121-EA100004 TO EA117067  
 VF1100C'85 ENGINE NO.; SC12E-2200001 TO 2208055  
 VF1100C'85 FRAME NO.; SC120-FA200006 TO FA208465

VF1100C'85 ENGINE NO.; SC12E-2200001 TO 2206580  
 VF1100C'85 FRAME NO.; SC121-FA200001 TO FA206845  
 VF1100C'86 ENGINE NO.; SC12E-2300020 TO 2304336  
 VF1100C'86 FRAME NO.; SC120-GM300101 TO GM304425

VF1100C'86 ENGINE NO.; SC12E-2300001 TO 2302532  
 VF1100C'86 FRAME NO.; SC121-GM301306 TO GM302625

# RADIATOR



Ref. No.	BLOCK NO. DESCRIPTION	VF1100C				AREA	FRAME SERIAL NUMBER		QTY REQ	PART NUMBER	HONDA CODE
		1	1	1	1		FROM	TO			
	3 = VF1100C'83 4 = VF1100C'84 5 = VF1100C'85 6 = VF1100C'86	1	1	1	1						
		9	9	9	9						
		8	8	8	8						
		3	4	5	6						
32	WASHER, 6X20	3				A			1	90512-300-000 0191494	
			4	5	6				1	90512-300-000 0191494	
33	O-RING, 13.5X1.4	3				A			1	91307-PH7-660 2514651	
			4	5	6				1	91307-PH7-660 2514651	
	O-RING, 12.5X1.4	3				A			1	91307-611-000 0347906	
			4	5	6				1	91307-611-000 0347906	
34	SCREW-WASHER, 5X12	3				A			2	93893-05012-07 0692665	
			4	5	6				2	93893-05012-07 0692665	
35	NUT, FLANGE, 5MM	3				A			2	94050-05080 0612671	
			4	5	6				2	94050-05080 0612671	
36	NUT, FLANGE, 6MM	3				A			1	94050-06000 0471623	
			4	5	6				1	94050-06000 0471623	
37	WASHER, PLAIN, 6MM	3				A			2	94101-06200 0059089	
			4	5					2	94101-06200 0059089	
38	CLIP, TUBE, B12.5				6				2	95002-02130 0323352	
39	CLIP, TUBE, C11	3				A			3	95002-70000 0053595	
			4	5					3	95002-70000 0053595	
40	CLIP, TUBE, C12				6				1	95002-80000 0073700	

Ref. No.	BLOCK NO. DESCRIPTION	VF1100C				AREA	FRAME SERIAL NUMBER		QTY REQ	PART NUMBER	HONDA CODE
		1	1	1	1		FROM	TO			
	3 = VF1100C'83 4 = VF1100C'84 5 = VF1100C'85 6 = VF1100C'86	1	1	1	1						
		9	9	9	9						
		8	8	8	8						
		3	4	5	6						
41	BAND A2, WIRE				6				1	95014-61200 0255679	
42	BOLT, FLANGE, 6X14	3				A			1	95700-06014-00 0671198	
			4	5	6				1	95700-06014-00 0671198	
	BOLT, FLANGE, 6X14	3				A			1	95701-06014-00 2410884	
			4	5	6				1	95701-06014-00 2410884	
43	BOLT, FLANGE, 6X25	3				A			2	95700-06025-07 0721076	
			4	5	6				2	95700-06025-07 0721076	
	BOLT, FLANGE, 6X25	3				A			2	95701-06025-07 2449122	
			4	5	6				2	95701-06025-07 2449122	
44	BOLT, FLANGE, 6X40	3				A			1	95700-06040-00 0483966	
			4	5	6				1	95700-06040-00 0483966	
	BOLT, FLANGE, 6X40	3				A			1	95701-06040-00 2410942	
			4	5	6				1	95701-06040-00 2410942	
45	BOLT, FLANGE, 6X10	3				A			2	96000-06010-02 0807305	
			4	5					2	96000-06010-02 0807305	
	BOLT, FLANGE, 6X10	3				A			2	96001-06010-02 2649663	
			4	5					2	96001-06010-02 2649663	

# CONTENTS

TITLE	PAGE	GRID
AIR CLEANER	156	1-I4
BATTERY	152	1-I2
BRAKE CALIPER, FR.	114	1-G7
BRAKE CALIPER, RR.	124	1-G12
BRAKE CONTROL LEVER	88	1-F6
BRAKE MASTER CYL. FR.	88	1-F6
BRAKE MASTER CYL. RR.	121	1-G10
BRAKE PEDAL	164	1-I8
CABLES	85	1-F4
CANISTER 84-85	202	1-K3
CANISTER 86	204	1-K4
CLUTCH CONTROL LEVER	92	1-F8
CLUTCH MASTER CYLINDER	92	1-F8
DRIVE SHAFT	172	1-I12
FENDER, FR.	105	1-G2
FENDER, RR.	178	1-J3
FINAL DRIVEN GEAR	130	1-H3
FOOTPEGS	166	1-I9
FRAME	196	1-J12
FUEL PUMP	152	1-I2
FUEL TANK	136	1-H6
GEARSHIFT PEDAL	164	1-I8
HANDLEBAR	96	1-F10
HEADLIGHT	78	1-F1
HORN	100	1-F12
IGNITION COIL	188	1-J8
INSTRUMENTS	80	1-F2
MAIN STAND	169	1-I10
MUFFLER	160	1-I6
RADIATOR	191	1-J9
RECTIFIER	144	1-H10
SEAT	141	1-H8
SHOCK ABSORBER	175	1-J1
SHOCK ABSORBER, FR.	106	1-G3
SIDE COVER	144	1-H10
SIDE STAND	169	1-I10
SPARK UNIT	178	1-J3
STEERING STEM	100	1-F12
SWINGARM	172	1-I12
SWITCHES	85	1-F4
TAILLIGHT	185	1-J6
TOOLS	200	1-K2
TOP BRIDGE	96	1-F10
TURN SIGNAL	180	1-J4
WHEEL, FR.	118	1-G9
WHEEL, RR.	127	1-H1
WIRE HARNESS	188	1-J8

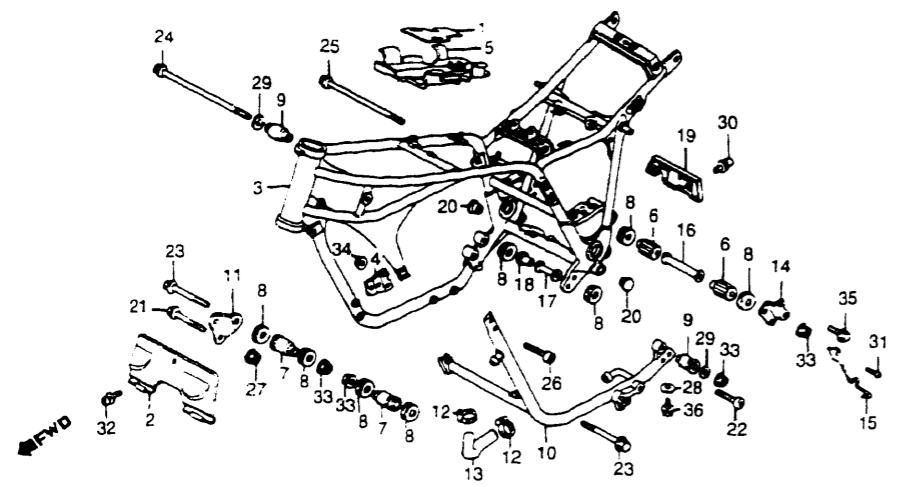
VF1100C'83 ENGINE NO.; SC12E-2000039 TO 2018597  
 VF1100C'83 FRAME NO.; SC120-DM000029 TO DM017677  
 VF1100C'84 ENGINE NO.; SC12E-2100001 TO 2116075  
 VF1100C'84 FRAME NO.; SC12E-EA100001 TO EA117064

VF1100C'84 ENGINE NO.; SC12E-2102298 TO 2114635  
 VF1100C'84 FRAME NO.; SC121-EA100004 TO EA117067  
 VF1100C'85 ENGINE NO.; SC12E-2200001 TO 2208055  
 VF1100C'85 FRAME NO.; SC120-FA200006 TO FA208465

VF1100C'85 ENGINE NO.; SC12E-2200001 TO 2206580  
 VF1100C'85 FRAME NO.; SC121-FA200001 TO FA206845  
 VF1100C'86 ENGINE NO.; SC12E-2300020 TO 2304336  
 VF1100C'86 FRAME NO.; SC120-GM300101 TO GM304425

VF1100C'86 ENGINE NO.; SC12E-2300001 TO 2302532  
 VF1100C'86 FRAME NO.; SC121-GM301306 TO GM302625

**FRAME**



F14MB4D32

Ref. No.	BLOCK NO. DESCRIPTION	VF1100C				AREA CODE	FRAME SERIAL NUMBER		QTY REQ	PART NUMBER	HONDA CODE
		1	9	8	3		FROM	TO			
	3 = VF1100C'83 4 = VF1100C'84 5 = VF1100C'85 6 = VF1100C'86	1	9	8	3						
1	SEAT, FUEL TANK	3	--	--	--	A	----	1	17559-MB1-000	1260272	
	SEAT, FUEL TANK	3	--	--	6	A	----	1	17559-MB1-010	1654086	
		--	4	5	6		----	1	17559-MB1-010	1654086	
2	PLATE, CARBURETOR HEAT GUARD	3	--	--	--	A	----	1	19125-MB4-000	1386846	
		--	4	5	6		----	1	19125-MB4-000	1386846	
3	FRAME COMP. *NH1* (BLACK)	3	--	--	--	A	----	1	50100-MB4-000ZA	1384833	
	FRAME COMP. *NH1* (BLACK)	3	--	--	--	A	----	1	50100-MB4-010ZA	1594647	
	FRAME COMP. *NH1* (BLACK)	3	4	--	--	A	----	1	50100-MB4-020ZA	1761485	
	FRAME COMP. *NH1* (BLACK)	3	4	5	6	A	----	1	50100-MB4-680ZA	1807189	
	FRAME COMP. *NH1* (BLACK)	--	4	--	--	AC	----	1	50100-MB4-880ZA	1546852	
	FRAME COMP. *NH1* (BLACK)	--	--	5	--	AC	----	1	50100-MB4-700ZA	1807197	
	FRAME COMP. *NH1* (BLACK)	--	--	--	6	AC	----	1	50100-MB4-850ZA	2250710	

VF1100C'83 ENGINE NO.; SC12E-2000039 TO 2018597  
 VF1100C'83 FRAME NO.; SC120-DM000029 TO DM017677  
 VF1100C'84 ENGINE NO.; SC12E-2100001 TO 2116075  
 VF1100C'84 FRAME NO.; SC120-EA100001 TO EA117064

VF1100C'84 ENGINE NO.; SC12E-2102298 TO 2114635  
 VF1100C'84 FRAME NO.; SC121-EA100004 TO EA117067  
 VF1100C'85 ENGINE NO.; SC12E-2200001 TO 2208055  
 VF1100C'85 FRAME NO.; SC120-FA200006 TO FA208465

Ref. No.	BLOCK NO. DESCRIPTION	VF1100C				AREA CODE	FRAME SERIAL NUMBER		QTY REQ	PART NUMBER	HONDA CODE
		1	9	8	3		FROM	TO			
	3 = VF1100C'83 4 = VF1100C'84 5 = VF1100C'85 6 = VF1100C'86	1	9	8	3						
4	STAY, L. RADIATOR LOWER	3	--	--	--	A	----	1	50115-MB4-000	1388016	
		--	4	5	6		----	1	50115-MB4-000	1388016	
5	PLATE, FUEL TANK HEAT GUARD	3	--	--	--	A	----	1	50189-MB4-000	1388024	
		--	4	5	6		----	1	50189-MB4-000	1388024	
6	RUBBER A, MOUNTING	3	--	--	--	A	----	2	50201-MB0-000	1248533	
		--	4	5	6		----	2	50201-MB0-000	1248533	
7	RUBBER B, MOUNTING	3	--	--	--	A	----	2	50202-MB0-000	1248541	
		--	4	5	6		----	2	50202-MB0-000	1248541	
8	RUBBER C, MOUNTING	3	--	--	--	A	----	8	50203-MB4-000	1391093	
		--	4	5	6		----	8	50203-MB4-000	1391093	
9	RUBBER D, MOUNTING	3	--	--	--	A	----	2	50206-MB0-000	1248566	
		--	4	5	6		----	2	50206-MB0-000	1248566	
10	SUB FRAME COMP.	3	4	--	--	A	----	1	50210-MB4-000	1388040	
	SUB FRAME COMP.	3	4	5	--	A	----	1	50210-MB4-680	1807205	
	SUB FRAME COMP.	--	4	--	--	AC	----	1	50210-MB4-880	1542711	
	SUB FRAME COMP.	--	--	5	--	AC	----	1	50210-MB4-700	1807213	
	SUB FRAME COMP.	--	--	--	6	A	----	1	50210-MB4-830	2246635	
	FRAME COMP., SUB	--	--	--	6	AC	----	1	50210-MB4-850	2246627	
11	PLATE, FR. ENGINE HANGER	3	--	--	--	A	----	1	50216-MB4-000	1388057	
		--	4	5	6		----	1	50216-MB4-000	1388057	
12	CLAMP, WATER HOSE	3	--	--	--	A	----	2	50228-MB0-000	1243328	
	CLAMP, WATER HOSE	--	4	5	6		----	2	19503-MB1-870	1707991	
13	HOSE, LOWER WATER	3	--	--	--	A	----	1	50242-MB0-000	1248590	
		--	4	5	6		----	1	50242-MB0-000	1248590	
14	PLATE, RR. ENGINE HANGER	3	--	--	--	A	----	1	50356-MB4-000	1388099	
		--	4	5	6		----	1	50356-MB4-000	1388099	
15	CLAMP, CLUTCH HOSE	3	--	--	--	A	----	1	50357-MB4-000	1413657	
		--	4	5	6		----	1	50357-MB4-000	1413657	
16	COLLAR A, ENGINE HANGER	3	--	--	--	A	----	1	50361-MB0-000	1248715	
		--	4	5	6		----	1	50361-MB0-000	1248715	
17	COLLAR B, ENGINE HANGER	3	--	--	--	A	----	1	50362-MB0-000	1248723	
		--	4	5	6		----	1	50362-MB0-000	1248723	
18	COLLAR C, ENGINE HANGER	3	--	--	--	A	----	1	50363-MB0-000	1248731	
		--	4	5	6		----	1	50363-MB0-000	1248731	
19	PLATE, HEAT GUARD	3	--	--	--	A	----	1	50429-MB4-000	1388107	
		--	4	5	6		----	1	50429-MB4-000	1388107	

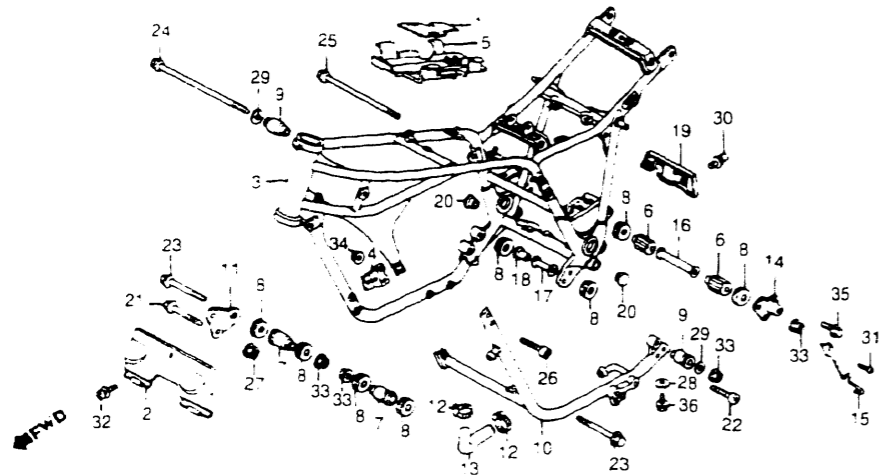
VF1100C'85 ENGINE NO.; SC12E-2200001 TO 2206580  
 VF1100C'85 FRAME NO.; SC121-FA200001 TO FA206845  
 VF1100C'86 ENGINE NO.; SC12E-2300020 TO 2304336  
 VF1100C'86 FRAME NO.; SC120-GM300101 TO GM304425

VF1100C'86 ENGINE NO.; SC12E-2300001 TO 2302532  
 VF1100C'86 FRAME NO.; SC121-GM301306 TO GM302625

**CONTENTS**

TITLE	PAGE	GRID
AIR CLEANER	156	1-I4
BATTERY	152	1-I2
BRAKE CALIPER, FR.	114	1-G7
BRAKE CALIPER, RR.	124	1-G12
BRAKE CONTROL LEVER	88	1-F6
BRAKE MASTER CYL. FR.	88	1-F6
BRAKE MASTER CYL. RR.	121	1-G10
BRAKE PEDAL	164	1-B
CABLES	85	1-F4
CANISTER 84-85	20	1-K3
CANISTER 86	204	1-K4
CLUTCH CONTROL LEVER	92	1-F8
CLUTCH MASTER CYLINDER	92	1-F8
DRIVE SHAFT	172	1-I12
FENDER, FR.	105	1-G2
FENDER, RR.	178	1-J3
FINAL DRIVEN GEAR	130	1-H3
FOOTPEGS	166	1-B
FRAME	196	1-J12
FUEL PUMP	152	1-I2
FUEL TANK	136	1-H6
GEARSHIFT PEDAL	164	1-B
HANDLEBAR	96	1-F10
HEADLIGHT	78	1-F1
HORN	100	1-F12
IGNITION COIL	188	1-J8
INSTRUMENTS	80	1-F2
MAIN STAND	169	1-I10
MUFFLER	160	1-I6
RADIATOR	191	1-J9
RECTIFIER	144	1-H10
SEAT	141	1-H8
SHOCK ABSORBER	175	1-J1
SHOCK ABSORBER, FR.	106	1-G3
SIDE COVER	144	1-H10
SIDE STAND	169	1-I10
SPARK UNIT	178	1-J3
STEERING STEM	100	1-F12
SWINGARM	172	1-I12
SWITCHES	85	1-F4
TAILLIGHT	185	1-J6
TOOLS	200	1-K2
TOP BRIDGE	96	1-F10
TURN SIGNAL	180	1-J4
WHEEL, FR.	118	1-G9
WHEEL, RR.	127	1-H1
WIRE HARNESS	188	1-J8

# FRAME



F14MB4D32

Ref No	BLOCK NO DESCRIPTION	F-32	VF1100C				AREA CODE	FRAME SERIAL NUMBER		QTY REQ	PART NUMBER	HONDA CODE
			1	1	1	1		FROM	TO			
	3 = VF1100C'83 4 = VF1100C'84 5 = VF1100C'85 6 = VF1100C'86		1	1	1	1						
			9	8	8	8						
			3	4	5	6						
20	CAP, MAIN STAND PIPE		3	--	--	--	A	---	---	2	50750-MB0-000 1249200	
			--	4	5	6				2	50750-MB0-000 1249200	
21	BOLT, FLANGE, 8X60		3	--	--	--	A	---	---	2	90017-369-690 1420637	
			--	4	5	6				2	90017-369-690 1420637	
22	BOLT, SOCKET, 10X25		3	--	--	--	A	---	---	2	90101-MB0-000 1250836	
			--	4	--	--				2	90101-MB0-000 1250836	
			--	5	--	--		FA205944		2	90101-MB0-000 1250836	
	BOLT, SOCKET, 10X28		--	5	--	--		FA205945		2	96700-10028-17 2251304	
			--	6	--	--				2	96700-10028-17 2251304	
23	BOLT, FLANGE, 10X65		3	--	--	--	A	---	---	2	90102-MB0-000 1250844	
			--	4	5	--				2	90102-MB0-000 1250844	
	BOLT, FLANGE, 10X67		--	--	--	6				2	90110-MB2-000 1401694	
24	BOLT, FLANGE, 10X355		3	--	--	--	A	---	---	1	90104-MB4-000 1388776	
			--	4	5	6				1	90104-MB4-000 1388776	
25	BOLT, FLANGE, 10X220		3	--	--	--	A	---	---	1	90110-MB0-000 1250968	
			--	4	5	6				1	90110-MB0-000 1250968	
26	BOLT, SOCKET, 10X30		3	--	--	--	A	---	---	2	90152-MB0-000 1251107	
	BOLT, SOCKET, 10X35		--	4	5	6				2	90107-MB0-000 1250935	

Ref No	BLOCK NO DESCRIPTION	F-32	VF1100C				AREA CODE	FRAME SERIAL NUMBER		QTY REQ	PART NUMBER	HONDA CODE
			1	1	1	1		FROM	TO			
	3 = VF1100C'83 4 = VF1100C'84 5 = VF1100C'85 6 = VF1100C'86		1	1	1	1						
			9	8	8	8						
			3	4	5	6						
27	NUT, FLANGE, 8MM		3	--	--	--	A	---	---	2	90208-425-870 0758375	
			--	4	5	6				2	90208-425-870 0758375	
28	WASHER, SEALING, 6MM		3	--	--	--	A	---	---	1	90441-028-010 0014480	
			--	4	5	6				1	90441-028-010 0014480	
29	WASHER, ENGINE HANGER		3	--	--	--	A	---	---	2	90502-MB0-000 1251370	
			--	4	5	6				2	90502-MB0-000 1251370	
30	SCREW-WASHER, 5X12		3	--	--	--	A	---	---	2	93891-05012-07 0860866	
			--	4	5	6				2	93891-05012-07 0860866	
31	SCREW-WASHER, 5X12		3	--	--	--	A	---	---	1	93892-05012-07 0751040	
			--	4	5	6				1	93892-05012-07 0751040	
32	SCREW-WASHER, 5X12		3	--	--	--	A	---	---	1	93893-05012-07 0692665	
			--	4	5	6				1	93893-05012-07 0692665	
33	NUT, FLANGE, 10MM		3	--	--	--	A	---	---	4	94050-10000 0483867	
			--	4	5	6				4	94050-10000 0483867	
34	NUT, FLANGE, 10MM		3	--	--	--	A	---	---	2	94050-10080 0623405	
			--	4	5	6				2	94050-10080 0623405	
35	BOLT, FLANGE, 8X16		3	--	--	--	A	---	---	2	95700-08016-07 1251891	
			--	4	5	6				2	95700-08016-07 1251891	
	BOLT, FLANGE, 8X16		3	--	--	--	A	---	---	2	95701-08016-07 2724003	
			--	4	5	6				2	95701-08016-07 2724003	
36	BOLT, FLANGE, 6X10		3	--	--	--	A	---	---	1	96000-06010-07 1260959	
			--	5	--	--		FA204860		1	96000-06010-07 1260959	
			--	--	--	6				1	96000-06010-07 1260959	
	BOLT, FLANGE, 6X10		3	--	--	--	A	---	---	1	96001-06010-07 2154664	
			--	--	5	--		FA204860		1	96001-06010-07 2154664	
			--	--	--	6				1	96001-06010-07 2154664	
	BOLT, FLANGE, 6X6		--	4	--	--				1	90105-MB4-000 1716109	
			--	--	5	--		FA204859		1	90105-MB4-000 1716109	

# CONTENTS

TITLE	PAGE	GRID
AIR CLEANER	156	1-I4
BATTERY	152	1-I2
BRAKE CALIPER, FR	114	1-G7
BRAKE CALIPER, RR	124	1-G12
BRAKE CONTROL LEVER	88	1-F6
BRAKE MASTER CYL. FR	88	1-F6
BRAKE MASTER CYL. RR	121	1-G10
BRAKE PEDAL	164	1-I8
CABLES	85	1-F4
CANISTER 84-85	202	1-K3
CANISTER 86	204	1-K4
CLUTCH CONTROL LEVER	92	1-F8
CLUTCH MASTER CYLINDER	92	1-F8
DRIVE SHAFT	172	1-I12
FENDER, FR	105	1-G2
FENDER, RR	178	1-J3
FINAL DRIVEN GEAR	130	1-H3
FOOTPEGS	161	1-I9
FRAME	196	1-J12
FUEL PUMP	152	1-I2
FUEL TANK	136	1-H6
GEARSHIFT PEDAL	164	1-I8
HANDLEBAR	96	1-F10
HEADLIGHT	78	1-F1
HORN	100	1-F12
IGNITION COIL	188	1-J8
INSTRUMENTS	80	1-F2
MAIN STAND	169	1-I10
MUFFLER	160	1-I6
RADIATOR	191	1-J9
RECTIFIER	144	1-H10
SEAT	141	1-H8
SHOCK ABSORBER	175	1-J1
SHOCK ABSORBER, FR	106	1-G3
SIDE COVER	144	1-H10
SIDE STAND	169	1-I10
SPARK UNIT	178	1-J3
STEERING STEM	100	1-F12
SWINGARM	172	1-I12
SWITCHES	85	1-F4
TAILLIGHT	185	1-J6
TOOLS	200	1-K2
TOP BRIDGE	96	1-F10
TURN SIGNAL	180	1-J4
WHEEL, FR	118	1-G9
WHEEL, RR	127	1-H1
WIRE HARNESS	188	1-J8

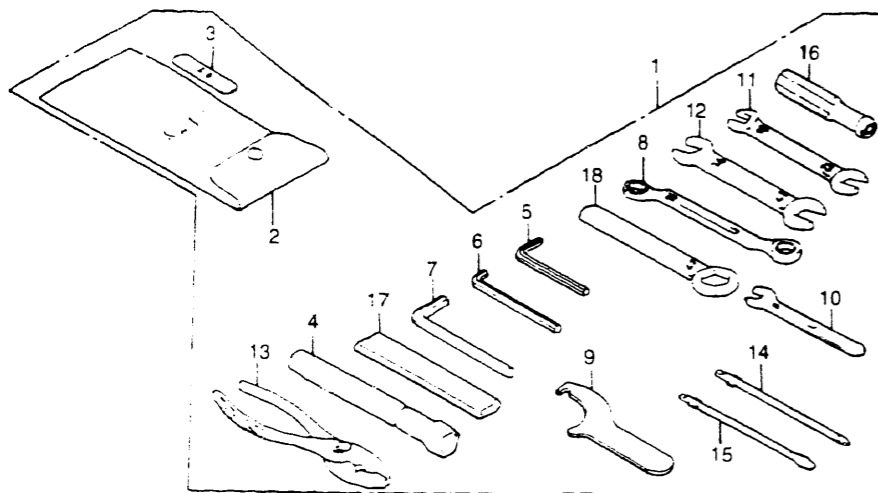
VF1100C'83 ENGINE NO.; SC12E-2000039 TO 2018597  
 VF1100C'83 FRAME NO.; SC120-DM000029 TO DM017677  
 VF1100C'84 ENGINE NO.; SC12E-2100001 TO 2116075  
 VF1100C'84 FRAME NO.; SC120-EA100001 TO EA117064

VF1100C'84 ENGINE NO.; SC12E-2102298 TO 2114635  
 VF1100C'84 FRAME NO.; SC121-EA100004 TO EA117067  
 VF1100C'85 ENGINE NO.; SC12E-2200001 TO 2208055  
 VF1100C'85 FRAME NO.; SC120-FA200006 TO FA208465

VF1100C'85 ENGINE NO.; SC12E-2200001 TO 2206580  
 VF1100C'85 FRAME NO.; SC121-FA200001 TO FA206845  
 VF1100C'86 ENGINE NO.; SC12E-2300020 TO 2304336  
 VF1100C'86 FRAME NO.; SC120-GM300101 TO GM304425

VF1100C'86 ENGINE NO.; SC12E-2300001 TO 2302532  
 VF1100C'86 FRAME NO.; SC121-GM301306 TO GM302625

# TOOLS



F14MB4D33

Ref. No.	BLOCK NO. DESCRIPTION	VF1100C				AREA CODE	FRAME SERIAL NUMBER		QTY REQ	PART NUMBER	HONDA CODE
		1	2	3	4		FROM	TO			
	3 = VF1100C'83 4 = VF1100C'84 5 = VF1100C'85 6 = VF1100C'86	1	1	1	1						
		9	9	9	9						
		8	8	8	8						
		3	4	5	6						
1	TOOL SET	3	---	---	---	A	---	---	1	89010-MB4-000 1391119	
2	BAG, TOOL	3	---	---	---	A	---	---	1	89101-ME5-670 1669480	
	BAG, TOOL	3	---	---	---	A	---	---	1	89101-ME5-670 1669480	
	BAG, TOOL	3	---	---	---	A	---	---	1	89101-300-010 0192369	
	BAG, TOOL, 200MM	3	---	---	---	A	---	---	1	99008-02000 0268185	
3	GAUGE, FEELER, 0.7	3	---	---	---	A	---	---	1	89103-371-000 0443663	
4	WRENCH, PLUG	3	---	---	---	A	---	---	1	89216-MB0-000 1260751	
5	WRENCH, HEX., 5MM	3	---	---	---	A	---	---	1	89221-429-000 0786046	
6	WRENCH, HEX., 6MM	3	---	---	---	A	---	---	1	89221-460-840 1113018	
7	WRENCH, HEX., 8MM	3	---	---	---	A	---	---	1	89222-371-000 0408724	

Ref. No.	BLOCK NO. DESCRIPTION	VF1100C				AREA CODE	FRAME SERIAL NUMBER		QTY REQ	PART NUMBER	HONDA CODE
		1	2	3	4		FROM	TO			
	3 = VF1100C'83 4 = VF1100C'84 5 = VF1100C'85 6 = VF1100C'86	1	1	1	1						
		9	9	9	9						
		8	8	8	8						
		3	4	5	6						
8	WRENCH, EYE, 10X12	3	---	---	---	A	---	---	1	89227-461-000 0918813	
9	OPEN END WRENCH, PIN	3	---	---	---	A	---	---	1	89230-MB1-000 1250786	
10	OPEN END WRENCH 8MM	3	---	---	---	A	---	---	1	99001-08000 0342766	
11	OPEN END WRENCH 10X12	3	---	---	---	A	---	---	1	99001-10120 0187559	
12	OPEN END WRENCH 14X17	3	---	---	---	A	---	---	1	99001-14170 0187567	
13	PLIERS, 135	3	---	---	---	A	---	---	1	99002-13500 0069252	
14	DRIVER 1, PLUS SCREW (NO.2)	3	---	---	---	A	---	---	1	99003-10000 0052423	
15	DRIVER 3, MINUS SCREW (NO.2)	3	---	---	---	A	---	---	1	99003-30000 0052449	
16	GRIP	3	---	---	---	A	---	---	1	99003-50000 0052464	
17	HANDLE, EYE WRENCH, 120MM	3	---	---	---	A	---	---	1	99006-12000 0270496	
18	WRENCH, EYE, 27MM	3	---	---	---	A	---	---	1	99006-27000 1311539	

CONTENTS		
TITLE	PAGE	GRID
AIR CLEANER	156	1-I4
BATTERY	152	1-I2
BRAKE CALIPER FR.	114	1-G7
BRAKE CALIPER RR.	124	1-G12
BRAKE CONTROL LEVER	88	1-F6
BRAKE MASTER CYL. FR.	88	1-F6
BRAKE MASTER CYL. RR.	121	1-G10
BRAKE PEDAL	164	1-I8
CABLES	85	1-F4
CANISTER 84-85	202	1-K3
CANISTER 86	204	1-K4
CLUTCH CONTROL LEVER	92	1-F8
CLUTCH MASTER CYLINDER	92	1-F8
DRIVE SHAFT	172	1-I12
FENDER FR.	105	1-G2
FENDER RR.	178	1-J3
FINAL DRIVEN GEAR	130	1-H3
FOOTPEGS	166	1-I9
FRAME	196	1-J12
FUEL PUMP	152	1-I2
FUEL TANK	136	1-H6
GEARSHIFT PEDAL	164	1-I8
HANDLEBAR	96	1-F10
HEADLIGHT	78	1-F1
HORN	100	1-F12
IGNITION COIL	188	1-J8
INSTRUMENTS	80	1-F2
MAIN STAND	169	1-I10
MUFFLER	160	1-I6
RADIATOR	191	1-J9
RECTIFIER	144	1-H10
SEAT	141	1-H8
SHOCK ABSORBER	175	1-J1
SHOCK ABSORBER FR.	106	1-G3
SIDE COVER	144	1-H10
SIDE STAND	169	1-I10
SPARK UNIT	178	1-J3
STEERING STEM	100	1-F12
SWINGARM	172	1-I12
SWITCHES	85	1-F4
TAILLIGHT	185	1-J6
TOOLS	200	1-K2
TOP BRIDGE	96	1-F10
TURN SIGNAL	180	1-J4
WHEEL FR.	118	1-G9
WHEEL RR.	127	1-H1
WIRE HARNESS	188	1-J8

VF1100C'83 ENGINE NO.; SC12E-2000039 TO 2018597  
 VF1100C'83 FRAME NO.; SC120-DM000029 TO DM017677  
 VF1100C'84 ENGINE NO.; SC12E-2100001 TO 2116075  
 VF1100C'84 FRAME NO.; SC120-EA100001 TO EA117064

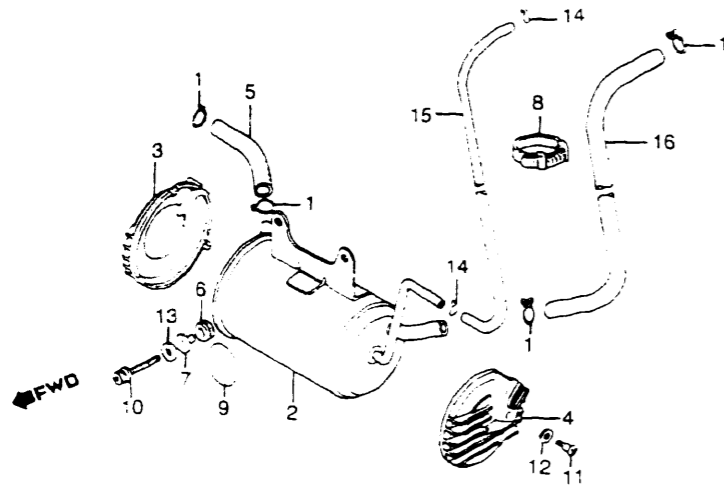
VF1100C'84 ENGINE NO.; SC12E-2102298 TO 2114635  
 VF1100C'84 FRAME NO.; SC121-EA100004 TO EA117067  
 VF1100C'85 ENGINE NO.; SC12E-2200001 TO 2208055  
 VF1100C'85 FRAME NO.; SC120-FA200006 TO FA208465

VF1100C'85 ENGINE NO.; SC12E-2200001 TO 2206580  
 VF1100C'85 FRAME NO.; SC121-FA200001 TO FA206845  
 VF1100C'86 ENGINE NO.; SC12E-2300020 TO 2304336  
 VF1100C'86 FRAME NO.; SC120-GM300101 TO GM304425

VF1100C'86 ENGINE NO.; SC12E-2300001 TO 2302532  
 VF1100C'86 FRAME NO.; SC121-GM301306 TO GM302625



# CANISTER - 84-85



"CAUTION OR WARNING LABELS MUST BE ORDERED SEPARATELY WHEN APPLICABLE"

F14MB4D34

Ref. No.	BLOCK NO. DESCRIPTION	VF1100C				AREA CODE	FRAME SERIAL NUMBER		QTY REQ	PART NUMBER	HONDA CODE
		1	1	1	1		FROM	TO			
		9	8	8	8						
		3	4	5	6						
1	CLIP, BREATHER TUBE	--	4	5	--	AC			4	15772-500-010	0346569
	CLIP, BREATHER TUBE	--	4	5	--	AC			4	15772-500-013	0484089
2	CANISTER COMP.	--	4	5	--	AC			1	17410-MB4-881	1726413
3	COVER, R. CANISTER	--	4	5	--	AC			1	17411-MB4-880	1707918
4	COVER, L. CANISTER	--	4	5	--	AC			1	17412-MB4-880	1726546
5	TUBE, CANISTER BREATHER	--	4	5	--	AC			1	17413-MB4-880	1546274
6	RUBBER, CANISTER SETTING	--	4	5	--	AC			2	19051-MB4-880	1781509
7	COLLAR, CANISTER SETTING	--	4	5	--	AC			2	19052-MB4-880	1781517
8	BAND B1, WIRE	--		5	--	AC			1	32161-404-610	0637728
9	LABEL, JACK UPPER WARNING	--	4	5	--	AC			1	87200-MB1-870	1777168
10	BOLT, FLANGE SOCKET, 6X25	--	4	5	--	AC			2	90097-MB4-880	1782614
11	SCREW, RR. COVER	--	4	5	--	AC			1	90114-GB6-920	1782630
12	WASHER, PLAIN, 6MM	--	4	5	--	AC			1	94101-06700	0294231
13	WASHER, PLAIN, 6MM	--	4	5	--	AC			2	94103-06700	0622324
14	CLIP, TUBE, B8	--	4	5	--	AC			2	95002-02080	0250647

3 = VF1100C'83  
 4 = VF1100C'84  
 5 = VF1100C'85  
 6 = VF1100C'86

Ref. No.	BLOCK NO. DESCRIPTION	VF1100C				AREA CODE	FRAME SERIAL NUMBER		QTY REQ	PART NUMBER	HONDA CODE
		1	1	1	1		FROM	TO			
		9	8	8	8						
		3	4	5	6						
	15 TUBE, 4.5X600 (DULK HOSE: 95005-45008-10M)	--	4	--	--	AC			1	95005-45600-20	1732627
	TUBE, CHARGE	--		5	--	AC			1	17414-MB4-700	1970243
	16 TUBE, 8X480	--	4	5	--	AC			1	95005-80480-20	1764638

# CONTENTS

TITLE	PAGE	GRID
AIR CLEANER	156	1-14
BATTERY	152	1-12
BRAKE CALIPER, FR.	114	1-G7
BRAKE CALIPER, RR.	124	1-G12
BRAKE CONTROL LEVER	88	1-F6
BRAKE MASTER CYL. FR.	88	1-F6
BRAKE MASTER CYL. RR.	121	1-G10
BRAKE PEDAL	164	1-I8
CABLES	85	1-F4
CANISTER 84-85	202	1-K3
CANISTER 86	204	1-K4
CLUTCH CONTROL LEVER	92	1-F8
CLUTCH MASTER CYLINDER	92	1-F8
DRIVE SHAFT	172	1-I12
FENDER, FR.	105	1-G2
FENDER, RR.	178	1-J3
FINAL DRIVEN GEAR	130	1-H3
FOOTPEGS	166	1-I9
FRAME	196	1-J12
FUEL PUMP	152	1-I2
FUEL TANK	136	1-H6
GEARSHIFT PEDAL	164	1-I8
HANDLEBAR	96	1-F1
HEADLIGHT	78	1-F1
HORN	100	1-F12
IGNITION COIL	188	1-J8
INSTRUMENTS	80	1-F2
MAIN STAND	169	1-I10
MUFFLER	160	1-I6
RADIATOR	191	1-J9
RECTIFIER	144	1-H10
SEAT	141	1-H8
SHOCK ABSORBER	175	1-J1
SHOCK ABSORBER, FR.	106	1-G3
SIDE COVER	144	1-H10
SIDE STAND	169	1-I10
SPARK UNIT	178	1-J3
STEERING STEM	100	1-F12
SWINGARM	172	1-I12
SWITCHES	85	1-F4
TAILLIGHT	185	1-J6
TOOLS	200	1-K2
TOP BRIDGE	96	1-F10
TURN SIGNAL	180	1-J4
WHEEL, FR.	118	1-G9
WHEEL, RR.	127	1-H1
WIRE HARNESS	188	1-J8

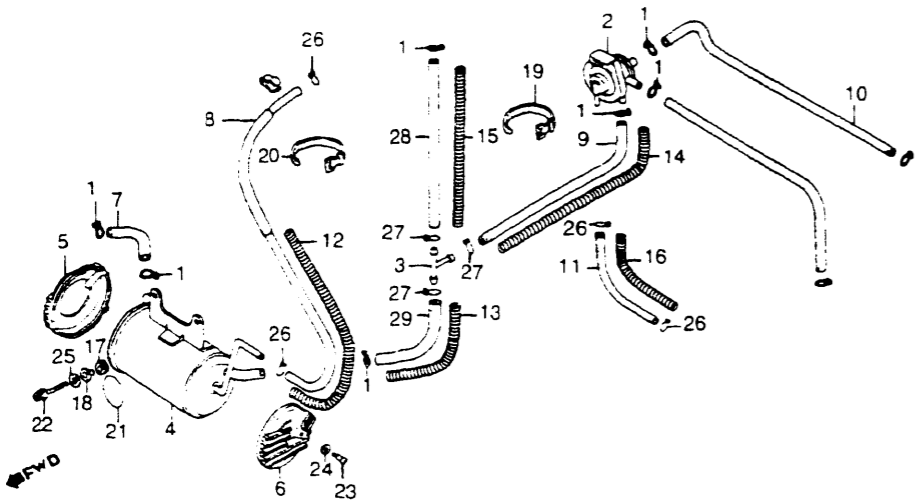
VF1100C'83 ENGINE NO.; SC12E-2000039 TO 2018597  
 VF1100C'83 FRAME NO.; SC120-DM000029 TO DM017677  
 VF1100C'84 ENGINE NO.; SC12E-2100001 TO 2116075  
 VF1100C'84 FRAME NO.; SC120-EA100001 TO EA117064

VF1100C'84 ENGINE NO.; SC12E-2102298 TO 2114635  
 VF1100C'84 FRAME NO.; SC121-EA100004 TO EA117067  
 VF1100C'85 ENGINE NO.; SC12E-2200001 TO 2208055  
 VF1100C'85 FRAME NO.; SC120-FA200006 TO FA208465

VF1100C'85 ENGINE NO.; SC12E-2200001 TO 2206580  
 VF1100C'85 FRAME NO.; SC121-FA200001 TO FA206845  
 VF1100C'86 ENGINE NO.; SC12E-2300020 TO 2304336  
 VF1100C'86 FRAME NO.; SC120-GM300101 TO GM304425

VF1100C'86 ENGINE NO.; SC12E-2300001 TO 2302532  
 VF1100C'86 FRAME NO.; SC121-GM301306 TO GM302625

# CANISTER - 86



"CAUTION OR WARNING LABELS MUST BE ORDERED SEPARATELY WHEN APPLICABLE"

F14MB4D3401

Ref. No.	BLOCK NO. F-34-1	DESCRIPTION	VF1100C				AREA	FRAME SERIAL NUMBER	QTY REQ	PART NUMBER	HONDA CODE
			3	4	5	6					
3 = VF1100C'83 4 = VF1100C'84 5 = VF1100C'85 6 = VF1100C'86			1	1	1	1					
3 = VF1100C'83 4 = VF1100C'84 5 = VF1100C'85 6 = VF1100C'86			9	9	9	9					
3 = VF1100C'83 4 = VF1100C'84 5 = VF1100C'85 6 = VF1100C'86			8	8	8	8					
3 = VF1100C'83 4 = VF1100C'84 5 = VF1100C'85 6 = VF1100C'86			3	4	5	6					
1		CLIP, BREATHER TUBE				6	AC		7	15772-500-010	0346569
		CLIP, BREATHER TUBE				6	AC		7	15772-500-013	0484089
2		VALVE ASSY., AIR VENT CONTROL				6	AC		1	17300-MB4-851	2247161
3		JOINT, BREATHER THREE WAY				6	AC		1	17373-399-760	0832410
4		CANISTER COMP.				6	AC		1	17410-MB4-881	1726413
5		COVER, R. CANISTER				6	AC		1	17411-MB4-880	1707918
6		COVER, L. CANISTER				6	AC		1	17412-MB4-880	1726546
7		TUBE, CANISTER BREATHER				6	AC		1	17413-MB4-850	2249613
8		TUBE, CHARGE				6	AC		1	17414-MB4-850	2249621
9		TUBE, PURGE				6	AC		1	17415-MB4-850	2249639
10		TUBE A, AIR VENT				6	AC		1	17416-MB4-850	2249647
11		TUBE, AIR VENT CONTROL VALVE VACUUM				6	AC		1	17417-MB4-850	2249654
12		SPRING, CHARGE TUBE COVER				6	AC		1	17418-MB4-850	2249662
13		SPRING A, PURGE TUBE COVER				6	AC		1	17419-MB4-850	2247229
14		SPRING C, PURGE TUBE COVER				6	AC		1	17420-MB4-850	2247245

- 3 = VF1100C'83
- 4 = VF1100C'84
- 5 = VF1100C'85
- 6 = VF1100C'86

Ref. No.	BLOCK NO. F-34-1	DESCRIPTION	VF1100C				AREA	FRAME SERIAL NUMBER	QTY REQ	PART NUMBER	HONDA CODE
			3	4	5	6					
3 = VF1100C'83 4 = VF1100C'84 5 = VF1100C'85 6 = VF1100C'86			1	1	1	1					
3 = VF1100C'83 4 = VF1100C'84 5 = VF1100C'85 6 = VF1100C'86			9	9	9	9					
3 = VF1100C'83 4 = VF1100C'84 5 = VF1100C'85 6 = VF1100C'86			8	8	8	8					
3 = VF1100C'83 4 = VF1100C'84 5 = VF1100C'85 6 = VF1100C'86			3	4	5	6					
15		SPRING B, PURGE TUBE COVER				6	AC		1	17421-MB4-850	2247260
16		SPRING, VACUUM TUBE COVER				6	AC		1	17422-MB4-850	2249670
17		RUBBER, CANISTER SETTING				6	AC		2	19051-MB4-880	1781509
18		COLLAR, CANISTER SETTING				6	AC		2	19052-MB4-880	1781517
19		BAND B1, WIRE				6	AC		1	32161-404-610	0637728
20		BAND, WIRE				6	AC		1	32161-438-000	0797068
21		LABEL, JACK UPPER WARNING				6	AC		1	87200-MB1-870	1777168
22		BOLT, FLANGE SOCKET, 6X25				6	AC		2	90097-MB4-880	1782614
23		SCREW, RR. COVER				6	AC		1	90114-GB6-920	1782630
24		WASHER, PLAIN, 6MM				6	AC		1	94101-06700	0294231
25		WASHER, PLAIN, 6MM				6	AC		2	94103-06700	0622324
26		CLIP, TUBE, B8				6	AC		4	95002-02080	0250647
27		CLIP, TUBE, B12.5				6	AC		3	95002-02130	0323352
28		TUBE, 8X210				6	AC		1	95005-80210-24	2251262
29		TUBE, 8X230				6	AC		1	95005-80230-24	2251270

# CONTENTS

TITLE	PAGE	GRID
AIR CLEANER	156	1-I4
BATTERY	152	1-I2
BRAKE CALIPER, FR.	114	1-G7
BRAKE CALIPER, RR.	124	1-G12
BRAKE CONTROL LEVER	88	1-F6
BRAKE MASTER CYL. FR.	88	1-F6
BRAKE MASTER CYL. RR.	121	1-G10
BRAKE PEDAL	164	1-I8
CABLES	85	1-F4
CANISTER 84-85	202	1-K3
CANISTER 86	204	1-K4
CLUTCH CONTROL LEVER	92	1-F8
CLUTCH MASTER CYLINDER	92	1-F8
DRIVE SHAFT	172	1-I12
FENDER, FR.	105	1-G2
FENDER, RR.	178	1-J3
FINAL DRIVEN GEAR	130	1-H3
FOOTPEGS	166	1-I9
FRAME	196	1-J12
FUEL PUMP	152	1-I2
FUEL TANK	136	1-H6
GEARSHIFT PEDAL	164	1-I8
HANDLEBAR	96	1-F10
HEADLIGHT	78	1-F1
HORN	100	1-F12
IGNITION COIL	188	1-J8
INSTRUMENTS	80	1-F2
MAIN STAND	169	1-I10
MUFFLER	160	1-I6
RADIATOR	191	1-J9
RECTIFIER	144	1-H10
SEAT	141	1-H8
SHOCK ABSORBER	175	1-J1
SHOCK ABSORBER, FR.	106	1-G3
SIDE COVER	144	1-H10
SIDE STAND	169	1-I10
SPARK UNIT	178	1-J3
STEERING STEM	100	1-F12
SWINGARM	172	1-I12
SWITCHES	85	1-F4
TAILLIGHT	185	1-J6
TOOLS	200	1-K2
TOP BRIDGE	96	1-F10
TURN SIGNAL	180	1-J4
WHEEL, FR.	118	1-G9
WHEEL, RR.	127	1-H1
WIRE HARNESS	188	1-J8

VF1100C'83 ENGINE NO.; SC12E-2000039 TO 2018597  
 VF1100C'83 FRAME NO.; SC120-DM000029 TO DM017677  
 VF1100C'84 ENGINE NO.; SC12E-2100001 TO 2116075  
 VF1100C'84 FRAME NO.; SC120-EA100001 TO EA117064

VF1100C'84 ENGINE NO.; SC12E-2102298 TO 2114635  
 VF1100C'84 FRAME NO.; SC121-EA100004 TO EA117067  
 VF1100C'85 ENGINE NO.; SC12E-2200001 TO 2208055  
 VF1100C'85 FRAME NO.; SC120-FA200006 TO FA208465

VF1100C'85 ENGINE NO.; SC12E-2200001 TO 2206580  
 VF1100C'85 FRAME NO.; SC121-FA200001 TO FA206845  
 VF1100C'86 ENGINE NO.; SC12E-2300020 TO 2304336  
 VF1100C'86 FRAME NO.; SC120-GM300101 TO GM304425

VF1100C'86 ENGINE NO.; SC12E-2300001 TO 2302532  
 VF1100C'86 FRAME NO.; SC121-GM301306 TO GM302625

## Part Number Index

Part Number	Grid	Page	Part Number	Grid	Page	Part Number	Grid	Page
(0)			12212-MB4-000 . . . . .	1-B4	8	13224-MJ4-010 . . . . .	1-C10	45
061A1-MB4-000 . . . . .	1-E1	74	12212-MB4-010 . . . . .	1-B2	4	13225-MB4-003 . . . . .	1-C10	45
061B1-MB4-T10 . . . . .	1-E1	75		1-B4	8	13225-MJ4-010 . . . . .	1-C10	45
061B1-MB4-000 . . . . .	1-E1	75	12212-MB4-020 . . . . .	1-B2	4	13226-MB4-003 . . . . .	1-C10	45
061B1-MB4-010 . . . . .	1-E1	75		1-B4	9	13226-MJ4-010 . . . . .	1-C10	45
(1)			12212-MB4-030 . . . . .	1-B2	4	13300-MB4-000 . . . . .	1-C10	45
11000-MB4-000 . . . . .	1-C7	38		1-B4	9	13300-MB4-010 . . . . .	1-C10	45
11000-MB4-830 . . . . .	1-C7	38	12220-MB4-000 . . . . .	1-B4	9	13314-MB4-003 . . . . .	1-C11	47
11140-MB4-000 . . . . .	1-C7	38	12220-MB4-010 . . . . .	1-B4	9	13314-MB4-013 . . . . .	1-C11	47
11207-MB0-000 . . . . .	1-C7	38	12220-MB4-020 . . . . .	1-B4	9	13315-MB4-003 . . . . .	1-C11	47
11210-MB4-000 . . . . .	1-C5	34	12220-MB4-830 . . . . .	1-B4	9	13315-MB4-013 . . . . .	1-C11	47
11315-MB4-000 . . . . .	1-C5	34	12230-MB4-010 . . . . .	1-B2	5	13316-MB4-003 . . . . .	1-C11	47
	1-E1	75		1-B4	9	13316-MB4-013 . . . . .	1-C11	47
11330-MB4-000 . . . . .	1-B10	20	12240-MB4-000 . . . . .	1-B2	5	14111-MB4-000 . . . . .	1-B6	12
11330-MB4-830 . . . . .	1-B10	20		1-B2	5	14111-MB4-010 . . . . .	1-B6	12
11341-MB4-000 . . . . .	1-C3	30	12251-MB4-000 . . . . .	1-B4	9	14111-MB4-020 . . . . .	1-B6	12
11342-MB4-000 . . . . .	1-D6	60		1-B4	9	14111-MB4-315 . . . . .	1-B6	12
11342-MB4-770 . . . . .	1-D6	60		1-E1	74	14111-MB4-830 . . . . .	1-B6	12
11343-MB4-000 . . . . .	1-D6	60	12311-MB4-000 . . . . .	1-B1	2	14121-MB4-000 . . . . .	1-B6	12
11345-MB0-000 . . . . .	1-D6	60	12311-MB4-770 . . . . .	1-B1	2	14121-MB4-010 . . . . .	1-B6	12
11346-MB4-770 . . . . .	1-D6	60	12321-MB4-000 . . . . .	1-B1	2	14121-MB4-020 . . . . .	1-B6	12
11394-MB4-000 . . . . .	1-B10	20	12341-MB4-000 . . . . .	1-B1	2	14121-MB4-315 . . . . .	1-B6	12
	1-E1	75	12361-035-000 . . . . .	1-H3	130	14121-MB4-830 . . . . .	1-B6	13
11394-MB4-306 . . . . .	1-B10	20	12361-300-000 . . . . .	1-H3	130	14131-MB4-000 . . . . .	1-B6	13
	1-E1	75	12361-371-980 . . . . .	1-H3	130	14131-MB4-010 . . . . .	1-B6	13
11631-MB4-000 . . . . .	1-C2	28	12391-MB4-000 . . . . .	1-B1	2	14131-MB4-020 . . . . .	1-B6	13
11636-MB4-000 . . . . .	1-C2	28		1-E1	74	14131-MB4-315 . . . . .	1-B6	13
	1-E1	75	13011-MB4-005 . . . . .	1-C9	43	14131-MB4-830 . . . . .	1-B6	13
11641-MB0-000 . . . . .	1-C2	28	13011-ME9-004 . . . . .	1-C9	43	14131-MB4-850 . . . . .	1-B6	13
11642-MB0-000 . . . . .	1-C2	28	13021-MB4-005 . . . . .	1-C9	43	14141-MB4-000 . . . . .	1-B6	13
	1-E1	75	13021-ME9-004 . . . . .	1-C9	43	14141-MB4-010 . . . . .	1-B6	13
12204-MB0-400 . . . . .	1-B1	3	13031-MB4-005 . . . . .	1-C9	43	14141-MB4-020 . . . . .	1-B6	13
	1-B4	8	13031-ME9-004 . . . . .	1-C9	43	14141-MB4-315 . . . . .	1-B6	13
12204-MB2-305 . . . . .	1-B1	3	13101-MB4-000 . . . . .	1-C9	43	14141-MB4-830 . . . . .	1-B6	13
	1-B4	8	13102-MB4-000 . . . . .	1-C9	43	14141-MB4-850 . . . . .	1-B6	13
12209-422-005 . . . . .	1-B6	12	13103-MB4-000 . . . . .	1-C9	43	14321-MB4-000 . . . . .	1-B7	15
	1-E1	74	13111-GK8-000 . . . . .	1-C1	26	14321-MB4-830 . . . . .	1-B7	15
12210-MB4-000 . . . . .	1-B1	3	13111-GS7-000 . . . . .	1-C1	26	14401-MB4-003 . . . . .	1-B7	15
12210-MB4-010 . . . . .	1-B1	3	13111-ME9-000 . . . . .	1-C9	43	14510-MB3-000 . . . . .	1-B7	15
12210-MB4-020 . . . . .	1-B1	3	13111-122-000 . . . . .	1-C1	26	14510-MB3-010 . . . . .	1-B7	15
12210-MB4-830 . . . . .	1-B1	3	13201-MB4-000 . . . . .	1-C10	45	14510-MB3-020 . . . . .	1-B7	15
12211-MB4-000 . . . . .	1-B1	3	13202-MB4-000 . . . . .	1-C10	45	14510-MB3-030 . . . . .	1-B7	15
	1-B4	8	13202-MB4-405 . . . . .	1-C10	45	14510-MB4-000 . . . . .	1-B8	16
12211-MB4-010 . . . . .	1-B1	3	13203-MB4-000 . . . . .	1-C10	45	14510-MB4-010 . . . . .	1-B8	16
	1-B4	8	13204-MB4-0C0 . . . . .	1-C10	45	14514-MB4-000 . . . . .	1-B8	16
	1-B4	8	13205-634-010 . . . . .	1-C10	45	14515-MB0-000 . . . . .	1-B8	16
12211-MB4-020 . . . . .	1-B2	4	13206-MB4-000 . . . . .	1-C10	45	14515-MB0-010 . . . . .	1-B8	16
	1-B4	8	13207-MB4-000 . . . . .	1-C10	45	14520-MB4-000 . . . . .	1-B8	16
	1-B4	8	13208-MB4-000 . . . . .	1-C10	45	14521-MB0-000 . . . . .	1-B8	16
12211-MB4-030 . . . . .	1-B2	4	13209-MB4-000 . . . . .	1-C10	45	14521-MB0-010 . . . . .	1-B8	16
	1-B4	8	13213-MC7-004 . . . . .	1-C10	45	14522-MB4-000 . . . . .	1-B8	17
12212-MB4-000 . . . . .	1-B2	4	13224-MB4-003 . . . . .	1-C10	45	14525-MB0-000 . . . . .	1-B8	17

## Part Number Index

Part Number	Grid	Page	Part Number	Grid	Page	Part Number	Grid	Page
14525-MB0-010 . . . . .	1-B8	17	15772-500-013 . . . . .	1-K4	204	16100-MB4-881 . . . . .	1-D8	65
14525-MB0-020 . . . . .	1-B8	17	16010-MB0-671 . . . . .	1-D11	70	16100-MB4-882 . . . . .	1-D8	65
14526-MB0-000 . . . . .	1-B8	17	16010-MB0-871 . . . . .	1-D11	70	16101-MB4-671 . . . . .	1-D8	65
14530-MB4-000 . . . . .	1-B8	17	16010-MB4-621 . . . . .	1-D11	70	16101-MB4-772 . . . . .	1-D8	65
14533-MB0-000 . . . . .	1-B8	17	16010-MB4-622 . . . . .	1-D11	70	16101-MB4-773 . . . . .	1-D9	66
14540-MB4-000 . . . . .	1-B8	17	16010-MB6-305 . . . . .	1-D11	70	16101-MB4-774 . . . . .	1-D9	66
14541-MB4-000 . . . . .	1-B8	17	16010-MB6-681 . . . . .	1-D11	70	16101-MB4-775 . . . . .	1-D9	66
14550-MB3-000 . . . . .	1-B8	17	16011-MB0-671 . . . . .	1-D11	70	16101-MB4-851 . . . . .	1-D9	66
14550-MB3-010 . . . . .	1-B8	17	16011-MG8-671 . . . . .	1-D11	70	16101-MB4-882 . . . . .	1-D9	66
14550-MB4-000 . . . . .	1-B8	17	16011-MR6-671 . . . . .	1-D11	70	16101-MB4-883 . . . . .	1-D9	66
14550-MB4-010 . . . . .	1-B8	17	16013-MB0-671 . . . . .	1-D11	70	16102-MB4-671 . . . . .	1-D9	66
14560-MB0-000 . . . . .	1-B8	17	16015-MB0-671 . . . . .	1-D11	71	16102-MB4-772 . . . . .	1-D9	66
14560-MB0-870 . . . . .	1-B8	17	16015-MB0-871 . . . . .	1-D11	71	16102-MB4-773 . . . . .	1-D9	66
14560-MB0-871 . . . . .	1-B8	17	16015-MN2-631 . . . . .	1-D11	71	16102-MB4-774 . . . . .	1-D9	67
14560-MB0-872 . . . . .	1-B8	17	16016-MB0-671 . . . . .	1-D11	71	16102-MB4-775 . . . . .	1-D9	67
14560-MB0-873 . . . . .	1-B9	18	16016-ME3-003 . . . . .	1-D11	71	16102-MB4-851 . . . . .	1-D9	67
14611-MB4-000 . . . . .	1-B6	13	16016-MF5-671 . . . . .	1-D11	71	16102-MB4-882 . . . . .	1-D9	66
14611-MB6-010 . . . . .	1-B6	13	16017-MB4-671 . . . . .	1-D8	64	16102-MB4-883 . . . . .	1-D9	66
14631-KE8-000 . . . . .	1-B6	13	16018-MB0-671 . . . . .	1-D8	64	16103-MB4-671 . . . . .	1-D9	67
14711-MB4-000 . . . . .	1-B6	13	16018-MK3-771 . . . . .	1-D8	64	16103-MB4-772 . . . . .	1-D9	67
14711-MB6-000 . . . . .	1-B6	13	16019-MB4-671 . . . . .	1-D8	64	16103-MB4-773 . . . . .	1-D9	67
14721-MB4-000 . . . . .	1-B6	13	16022-MB1-771 . . . . .	1-D8	64	16103-MB4-774 . . . . .	1-D9	67
14751-MB1-871 . . . . .	1-B6	13	16025-MB4-671 . . . . .	1-D8	64	16103-MB4-775 . . . . .	1-D9	67
14751-MB4-003 . . . . .	1-B6	13	16026-MB0-671 . . . . .	1-D8	64	16103-MB4-851 . . . . .	1-D9	67
14761-MB1-871 . . . . .	1-B6	13	16027-MB4-621 . . . . .	1-D8	64	16103-MB4-882 . . . . .	1-D9	67
14761-MB4-003 . . . . .	1-B6	13	16028-KR3-671 . . . . .	1-D8	64	16103-MB4-883 . . . . .	1-D9	67
14771-MB4-000 . . . . .	1-B6	13	16028-MB0-671 . . . . .	1-D8	64	16104-MB4-671 . . . . .	1-D9	67
14771-MB6-000 . . . . .	1-B6	13	16029-MB0-671 . . . . .	1-D11	71	16104-MB4-772 . . . . .	1-D9	67
14775-422-000 . . . . .	1-B7	14	16031-MB0-671 . . . . .	1-D8	65	16104-MB4-773 . . . . .	1-D9	67
14776-MB0-770 . . . . .	1-B7	14	16032-MB4-671 . . . . .	1-D8	65	16104-MB4-774 . . . . .	1-D9	67
14781-MB4-000 . . . . .	1-B7	14	16035-MB4-671 . . . . .	1-D8	65	16104-MB4-775 . . . . .	1-D9	67
15100-MB4-000 . . . . .	1-C5	34	16037-MB4-671 . . . . .	1-D11	71	16104-MB4-851 . . . . .	1-D9	67
15100-MB4-010 . . . . .	1-C5	34	16042-MB1-771 . . . . .	1-D8	65	16104-MB4-882 . . . . .	1-D9	67
15131-MB4-000 . . . . .	1-B11	22	16046-MA6-003 . . . . .	1-D11	71	16104-MB4-883 . . . . .	1-D9	67
15131-MB6-000 . . . . .	1-B11	22	16046-MG9-681 . . . . .	1-D11	71	16107-MB4-671 . . . . .	1-D11	71
15134-MB4-000 . . . . .	1-C5	34	16047-MB0-671 . . . . .	1-D8	65	16107-ME9-671 . . . . .	1-D11	71
15134-MB4-010 . . . . .	1-C5	34	16047-MB0-771 . . . . .	1-D8	65	16111-MB4-671 . . . . .	1-D11	71
15134-MB6-000 . . . . .	1-C5	34	16050-MB4-671 . . . . .	1-D11	71	16111-MB4-771 . . . . .	1-D11	71
15151-MB4-000 . . . . .	1-C5	34	16051-MB4-671 . . . . .	1-D11	71	16112-MB4-771 . . . . .	1-D12	72
15153-MB3-000 . . . . .	1-C5	34	16052-MB0-671 . . . . .	1-D11	71	16131-MB4-671 . . . . .	1-D12	72
15153-MB4-000 . . . . .	1-C5	34	16052-ME9-672 . . . . .	1-D11	71	16131-MB4-771 . . . . .	1-D12	72
15154-425-000 . . . . .	1-C5	35	16053-MB0-671 . . . . .	1-D11	71	16131-MB4-881 . . . . .	1-D12	72
15161-ME5-003 . . . . .	1-C5	35	16080-KE7-003 . . . . .	1-D8	65	16141-MB4-671 . . . . .	1-D9	67
15220-MB0-010 . . . . .	1-C5	35	16080-MB0-671 . . . . .	1-D8	65	16144-MB4-851 . . . . .	1-D9	67
15410-MB0-003 . . . . .	1-C5	35	16090-MB6-681 . . . . .	1-D8	65	16144-MB4-881 . . . . .	1-D9	67
15410-MB3-003 . . . . .	1-C5							

## Part Number Index

Part Number	Grid	Page	Part Number	Grid	Page	Part Number	Grid	Page
16188-MB4-881	1-D10	68	17255-MB4-000	1-I4	157	17531-MB4-830ZA	1-H6	137
16188-MB4-882	1-D10	68	17256-MB4-000	1-I4	157	17531-MB4-830ZB	1-H6	137
16198-MB4-851	1-D10	68	17256-MB4-880	1-I4	157	17532-MB1-000	1-H6	137
16199-MB1-881	1-D10	68	17300-MB4-851	1-K4	204	17532-MB4-680	1-H6	137
16199-MB4-621	1-D10	68	17360-MB4-000	1-I4	157	17532-MB4-770	1-H6	137
16199-MB4-851	1-D10	68	17364-MB4-610	1-I4	157	17532-MB4-830ZA	1-H6	137
16211-MB4-000	1-B2	5	17370-419-700	1-I4	157	17532-MB4-830ZB	1-H7	138
	1-B4	9	17373-399-760	1-K4	204	17532-404-000	1-J9	191
16212-MB6-000	1-B2	5	17410-MB4-881	1-K3	202	17540-MB4-000	1-H7	138
	1-B4	9		1-K4	204	17545-MB4-000	1-H7	138
16212-MB6-010	1-B2	5	17411-MB4-880	1-K3	202	17548-MB1-000	1-H7	138
	1-B4	9		1-K4	204	17550-MB4-000	1-H7	138
16219-MB0-770	1-B2	5	17412-MB4-880	1-K3	202	17551-MB4-000	1-I4	157
	1-B4	9		1-K4	204	17552-MB1-000	1-H7	138
16219-ME9-000	1-B2	5	17413-MB4-850	1-K4	204	17554-MB4-000	1-I4	157
	1-B4	9	17413-MB4-880	1-K3	202	17554-MB4-000	1-I4	157
16223-KS5-000	1-B2	5	17414-MB4-700	1-K3	203	17556-MB4-000	1-I4	157
	1-B4	9	17414-MB4-850	1-K4	204	17558-MB4-000	1-I4	157
16700-MB1-015	1-I2	152	17415-MB4-850	1-K4	204	17559-MB1-000	1-J12	196
16700-MB1-025	1-I2	152	17416-MB4-850	1-K4	204	17559-MB1-010	1-J12	196
16711-605-300	1-I2	152	17417-MB4-850	1-K4	204	17561-MB4-000	1-I4	157
16711-659-320	1-I2	152	17418-MB4-850	1-K4	204	17611-MB1-000	1-H7	138
16712-MB1-000	1-I2	152	17419-MB4-850	1-K4	204	17612-MB1-000	1-H7	138
16715-MB1-000	1-I2	152	17420-MB4-850	1-K4	204	17620-MB1-013	1-H7	138
16900-MB1-930	1-I2	152	17421-MB4-850	1-K4	205	17620-MB1-023	1-H7	138
16900-371-004	1-I2	152	17422-MB4-850	1-K4	205	17620-MB1-033	1-H7	138
16901-MB1-930	1-I2	152	17440-MB4-880	1-D10	68	17620-ME5-761	1-H7	139
16901-MB4-000	1-I2	152	17440-MJ4-770	1-D10	68	17910-MB4-000	1-F4	85
16901-MB4-830	1-I2	152	17448-MB4-850	1-D10	69	17910-MB4-680	1-F4	85
16950-MB4-005	1-H6	136	17451-ME5-760	1-D10	69	17910-MB4-770	1-F4	85
16950-MB4-015	1-H6	136	175A1-MB4-010ZA	1-H6	136	17920-MB4-000	1-F4	85
16955-MB4-000	1-I2	152	175A1-MB4-010ZB	1-H6	136	17920-MB4-680	1-F4	85
16955-MB4-010	1-I2	153	175A1-MB4-771ZA	1-H6	136	17920-MB4-770	1-F4	85
16958-MB4-005	1-H6	136	175A1-MB4-771ZB	1-H6	136	17950-MB4-000	1-F4	85
16959-MB1-000	1-I2	153	175A1-MB4-830ZA	1-H6	137	17950-MB4-680	1-F4	85
16959-MB1-700	1-I2	153	175A1-MB4-830ZB	1-H6	137	17950-MB4-750	1-F4	85
16963-MB4-000	1-H6	136	175A1-MB4-850ZA	1-H6	137	17962-KE8-700	1-F4	85
17205-MB4-000	1-I4	156	175A1-MB4-850ZB	1-H6	137	17962-KE8-701	1-F4	85
17210-MB4-000	1-I4	156	175A1-MB4-880ZA	1-H6	136	17962-ME5-000	1-F4	85
17212-GJ5-000	1-I4	156	175A1-MB4-881ZA	1-H6	137	17963-ME4-000	1-F4	85
17212-GR1-000	1-I4	156	175A1-MB4-881ZB	1-H6	137	17963-ME5-000	1-F8	92
17212-KJ9-000	1-I4	156	175B1-MB4-770ZA	1-H6	137	17965-MB0-300	1-F8	92
17215-393-780	1-B10	20	175B1-MB4-770ZB	1-H6	137	18231-MB4-000	1-I6	160
17219-MB3-000	1-I4	156	175B1-MB4-880ZA	1-H6	137	18291-MN4-920	1-E1	74
17219-MA0-000	1-I4	156	175B1-MB4-880ZB	1-H6	137		1-I6	160
17222-MN4-405	1-I4	156	17505-MB1-000	1-H6	137	18291-236-000	1-E1	74
	1-I4	157	17506-MB1-000	1-H6	137		1-I6	160
17230-MB4-000	1-I4	156	17511-MB1-000	1-H6	137	18292-KF9-900	1-I6	160
17231-MB1-000	1-I4	157	17511-MB4-770	1-H6	137	18292-MM9-740	1-I6	160
17231-MB2-000	1-I4	157	17512-MB4-000	1-I2	153	18292-415-000	1-I6	160
17231-MB4-000	1-I4	157	17519-MB1-000	1-H6	137	18300-MB4-003	1-I6	160
17232-MB4-000	1-I4	157	17531-MB1-000	1-H6	137	18300-MB4-405	1-I6	160
17245-107-010	1-H6	136	17531-MB4-680	1-H6	137	18300-MB4-830	1-I6	160
17251-MB4-000	1-I4	157	17531-MB4-770	1-H6	137	18316-MB4-003	1-I6	160

## Part Number Index

Part Number	Grid	Page	Part Number	Grid	Page	Part Number	Grid	Page
18330-MB4-003	1-I6	161	19115-MB4-000	1-J10	193	21324-MB4-000	1-D6	61
18330-MB4-771	1-I6	161	19115-MB4-830	1-J10	193	21325-MB4-000	1-D6	61
18370-MB4-003	1-I6	161	19116-MB4-000	1-J10	193	21371-MB0-000	1-D6	61
18373-MB4-003	1-I6	161	19118-MB4-000	1-J10	193	21381-MB0-770	1-D6	61
18373-ML8-003	1-I6	161	19119-MB4-000	1-J10	193	21382-MB0-770	1-D6	61
18374-MB4-003	1-I6	161	19119-MB4-830	1-J10	193	21383-MB0-770	1-D6	61
18374-ML8-003	1-I6	161	19125-MB4-000	1-J12	196	21384-MB0-770	1-D6	61
18375-MB4-003	1-I6	161	19200-MB4-000	1-C3	30	21385-MB0-770	1-D6	61
18376-MB4-003	1-I6	161	19200-MB4-010	1-C3	30	22100-MB4-003	1-B11	22
18377-MB4-003	1-I6	161	19220-MB4-000	1-C3	30	22100-MB4-830	1-B11	22
18391-ML8-000	1-I6	161	19226-MB0-000	1-C3	30	22116-MB4-000	1-B11	22
18391-110-000	1-I6	161	19300-MB0-003	1-D4	56	22120-MB4-003	1-B11	22
18391-429-000	1-I6	161	19311-MB1-000	1-D4	56	22120-MB4-013	1-B11	22
18391-429-010	1-I6	161	19315-MB4-000	1-D4	56	22131-MB4-000	1-B11	22
18392-MJ4-670	1-I6	161	19502-MB4-000	1-D4	56	22131-MB4-010	1-B11	23
18392-449-000	1-I6	161	19503-MB1-870	1-J10	193	22141-MB4-000	1-B11	23
18420-MB4-003	1-I6	161		1-J12	197	22151-MB4-000	1-B11	23
18421-MB0-000	1-I6	161	19504-MB4-000	1-D4	56	22151-MB6-010	1-B11	23
18422-MB0-000	1-I6	161	19506-KA4-000	1-D4	56	22201-MN5-020	1-B11	23
18425-MB4-003	1-I7	162	19507-MB4-000	1-D4	56	22201-425-000	1-B11	23
18430-MB4-003	1-I7	162	19508-MB0-000	1-D4	56	22321-425-000	1-B11	23
18430-MB4-771	1-I7	162	19509-MB0-000	1-D4	57	22351-MB4-003	1-B11	23
18532-634-670	1-I4	157	19511-MB1-000	1-D4	57	22351-MB4-013	1-B11	23
18534-634-670	1-I4	157	19511-MB4-680	1-D4	57	22352-MB0-770	1-B11	23
19010-MB4-004	1-J9	191	19512-MB0-000	1-D4	57	22366-MB3-000	1-B11	23
19010-MB4-831	1-J9	191	19512-MB3-003	1-D4	57	22366-MB4-000	1-B11	23
19015-MB4-004	1-J9	191	19516-MJ8-000	1-D4	57	22425-MB4-003	1-B11	23
19015-MB4-831	1-J9	191	19517-MB6-000	1-D4	56	22441-MB4-003	1-B11	23
19020-MB0-702	1-J9	191	19520-MB0-000	1-D4	57	22850-MB4-000	1-B11	23
19020-MK3-003	1-J9	191	19524-MB0-000	1-D4	57	22860-MB0-770	1-C3	30
19030-MB0-405	1-J9	191	19526-MB1-000	1-D4	57	22862-MB0-307	1-C3	30
19030-MB0-701	1-J9	191	19526-MB4-830	1-D4	57		1-E2	76
19030-MB4-831	1-J9	191	19530-MB0-000	1-D4	57	22862-MB0-770	1-C3	30
19032-MB4-000	1-J10	192	19536-MB0-000	1-D4	57		1-E2	76
19045-MB0-702	1-J10	192				22863-MB0-003	1-C3	31
19051-KA4-000	1-J10	192				22864-MB0-003	1-C3	31
19051-MB4-880	1-K3	202				22865-MB0-003	1-C3	31
	1-K4	205				22866-MF2-711	1-C3	31
19052-MB0-000	1-J10	192					1-D4	57
19052-MB4-880	1-K3	202	21100-MB4-000	1-D6	60	22880-MB4-671	1-F8	92
	1-K4	205	21100-MB4-680	1-D6	60	22880-MB4-673	1-F8	92
19060-MK3-003	1-J10	192	21100-MB4-770	1-D6	60	22880-MB4-681	1-F8	92
19063-MK3-300	1-J10	192	21100-MB4-830	1-D6	60	22880-MB4-771	1-F8	92
19101-MB4-000	1-J10	192	21200-MB4-000	1-D6	60	22884-MB0-006	1-F8	92
19104-MB0-700	1-J10	192	21291-MB0-306	1-D6	60	22885-MB0-006	1-F8	92
19105-MB4-000	1-J10	192		1-E1	75	22886-MB4-305	1-F8	92
19105-MB4-830	1-J10	192	21291-MB0-770	1-D6	60	22900-MB4-003	1-F8	92
19106-MB4-830	1-J9	191		1-E2	76	22900-MB4-013	1-F8	92
19108-MB4-000	1-J10	193	21301-MB3-000	1-D6	61	22900-MB4-023	1-F8	93
19110-MB4-000	1-J10	193	21301-MB4-000	1-D6	61	22900-MB4-770	1-F8	93
19111-MB4-000	1-J10	193	21319-MB4-000	1-D6	61	23103-MB4-000	1-B11	23
19111-MB4-830	1-J10	193	21320-MB4-000	1-D6	61	23103-MB4-770	1-B11	23
19113-MB0-000	1-J10	193	21321-MB4-000	1-D6	61	23200-MB3-000	1-D6	61
19114-MB0-000	1-J10	193	21322-MB4-000	1-D6	61	23200-MB4-000	1-D6	61
			21323-MB4-000	1-D6	61			

(2)



## Part Number Index

Part Number	Grid	Page	Part Number	Grid	Page	Part Number	Grid	Page
37200-MB4-831	1-F2	81	(4)			41531-MB0-000	1-H4	132
37202-MB4-671	1-F2	81				41532-MB0-000	1-H4	132
37203-MB4-671	1-F2	81	40200-MB4-013	1-I12	172	41533-MB0-000	1-H4	133
37204-MB1-008	1-F2	81	40200-MB4-023	1-I12	172	41534-MB0-000	1-H4	133
37220-MB4-671	1-F2	81	40200-MB4-033	1-I12	172	41535-MB0-000	1-H4	133
37220-MK3-671	1-F2	81	40211-MB0-000	1-I12	172	41536-MB0-000	1-H4	133
37237-SA5-003	1-F2	80	40212-MB0-000	1-I12	172	41537-MB0-000	1-H4	133
37237-SA5-004	1-F2	80	40213-MB0-010	1-I12	172	41538-MB0-000	1-H4	133
37250-MB4-671	1-F2	81	40214-MB0-010	1-I12	172	42301-MB4-000	1-H1	127
37250-MB4-681	1-F2	81	40215-MB0-003	1-I12	172	42312-463-000	1-H1	127
37250-MB4-771	1-F2	81	40216-MB0-000	1-I12	173	42313-MB4-000	1-H1	127
37250-MB4-831	1-F2	81	40217-MB0-010	1-I12	173	42615-MB0-700	1-H1	127
37252-MB4-671	1-F2	81	40218-MB0-000	1-I12	173	42620-MB4-000	1-H1	127
37254-MB1-008	1-F2	81	40219-MB0-000	1-I12	173	42625-MB4-000	1-H4	133
37255-MB4-830	1-F2	81	40221-MB0-000	1-I12	173	42650-MB4-305	1-H1	127
37450-MB4-671	1-F2	81	40250-MB4-010	1-I12	173	42650-MB4-770	1-H1	127
37450-MB4-771	1-F2	81	40250-MB4-020	1-I12	173	42650-MB4-771	1-H1	127
37450-MB4-772	1-F2	81	40250-MB4-030	1-I12	173	42704-MB0-000	1-G9	118
37450-MB4-773	1-F2	81	40515-413-000	1-I9	166			
37600-MB4-671	1-F2	81	41300-MB4-000	1-H3	130	42705-MB0-000	1-G9	118
37600-MB4-681	1-F2	81	41300-MB4-770	1-H3	130			
37600-MB4-682	1-F2	81	41300-MB4-771	1-H3	130	42706-MB0-000	1-G9	118
37600-MB4-683	1-F3	82	41300-MB4-774	1-H3	130			
37600-MB4-771	1-F2	81	41301-MB4-000	1-H3	130	42710-MB4-671	1-H2	128
37610-MB4-671	1-F3	82	41301-MB4-770	1-H3	130	42710-MB4-672	1-H2	128
37617-MB4-671	1-F3	82	41301-MB4-771	1-H3	130	42710-MB4-673	1-H2	128
37617-MB4-681	1-F3	82	41301-MB4-774	1-H3	131	42710-MB4-773	1-H2	128
37618-MB4-671	1-F3	82	41303-ME4-300	1-H3	131	42753-425-003	1-G9	118
37640-MB1-701	1-J3	179	41306-MB0-010	1-H3	131			
37750-PC1-004	1-D4	57	41306-ME5-305	1-H3	131	42753-425-004	1-G9	118
37760-MB4-770	1-J10	193	41310-MB4-305	1-H3	131			
37760-MC7-003	1-J10	193	41311-MB4-770	1-H3	131	431A0-MB4-307	1-H1	126
37810-MB4-008	1-H7	139	41311-MB4-773	1-H3	131	43100-MB4-007	1-G12	124
37811-MB1-008	1-H7	139	41312-MB4-770	1-H3	131	43100-MB4-008	1-G12	124
38102-MB4-000	1-F12	100	41321-MB0-010	1-H3	131	43100-MB4-681	1-G12	124
38110-MB4-640	1-F12	100	41321-ME5-770	1-H3	131	43100-MB4-682	1-G12	124
38110-MB4-670	1-F12	101	41324-MB0-010	1-H3	131	43101-MB4-006	1-G12	124
38120-MB4-640	1-F12	101	41331-MB0-000	1-H3	131	43105-MB4-007	1-G12	124
38120-MB4-670	1-F12	101	41332-415-000	1-H3	131	43105-MB4-008	1-G12	124
38200-MB4-005	1-F12	101	41333-415-000	1-H3	131	43105-MB6-008	1-G12	124
38205-MB4-000	1-F12	101	41410-ME5-000	1-H3	131	43107-MA7-006	1-G7	114
38216-MB4-770	1-I4	157	41433-MB0-010	1-H3	131	43108-MB9-781	1-G12	124
38231-SA5-003	1-F12	101	41436-MB0-310	1-H3	131	43110-MB4-006	1-G12	125
38301-MB0-004	1-I2	153	41437-MB0-310	1-H3	131	43112-445-631	1-G12	125
38301-MF8-771	1-I2	153	41438-MB0-310	1-H3	131	43310-MB4-003	1-G10	121
38301-MF8-773	1-I2	153	41450-MB0-000	1-H3	131	43310-MB4-013	1-G10	121
38301-MG9-681	1-I2	153	41451-MB0-000	1-H3	131	43310-MB4-023	1-G10	121
38306-GE7-000	1-I2	153	41452-MB0-000	1-H4	132	43351-MB4-000	1-H2	128
38306-ME9-771	1-F12	101	41453-MB0-000	1-H4	132	43351-MB4-830	1-H2	129
	1-I2	153	41454-MB0-000	1-H4	132	43352-568-003	1-C3	31
38306-292-000	1-I2	153	41455-MB0-000	1-H4	132			
38601-MB3-671	1-F12	101	41456-MB0-000	1-H4	132	43353-461-771	1-C3	31
			41510-MB0-003	1-H4	132			
			41530-MB0-000	1-H4	132			

## Part Number Index

Part Number	Grid	Page	Part Number	Grid	Page	Part Number	Grid	Page
43353-461-771	1-D4	57	45112-445-631	1-G7	115	45518-MB4-671	1-F6	89
	1-G7	114	45113-ME1-670	1-G7	115		1-F8	93
	1-G12	125	45114-MB7-610	1-G7	115	45520-MA5-671	1-F6	89
43431-MB4-000	1-G12	125	45124-MB4-003	1-F6	88		1-F8	93
43431-MB4-010	1-G12	125	45124-MB4-013	1-F6	88	45520-MA5-672	1-F6	89
43435-392-000	1-G12	125	45125-MB4-003	1-F6	88		1-F8	93
43500-MB4-000	1-G10	121	45125-MB4-013	1-F6	88	45520-300-000	1-G11	122
43500-MB4-010	1-G10	121	45126-MB4-003	1-F6	88	45521-MJ6-006	1-G11	122
43503-422-006	1-G10	121	45126-MB4-013	1-F6	88	45521-300-010	1-G11	122
43504-371-013	1-G10	121	45126-MB4-770	1-F6	88	45522-422-000	1-F6	89
43510-MB4-671	1-G10	121	45126-MB4-771	1-F6	88		1-F8	93
43511-443-761	1-G10	121	45127-MB1-000	1-F6	89	45523-MB4-771	1-F6	89
43512-MB4-000	1-G10	121	45128-ME2-003	1-G9	119		1-F8	93
43512-MB4-010	1-G11	122	45131-MA3-006	1-G7	115	45530-MA5-671	1-F6	89
43513-MB4-672	1-G10	121		1-G12	125	45540-MB4-671	1-F6	89
43514-445-771	1-G11	122	45133-MA3-006	1-G7	115		1-F8	93
43520-461-771	1-G11	122		1-G12	125	46182-500-013	1-G11	122
43530-MB4-000	1-G11	122	45133-166-016	1-G7	115	46391-692-003	1-H7	139
44301-461-770	1-G9	118		1-G12	125	46500-MB4-000	1-I8	165
44311-461-770	1-G9	118	45200-MB3-008	1-G7	115	46503-371-000	1-G11	122
44620-MB0-000	1-G9	118	45200-MB3-018	1-G7	115	46504-MB2-006	1-G11	122
44650-MB1-315	1-G9	118	45200-MB4-007	1-G7	115	46504-445-771	1-G11	123
44650-MB4-770	1-G9	118	45200-MB4-008	1-G7	115	46513-MB4-000	1-I8	165
44650-MB4-771	1-G9	119	45201-MB4-006	1-G7	115	46514-MB4-000	1-I8	165
44680-410-000	1-G9	119	45209-MA7-006	1-G7	115	46517-MB4-000	1-I8	165
44710-MB1-671	1-G9	119	45209-166-006	1-G12	125			
44710-MB1-672	1-G9	119	45210-MB4-006	1-G8	116	(5)		
44710-MB4-671	1-G9	119	45215-MA2-006	1-G12	125			
44710-MB4-672	1-G9	119	45215-MA3-006	1-G8	116	50100-MB4-000ZA	1-J12	196
44710-MG1-673	1-G9	119	45217-MA3-006	1-G8	116	50100-MB4-010ZA	1-J12	196
44710-MG8-673	1-G9	119		1-G12	125	50100-MB4-020ZA	1-J12	196
44800-MB0-013	1-G9	119	45217-MJ0-006	1-G8	116	50100-MB4-680ZA	1-J12	196
44806-MB0-003	1-G9	119		1-G12	125	50100-MB4-700ZA	1-J12	196
44809-402-000	1-G9	119	45251-MB1-700	1-G9	119	50100-MB4-850ZA	1-J12	196
44830-MB4-000	1-F3	82	45251-MK3-010	1-G9	119	50100-MB4-880ZA	1-J12	196
44831-MB4-300	1-F3	82	45319-634-003	1-H7	139	50108-MB0-000	1-F12	101
44832-MB1-000	1-G7	114	45351-MB1-700	1-G9	119	50115-MB4-000	1-J12	197
451A0-MJ1-670	1-G8	117	45351-MK3-010	1-G9	119	50189-MB4-000	1-J12	197
45100-MB4-007	1-G7	114	45500-MB4-671	1-F6	89	50195-MB4-000	1-G11	123
45100-MB4-008	1-G7	114	45500-MB4-672	1-F6	89	50201-MB0-000	1-J12	197
45100-MB4-681	1-G7	114	45500-MB4-673	1-F6	89	50202-MB0-000	1-J12	197
45100-MB4-682	1-G7	114	45500-MB4-771	1-F6	89	50203-MB4-000	1-J12	197
45101-MB9-781	1-G7	114	45500-MJ4-006	1-F6	89	50206-MB0-000	1-J12	197
45105-MB1-701	1-G7	114	45504-410-003	1-F6	89	50210-MB4-000	1-J12	197
45105-MB1-702	1-G7	115		1-F8	93	50210-MB4-680	1-J12	197
45105-MJ1-672	1-G7	115	45510-MB4-405	1-F6	89	50210-MB4-700	1-J12	197
45105-MJ1-673	1-G7	115	45512-MA6-006	1-F6	89	50210-MB4-830	1-J12	197
45107-MA3-006	1-G12	125		1-F6	89	50210-MB4-850	1-J12	197
45108-MA3-006	1-G7	115	45513-MB4-671	1-F6	89	50210-MB4-880	1-J12	197
45109-MA7-006	1-G7	115		1-F8	93	50216-MB4-000	1-J12	197
45109-166-006	1-G12	125	45513-MB4-672	1-F6	89	50228-MB0-000	1-D4	57
45110-MB4-006	1-G7	115		1-F8	93			
45111-MA3-006	1-G7	115	45517-MB0-006	1-F6	89			
	1-G12	125		1-F8	92			







## Part Number Index

Part Number	Grid	Page	Part Number	Grid	Page	Part Number	Grid	Page
90017-MB4-000	1-C1	27	90116-MC7-003	1-G5	110	90185-MC7-013	1-G8	116
	1-C2	29	90116-ME1-671	1-G5	111	90201-415-000	1-F7	91
90017-369-690	1-K1	198	90117-MB0-000	1-F7	90	90201-700-000	1-I8	165
90018-MB4-000	1-C7	39		1-F9	94	90202-ZV0-000	1-J10	193
90019-MB0-000	1-C5	35	90117-MC7-000	1-F11	90	90203-MB4-000	1-B11	23
90021-KE8-000	1-C6	36	90118-MB4-000	1-I7	162	90203-PD1-000	1-G1	102
90025-MB0-771	1-B2	5	90118-MC7-003	1-G5	110	90206-590-000	1-B7	14
90026-ME9-000	1-B9	18	90118-471-000	1-I7	162	90208-425-870	1-K1	199
90026-MM8-000	1-B9	18	90119-KV0-000	1-J3	179	90241-MB0-000	1-D7	62
90041-MB0-000	1-D2	53	90119-MB4-000	1-J3	179	90241-MB4-000	1-D7	62
90045-MB2-000	1-B2	5	90120-MB4-000	1-F5	87	90242-MB0-000	1-D7	62
90045-MB4-000	1-B2	5	90120-MB4-830	1-J10	193	90242-MB4-000	1-D7	62
90049-MB0-000	1-D6	61	90121-MB0-000	1-I12	173	90301-KW8-900	1-I5	158
90050-MB6-000	1-B11	23	90122-MB0-000	1-I12	173	90301-428-900	1-G1	102
90050-422-000	1-B11	23	90124-392-000	1-G12	125	90302-MB1-000	1-I3	154
90051-MB0-000	1-C3	31	90130-MC7-000	1-H2	129		1-I5	158
90061-MB0-000	1-D6	61	90133-MB0-000	1-H4	133	90302-425-830	1-G1	103
90062-MB4-000	1-D7	62	90134-371-000	1-H4	133	90303-MB1-610	1-F3	82
90063-MB4-000	1-D7	62	90141-MB0-000	1-I5	158	90304-425-000	1-F11	99
90063-235-000	1-B3	6	90142-MB4-000	1-F11	99	90304-438-000	1-I7	162
	1-B5	10	90145-KE8-000	1-F7	90	90305-MB4-003	1-H4	133
90065-MB4-000	1-I8	165		1-F9	94	90308-357-000	1-I12	173
90071-MB0-000	1-C4	33		1-G11	123	90312-MB0-700	1-I12	173
90097-MB4-880	1-K3	202	90145-KM3-750	1-F7	90	90313-MB0-000	1-I12	173
	1-K4	205		1-F9	94	90313-567-000	1-H9	143
90101-MB0-000	1-K1	198		1-F9	94	90315-MB0-000	1-G1	103
90102-MB0-000	1-K1	198	90145-MB0-010	1-F7	91	90315-MB4-680	1-G1	103
90102-434-671	1-F3	82	90145-MG5-670	1-F7	91	90355-469-000	1-I12	173
90104-MB4-000	1-K1	198	90145-VM0-000	1-F7	91	90380-MB1-000	1-J5	183
90104-MJ1-000	1-F11	99		1-F9	94	90380-ME9-000	1-J5	183
90104-360-000	1-D7	62		1-G11	123	90381-MB0-010	1-H4	133
90105-MB0-000	1-H2	129	90145-961-010	1-F7	91	90401-MB2-000	1-I7	163
90105-MB0-010	1-H2	129		1-F9	94	90402-428-000	1-B7	14
90105-MB4-000	1-K1	199		1-G11	123	90405-463-000	1-B9	18
90105-ME2-000	1-G9	119	90151-MB1-000	1-F11	99	90407-MB0-000	1-D2	53
90106-MB2-000	1-F1	79	90152-MB0-000	1-G1	102	90422-MB4-000	1-C12	49
90106-MB3-000	1-I8	165		1-K1	198	90425-300-000	1-C3	31
90106-MF2-010	1-G9	119	90152-ME5-000	1-G5	111		1-E2	76
90106-422-000	1-F11	99	90153-MB0-000	1-G5	111	90434-422-000	1-E12	24
90107-MB0-000	1-K1	198		1-I9	167	90439-463-000	1-J2	116
90108-MB0-000	1-I11	170	90153-MB0-405	1-G5	111	90441-028-010	1-H7	139
90108-MB4-830	1-I11	171		1-I9	167		1-K1	199
90108-MJ1-000	1-I11	170	90154-ME9-000	1-F11	99	90443-MB0-000	1-B3	6
90109-MB0-000	1-I9	167	90157-MB1-000	1-I9	167	90451-422-000	1-C12	49
90109-371-000	1-H4	133	90158-MB1-000	1-I7	162	90451-461-000	1-D1	50
90110-MB0-000	1-K1	198	90164-460-840	1-G8	116	90452-323-000	1-B2	5
90110-MB2-000	1-K1	198	90170-MB0-000	1-H4	133		1-B5	10
90110-ME4-000	1-F1	79	90179-422-000	1-I8	165	90453-MB0-770	1-D1	50
90112-MB4-000	1-I7	162	90180-MA3-006	1-G8	116	90453-704-000	1-D1	50
90114-GB6-920	1-K3	202		1-G12	125	90454-428-000	1-D1	50
	1-K4	205	90180-MA3-660	1-G8	116	90455-MB0-770	1-D1	50
90114-MA5-671	1-F7	90	90183-438-000	1-F1	79	90456-MB0-770	1-D1	50
	1-F8	93	90185-MC7-003	1-G8	116	90456-323-000	1-D1	50
90115-MB0-000	1-I11	171	90185-MC7-010	1-G8	116	90457-MB0-770	1-D1	50

## Part Number Index

Part Number	Grid	Page	Part Number	Grid	Page	Part Number	Grid	Page
90459-MB4-000	1-B12	24	91004-MB3-003	1-D7	62	91253-442-003	1-H2	129
90461-MB0-770	1-B12	24	91004-MB4-003	1-D7	62	91253-442-004	1-H2	129
90461-MF2-710	1-C7	39	91006-MB4-003	1-D1	51	91254-MB4-003	1-G5	111
90461-MJ0-000	1-B12	24	91006-MB4-004	1-D1	51	91254-MM8-003	1-G5	111
90461-357-000	1-B2	5	91008-KK6-000	1-B12	24	91258-410-003	1-G10	120
	1-C7	39	91008-300-005	1-D7	63	91258-410-006	1-G10	120
90461-723-911	1-C1	27	91008-362-000	1-B12	24	91258-410-013	1-G10	120
90462-MB4-000	1-B12	24	91008-374-003	1-D3	54	91261-MB0-000	1-H5	134
90462-MB6-000	1-B12	24	91010-HC0-003	1-B12	25	91261-MB0-003	1-H5	134
90464-MB4-010	1-D1	50	91011-MB0-003	1-D7	63	91261-MB0-005	1-H5	134
90471-580-000	1-H4	133	91011-MB0-004	1-D7	63	91265-MB0-000	1-H5	134
90485-KE8-000	1-B9	18	91011-PG4-003	1-C1	27	91265-MB0-003	1-H5	134
90485-286-000	1-B9	18	91012-MB0-003	1-D7	63	91265-MB0-003	1-H5	134
90486-MB0-000	1-B9	18	91012-MG7-003	1-D7	63	91268-463-003	1-J1	174
90487-MB0-000	1-C5	35	91015-KT8-005	1-G1	103	91271-MB0-000	1-J1	174
	1-D3	54	91015-MB4-771	1-G1	103	91271-MB0-003	1-J1	174
90488-MB0-000	1-C5	35	91015-425-831	1-G1	103	91271-MB0-004	1-J1	174
	1-D3	54	91015-425-832	1-G1	103	91271-MB0-013	1-J1	174
90489-MB0-000	1-D3	54	91016-KT8-005	1-G1	103	91271-MK3-003	1-J1	174
90501-310-000	1-G11	123	91016-MB4-771	1-G1	103	91301-MB0-000	1-D4	57
90502-MB0-000	1-K1	199	91016-371-000	1-G1	103		1-E2	76
90503-425-000	1-F11	99	91022-MB4-000	1-C1	27	91301-PC9-003	1-C5	35
90506-425-830	1-G1	103	91022-422-004	1-D1	51	91301-027-000	1-F3	83
90506-634-000	1-I3	154	91024-MB4-000	1-B12	25	91301-147-023	1-D4	57
90508-MB4-000	1-I7	162	91026-MB4-003	1-D1	51		1-E2	76
90512-300-000	1-G1	103	91051-MB0-005	1-H4	133	91301-250-000	1-B10	21
	1-I3	154	91051-719-003	1-D3	54		1-E2	76
	1-J3	179	91052-MB0-003	1-H4	133	91301-469-003	1-G5	111
	1-J11	194	91058-MG9-680	1-F11	99	91302-MB0-013	1-C3	31
90521-292-000	1-J2	177	91058-MG9-681	1-F11	99		1-E2	76
90541-MB0-000	1-B1	2	91059-MG9-681	1-F11	99	91302-MC7-611	1-G8	117
90542-MB0-000	1-B1	2	91061-MB0-000	1-H4	133	91302-001-020	1-H5	135
90543-273-000	1-G5	111	91061-MB0-005	1-H4	133	91305-MC7-003	1-G5	111
90544-283-000	1-G5	111	91062-MB0-003	1-H4	133	91305-323-000	1-G5	111
90545-300-000	1-B3	6	91062-MB0-013	1-H5	134	91305-422-000	1-D7	63
	1-E1	74	91062-MB4-773	1-H5	134	91306-PJ4-000	1-F3	83
	1-F7	91	91062-MB4-774	1-H5	134		1-G5	111
	1-F9	94	91062-MG8-005	1-H5	134	91307-MB0-003	1-D5	58
	1-G11	123	91066-MC7-004	1-I12	173		1-E2	77
90556-MB4-000	1-I5	158	91101-MB0-003	1-D3	54	91307-PH7-660	1-J11	194
90557-MB0-000	1-I7	162	91101-516-000	1-C1	27	91307-425-003	1-B10	21
90601-KA5-000	1-C11	47	91202-444-023	1-C7	39		1-E2	76
90601-MB0-771	1-B12	24	91204-MB0-000	1-D7	63	91307-611-000	1-J11	194
90601-MB4-000	1-B12	24	91204-MB0-003	1-D7	63	91308-MB0-003	1-D7	63
90601-MB4-010	1-B12	24	91204-MB0-013	1-D7	63		1-E2	77
90601-422-000	1-D1	51	91204-425-003	1-C7	39	91308-MC7-003	1-G5	111
90651-MA5-671	1-F7	91	91205-MB0-771	1-D7	63	91308-MJ0-003	1-G6	112
90651-377-003	1-F9	94	91205-MG7-003	1-D7	63	91308-283-000	1-C5	35
90662-MA1-003	1-I3	154	91209-MB0-003	1-C3	31	91309-MA6-000	1-C4	33
90701-MB4-000	1-C5	35	91210-MB0-003	1-C7	39	91309-MB0-003	1-C5	35
90703-MB0-000	1-D7	62	91210-MB0-005	1-C7	39		1-E2	77
90704-MB0-000	1-B9	18	91210-MB0-013	1-C7	39	91310-KE8-003	1-B7	14
90741-413-000	1-C11	47	91212-422-006	1-G11	123		1-E1	74
90892-MB0-000	1-F5	87	91252-MC7-003	1-G10	120	91310-MC7-003	1-F3	83
							1-G5	111

## Part Number Index

Part Number	Grid	Page	Part Number	Grid	Page	Part Number	Grid	Page
91311-MB0-003	1-C5	35	92600-06025-0B	1-H7	139	93891-05025-07	1-B3	7
	1-E2	77	92700-06045	1-B3	6		1-B5	11
91311-PH7-003	1-G5	111		1-B5	10	93891-05025-17	1-B3	7
91313-MB0-003	1-C5	35	92700-06045-0B	1-B3	6		1-B5	11
	1-E2	77		1-B5	10	93891-06012-00	1-I7	163
91313-MG7-004	1-C5	35	92700-06045-0E	1-B3	6	93891-06016-00	1-I7	163
	1-E2	77		1-B5	10	93892-04008-08	1-H7	139
91313-393-003	1-C5	35	92700-06050-0E	1-B3	6	93892-04010-00	1-D10	69
91314-MB0-003	1-C7	39		1-B5	10	93892-04012-00	1-I5	158
	1-E2	77	92700-10050-0E	1-H5	135	93892-04012-08	1-D10	69
91314-MJ0-000	1-D7	63	92800-12000	1-C5	35	93892-04014-00	1-D10	69
	1-E2	77	92900-06032-0B	1-B3	6	93892-04016-00	1-D12	72
91314-300-000	1-D7	63		1-B5	10	93892-05012-00	1-D10	69
	1-E2	77	92900-06032-0E	1-B3	6	93892-05012-07	1-K1	199
91315-MB0-013	1-D5	58		1-B5	10	93892-05020-07	1-F5	87
	1-E2	77	93200-10035-0B	1-J2	177	93892-05028-07	1-F5	87
91316-MJ8-003	1-B10	21	93491-06016-00	1-C1	27	93892-05032-07	1-F5	87
91318-ME5-003	1-G5	111	93500-03006-0A	1-F7	91	93892-05045-07	1-F5	87
91320-MB0-000	1-C4	33		1-F9	94	93892-06012-00	1-H7	139
91335-567-000	1-D5	58	93500-03010-0G	1-F3	83	93893-03012-18	1-F3	83
91347-PY3-000	1-G8	117	93500-03020	1-F3	83	93893-04012-07	1-F9	95
91351-GA7-000	1-G8	117	93500-03020-0A	1-F3	83	93893-04012-08	1-F7	91
91351-GR1-000	1-G6	112	93500-03020-1A	1-F3	83		1-G11	123
91352-MB4-003	1-G5	111	93500-04006-0H	1-H12	149	93893-04012-17	1-F9	95
91352-MG5-671	1-G6	112	93500-04006-1H	1-H12	149	93893-04012-18	1-F7	91
91353-MB0-003	1-H5	135	93500-04008-0G	1-F5	87		1-G11	123
91353-MB4-003	1-G6	112	93500-04010-0A	1-D12	72	93893-05012-07	1-I3	154
91353-671-003	1-H12	149	93500-05008-0G	1-B3	6		1-J11	194
91353-671-004	1-H12	149		1-B5	11		1-K1	199
91355-MB0-003	1-H5	135	93500-05010-0A	1-G6	112	93893-06032-08	1-I5	158
91355-MB0-005	1-H5	135	93500-05010-1A	1-G6	113	93894-05016-07	1-G1	103
91356-MB0-000	1-H5	135	93500-05014-0A	1-G1	103	93894-05018-07	1-G1	103
91356-MB0-005	1-H5	135	93500-05016-0A	1-G1	103	93901-32220	1-F3	83
91356-MB4-003	1-G6	112	93500-05028-0G	1-B3	7	93901-34320	1-J5	183
91358-MB0-000	1-H2	129		1-B5	11	93901-34480	1-J7	187
91359-MB0-000	1-H5	135	93500-06008-4J	1-I7	163	93901-34610	1-J5	183
91361-MB0-000	1-J1	174	93500-06012-0A	1-C2	29	93901-35210	1-I5	158
91399-MB0-003	1-G6	112	93500-06012-4J	1-I7	163	94001-03000-0S	1-F3	83
91403-663-000	1-G1	103	93510-05010-0A	1-G6	113	94001-06000-0S	1-F3	83
91455-MB0-010	1-F11	99	93600-04012-0G	1-F7	91	94001-06200-0S	1-F3	83
	1-G6	112		1-F9	95	94002-03000-0S	1-F3	83
91456-ME1-670	1-G1	103		1-H7	139	94002-06000-0S	1-D3	54
91456-MJ0-000	1-I9	167	93600-04012-1G	1-F7	91		1-F3	83
	1-J3	179		1-F9	95	94002-06020-0S	1-I8	165
92000-06008-0A	1-G6	112	93600-06016-0A	1-D1	51	94002-06080-0S	1-H12	149
92000-06012	1-H5	135		1-D3	54	94002-06080-00	1-H12	149
92000-06016-0A	1-I9	167	93600-06040-0G	1-G6	113	94002-08000-0S	1-G11	123
92100-06016-0A	1-I9	167	93700-04008-0B	1-F3	83	94011-08000-0S	1-G12	125
92101-06008-0A	1-G6	112		1-F11	99	94021-06000-0S	1-F3	83
92101-06012	1-H5	135	93700-05020-0G	1-F3	83	94021-06020	1-F3	83
92101-06012-0A	1-H5	135	93891-04014-07	1-G1	103	94021-06020-0S	1-F3	83
92101-06016-0A	1-I9	167	93891-05012-0A	1-H9	143	94021-06070	1-I5	159
92300-05012-0A	1-F1	79	93891-05012-00	1-H9	143	94021-06070-0S	1-I5	159
92301-05012-0A	1-F1	79	93891-05012-07	1-K1	199	94021-06220-0S	1-H12	149

## Part Number Index

Part Number	Grid	Page	Part Number	Grid	Page	Part Number	Grid	Page
94021-06270-0S	1-I5	159	94109-12000	1-E2	77	95002-02130	1-I5	159
94021-10020-0S	1-J2	177	94111-03800	1-F4	84		1-J11	194
94022-06020	1-F3	83	94111-04000	1-J7	187		1-K4	205
94031-10070	1-I11	170	94111-04800	1-H12	149	95002-02650	1-D10	69
94050-04080	1-J7	187	94111-05000	1-C4	33	95002-41000-08	1-I3	155
94050-05080	1-J3	179	94111-06000	1-F4	84	95002-41050-00	1-I3	155
	1-J11	194		1-I7	163	95002-41050-08	1-I5	159
94050-06000	1-F7	91	94111-06800	1-H12	149	95002-4200-08	1-I3	155
	1-F9	95	94201-16100	1-I10	168	95002-70000	1-I5	159
	1-I7	163	94201-16150	1-G11	123		1-J11	194
	1-J8	189		1-I10	168	95002-80000	1-J11	194
	1-J11	194	94201-16250	1-G11	123	95003-23280-31	1-I5	159
94050-06070	1-G1	102		1-I10	168	95005-45600-20	1-K3	203
94050-06080	1-H9	143	94201-20150	1-H1	126	95005-70600-30	1-J10	193
	1-J3	179	94201-20250	1-C6	36	95005-75450-20	1-I5	159
	1-J7	187	94201-20320	1-C6	36	95005-80210-24	1-K4	205
	1-J8	189	94201-20350	1-C6	36	95005-80230-24	1-K4	205
94050-08000	1-F3	83	94201-25250	1-I11	170	95005-80480-20	1-K3	203
	1-G12	125	94201-25300	1-I11	170	95011-61000	1-I7	163
	1-I7	163	94251-05000	1-B9	19	95014-61200	1-J11	195
	1-I11	170	94251-06000	1-B9	18	95014-71702	1-I11	170
94050-08080	1-J6	184	94251-08000	1-B9	19	95015-83000	1-I10	168
94050-10000	1-K1	199	94251-08400	1-H7	139	95600-06025-07	1-I11	170
94050-10080	1-K1	199	94301-08140	1-B3	7	95700-06010-00	1-G1	103
94050-12000	1-J6	184		1-B5	11		1-H8	140
94101-03800	1-F7	91	94101-04800	1-H12	149	95700-06010-07	1-G1	103
	1-F9	95	94101-06000	1-D5	58		1-G8	117
	1-F9	95		1-F3	83		1-H1	126
94101-04800	1-H12	149		1-I7	163	95700-06012-00	1-B3	7
94101-06000	1-D5	58		1-I10	168		1-C7	39
	1-F3	83	94301-10160	1-C7	39		1-G1	103
	1-I7	163	94301-12200	1-B3	7		1-B5	11
	1-I10	168		1-B5	11	94601-15000	1-B12	25
94101-06080	1-D5	58		1-B10	21	94608-10000	1-B10	21
	1-F4	84		1-D10	69	95001-35070-40	1-D10	69
	1-I7	163		1-D10	69	95001-35080-40	1-D10	69
	1-I10	168		1-D10	69	95001-35180-40	1-D10	69
94101-06200	1-I7	163		1-D10	69	95001-35220-40	1-D10	69
	1-J11	194		1-D10	69	95001-45075-40	1-D10	69
94101-06700	1-K3	202		1-D10	69	95001-45185-40	1-D10	69
	1-K4	205		1-H8	140	95001-55190-20	1-H8	140
94101-06800	1-D5	58		1-I3	154	95001-55200-20	1-H8	140
	1-F4	84		1-I3	155		1-G2	105
	1-H5	135		1-I3	155		1-H8	140
	1-H12	149		1-I3	155		1-J8	189
	1-I7	163		1-I3	155	95001-55940-20	1-B9	19
	1-I10	168		1-I3	155	95002-01120	1-J3	179
94101-08000	1-H1	126		1-I3	155	95002-01140	1-D5	58
	1-I10	168		1-H8	140	95002-02070	1-H8	140
	1-H7	139		1-D10	69	95002-02080	1-J9	190
94102-10000	1-G8	117		1-K3	202		1-I8	165
94103-06700	1-K3	202		1-K4	205	95700-06022-00	1-I11	171
	1-K4	205		1-D10	69	95700-06025-07	1-J11	195
94103-06800	1-I7	187		1-I3	155	95700-06032-00	1-C7	39
94109-12000	1-C6	36		1-D10	69	95700-06032-08	1-I3	155
				1-I5	159	95700-06040-00	1-C7	39
							1-J11	195

### Part Number Index

Part Number	Grid	Page	Part Number	Grid	Page	Part Number	Grid	Page
95700-06045-00	1-C6	36	95701-06045-07	1-C8	40	96001-06016-00	1-D3	55
	1-C8	40	95701-06050-00	1-C8	40		1-D5	59
95700-06050-00	1-C8	40	95701-06070-00	1-C6	37	96001-06020-07	1-C2	29
95700-06050-07	1-C8	40	95701-06090-00	1-C8	40	96001-06022-00	1-C3	31
95700-06070-00	1-C6	37	95701-08014-08	1-C1	27	96001-06022-07	1-D5	59
95700-06090-00	1-C8	40	95701-08016-07	1-K1	199	96001-06025-J7	1-C4	33
95700-06100-07	1-C8	41	95701-08020-00	1-G11	123		1-D5	59
95700-08014-08	1-C1	27	95701-08020-07	1-G8	117	96001-06028-00	1-C3	31
95700-08016-07	1-K1	199	95701-08025-08	1-J3	179	96001-06028-07	1-B10	21
95700-08020-00	1-G11	123	95701-08032-00	1-J1	174		1-C6	37
95700-08020-07	1-G8	117	95701-08035-00	1-C8	41		1-D7	63
95700-08025-08	1-J3	179	95701-08040-00	1-I11	171	96001-06035-00	1-C2	29
95700-08032-00	1-J1	174	95701-08040-08	1-I11	171	96001-06035-02	1-F1	79
95700-08035-00	1-C8	41	95701-08050-07	1-C8	41	96001-06035-07	1-B10	21
95700-08040-00	1-I11	171	95701-08065-00	1-C8	41		1-D5	59
95700-08040-08	1-I11	171	95701-08070-00	1-D7	63	96001-06045-00	1-C2	29
95700-08050-07	1-C8	41	95701-08080-07	1-C8	41	96001-06070-00	1-C3	31
95700-08065-00	1-C8	41	95800-08020-00	1-G11	123	96100-63040-00	1-C8	41
95700-08070-00	1-D7	63	95800-08032-00	1-D3	54	96140-63020-10	1-G10	170
95700-08080-07	1-C8	41	95801-08020-00	1-G11	123	96150-62040-10	1-H2	129
95701-06010-00	1-G1	103	95801-08032-00	1-D3	55	96150-63020-10	1-G10	120
	1-H8	140	96000-06010-02	1-J11	195	96150-63040-10	1-H2	129
95701-06010-07	1-G1	103	96000-06010-07	1-K1	199	96211-05000	1-G6	113
	1-G8	117	96000-06012-00	1-C2	29	96220-60150	1-C1	27
	1-H1	126		1-C8	41	96700-06018-17	1-G5	111
95701-06012-00	1-B3	7	96000-06014-00	1-B9	19	96700-06022-17	1-F7	90
	1-C7	39	96000-06014-07	1-B3	7		1-F9	94
	1-G2	104		1-D5	58	96700-08022-17	1-D6	61
	1-G11	123	96000-06016-00	1-D1	51	96700-08028-10	1-G5	111
	1-H9	143		1-D3	55	96700-08032-10	1-F11	99
	1-I3	155		1-D5	59	96700-10028-17	1-K1	198
95701-06012-07	1-I1	151	96000-06020-07	1-C2	29	98069-57916	1-B3	7
95701-06014-00	1-I3	155	96000-06022-00	1-C3	31		1-B5	11
	1-I5	159	96000-06022-07	1-D5	59	98069-57926	1-B3	7
	1-J11	195	96000-06025-07	1-C4	33		1-B5	11
95701-06014-08	1-C6	36		1-D5	59	98069-58916	1-B3	7
	1-G2	105	96000-06028-00	1-C3	31		1-B5	11
	1-H8	140	96000-06028-07	1-B10	21	98069-58926	1-B3	7
	1-J9	190		1-C6	37		1-B5	11
95701-06016-00	1-B9	19		1-D7	63	98069-59916	1-B3	7
	1-J3	179	96000-06035-00	1-C2	29		1-B5	11
95701-06020-00	1-D5	58	96000-06035-02	1-F1	79	98069-59926	1-B3	7
95701-06020-08	1-H8	140	96000-06035-07	1-B10	21		1-B5	11
	1-J9	190		1-D5	59	98200-21000	1-J9	190
95701-06022-00	1-I8	165	96000-06045-00	1-C2	29	98200-31500	1-F12	101
95701-06025-07	1-I11	171	96000-06070-00	1-C3	31	98200-33000	1-I1	151
	1-J11	195	96001-06010-02	1-J11	195	98200-53000	1-I1	151
95701-06032-00	1-C7	39	96001-06010-07	1-K1	199	99001-08000	1-K2	201
95701-06032-08	1-I3	155	96001-06012-00	1-C2	29	99001-10120	1-K2	201
95701-06040-00	1-C8	40		1-C8	41	99001-14170	1-K2	201
	1-J11	195	96001-06014-00	1-B9	19	99002-13500	1-K2	201
95701-06045-00	1-C6	36	96001-06014-07	1-B3	7	99003-10000	1-K2	201
	1-C8	40		1-D5	59	99003-30000	1-K2	201
95701-06045-07	1-C6	37	96001-06016-00	1-D1	51	99003-50000	1-K2	201

### Part Number Index

Part Number	Grid	Page	Part Number	Grid	Page	Part Number	Grid	Page
99006-12000	1-K2	201						
99006-27000	1-K2	201						
99008-02000	1-K2	200						
99101-GHB-1180	1-D12	73						
99101-GHB-1200	1-D12	73						
99101-393-1150	1-D12	73						
99101-393-1180	1-D12	73						
99101-393-1200	1-D12	73						
99101-393-1400	1-D12	72						
	1-D12	73						
99102-393-1200	1-D12	73						
99102-393-1400	1-D12	73						
99103-437-0380	1-D12	73						

## Description Index

Description	Grid	Page	Ref. No.	Description	Grid	Page	Ref. No.
(A)							
ADJUSTER, R. CONTROL LEVER	1-F6	89	19	BEARING B. CONNECTING ROD	1-C10	45	8
	1-F8	93	18	BEARING B. CRANKSHAFT	1-C11	47	10
ALARM UNIT, LOCKING	1-H10145		16	BEARING C. CONNECTING ROD	1-C10	45	8
ALTERNATOR ASSY.	1-C2	26	5	BEARING C. CRANKSHAFT	1-C11	47	10
ALTERNATOR ASSY. PULSE	1-C1	27	8	BEARING, BALL, 16005	1-D3	54	25
ARM COMP., CAM CHAIN TENSIONER	1-B8	17	15	BEARING, BALL, 5206	1-D7	63	24
ARM COMP., GEARSHIFT	1-I8	164	4	BEARING, BALL, 5207	1-D7	62	23
ARM COMP., MIDDLE	1-I8	165	11	BEARING, BALL, 6303	1-D7	63	25
ARM COMP., NEUTRAL STOPPER	1-D2	53	10	BEARING, HEAD PIPE LOWER	1-G1	103	39
ARM COMP. SHIFT DRUM STOPPER	1-D2	53	11		1-G1	103	38
ARM. RR. BRAKE STOPPER	1-G12125		9	BEARING, HEAD PIPE UPPER	1-G1	103	36
ARM. RR. STOP SWITCH	1-I8	165	14		1-G1	103	37
ARM. VALVE ROCKER	1-B6	13	6	BEARING, NEEDLE, 19/16	1-H4	133	31
AXLE, FR. WHEEL	1-G9	118	3	BEARING, NEEDLE, 19/18	1-H5	134	31
AXLE, RR. WHEEL	1-H1	127	1	BEARING, NEEDLE, 22MM	1-D1	51	26
(B)							
BAG, TOOL	1-K2	200	2	BEARING, NEEDLE, 22X26X11	1-D1	51	27
BAG, TOOL, 200MM	1-K2	200	2	BEARING, NEEDLE, 32X38X20	1-C1	27	12
BALL	1-J2	176	10	BEARING, NEEDLE, 40X47X31	1-B12	25	25
BALL, STEEL #5	1-G6	113	67	BEARING, RADIAL BALL, 16003	1-B12	24	24
BAND A2 WIRE	1-J11195		41	BEARING, RADIAL BALL, 16312C3	1-H4	133	28
BAND B1 WIRE	1-F4	85	6	BEARING, RADIAL BALL, 5206	1-D7	63	24
	1-K3	202	8	BEARING, RADIAL BALL, 57/34C3	1-H4	133	29
	1-K4	205	19	BEARING, RADIAL BALL, 6204UU	1-H2	129	15
BAND FUEL TUBE	1-H6	137	9	BEARING, RADIAL BALL, 6206	1-D1	51	25
BAND FUSE	1-J8	189	20	BEARING, RADIAL BALL, 6302U	1-G10120		18
BAND INSULATOR	1-B2	5	9	BEARING, RADIAL BALL, 6302UU	1-G10120		18
	1-B4	9	8	BEARING, RADIAL BALL, 6304	1-C8	41	27
	1-I6	161	9	BEARING, RADIAL BALL, 6304UU	1-H2	129	16
BAND L EX PIPE	1-I6	161	12	BEARING, RADIAL BALL, 6305	1-H4	133	30
BAND L MUFFLER	1-I6	161	8	BEARING, 16005	1-D3	54	25
BAND R EX PIPE	1-I6	161	11	BEARING, 39203J	1-I12173		23
BAND R MUFFLER	1-F11	99	20	BOLT COMP. OIL CONTROL	1-B2	5	16
BAND SELF LOCK	1-J8	189	19	BOLT 2. STUD, 6X32	1-B3	6	20
BAND WIRE	1-K4	205	20		1-B5	10	15
	-I10169		5	BOLT-WASHER, 6X16	1-C1	27	14
BAR ASSY., SIDE STAND	1-I9	167	10	BOLT, ADJUSTING	1-F7	90	24
BAR COMP. L FOOTPEG	1-I9	166	3		1-F8	93	21
BAR COMP. R FOOTPEG	1-I9	167	18	BOLT, CAM CHAIN GUIDE A	1-B8	16	7
BAR L PILLION FOOTPEG	1-I9	167	17	BOLT, CAP, 6X25	1-H7	139	28
BAR R PILLION STEP	1-F10	97	3	BOLT, CONNECTING ROD	1-C10	45	7
BASE COMP., CONTACT	1-J6	185	7	BOLT, CONTROL LEVER SOCKET, 5X5	1-F7	90	25
BASE COMP., LICENSE LIGHT	1-J6	185	3		1-F8	93	22
BASE COMP. TAILLIGHT	1-D10	68	28	BOLT, DRAIN PLUG, 12MM	1-C5	35	19
BASE AIR CLEANER	1-B1	2	3	BOLT, FLANGE SOCKET, 6X25	1-K3	202	10
BASE HEAD COVER	1-J4	181	2		1-K4	205	22
BASE TURN SIGNAL	1-I2	153	12	BOLT, FLANGE SOCKET, 8X90	1-D7	62	15
BATTERY	1-C10	45	8	BOLT, FLANGE, 10X220	1-K1	198	25
BEARING A. CONNECTING ROD	1-C11	47	10	BOLT, FLANGE, 10X355	1-K1	198	24
BEARING A. CRANKSHAFT				BOLT, FLANGE, 10X38	1-H4	133	23
				BOLT, FLANGE, 10X50	1-G8	116	27
				BOLT, FLANGE, 10X53	1-G8	116	27
				BOLT, FLANGE, 10X65	1-K1	198	23
				BOLT, FLANGE, 10X67	1-K1	198	23
				BOLT, FLANGE, 12X40	1-C1	27	10

## Description Index

Description	Grid	Page	Ref. No.	Description	Grid	Page	Ref. No.
BOLT, FLANGE, 12X40	1-C2	29	10	BOLT, FLANGE, 6X35	1-D5	59	32
BOLT, FLANGE, 6X10	1-G1	103	48		1-F1	79	15
	1-G1	103	47	BOLT, FLANGE, 6X40	1-C7	39	16
	1-G8	117	30		1-J11195		44
	1-H1	126	26	BOLT, FLANGE, 6X45	1-C2	29	15
	1-H8	140	36		1-C6	36	24
	1-J11195		45	BOLT, FLANGE, 6X50	1-C8	40	17
	1-K1	199	36		1-C8	40	19
BOLT, FLANGE, 6X100	1-C8	41	21	BOLT, FLANGE, 6X52	1-C8	40	13
BOLT, FLANGE, 6X12	1-B3	7	25		1-B2	5	10
	1-C2	29	12	BOLT, FLANGE, 6X54	1-B4	9	9
	1-C7	39	14		1-B4	9	10
	1-C8	41	26	BOLT, FLANGE, 6X55	1-C3	31	12
	1-G1	103	49	BOLT, FLANGE, 6X6	1-K1	199	36
	1-G11123		25	BOLT, FLANGE, 6X70	1-C3	31	19
	1-H9	143	14		1-C6	37	25
	1-I1	151	38	BOLT, FLANGE, 6X90	1-C8	40	20
	1-I3	155	39	BOLT, FLANGE, 8X14	1-C1	27	15
BOLT, FLANGE, 6X14	1-B3	7	26		1-F1	79	12
	1-B9	19	25	BOLT, FLANGE, 8X16	1-K1	199	35
	1-C6	36	23		1-F11	99	13
	1-D5	58	28	BOLT, FLANGE, 8X19	1-G8	117	31
	1-G2	105	2	BOLT, FLANGE, 8X20	1-G11123		26
	1-H8	140	37	BOLT, FLANGE, 8X25	1-J3	179	23
	1-I3	155	40	BOLT, FLANGE, 8X27	1-H4	133	22
	1-I5	159	36	BOLT, FLANGE, 8X32	1-D3	54	29
	1-J8	189	23		1-J1	174	27
BOLT, FLANGE, 6X16	1-J11195		42	BOLT, FLANGE, 8X35	1-C8	41	22
	1-B9	19	24	BOLT, FLANGE, 8X37	1-I7	162	21
	1-D1	51	29	BOLT, FLANGE, 8X40	1-I11171		16
	1-D3	55	30	BOLT, FLANGE, 8X49	1-G8	116	25
	1-D5	59	29		1-G12125		21
	1-J3	179	22	BOLT, FLANGE, 8X50	1-C8	41	23
BOLT, FLANGE, 6X20	1-C2	29	13	BOLT, FLANGE, 8X55	1-G8	116	26
	1-D5	58	27	BOLT, FLANGE, 8X60	1-K1	198	21
	1-H8	140	38	BOLT, FLANGE, 8X65	1-C8	41	24
	1-J9	190	24	BOLT, FLANGE, 8X70	1-D7	63	31
BOLT, FLANGE, 6X22	1-C3	31	17		1-I7	162	20
	1-D5	59	30	BOLT, FLANGE, 8X80	1-C8	41	25
	1-I8	165	20	BOLT, FR. DISK, 8X33	1-H2	129	11
BOLT, FLANGE, 6X25	1-C4	33	11	BOLT, FR. DISK, 8X57	1-G9	119	15
	1-D5	59	31	BOLT, FR. DISK, 8X59	1-G9	119	15
	1-I11170		10	BOLT, FR. FORK	1-G4	109	36
	1-I11170		15	BOLT, GEARSHIFT PEDAL PIVOT	1-I8	164	6
	1-I11171		15	BOLT, HEX, 10X35	1-J2	177	20
	1-J11195		43	BOLT, HEX, 6X12	1-H5	135	38
BOLT, FLANGE, 6X28	1-B10	21	12	BOLT, HEX, 6X16	1-C6	36	23
	1-C3	31	18		1-H4	133	24
	1-C6	37	26	BOLT, HEX, 6X8	1-I9	167	24
	1-D7	63	32		1-G6	112	64
BOLT, FLANGE, 6X32	1-C7	39	15	BOLT, HEX, 8X104	1-D7	62	17
	1-I3	155	41	BOLT, L. RR. SWINGARM PIVOT	1-I12173		18
BOLT, FLANGE, 6X35	1-B10	21	13	BOLT, OIL	1-B2	5	15
	1-C2	29	14				

## Description Index

Description	Grid	Page	Ref. No.	Description	Grid	Page	Ref. No.
BOLT. OIL CONTROL	1-B2	5	16	BOLT. STUD. 6X45	1-B3	6	20
BOLT. OIL. 10X22	1-F7	90	29	BOLT. STUD. 6X50	1-B5	10	15
	1-F9	94	29		1-B3	6	20
	1-G11123		18		1-B5	10	15
BOLT. OIL. 10X34	1-F7	91	30	BOLT. TIE ROD	1-18	165	16
BOLT. PIN	1-G7	115	15	BOLT. UBS. 10X103	1-C7	39	6
	1-G12125		14	BOLT. UBS. 10X113	1-C7	39	7
BOLT. R. HANDLEBAR PIVOT	1-F7	90	27	BOLT. UBS. 10X177	1-B2	5	14
	1-F8	93	27		1-B5	10	13
BOLT. R. RR. SWINGARM PIVOT	1-I12173		17	BOLT. UBS. 10X34	1-H2	129	12
BOLT. RADIATOR VALVE SETTING	1-J10193		30	BOLT. UBS. 10X80	1-C7	39	5
BOLT. RECESSED. 5X12	1-F1	79	14	BOLT. UBS. 10X90	1-C7	39	8
BOLT. RR. BRAKE STOPPER ARM	1-G12125		20	BOLT. UBS. 10X94	1-B2	5	13
BOLT. SEALING. 8MM	1-H4	133	21		1-B5	10	12
BOLT. SETTING	1-C4	32	4	BOLT. UBS. 7X15	1-B9	18	17
BOLT. SIDE STAND PIVOT	1-I11170		10	BOLT. UBS. 8X151	1-B2	5	12
BOLT. SIDE STAND RUBBER SET	1-I11171		15		1-B4	9	11
BOLT. SLOT. 5X12	1-F1	79	14	BOLT. UBS. 8X65	1-D7	62	16
BOLT. SOCKET	1-G5	110	49	BOOT	1-G7	115	16
	1-I9	167	22		1-G12125		15
BOLT. SOCKET. 10X25	1-K1	198	22	BOOT COMP	1-F6	89	8
BOLT. SOCKET. 10X28	1-K1	198	22		1-F8	93	10
BOLT. SOCKET. 10X30	1-G1	102	29	BOOT JOINT	1-I12173		14
	1-K1	198	26	BOOT MASTER CYLINDER	1-F6	89	14
BOLT. SOCKET. 10X35	1-K1	198	26		1-F8	93	15
BOLT. SOCKET. 10X40	1-G8	116	24		1-G10121		4
BOLT. SOCKET. 6MM	1-G5	110	49	BOOT PIN	1-G7	115	17
BOLT. SOCKET. 6X18	1-G5	111	49		1-G12125		16
BOLT. SOCKET. 6X22	1-F7	90	28	BOOT. PISTON CASE	1-G4	108	31
	1-F9	94	28	BOSS. OIL FILTER	1-C5	35	12
BOLT. SOCKET. 6X23	1-F7	90	28	BOX ASSY. FUSE	1-F12101		12
	1-F9	94	28	BOX ASSY. PILOT	1-F2	81	18
BOLT. SOCKET. 7X32	1-F11	99	16	BOX ASSY. PILOT LOWER	1-F3	82	20
BOLT. SOCKET. 8MM	1-G5	111	50	BOX ASSY. PILOT UPPER	1-F3	82	19
BOLT. SOCKET. 8X17	1-G5	111	52	BOX ASSY. SPEEDOMETER GEAR	1-G9	119	9
	1-I9	167	21	BOX COMP. BATTERY	1-I2	153	22
BOLT. SOCKET. 8X18	1-I9	167	22	BOX. TOOL	1-H9	142	7
BOLT. SOCKET. 8X22	1-D6	61	14	BRACKET A. IGNITION COIL	1-J8	188	4
	1-F11	99	15	BRACKET ASSY. TENSIONER	1-B7	15	3
	1-J3	179	17	BRACKET COMP. CAM CHAIN TENSIONER			
BOLT. SOCKET. 8X28	1-G5	111	51	HOLDER	1-B8	17	16
BOLT. SOCKET. 8X32	1-F11	99	17	BRACKET COMP. L	1-F1	79	8
BOLT. SOCKET. 8X40	1-F11	99	14	BRACKET COMP. L. FR.	1-G7	115	10
BOLT. SPECIAL FLANGE. 8X16	1-F1	79	12	BRACKET COMP. R.	1-F1	79	9
BOLT. SPECIAL FLANGE. 8X26	1-F1	79	13	BRACKET COMP. R. FR.	1-G8	116	21
BOLT. SPECIAL FLANGE. 8X30	1-18	165	17	BRACKET COMP. RR.	1-G12125		5
BOLT. SPECIAL FLANGE. 8X45	1-I7	162	22	BRACKET. IGNITION COIL	1-J8	188	5
BOLT. SPECIAL SOCKET	1-F11	99	14	BRACKET. L. FOOTPEG	1-I9	167	11
BOLT. SPECIAL. 6X29	1-B1	2	5	BRACKET. L. GRAB RAIL	1-J3	179	12
BOLT. SPECIAL. 6X8	1-J5	183	18	BRACKET. L. LICENSE PLATE	1-J7	187	15
BOLT. SPECIAL. 7X18	1-D2	53	20	BRACKET. R. FOOTPEG	1-I9	166	4
BOLT. STUD. 10X50	1-H5	135	39	BRACKET. R. GRAB RAIL	1-J3	179	11
BOLT. STUD. 6X32	1-B3	6	20	BRACKET. SIDE STAND RUBBER	1-I11170		9
	1-B5	10	15	BRAKE PALLET	1-G8	117	NI

## Description Index

Description	Grid	Page	Ref. No.	Description	Grid	Page	Ref. No.
BRAKE PAD KIT	1-H1	126	NI	CAP ASSY. 4. SPARK PLUG	1-J8	189	15
BREATHING ASSY	1-H3	131	5	CAP ASSY. AIR VALVE	1-G4	109	38
BRIDGE. CALIPER BRACKET	1-G7	115	13	CAP B. CONNECTING PIPE	1-D4	57	9
BRIDGE. FORK TOP	1-F10	97	10	CAP COMP. 1. SPARK PLUG	1-J8	188	8
BULB	1-F2	80	1	CAP COMP. 2. SPARK PLUG	1-J8	189	9
	1-J7	186	12	CAP COMP. 3. SPARK PLUG	1-J8	189	10
BULB. HEADLIGHT	1-F1	78	5	CAP COMP. 4. SPARK PLUG	1-J8	189	11
BULB. LICENSE LIGHT	1-J7	186	12	CAP COMP. FUEL FILLER	1-H7	138	19
BULB. STOP & TAILLIGHT	1-J5	183	17	CAP COMP. OIL CUP	1-G10121		5
BULB. TAILLIGHT	1-J7	186	13	CAP COMP. RADIATOR	1-J10192		7
BULB. TURN SIGNAL	1-J5	183	16	CAP. BLEEDER SCREW	1-C3	31	11
BULB. WEDGE BASE	1-F2	80	1		1-D4	57	19
BULB. WEDGE BASE 12V3W	1-F2	80	2		1-G7	114	3
BULB. 12V23 7W 1034	1-J5	183	17		1-G12125		8
BULB. 12V60 55W H4	1-F1	78	5	CAP. BREATHER	1-H3	131	5
BUSH	1-F8	92	6	CAP. CONTROL LEVER	1-F6	89	21
BUSH B. SLIDER	1-G3	107	18		1-F8	93	20
BUSH. GUIDE	1-G3	107	14	CAP. DUST	1-H11147		17
BUSH. SLIDER	1-G3	107	15	CAP. GRIP RUBBER	1-F5	87	15
BUSH. UPPER RUBBER	1-J2	176	13	CAP. L. LOCK NUT	1-I12173		21
				CAP. MAIN GALLERY	1-C7	38	3
(C)				CAP. MAIN STAND PIPE	1-K1	198	20
CABLE A. GUARD	1-D4	57	10	CAP. MASTER CYLINDER	1-F6	89	10
CABLE ASSY. SPEEDOMETER	1-F3	82	22		1-F8	93	12
CABLE COMP. A. THROTTLE	1-F4	85	1	CAP. OIL FILTER	1-B10	20	3
CABLE COMP. B. THROTTLE	1-F4	85	2	CAP. R. LOCK NUT	1-I12173		20
CABLE COMP. CHOKE	1-F4	85	3	CAP. RESERVE TANK	1-J10192		13
CABLE BATTERY GROUND	1-I2	153	13	CAP. SCREW	1-J8	188	1
CABLE BATTERY STARTER	1-H10145		2	CAP. SOCKET BOLT. 10MM	1-G1	103	41
CABLE. INNER	1-F3	82	23		1-I9	167	23
CABLE. SECURITY LOCKING	1-H12149		29		1-J3	179	19
CABLE. STARTER MOTOR	1-H10145		3	CAP. SOCKET BOLT. 8MM	1-F11	99	22
CALIPER ASSY. L. FR.	1-G7	115	18		1-G6	112	63
CALIPER ASSY. RR.	1-G12124		1	CAP. STARTING CLUTCH ROLLER SPRING	1-C1	27	7
CALIPER COMP. L.	1-G7	114	6	CAP. TAPPET ADJUSTING HOLE	1-H3	130	1
CALIPER COMP. R.	1-G7	115	19	CARBURETOR ASSY	1-D8	65	18
CALIPER COMP. RR.	1-G12124		2	CARBURETOR ASSY. 1	1-D8	65	19
CAM. DAMPER	1-I12172		2	CARBURETOR ASSY. 2	1-D9	66	20
CAMSHAFT COMP. FR. EX.	1-B6	13	4	CARBURETOR ASSY. 3	1-D9	67	21
CAMSHAFT COMP. FR. IN.	1-B6	12	2	CARBURETOR ASSY. 4	1-D9	67	22
CAMSHAFT COMP. RR. EX.	1-B6	13	5	CARTRIDGE. OIL FILTER	1-C5	35	10
CAMSHAFT COMP. RR. IN.	1-B6	12	3	CASE A. ADJUSTER	1-J1	175	3
CANCEL UNIT. TURN SIGNAL	1-F12100		5	CASE ASSY. L. PISTON	1-G5	110	44
	1-F12100		4	CASE ASSY. SIDE GEAR	1-D6	60	5
CANISTER COMP.	1-K3	202	2	CASE B. ADJUSTER	1-J1	175	4
	1-K4	204	4	CASE COMP. AIR CLEANER	1-I4	156	1
CAP A. CONNECTING	1-D4	56	8	CASE COMP. BATTERY	1-H11147		18
CAP ASSY. 1. SPARK PLUG	1-J8	189	12	CASE COMP. R. LOWER	1-G3	107	19
CAP ASSY. 2. HIGH TENSIONER	1-J8	189	13	CASE COMP. SIDE GEAR	1-D6	60	6
CAP ASSY. 2. SPARK PLUG	1-J8	189	13	CASE SET. FINAL GEAR	1-H3	131	7
CAP ASSY. 3. SPARK PLUG	1-J8	189	14	CASE COUPLER HOLDER	1-F12101		24
				CASE FINAL GEAR DRIVEN	1-H3	130	3
				CASE FUSE	1-J8	189	18
				CASE HEADLIGHT	1-F1	78	6

## Description Index

Description	Grid	Page	Ref. No.	Description	Grid	Page	Ref. No.
CASE, L. LOWER	1-G4	109	43	CLIP, TUBE, B12.5	1-I5	159	31
CASE, THERMOSTAT	1-D4	56	2		1-J11194		38
CENTER A. CLUTCH	1-B11	22	4		1-K4	205	27
CENTER B. CLUTCH	1-B11	22	5	CLIP, TUBE, B6.5	1-D10	69	46
CHAIN, CAM	1-B7	15	2	CLIP, TUBE, B7	1-D10	69	43
CHAIN, OIL PUMP	1-C5	35	8	CLIP, TUBE, B9	1-K3	202	14
CHAMBER COMP. BREATHER	1-I4	157	15		1-K4	205	26
CHAMBER COMP. EX.	1-I6	160	4	CLIP, TUBE, C11	1-I5	159	33
CHAMBER SET. FLOAT	1-D11	71	4		1-J11194		39
CHECK UNIT, PILOT LAMP	1-J3	179	9	CLIP, TUBE, C12	1-J11194		40
CIRCLIP	1-F7	91	32	CLIP, TUBE, D12	1-I3	155	37
	1-G11122		13	CLIP, TUBE, 10.5MM	1-I5	159	32
CIRCLIP, INTERNAL	1-G4	109	34	CLIP, WIRE	1-F5	86	10
CIRCLIP, INTERNAL, 18MM	1-F9	94	31		-F12100		3
CIRCLIP, INTERNAL, 95	1-B12	24	23	CLUTCH, ONE WAY	1-B11	23	13
CIRCLIP, 28MM	1-D1	51	24	COIL COMP. IGNITION	1-J8	188	7
CLAMP	1-G1	103	40		1-J8	188	6
CLAMP A. WATER HOSE	1-D4	57	20	COLLAR A. ENGINE HANGER	1-J12197		16
CLAMP A. WATER PIPE	1-D4	57	13	COLLAR B. ENGINE HANGER	1-J12197		17
CLAMP B. WATER HOSE	1-D4	56	6	COLLAR B. RR. DISTANCE	1-H4	133	20
CLAMP, ALTERNATOR WIRE	1-C2	29	8	COLLAR C. ENGINE HANGER	1-J12197		18
CLAMP, CLUTCH HOSE	1-J12197		15	COLLAR COMP. FR. AXLE DISTANCE	1-G9	118	5
CLAMP, MASTER CYLINDER OIL HOSE	1-G11122		8	COLLAR, CANISTER SETTING	1-K3	202	7
CLAMP, PULSER WIRE	1-B10	20	6		1-K4	205	18
CLAMP, SPEEDOMETER CABLE	1-G7	114	4	COLLAR, CHAIN CASE	1-I9	166	1
CLAMP, SPEEDOMETER SENSOR WIRE	1-I8	165	15	COLLAR, FR. FENDER	1-H7	139	23
CLAMP, STARTER CABLE	1-B10	20	7	COLLAR, FR. WHEEL SIDE	1-G9	118	4
CLAMP, SWITCH WIRE	1-B10	20	8	COLLAR, FUEL PUMP DISTANCE	1-I2	152	3
CLAMP, TUBE	1-I3	155	38	COLLAR, FUEL TANK FR. MOUNTING	1-H7	138	18
CLAMP, WATER HOSE	1-D4	56	6	COLLAR, GEAR CHANGE PEDAL PIVOT	1-I8	164	2
	1-D4	57	20	COLLAR, GEARSHIFT DRUM STOPPER	1-D2	53	12
	1-J10193		29	COLLAR, GEARSHIFT PEDAL PIVOT	1-I8	164	2
	1-J12197		12	COLLAR, HEADLIGHT CASE	1-F1	79	7
CLIP A12 TUBE	1-I3	155	33	COLLAR, LINK	1-G12125		10
CLIP A14 TUBE	1-H8	140	35	COLLAR, MUFFLER SETTING	1-I6	161	17
CLIP S. BRAKE PIPE	1-H7	139	22	COLLAR, PISTON	1-G3	107	20
CLIP, AIR HOSE, 16	1-I4	157	19	COLLAR, RADIATOR SETTING	1-J10192		9
CLIP, AIR HOSE, 21.5	1-I4	157	18		1-J10193		19
CLIP, AIR VENT TUBE	1-B10	20	5	COLLAR, RR. AXLE DISTANCE	1-H1	127	5
CLIP, BREATHER TUBE	1-I4	157	13	COLLAR, RR. BRAKE SIDE	1-H1	127	3
	1-K3	202	1	COLLAR, RR. FENDER	1-H7	139	23
	1-K4	204	1	COLLAR, RR. SHOCK ABSORBER	1-J2	176	12
CLIP, HOSE	1-I3	154	29	COLLAR, SENSOR	1-G1	103	32
CLIP, PISTON PIN, 1.2X20	1-C11	47	11		1-G1	103	33
CLIP, PISTON PIN, 15MM	1-B12	25	26	COLLAR, SPLINE, 28X11.99	1-C12	49	6
CLIP, PULSER WIRE	1-C1	27	9	COLLAR, SPLINE, 28X16.34	1-C12	49	15
CLIP, R. CABLE	1-J10193		25	COLLAR, SPRING	1-G3	106	3
CLIP, TUBE	1-D9	67	26	COLLAR, STAND RUBBER SETTING	1-I10169		8
	1-I3	155	36	COLLAR, 28X12	1-C12	49	8
CLIP, TUBE, B10	1-D10	69	44	COLLAR, 28X13.95	1-C12	49	12
	1-I3	155	34	COLLAR, 30.2X9.2	1-B11	23	18
CLIP, TUBE, B12	1-D10	69	45	CONNECTOR, MASTER CYLINDER	1-G10121		3
	1-I3	155	35	CONTROL LEVER ASSY., L. HANDLEBAR	1-F8	93	26
	1-I5	159	30	CONTROL LEVER, L. HANDLEBAR	1-F8	93	23

## Description Index

Description	Grid	Page	Ref. No.	Description	Grid	Page	Ref. No.
CONTROL LEVER, L. HANDLEBAR	1-F8	93	24	CUP, PISTON	1-C3	31	9
CONTROL LEVER, R. HANDLEBAR	1-F6	89	22	CYLINDER ASSY., CLUTCH MASTER	1-F8	92	4
	1-F7	90	23		1-F8	92	3
COTTER, VALVE	1-B7	14	15	CYLINDER ASSY., CLUTCH SLAVE	1-C3	30	5
COVER A. CYLINDER HEAD	1-B1	2	1	CYLINDER ASSY., FR. BRAKE MASTER	1-F6	89	7
COVER A. MAGNETIC SWITCH	1-H10145		7		1-F6	89	6
COVER ASSY., R.	1-B10	20	1	CYLINDER ASSY., FR. CLUTCH MASTER	1-F8	92	3
COVER B. CYLINDER HEAD	1-B1	2	2	CYLINDER ASSY., RR. BRAKE MASTER	1-G10121		2
COVER COMP., L. SIDE	1-H11147		25	CYLINDER SET, MASTER	1-F6	89	16
COVER COMP., R. SIDE	1-H11147		22		1-G11122		9
COVER COMP., WATER PUMP	1-C3	30	3	CYLINDER SUB ASSY., FR. BRAKE	1-F6	89	6
COVER SET, L. SIDE	1-H12149		25				
COVER SET, R. SIDE	1-H11147		22				
COVER, AIR CLEANER CHAMBER BASE	1-I4	156	3	(D)			
COVER, ALTERNATOR	1-C2	28	1	DAMPER COMP., L. RR	1-J2	176	17
COVER, BATTERY TERMINAL	1-H10145		4	DAMPER COMP., RR	1-J1	175	5
	1-I2	153	14	DIAGRAM, VACUUM HOSE ROUTING	1-H7	139	25
COVER, CLUTCH	1-D6	60	1	DIAPHRAGM	1-F6	89	13
COVER, COUPLER HOLDER	1-F12101		25		1-F8	93	14
COVER, DAMPER	1-I12172		5	DIPSTICK	1-G11122		11
COVER, DUST	1-I8	164	5	DISK A. CLUTCH FRICTION	1-B11	23	8
COVER, FUSE	1-H10145		11	DISK, L. FR. BRAKE	1-G9	119	14
COVER, FUSE HOLDER	1-G1	102	26	DISK, R. FR. BRAKE	1-G9	119	13
COVER, GEAR CASE	1-H3	131	8	DISK, RR. BRAKE	1-H2	128	10
COVER, HANDLEBAR	1-F10	97	8	DRIVER 1, PLUS SCREW	1-K2	201	14
COVER, INDICATOR SWITCH	1-C2	28	3	DRIVER 3 MINUS SCREW	1-K2	201	15
COVER, L. AIR CLEANER CHAMBER	1-I4	157	8	DRUM ASSY., GEARSHIFT	1-D2	52	5
COVER, L. CANISTER	1-K3	202	4	DRUM, GEARSHIFT	1-D2	53	6
	1-K4	204	6	DUST SEAL	1-G5	111	55
COVER, L. FR. SIDE	1-I5	158	22		1-G7	115	9
COVER, L. RADIATOR	1-J10193		17	DUST SEAL, STEERING HEAD	1-F12101		20
COVER, L. RR. RADIATOR	1-J10193		24		1-F12101		21
COVER, LICENSE LIGHT	1-J7	186	10	DUST SEAL, 26X40X5	1-J1	174	24
COVER, LOWER	1-F3	82	21	DUST SEAL, 30X52X7	1-H2	129	13
COVER, MAGNETIC SWITCH TERMINAL	1-H10145		6	DUST SEAL, 40X50X5	1-G10120		17
COVER, MIDDLE ARM	1-I8	165	13				
COVER, R.	1-B10	20	1	(E)			
COVER, R. AIR CLEANER CHAMBER	1-I4	157	7	ELEMENT, AIR CLEANER	1-I4	156	2
COVER, R. CANISTER	1-K3	202	3	EMBLEM, L. FUEL TANK	1-H6	137	11
	1-K4	204	5	EMBLEM, R. FUEL TANK	1-H6	137	10
COVER, R. FR. SIDE	1-I5	158	21	EMBLEM, RR. SHOCK	1-J2	176	14
COVER, R. RADIATOR	1-J10193		16	EMBLEM, SIDE COVER	1-H11147		24
COVER, R. RR. RADIATOR	1-J10193		23	EMBLEM, TOOL BOX	1-H9	143	9
COVER, RR.	1-C3	30	1	EQUALIZER ASSY., FR. SHOCK	1-G5	110	47
COVER, RUBBER	1-F1	78	4				
COVER, SPEEDOMETER	1-F2	81	9	(F)			
COVER, STARTING MOTOR TERMINAL	1-H10145		5	FAN COMP. COOLING	1-J9	191	4
COVER, TACHOMETER	1-F2	81	14				
COVER, THERMOSTAT	1-D4	56	3				
COVER, TOOL BOX	1-H9	143	8				
COWL, RR.	1-H9	142	5				
CRANKCASE SET	1-C7	38	1				
CRANKSHAFT COMP	1-C10	45	9				
CUP, MASTER CYLINDER OIL	1-G10121		6				





## Description Index

Description	Grid	Page	Ref. No.	Description	Grid	Page	Ref. No.
(L)							
LABEL A	1-J2	176	15	NET COMP. AIR CLEANER BASE	1-I4	157	6
LABEL BATTERY CAUTION	1-H12149	26		NUT-WASHER, 6MM	1-C4	33	7
LABEL BREAK IN CAUTION	1-F3	82	24	NUT, CAP, 10MM	1-J2	177	21
LABEL FAN MOTOR FUSE	1-I4	157	20	NUT, CAP, 6MM	1-F3	83	35
LABEL FR. FORK CAUTION	1-F11	99	12		1-F7	91	36
LABEL HELMET HOLDER	1-J3	179	16		1-H12149	33	
LABEL JACK UPPER WARNING	1-K3	202	9		1-I5	158	29
	1-K4	205	21		1-I7	162	23
LABEL RADIATOR VALVE CAUTION	1-J10192	11			1-J10193	31	
LABEL RESERVE TANK	1-H12149	27		NUT, CONNECTING ROD	1-C10	45	5
LABEL TIRE CAUTION	1-I12173	16		NUT, FLANGE, 10MM	1-K1	199	33
LENS, LICENSE	1-J6	185	8		1-K1	199	34
LENS, TURN SIGNAL	1-J4	181	3	NUT, FLANGE, 12MM	1-J6	184	22
LEVER COMP. L HANDLEBAR	1-F8	93	23	NUT, FLANGE, 18MM	1-H4	133	25
LEVER COMP. R HANDLEBAR HANDLEBAR	1-F6	89	17	NUT, FLANGE, 4MM	1-J7	187	17
LEVER SET A LINK	1-D8	64	1	NUT, FLANGE, 5MM	1-J3	179	20
LEVER CHOKE	1-F4	85	4		1-J11194	35	
LEVER FUEL VALVE	1-H6	136	3	NUT, FLANGE, 6MM	1-F7	91	36
LEVER R HANDLEBAR	1-F6	89	22		1-F9	95	35
LIFTER DAMPER	1-I12172	3			1-G1	102	30
LIGHT ASSY, LICENSE	1-J6	185	6		1-H9	143	13
LINK SET A STARTER	1-D8	64	2		1-I7	163	30
LINK SET B STARTER	1-D8	64	5		1-J3	179	21
LINK SET C STARTER	1-D8	65	9		1-J7	187	18
LOCK BEARING ADJUSTING	1-H3	131	12		1-J8	189	22
	1-H3	131	11		1-J8	189	21
				NUT, FLANGE, 8MM	1-J11194	36	
(M)							
MAINSHAFT	1-C12	48	1		1-F3	83	37
MARK ACCESSORIES & LOADING CAUTION	1-H9	143	10		1-G12125	23	
MARK CHOKE	1-F8	92	2		1-I7	163	31
MARK DRIVE CAUTION	1-H7	139	26		1-I11170	12	
MARK FR SHOCK	1-G4	109	40		1-J6	184	21
MARK L FUEL TANK	1-H6	137	11	NUT, GOVERNOR ARM FIXING	1-K1	199	27
MARK R FUEL TANK	1-H6	137	10	NUT, HEX, 10MM	1-I8	165	18
MARK RADIATOR CAUTION	1-H12149	28			1-I11170	11	
MARK SIDE COVER	1-H11147	24		NUT, HEX, 16MM	1-I12173	19	
MIRROR, L	1-F5	87	17	NUT, HEX, 3MM	1-H4	133	26
MIRROR, R	1-F5	87	16		1-F3	83	34
MOTOR ASSY, STARTER	1-C4	32	1	NUT, HEX, 6MM	1-F3	83	36
MOTOR COOLING FAN	1-J9	191	5		1-D3	54	28
MOTOR FAN	1-J9	191	5		1-F3	83	35
MUFFLER COMP. L	1-I7	162	19		1-H12149	32	
MUFFLER COMP. R	1-I6	161	6	NUT, HEX, 8MM	1-I8	165	19
(N)							
NEEDLE FR JET	1-D12	72	15	NUT, INSTRUMENT SETTING	1-G11123	23	
NEEDLE JET	1-D12	72	15	NUT, LOCK, 25MM	1-F3	82	24
				NUT, LOCK, 30MM	1-B11	23	17
				NUT, LOCK, 35MM	1-D7	62	18
				NUT, LOCK, 64MM	1-D7	62	20
				NUT, LOCK, 75MM	1-D7	62	21
				NUT, RR SWINGARM PIVOT	1-I12173	22	
				NUT, SELF LOCK 8MM	1-G12125	22	
				NUT, SPECIAL 6MM	1-I3	154	26
					1-I5	158	24

## Description Index

Description	Grid	Page	Ref. No.	Description	Grid	Page	Ref. No.
NUT, SFFED, 3MM	1-H9	143	11	O-RING, 5.7X2.2	1-E2	77	14
NUT, STEERING STEM	1-F11	99	18	O-RING, 5.8X1.9	1-G5	111	56
NUT, TAPPET ADJUSTING	1-B7	14	17	O-RING, 58.5X3.5	1-H5	135	37
				O-RING, 58X2	1-D5	58	23
					1-E2	77	13
(O)							
O-RING	1-C4	33	9	O-RING, 6.8X1.9	1-F3	83	27
	1-C4	33	8		1-G5	111	58
	1-G5	111	59	O-RING, 7.7X2.3	1-C5	35	18
	1-G6	112	62	O-RING, 7.8X2.2	1-C5	35	18
	1-G6	112	61	O-RING, 70X3	1-D7	63	30
O-RING B, 6.8X1.9	1-F3	83	27		1-E2	77	19
	1-G5	111	58	O-RING, 8.4X2.4	1-B10	21	11
O-RING D, 13.8X2.4	1-G5	111	57	O-RING, 9.8X2.4	1-D7	63	28
O-RING, BATTERY CASE	1-H11147	20		OIL SEAL, 12.5X25X8	1-C7	39	10
O-RING, 12.5X1.4	1-J11194	33		OIL SEAL, 14X24X6	1-C7	39	11
O-RING, 13.5X1.4	1-J11194	33		OIL SEAL, 25X66X8.5	1-D7	63	27
O-RING, 13.8X2.4	1-G5	111	57	OIL SEAL, 34X50X7	1-H5	134	32
O-RING, 13X2.5	1-D5	58	25	OIL SEAL, 47X56X7	1-J1	174	25
O-RING, 14.6X3.7	1-C5	35	15	OIL SEAL, 60X80X8	1-H5	134	33
	1-E2	77	15	OIL SEAL, 8X18X5	1-C3	31	14
O-RING, 14.7X2.2	1-C5	35	17	OIL SEAL, 8X25X8	1-D7	63	26
	1-E2	77	17	OPEN END WRENCH 10X12	1-K2	201	11
O-RING, 14.8X2.2	1-C5	35	17	OPEN END WRENCH 14X17	1-K2	201	12
	1-E2	77	17	OPEN END WRENCH 8MM	1-K2	201	10
	1-C5	35	17	OPEN END WRENCH, PIN	1-K2	201	9
	1-E2	77	17	ORIFICE OIL CONTROL	1-D6	61	13
O-RING, 14.8X2.4	1-G11123	21		ORIFICE PIN, 10X16	1-D7	62	22
O-RING, 14MM	1-H12149	30		OUTER COMP. CLUTCH	1-B11	22	2
O-RING, 16.8X1.9	1-G8	117	28	OUTER COMP. STARTER CLUTCH	1-C1	26	5
O-RING, 18.3X2.3	1-D4	57	22	(P)			
	1-E2	76	10				
O-RING, 18.5X2.4	1-C5	35	16	PAD COMP, FR	1-G7	114	7
	1-E2	77	16	PAD COMP, RR	1-G12124	3	
O-RING, 18X2.8	1-C7	39	12	PAN, OIL	1-C5	34	1
	1-E2	77	12	PEDAL ASSY, GEARSHIFT	1-I8	164	1
O-RING, 19X1.9	1-J1	174	26	PEDAL COMP, GEARSHIFT	1-I8	164	3
O-RING, 21.5X2	1-B7	14	19	PEDAL COMP, RR, BRAKE	1-I8	165	10
	1-E1	74	7	PIECE B, OIL LOCK	1-G5	110	45
O-RING, 22X1.9	1-H5	135	35	PIECE, CLUTCH JOINT	1-B11	23	12
O-RING, 22X3.0	1-B10	21	9	PIECE, OIL LOCKING	1-G3	107	21
	1-E2	76	11	PIN A, ARM	1-B8	17	12
O-RING, 3x.70	1-D7	63	30	PIN A, DOWEL, 10X16	1-C7	39	13
	1-E2	77	19	PIN A, DOWEL, 12X20	1-B3	7	24
O-RING, 30.8MM	1-H5	135	34		1-B5	11	19
O-RING, 32.95X2.62	1-C3	31	15	PIN A, DOWEL, 8X14	1-B3	7	23
	1-E2	76	12		1-B5	11	18
O-RING, 35.2X2.4	1-H5	135	36		1-B10	21	10
O-RING, 35.2X2.4	1-H5	135	36		1-C3	31	16
O-RING, 37.5X2	1-G6	112	60		1-C6	36	22
O-RING, 38.5X2	1-G6	112	60	PIN C, PILLION STEP	1-I10168	29	
O-RING, 46X5X3.5	1-H2	129	14	PIN, BRAKE ROD	1-G11122	14	
O-RING, 49.4X3.1	1-G6	112	62	PIN, COTTER 1.6X10	1-I10168	27	
O-RING, 5.6X1.9	1-G5	111	56				
O-RING, 5.7X2.2	1-D7	63	29				

## Description Index

Description	Grid	Page	Ref. No.	Description	Grid	Page	Ref. No.
PIN. COTTER 1.6X15	1-G11123	24		PLATE	1-G8	116	23
	1-I10168	28			1-G12125		19
PIN. COTTER 1.6X25	1-G11123	24		PLATE A. DRUM	1-D2	53	8
	1-I10168	28		PLATE A. DRUM SETTING	1-D2	53	8
PIN. COTTER 2.0X15	1-H1	126	25	PLATE B. DRUM SETTING	1-D2	53	9
PIN. COTTER 2.0X25	1-C6	36	21	PLATE COMP., BATTERY SUPPORT	1-I3	154	23
PIN. COTTER 2.0X32	1-C6	36	21	PLATE SET. STAY	1-D8	65	11
PIN. COTTER 2.0X35	1-C6	36	21	PLATE SET. VALVE	1-D11	71	7
PIN. COTTER 2.5MM	1-I11170	13		PLATE BEARING SETTING	1-C12	48	2
PIN. HANGER	1-G12125	18		PLATE. CARBURETOR HEAT GUARD	1-J12196		2
PIN. HANGER RETAINER GROOVE. 4.0MM DIA.	1-G8	116	22	PLATE. CLUTCH	1-B11	23	9
PIN. KNOCK	1-D9	67	25	PLATE. CLUTCH LIFTER	1-B11	23	11
PIN. KNOCK. 8X14	1-C5	35	14	PLATE. CLUTCH PRESSURE	1-B11	23	10
PIN. LOCK. 5MM	1-B9	19	22	PLATE. COUPLER HOLDER	1-G1	102	28
PIN. LOCK. 6MM	1-B9	18	22	PLATE. DIAPHRAGM	1-F6	89	12
PIN. LOCK. 8MM	1-B9	19	23		1-F8	93	13
	1-H7	139	33		1-G11122		12
PIN. PARALLEL	1-G4	109	35	PLATE. DRUM CAM	1-D2	53	7
PIN. PISTON	1-C1	26	1	PLATE. DUST GUARD	1-H3	131	9
	1-C9	43	3	PLATE. FR. ENGINE HANGER	1-J12197		11
PIN. PISTON. 10X33	1-C1	26	1	PLATE. FUEL TANK HEAT GUARD	1-J12197		5
PIN. RING GEAR STOPPER	1-H3	131	15	PLATE. HEAT GUARD	1-J12197		19
PIN. SHIFT RETURN SPRING	1-D2	53	19	PLATE. KILL SWITCH SETTING	1-F5	86	8
PIN. SPECIAL LOCK. 6MM	1-B9	18	21	PLATE. L. SEAT LOCK	1-H9	142	4
PIN. STEP BAR JOINT	1-I9	166	2	PLATE. L. SIDE	1-H11147		19
PIN. 8X43.2	1-B8	17	10	PLATE. LOWER ANGLE SENSOR SUPPORT	1-F12100		8
PIPE A. OIL PATH	1-B2	5	5	PLATE. MAIN STAND SPRING	1-I10169		2
	1-B4	9	5	PLATE. MUDGUARD	1-J7	187	14
PIPE A. WATER	1-D4	57	12	PLATE. OIL SEPARATE	1-C7	38	2
PIPE ASSY. CLUTCH	1-F8	92	8	PLATE. R. SEAT LOCK	1-H8	141	3
PIPE B. OIL PATH	1-B2	5	6	PLATE. RR. ENGINE HANGER	1-J12197		14
PIPE B. SEAT	1-G5	110	46	PLATE. SETTING	1-D8	65	17
PIPE B. WATER	1-D4	57	15	PLATE. SPRING JOINT	1-G3	106	6
PIPE COMP. L. FR.	1-G4	109	42	PLATE. SPRING SETTING	1-B11	23	7
PIPE COMP. R. FR. SHOCK	1-G3	107	11	PLATE. STARTING MAGNETIC	1-H10145		12
PIPE. CONNECTING	1-D4	56	7	PLATE. UPPER ANGLE SENSOR SUPPORT	1-F12100		7
PIPE. L. HANDLEBAR	1-F10	97	9	PLIERS. 135	1-K2	201	13
PIPE. L. RR. EX.	1-I6	161	15	PLUG. BREATHER TUBE	1-I4	157	11
PIPE. MAIN STAND PIVOT	1-I10169		3	PLUG. SPARK	1-B3	7	27
PIPE. OIL	1-C5	35	11		1-B5	11	20
PIPE. OIL STRAINER	1-C5	34	5	PLUG. STORAGE TANK	1-I4	157	17
PIPE. OUTLET CONNECTING	1-D4	56	5	PROTECTOR	1-F6	89	9
PIPE. R. HANDLEBAR	1-F10	97	5		1-F8	93	11
PIPE. R. RR. EX.	1-I6	161	7	PROTECTOR. L. CHAMBER	1-I7	162	18
PIPE. SEAT	1-G4	108	29	PROTECTOR. R. CHAMBER	1-I6	161	10
PIPE. THROTTLE GRIP	1-F5	87	11	PROTECTOR. RR. EX PIPE	1-I6	160	5
PISTON	1-C9	43	2	PULLER. FUSE	1-F12101		13
	1-G4	108	25	PUMP ASSY., FUEL	1-I2	152	1
	1-G7	114	1	PUMP ASSY., OIL	1-C5	34	3
	1-G12125	11		PUMP COMP., WATER	1-C3	30	2
PISTON COMP. VACUUM	1-D11	71	14				
PISTON SET. CLUTCH MASTER CYLINDER	1-F8	92	7				
PISTON. SLAVE CYLINDER	1-C3	31	7				
PIVOT. FUEL TANK SUPPORT STAY	1-H7	138	13				

## Description Index

Description	Grid	Page	Ref. No.	Description	Grid	Page	Ref. No.
				(R)			
RADIATOR COMP	1-J9	191	2	RUBBER A. STAND STOPPER	1-I7	163	34
RAIL. RR. GRAB	1-J3	179	10	RUBBER B. MOUNTING	1-J12197		7
RECTIFIER ASSY. REGULATE	1-H10145		1	RUBBER C. MOUNTING	1-J12197		8
RECTIFIER ASSY. SILICON	1-J8	189	16	RUBBER D. MOUNTING	1-J12197		9
REFLECTOR. L. FR. REFLEX	1-J10193		27	RUBBER. AIR CLEANER CASE SETTING	1-H6	136	4
REFLECTOR. L. RR. REFLEX	1-J3	178	6	RUBBER. BATTERY BOX	1-H7	139	24
REFLECTOR. R. FR. REFLEX	1-J10193		26	RUBBER. BATTERY HOLDER	1-I3	154	24
REFLECTOR. R. RR. REFLEX	1-J3	178	5	RUBBER. CANISTER SETTING	1-K3	202	6
REFLECTOR. TURN SIGNAL	1-J4	181	4		1-K4	205	17
RELAY COMP., MAIN	1-I2	153	17	RUBBER. CHOKE	1-F4	85	5
RELAY COMP., POSITION	1-F12101		16	RUBBER. FUEL PUMP SETTING	1-I2	152	2
RELAY COMP., TURN SIGNAL	1-I2	153	19	RUBBER. FUEL STRAINER	1-I2	152	7
	1-I2	153	18	RUBBER. FUEL TANK FR.	1-H7	138	17
RELAY. FUEL CUT	1-I2	153	15	RUBBER. FUEL TANK MOUNTING	1-H7	138	16
RETAINER. BEARING	1-H3	131	10	RUBBER. FUEL TANK PIVOT	1-H6	137	7
RETAINER. BRACKET	1-G7	115	12	RUBBER. GEARSHIFT PEDAL	1-I8	165	7
RETAINER. GEAR BOX	1-G9	119	7	RUBBER. MAIN STEP	1-I9	167	13
RETAINER. RR. BRACKET	1-G12125		6	RUBBER. METER SETTING	1-F2	80	3
RETAINER. SPRING	1-B6	13	12	RUBBER. MUFFLER SETTING	1-I6	161	16
RETAINER. VALVE SPRING	1-B6	13	12	RUBBER. PILLION STEP	1-I9	167	19
RING SET. PISTON	1-C9	43	1	RUBBER. PURGE CONTROL VALVE SETTING	1-D10	69	33
RING. BACK UP	1-G3	107	13	RUBBER. RADIATOR SETTING	1-J10192		8
RING. DAMPER COVER	1-I12173		10		1-J10193		18
RING. HEADLIGHT	1-F1	78	2	RUBBER. SEAT STOPPER	1-H9	142	6
RING. PISTON	1-G4	108	26	RUBBER. SETTING	1-B1	2	7
RING. SEAL	1-C4	32	6	RUBBER. SHOCK	1-H10145		15
RING. SPRING STOPPER	1-I12173		9		1-H10145		14
RING. STOPPER	1-G3	107	9	RUBBER. SPARK UNIT	1-J3	178	2
	1-G3	107	8	RUBBER. SPEEDOMETER	1-F2	81	11
	1-G3	107	10	RUBBER. STAND	1-I10169		7
	1-I12173		11	RUBBER. STOPPER	1-G4	108	30
	1-J1	175	8	RUBBER. TACHOMETER	1-F2	81	15
ROD ASSY. A. FR. CONNECTING	1-C10	45	4	RUBBER. TAILLIGHT	1-J6	185	5
ROD ASSY. A. RR. CONNECTING	1-C10	45	6				
ROD ASSY. B. FR. CONNECTING	1-C10	45	4	(S)			
ROD ASSY. B. RR. CONNECTING	1-C10	45	6	SCREW SET	1-D8	64	8
ROD ASSY. C. FR. CONNECTING	1-C10	45	4	SCREW SET A	1-D11	71	5
ROD ASSY. C. RR. CONNECTING	1-C10	45	6	SCREW SET C	1-D11	71	6
ROD ASSY. D. FR. CONNECTING	1-C10	45	4	SCREW-WASHER. 3X12	1-F3	83	32
ROD ASSY. D. RR. CONNECTING	1-C10	45	6	SCREW-WASHER. 4X10	1-D10	69	34
ROD B. FR. CONNECTING	1-C10	45	4	SCREW-WASHER. 4X12	1-D10	69	36
ROD COMP. PUSH	1-G11122		10		1-D10	69	35
ROD SET A. STARTER LINK	1-D8	64	3		1-D10	69	35
ROD SET B. STARTER LINK	1-D8	65	10		1-F7	91	35
ROD. ADJUSTING	1-G3	107	22		1-F9	95	34
ROD. CLUTCH LIFTER	1-B11	23	15		1-G11123		22
ROD. PUSH	1-F8	92	5		1-I5	158	26
ROLLER. 15X13	1-C1	27	13	SCREW-WASHER. 4X14	1-G1	103	44
ROLLER. 4X13.8	1-D3	54	26	SCREW-WASHER. 4X16	1-D12	72	19
ROLLER. 6X15	1-C1	27	16	SCREW-WASHER. 4X30	1-F5	87	18
ROTOR COMP	1-C2	28	6	SCREW-WASHER. 4X50	1-F5	87	19
RUBBER A. MOUNTING	1-J12197		6	SCREW-WASHER. 4X6	1-H7	139	30
				SCREW-WASHER. 4X8	1-H7	139	30

## Description Index

Description	Grid	Page	Ref. No.	Description	Grid	Page	Ref. No.
SCREW-WASHER 5X12	1-D10	69	37	SCREW RR COVER	1-K4	205	23
	1-H9	143	12	SCREW SPECIAL 6X8	1-J5	183	18
	1-I3	154	30	SCREW TAP 5X12	1-I5	158	28
	1-J11	194	34	SCREW TAPPET ADJUSTING	1-B7	14	16
	1-K1	199	32	SCREW TAPPING 3X10	1-F3	83	33
	1-K1	199	31	SCREW TAPPING 3X16	1-F11	99	21
	1-K1	199	30	SCREW TAPPING 4X12	1-J5	183	19
SCREW-WASHER 5X16	1-G1	103	45	SCREW TAPPING 4X16	1-J7	187	16
SCREW-WASHER 5X18	1-G1	103	46	SCREW TAPPING 4X25	1-J5	183	20
SCREW-WASHER 5X20	1-F5	87	21	SCREW 5X10	1-G6	113	65
SCREW-WASHER 5X25	1-B3	7	22	SEAL SET FR FORK	1-G4	109	39
	1-B5	11	17	SEAL SET FR SHOCK	1-G4	109	39
SCREW-WASHER 5X28	1-F5	87	22	SEAL AIR CLEANER CASE	1-I4	156	4
SCREW-WASHER 5X32	1-F5	87	23		1-I4	157	4
SCREW-WASHER 5X45	1-F5	87	24	SEAL AIR CLEANER COVER	1-I4	156	4
SCREW-WASHER 6X12	1-H7	139	31		1-I4	157	4
	1-I7	163	28	SEAL DUST	1-G5	111	55
SCREW-WASHER 6X16	1-I7	163	29	SEAL DUST 22X42X7	1-G10	120	16
SCREW-WASHER 6X32	1-I5	158	27	SEAL OIL	1-C7	39	11
SCREW BLEEDER	1-C3	31	10	SEAL OIL 14X24X6	1-C7	39	11
	1-D4	57	18	SEAL PISTON	1-G7	115	20
	1-G7	114	2		1-G12	125	17
	1-G12	125	7	SEAL RUBBER	1-J8	188	2
SCREW FLAT 4X12	1-F7	91	34	SEAL VALVE STEM	1-B6	12	1
	1-F9	95	33		1-E1	74	2
	1-H7	139	29	SEAL WATER PIPE	1-D5	58	24
SCREW FLAT 6X16	1-D1	51	28		1-E2	77	20
	1-D3	54	27	SEAT ASSY	1-H8	141	2
SCREW FLAT 6X40	1-G6	113	66	SEAT FUEL TANK	1-J12	196	1
SCREW OVAL 4X8	1-F3	83	30	SEAT LOCK	1-J1	175	6
	1-F11	99	23	SEAT SPRING	1-G3	107	7
SCREW OVAL 5X20	1-F3	83	31	SEAT VALVE SPRING INNER	1-B7	14	14
SCREW PAN	1-D8	65	14	SEAT VALVE SPRING OUTER	1-B7	14	13
	1-D8	65	15	SENDING UNIT WATER TEMPERATURE	1-D4	57	17
SCREW PAN 2X6	1-F3	82	25	SENSOR ANGLE	1-F12	100	6
SCREW PAN 3X10	1-F3	83	28	SENSOR FUEL RESERVE	1-H7	139	20
SCREW PAN 3X20	1-F3	83	29	SENSOR STOP & TAILLIGHT	1-J3	179	7
SCREW PAN 3X6	1-F7	91	33	SHAFT ASSY DRIVE	1-I12	173	12
	1-F9	94	32	SHAFT COMP GEARSHIFT FORK	1-D2	52	4
SCREW PAN 4X10	1-D12	72	18	SHAFT SET CROSS	1-D6	61	12
SCREW PAN 4X15	1-I5	158	23	SHAFT FUEL TANK PIVOT	1-H6	137	6
SCREW PAN 4X5	1-H12	149	31	SHAFT SHIFT DRUM STOPPER PIVOT	1-D2	53	13
SCREW PAN 4X8	1-F5	87	20	SHAFT VALVE ROCKER ARM	1-B6	13	7
SCREW PAN 5X10	1-G6	112	65	SHIM A PINION GEAR	1-H3	131	17
SCREW PAN 5X14	1-G1	103	42	SHIM A STOPPER PIN	1-H3	131	16
SCREW PAN 5X16	1-G1	103	43	SHIM B PINION GEAR	1-H3	131	17
SCREW PAN 5X28	1-B3	7	22	SHIM B STOPPER PIN	1-H3	131	16
	1-B5	11	17	SHIM C PINION GEAR	1-H4	132	17
SCREW PAN 5X8	1-B3	6	21	SHIM D PINION GEAR	1-H4	132	17
	1-B5	11	16	SHIM E PINION GEAR	1-H4	132	17
SCREW PAN 6X12	1-C2	29	11	SHIM F PINION GEAR	1-H4	132	17
	1-I7	163	27	SHIM G PINION GEAR	1-H4	132	17
SCREW PAN 6X8	1-I7	163	26	SHIM COUNTERSHAFT	1-D6	61	9
SCREW RR COVER	1-K3	202	11	SHIM CROSS SHAFT	1-D6	61	11

## Description Index

Description	Grid	Page	Ref. No.	Description	Grid	Page	Ref. No.
SHIM DAMPING	1-E9	119	12	SPRING NEUTRAL STOPPER	1-D2	53	15
SHOCK ABSORBER ASSY L FR	1-G4	109	41	SPRING OIL LOCK	1-G3	106	4
SHOCK ABSORBER ASSY L RR	1-J2	176	16	SPRING OVERFLOW TUBE COVER	1-J9	191	1
SHOCK ABSORBER ASSY R FR	1-G3	106	1	SPRING PAD	1-G7	115	8
SHOCK ABSORBER ASSY R RR	1-J1	175	1		1-G12	124	4
SHROUD COMP	1-J9	191	3	SPRING PISTON	1-G3	107	17
SLEEVE	1-G7	115	11	SPRING PROPELLER SHAFT	1-I12	172	6
	1-G12	125	13	SPRING REBOUND	1-G3	107	12
SLEEVE FR CALIPER BRACKET	1-G7	115	14	SPRING RR BRAKE	1-I8	165	12
SLIDER STEP	1-I9	166	6	SPRING RR SHOCK	1-J1	175	2
SOCKET COMP A	1-F2	80	5	SPRING RR VACUUM PISTON	1-D11	71	10
SOCKET COMP B	1-F2	80	6	SPRING SHIFT DRUM STOPPER	1-D2	53	14
SOCKET COMP ILLUMINATION	1-F2	81	10	SPRING SIDE STAND	1-I10	169	6
	1-F2	81	16	SPRING SLAVE CYLINDER	1-C3	31	8
SOCKET COMP TAILLIGHT	1-J6	185	4	SPRING STARTING CLUTCH ROLLER	1-C1	26	6
SOCKET COMP TURN SIGNAL	1-J4	181	5	SPRING STEP RETURN	1-I9	166	5
	1-J5	182	12	SPRING STOP SWITCH	1-I8	165	9
	1-J5	182	9	SPRING VACUUM TUBE COVER	1-K4	205	16
	1-J5	183	14	SPRING VALVE INNER	1-B6	13	11
SPACER A RING GEAR	1-H4	132	19	SPRING VALVE OUTER	1-B6	13	10
SPACER B RING GEAR	1-H4	132	19	SPROCKET COMP OIL PUMP DRIVEN	1-B11	22	1
SPACER C RING GEAR	1-H4	132	19	SPROCKET CAM	1-B7	15	1
SPACER D RING GEAR	1-H4	133	19	SPROCKET OIL PUMP DRIVE	1-B11	22	1
SPACER E RING GEAR	1-H4	133	19	SPROCKET OIL PUMP DRIVEN	1-C5	34	4
SPACER F RING GEAR	1-H4	133	19	STABILIZER FR SHOCK	1-G5	110	48
SPACER G RING GEAR	1-H4	133	19	STAND COMP MAIN	1-I10	169	1
SPACER H RING GEAR	1-H4	133	19	STATOR COMP	1-C2	28	7
SPACER I RING GEAR	1-H4	133	19	STAY ASSY INSTRUMENT	1-F2	81	7
SPACER RR BRAKE SIDE	1-H1	127	2	STAY COUPLER HOLDER CASE	1-G1	102	27
SPARK UNIT	1-J3	178	3	STAY FR TURN SIGNAL	1-J5	182	10
	1-J3	178	1	STAY FUEL TANK SUPPORT	1-H7	138	12
SPEEDOMETER ASSY	1-F2	81	8	STAY HORN	1-F12	100	9
SPINDLE COMP GEARSHIFT	1-D2	53	16	STAY L HEADLIGHT	1-F1	79	11
SPRING	1-D11	71	11	STAY L RADIATOR LOWER	1-J12	197	4
	1-D11	71	12	STAY MASTER CYLINDER OIL CUP	1-G11	123	17
SPRING A PURGE TUBE COVER	1-K4	204	13	STAY R HEADLIGHT	1-F1	79	10
SPRING B PURGE TUBE COVER	1-K4	205	15	STAY RR COVER	1-D6	60	2
SPRING C PURGE TUBE COVER	1-K4	204	14		1-D6	60	1
SPRING G MAIN STAND	1-I11	170	14	STAY RR TURN SIGNAL	1-J5	183	15
SPRING CAM CHAIN TENSIONER	1-B8	16	4	STAY RUBBER LOWER	1-H3	131	4
SPRING CARBON BRUSH	1-C4	32	3	STAY STARTER MAGNETIC SWITCH	1-H10	145	13
SPRING CHARGE TUBE COVER	1-K4	204	12	STEM COMP STEERING	1-F12	101	19
SPRING CLICK	1-G4	108	23	STOPPER SPRING	1-I12	173	7
SPRING CLUTCH	1-B11	23	14	STOPPER SPRING SEAT	1-J1	175	7
SPRING COIL	1-J1	175	9	STOPPER STEP RUBBER	1-I9	166	7
SPRING CONTROL LEVER	1-F6	89	20	STRAINER ASSY FUEL	1-I2	152	5
	1-F8	93	19	STRAINER COMP FUEL	1-I2	152	6
SPRING DAMPER CAM	1-I12	172	4	STRAINER OIL	1-C5	34	6
SPRING FR SHOCK ABSORBER	1-G3	106	2	SUB FRAME COMP	1-J12	197	10
SPRING FR VACUUM PISTON	1-D11	71	9	SUB HARNESS HORN	1-F12	100	2
SPRING FUEL TUBE COVER	1-I2	152	4	SUB TANK FUEL	1-H7	138	15
	1-J9	191	1	SUB WIRE CANCEL	1-F12	100	1
SPRING GEARSHIFT ARM	1-D2	53	17	SUPPORT SENSOR	1-F12	101	17
SPRING GEARSHIFT RETURN	1-D2	53	18		1-F12	101	18



### Description Index

Description	Grid	Page	Ref. No.	Description	Grid	Page	Ref. No.
WIRE COMP. R TURN SIGNAL	1-J5	182	12				
	1-J5	183	12				
WRENCH, EYE, 10X12	1-K2	201	8				
WRENCH, EYE, 27MM	1-K2	201	18				
WRENCH, HEX, 5MM	1-K2	200	5				
WRENCH, HEX, 6MM	1-K2	200	6				
WRENCH, HEX, 8MM	1-K2	200	7				
WRENCH, PLUG	1-K2	200	4				

### Description Index

Description	Grid	Page	Ref. No.	Description	Grid	Page	Ref. No.
-------------	------	------	----------	-------------	------	------	----------